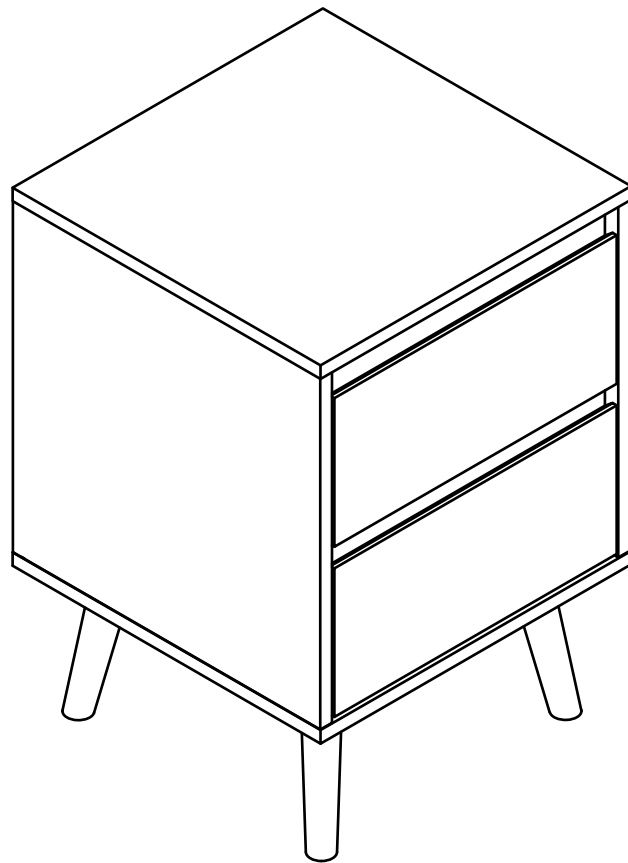


KLAST

www.klasthome.com



KEMI

Ref: FF-0004








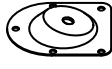


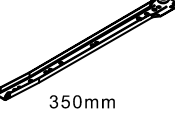

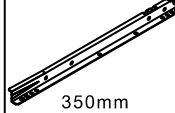
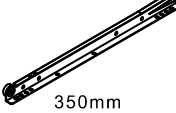
1/8

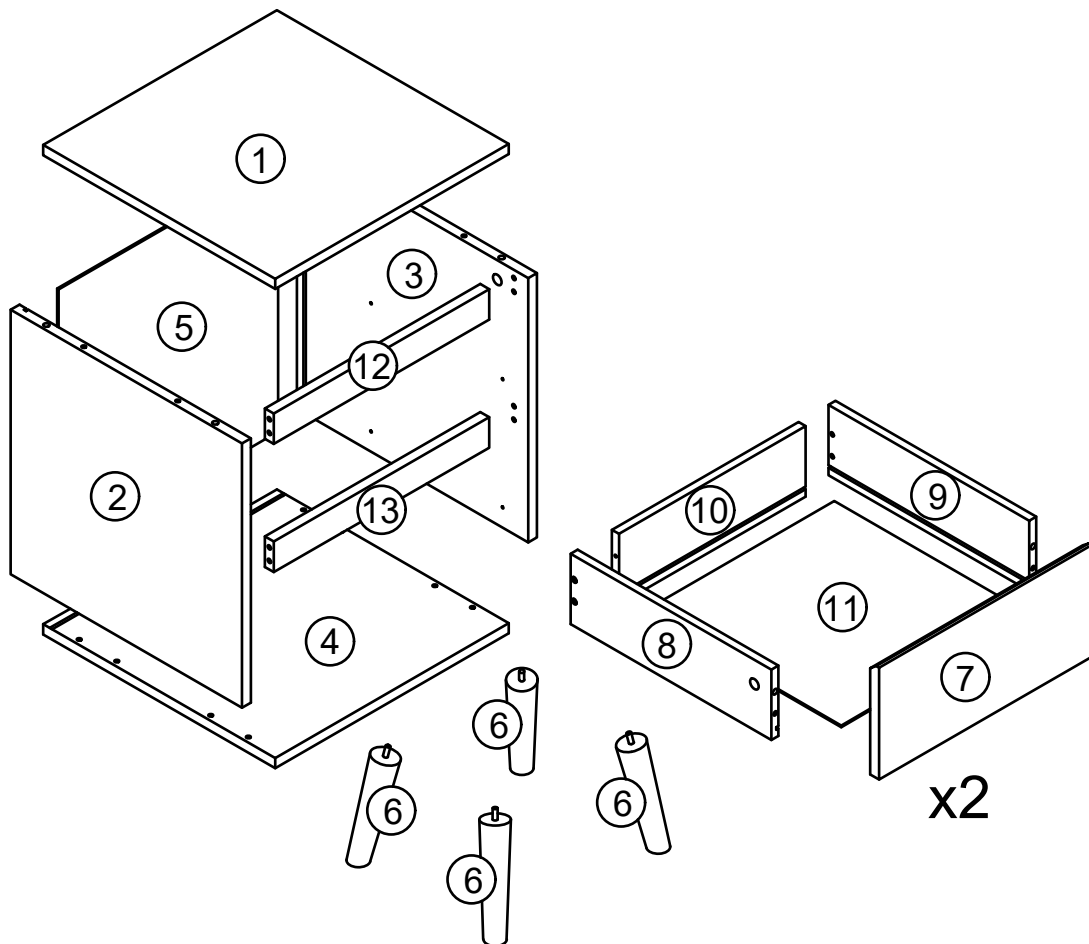
-V1.0-

KLAST

www.klathome.com

MATERIAL

 6x35mm Ax8PCS	 Ø15x9mm Bx8PCS	 4x40mm Cx12PCS	 6x30mm Dx20PCS	 3x12mm Ex24PCS	 Ø20mm Fx4PCS	 4x14mm Gx20PCS
 Hx4PCS	 3x14mm Ix4PCS	 Jx4PCS	 350mm CLx2PCS	 350mm CRx2PCS	 350mm DLx2PCS	 350mm DRx2PCS



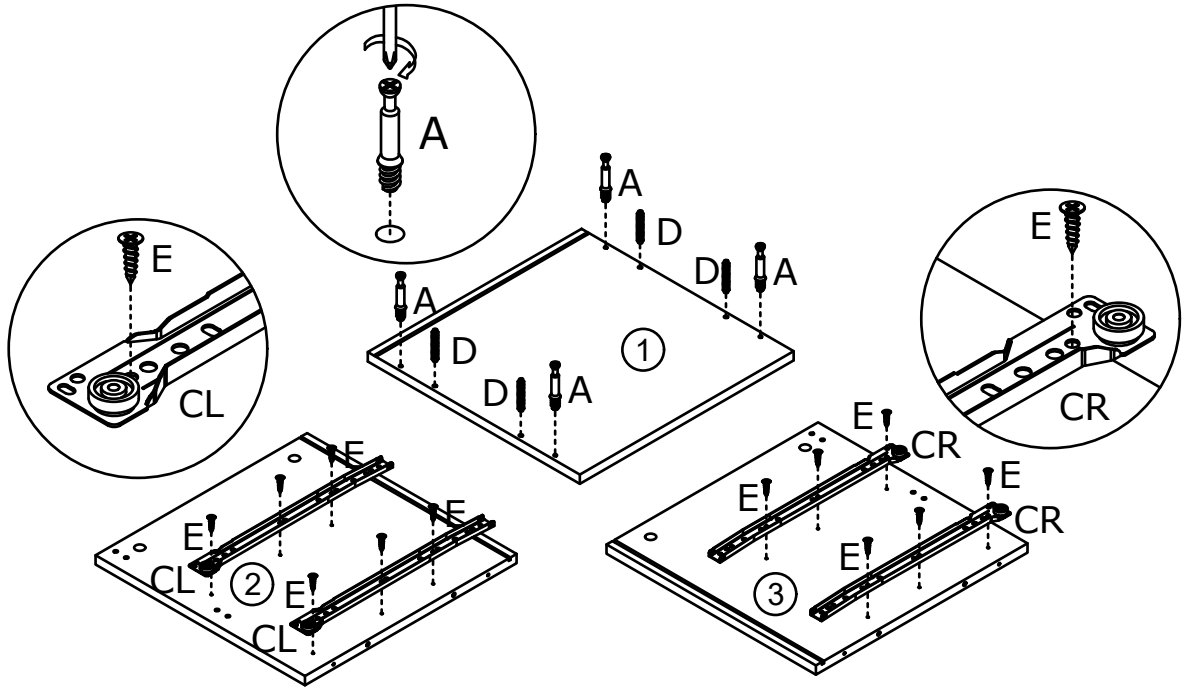
KEMİ

Ref: FF-0004

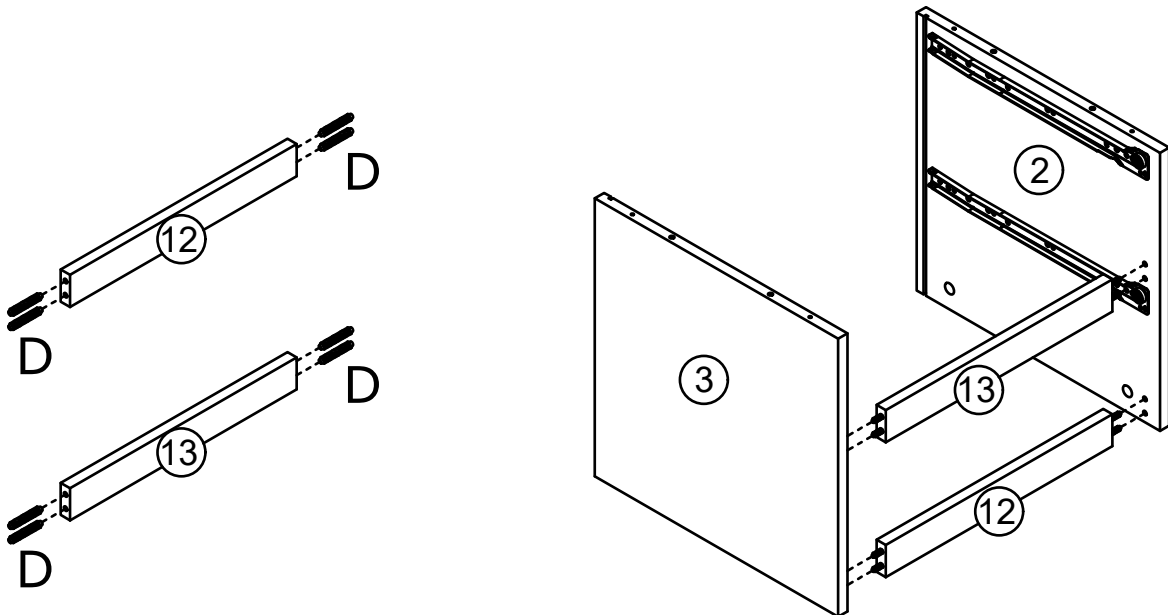
KLAST

www.klasthome.com

STEP 1



STEP 2



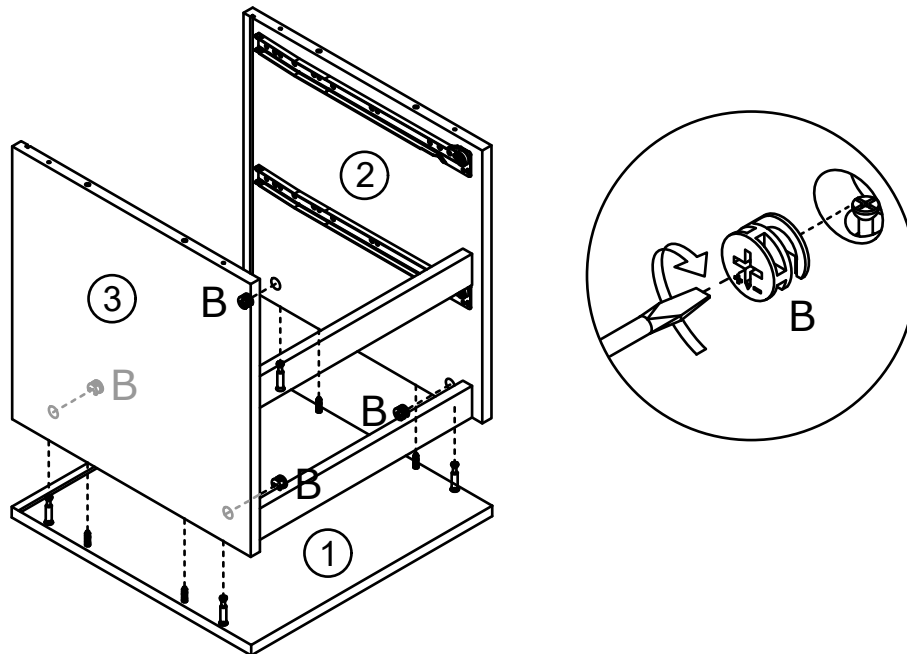
KEMI

Ref: FF-0004

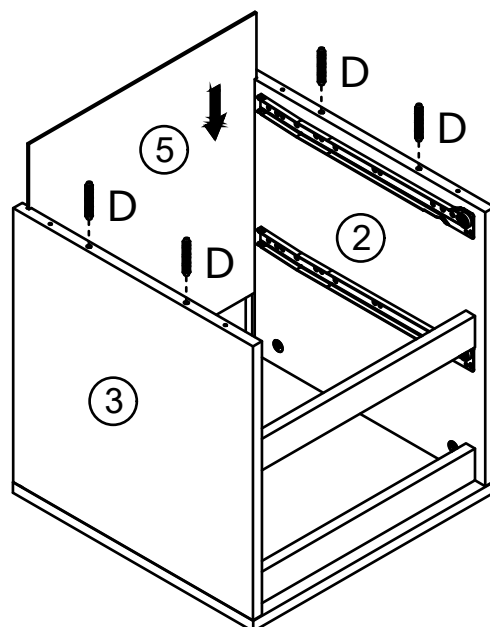
KLAST

www.klasthome.com

STEP 3



STEP 4



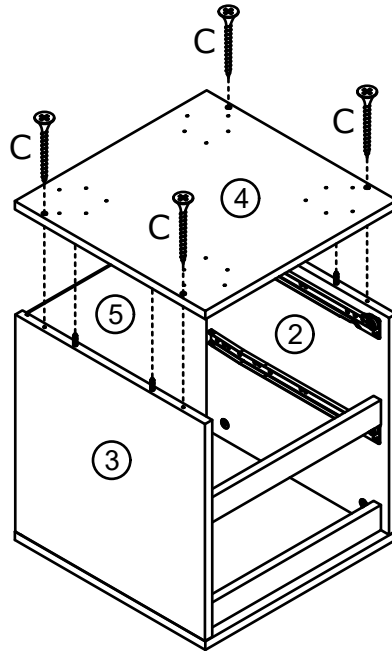
KEMI

Ref: FF-0004

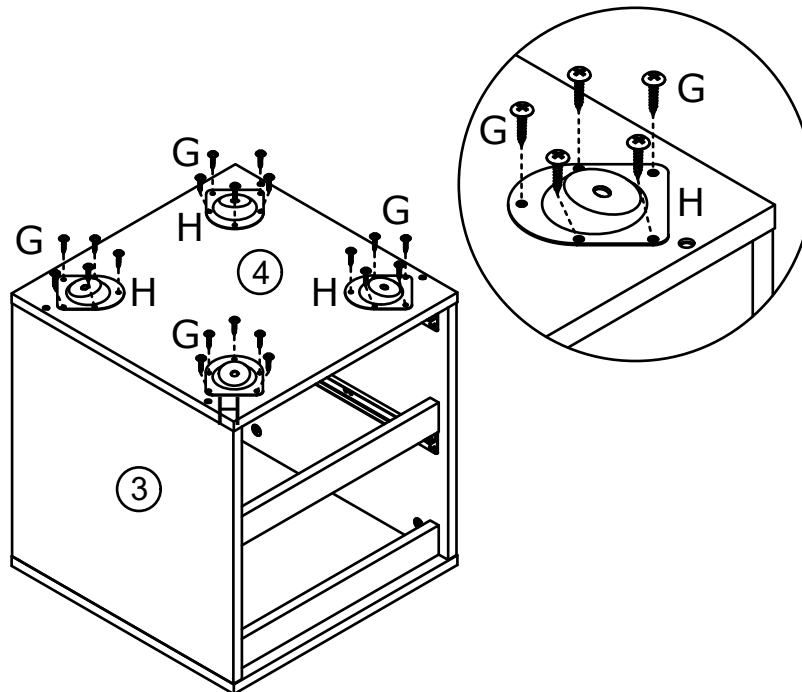
KLAST

www.klasthome.com

STEP 5



STEP 6



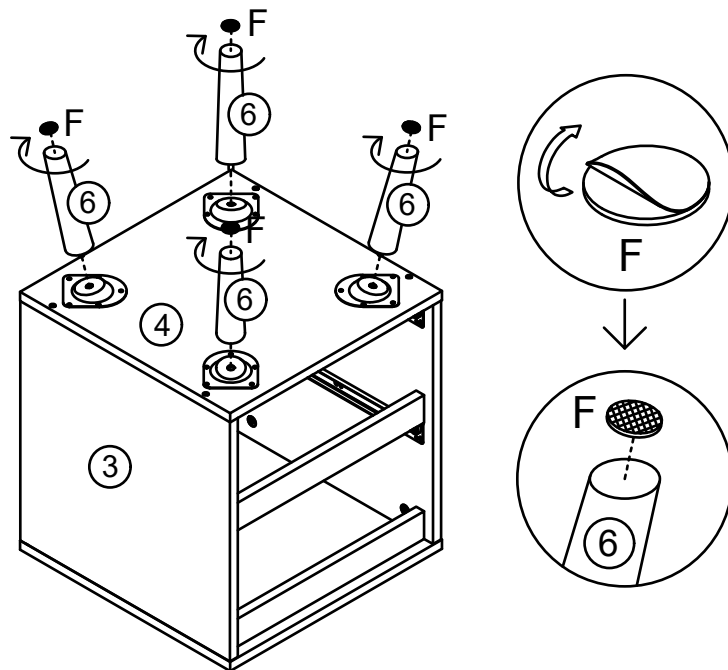
KEMI

Ref: FF-0004

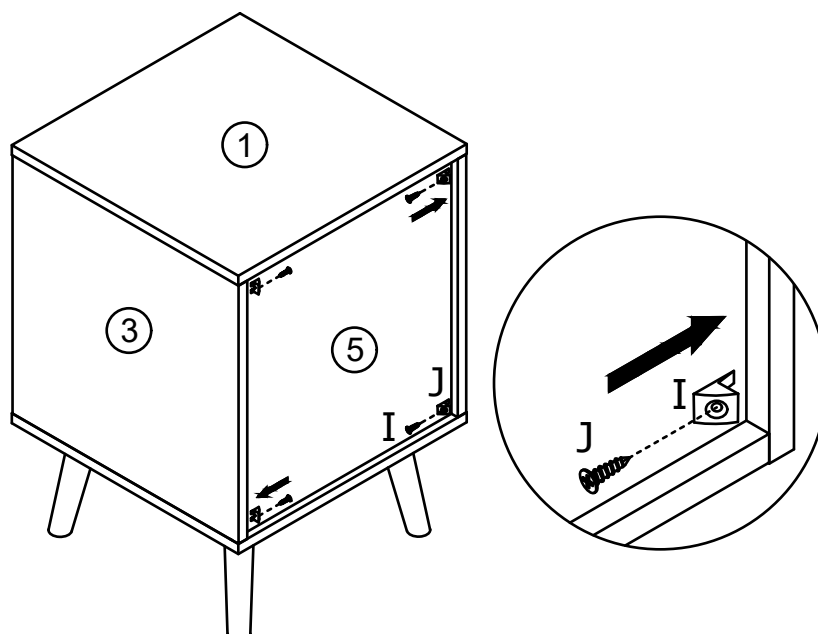
KLAST

www.klasthome.com

STEP 7



STEP 8



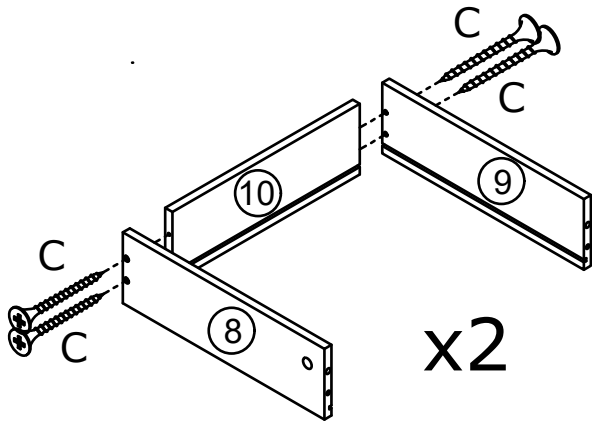
KEMI

Ref: FF-0004

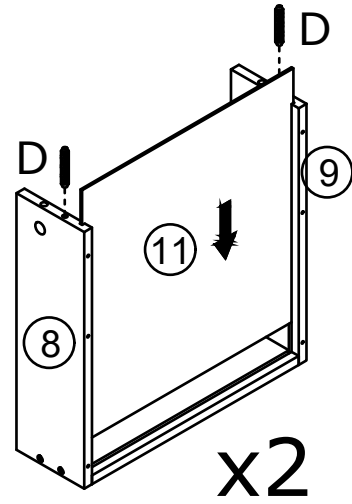
KLAST

www.klasthome.com

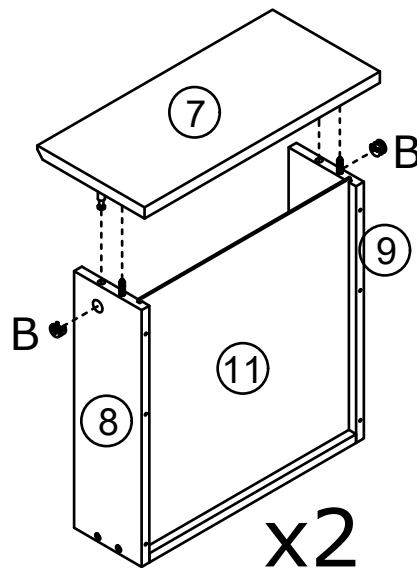
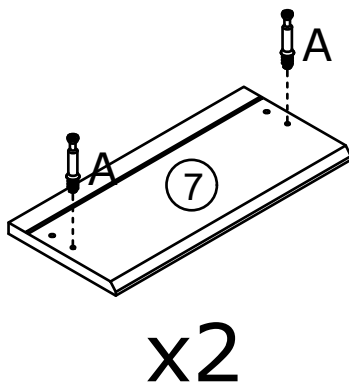
STEP 9



STEP 10



STEP 11



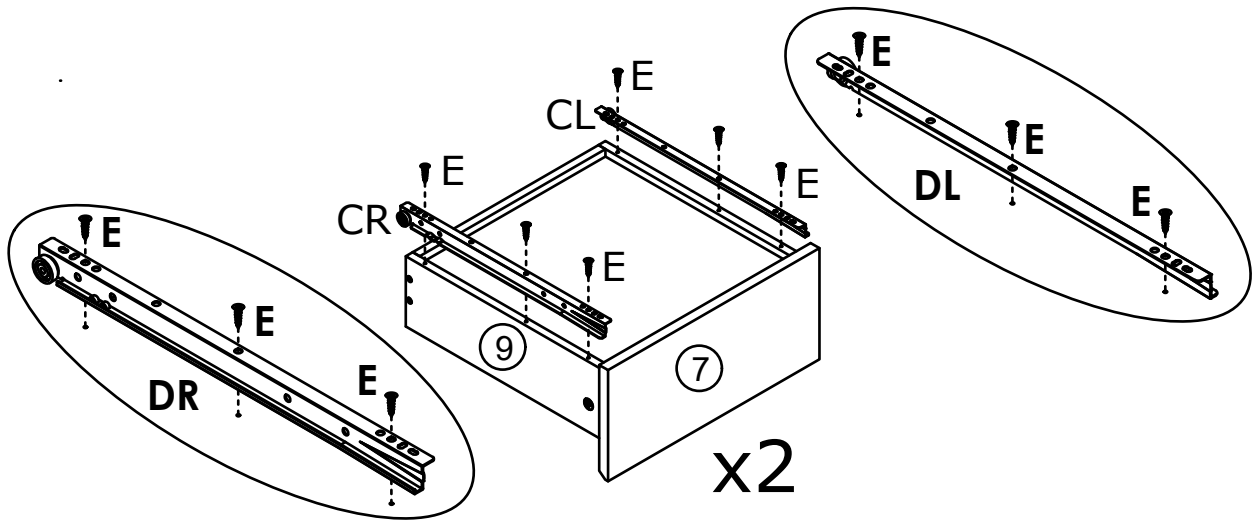
KEMI

Ref: FF-0004

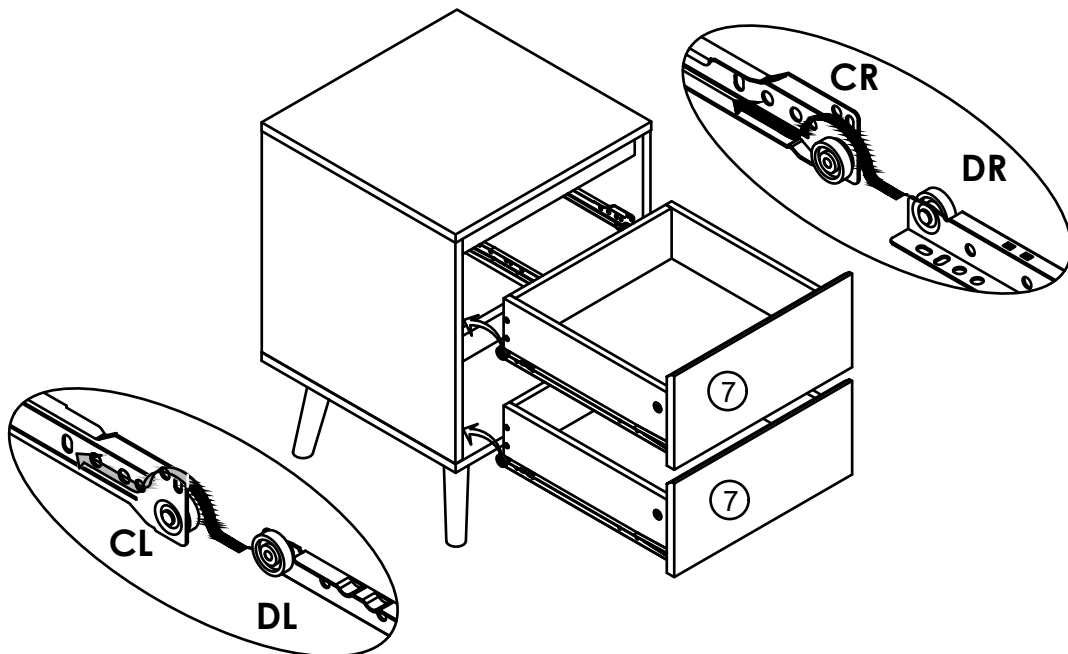
KLAST

www.klasthome.com

STEP 12



STEP 13



KEMI

Ref: FF-0004