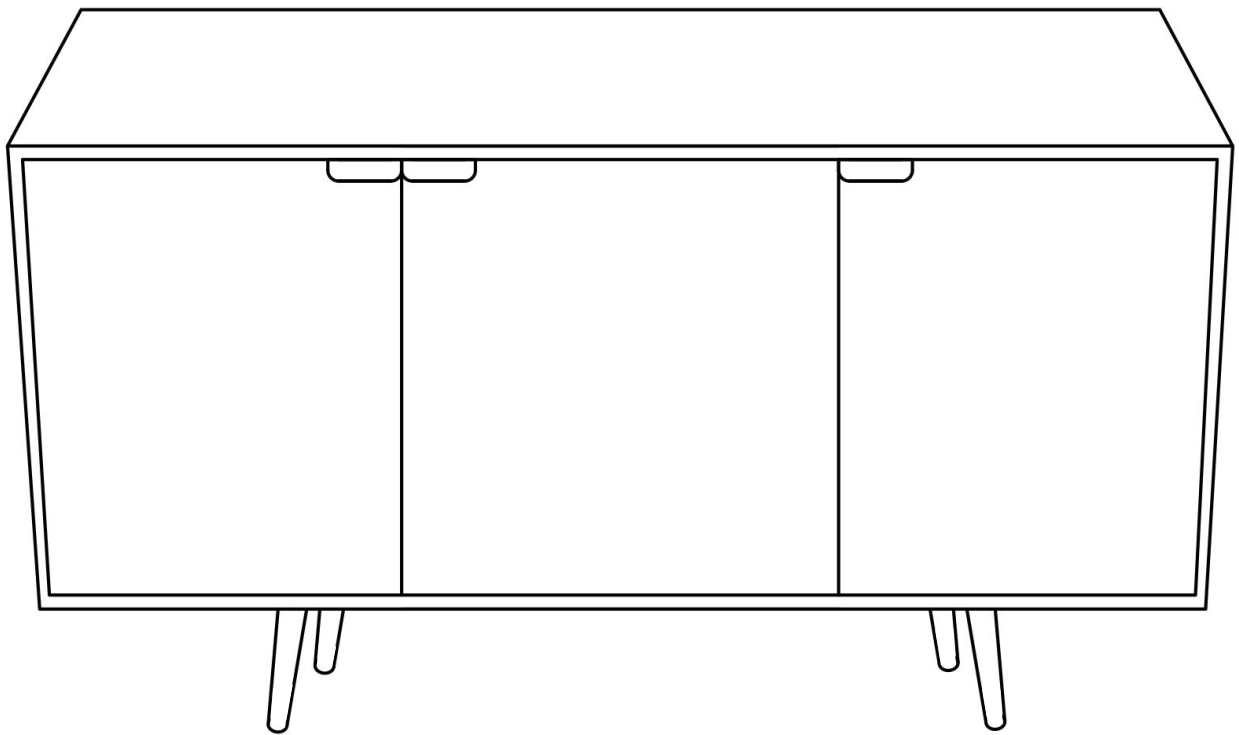


KLAST

www.klasthome.com



ARAI

Ref: GN-0012

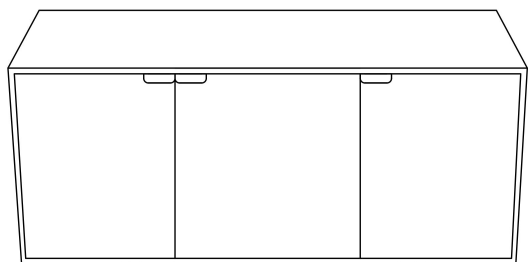
1/3

-V1.0-

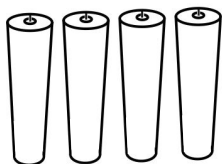
KLAST

www.klasthome.com

MATERIAL



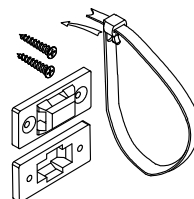
A x 1 PC



B x 5 PC

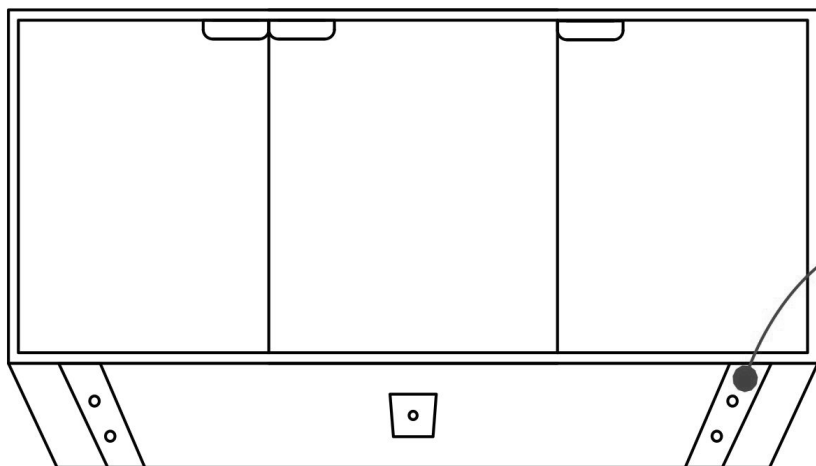


CENTRAL LEG



D x 2 PC

STEP 1



TO TIGHTEN THE LEG,
ROTATE THE LEG
IN A CIRCLE

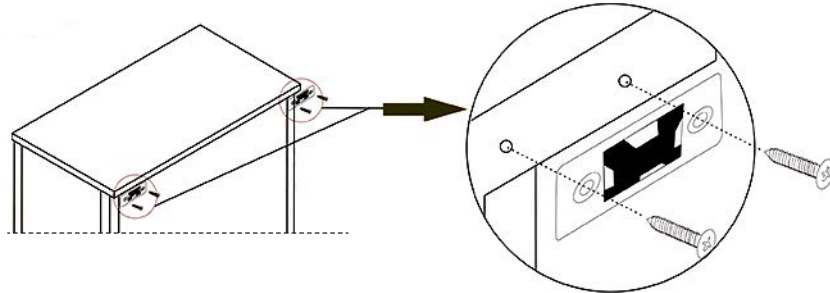
ARAI

Ref: GN-0012

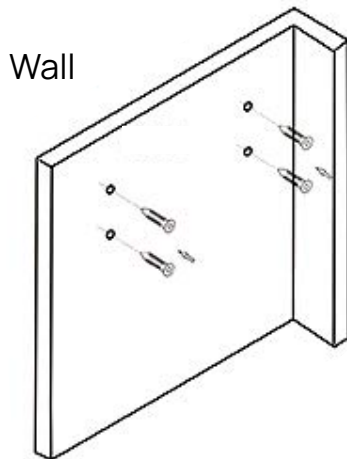
KLAST

www.klasthome.com

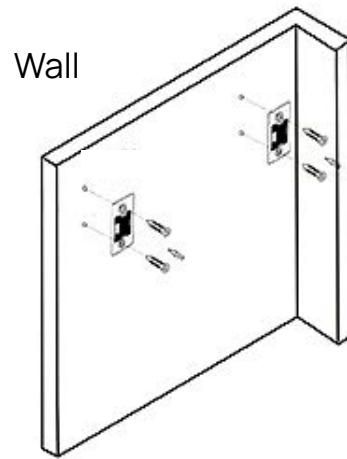
STEP 2



STEP 3



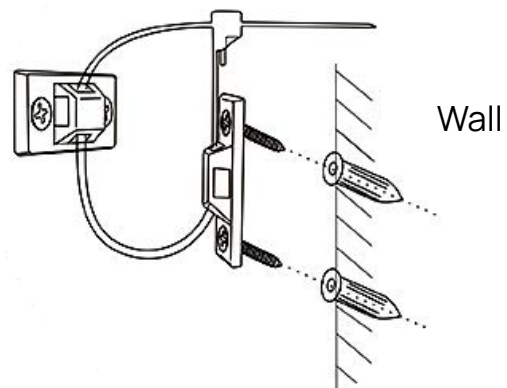
STEP 4



STEP 5

⚠ OBLIGATORY FIX ON THE WALL

The needed hardware for the junction wall/furniture depends of the nature of the wall and is not provide.



ARAI

Ref: GN-0012