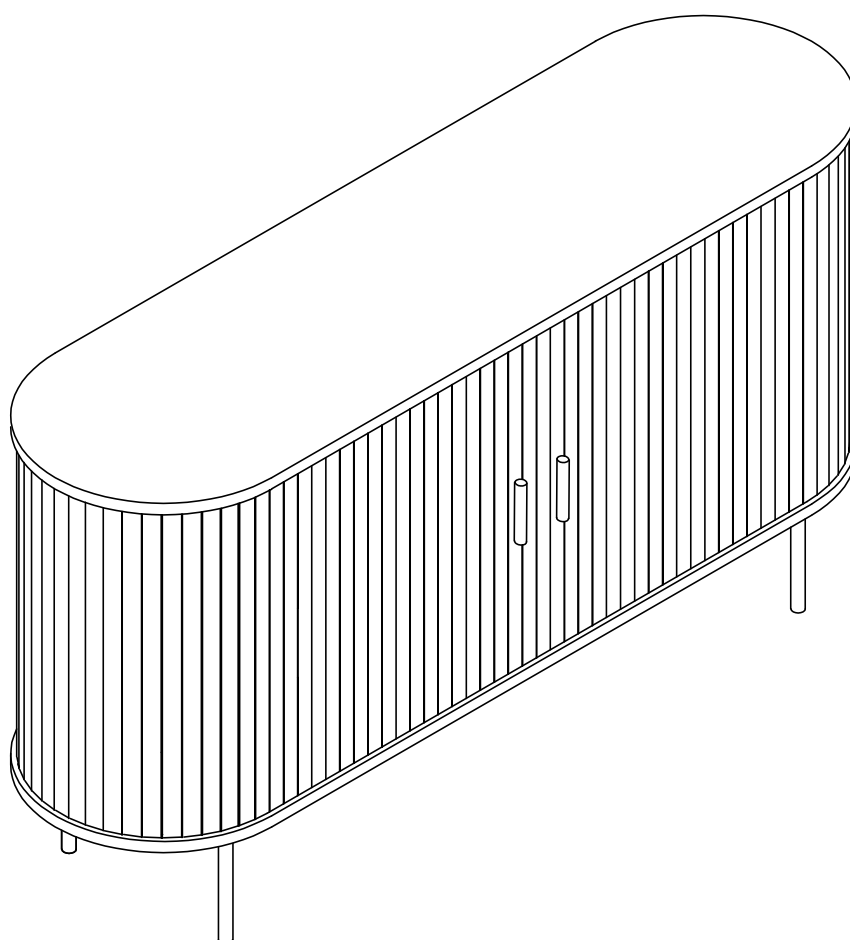


# KLAST

[www.klasthome.com](http://www.klasthome.com)



## BREDA

Ref: HT-0013

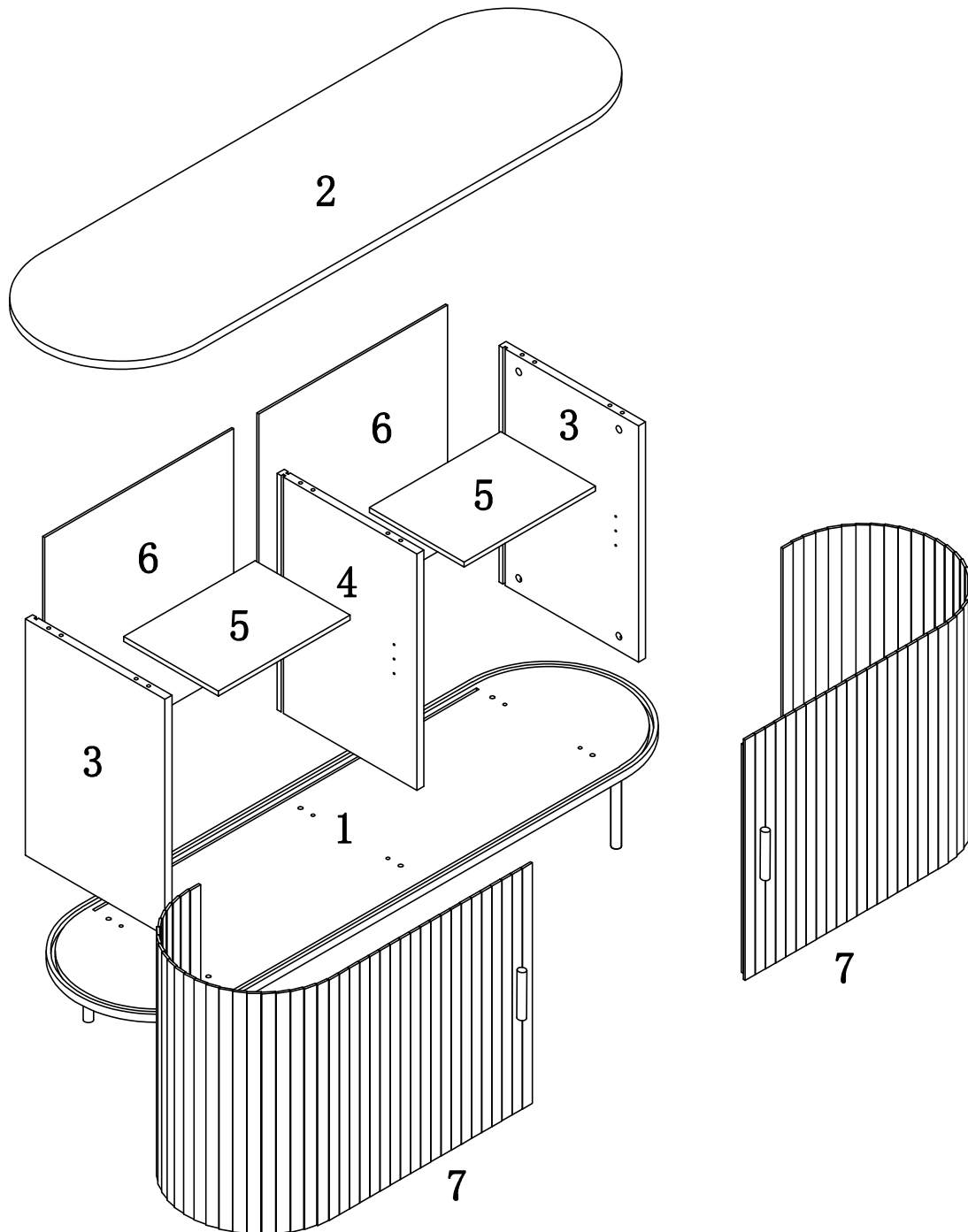
1/12

-V1.0-

# KLAST

www.klasthome.com

## MATERIAL



## BREDA

Ref: HT-0013

2/12

-V1.0-

# KLAST

www.klasthome.com

## MATERIAL

1	1	1400*400*18MM
2	1	1400*400*18MM
3	2	353*520*18MM
4	1	353*520*18MM
5	2	471*335*15MM
6	2	483*530*5MM
7	2	1131*533*10MM

## BREDA

Ref: HT-0013

3/12

-V1.0-

# KLAST

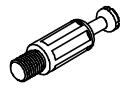
www.klasthome.com

## MATERIAL



Ø15x12

A x12 PC



M6x35

B x12 PC



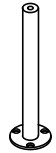
Ø8x40

C x12 PC



M3,5x15

D x8 PC



E x5 PC



F x15 PC



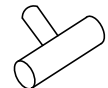
G x1 PC



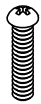
H x8 PC



I x8 PC



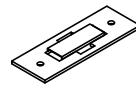
J x2 PC



K x2 PC



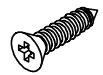
L x4 PC



M x4 PC



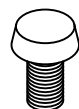
N x4 PC



O x4 PC



P x2 PC



Q x5

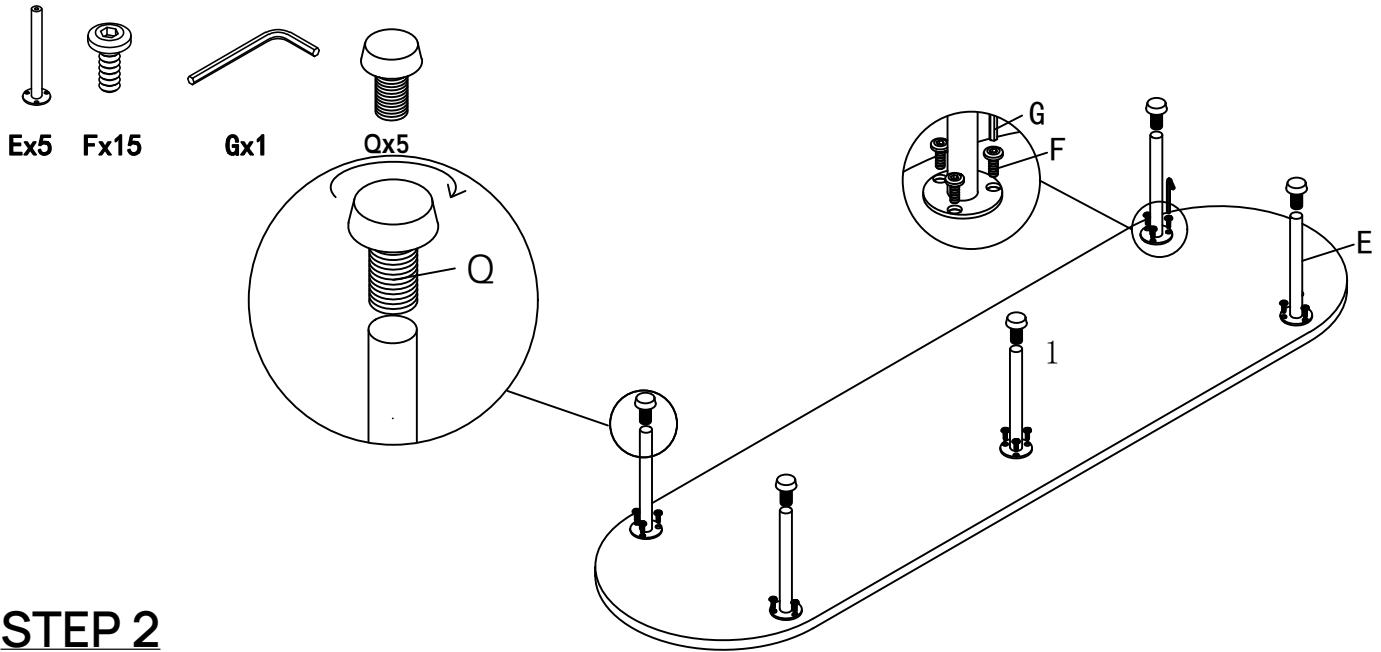
## BREDA

Ref: HT-0013

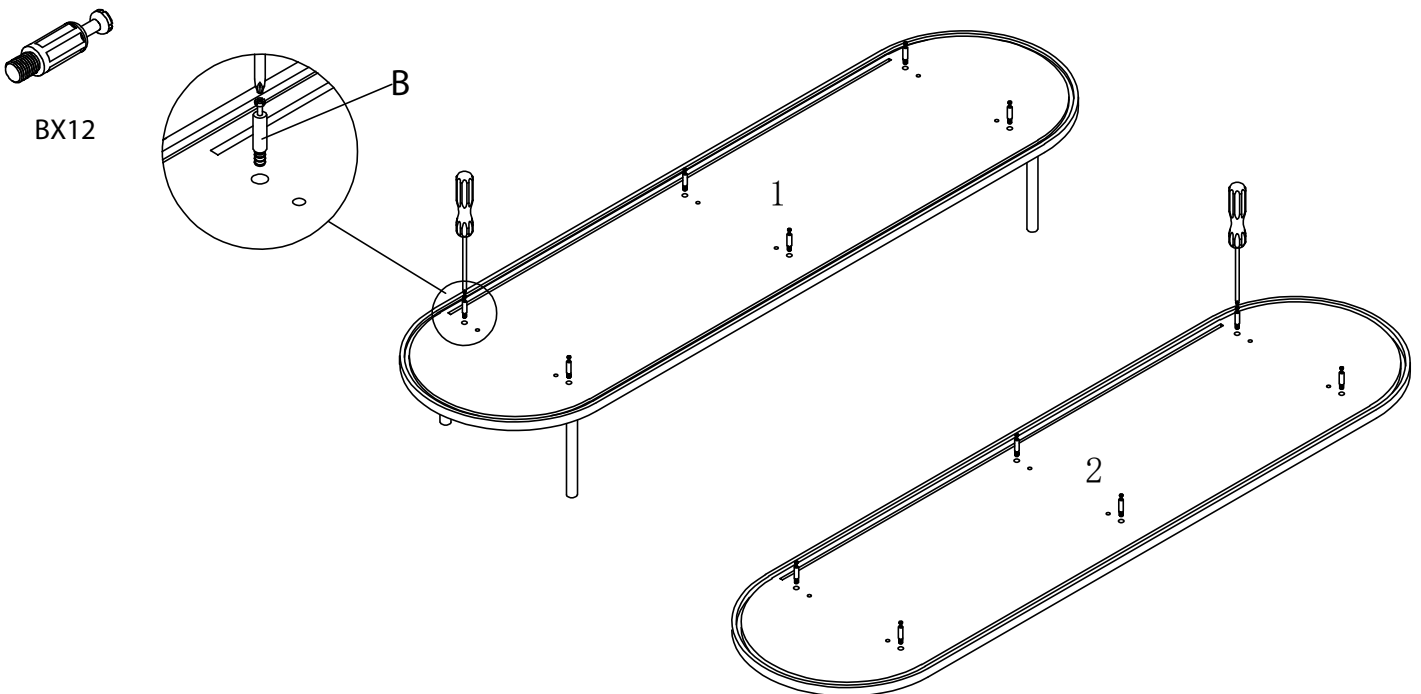
# KLAST

www.klasthome.com

## STEP 1



## STEP 2



# BREDA

Ref: HT-0013

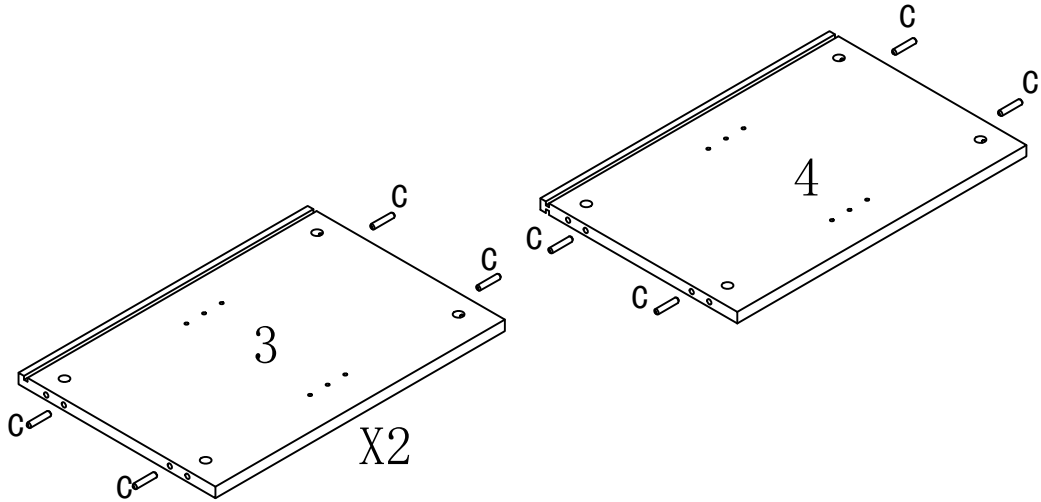
# KLAST

www.klasthome.com

## STEP 3



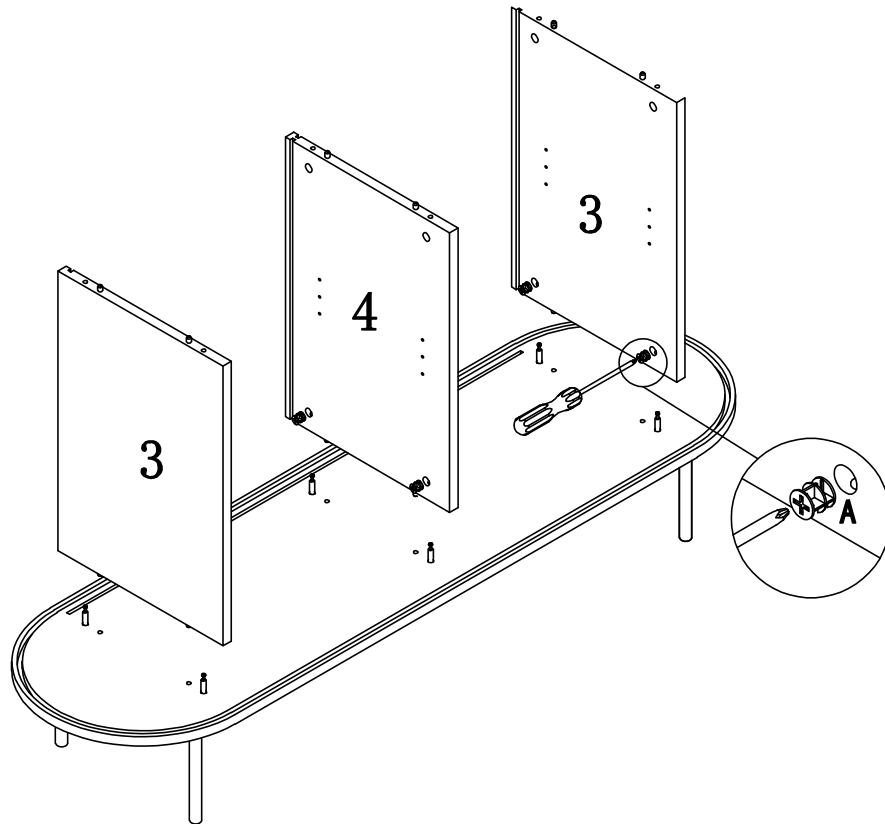
CX12



## STEP 4



AX6



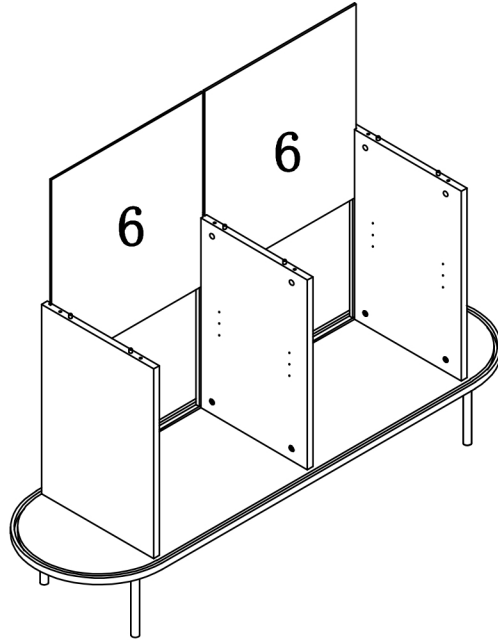
# BREDA

Ref: HT-0013

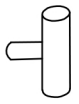
# KLAST

www.klasthome.com

## STEP 5



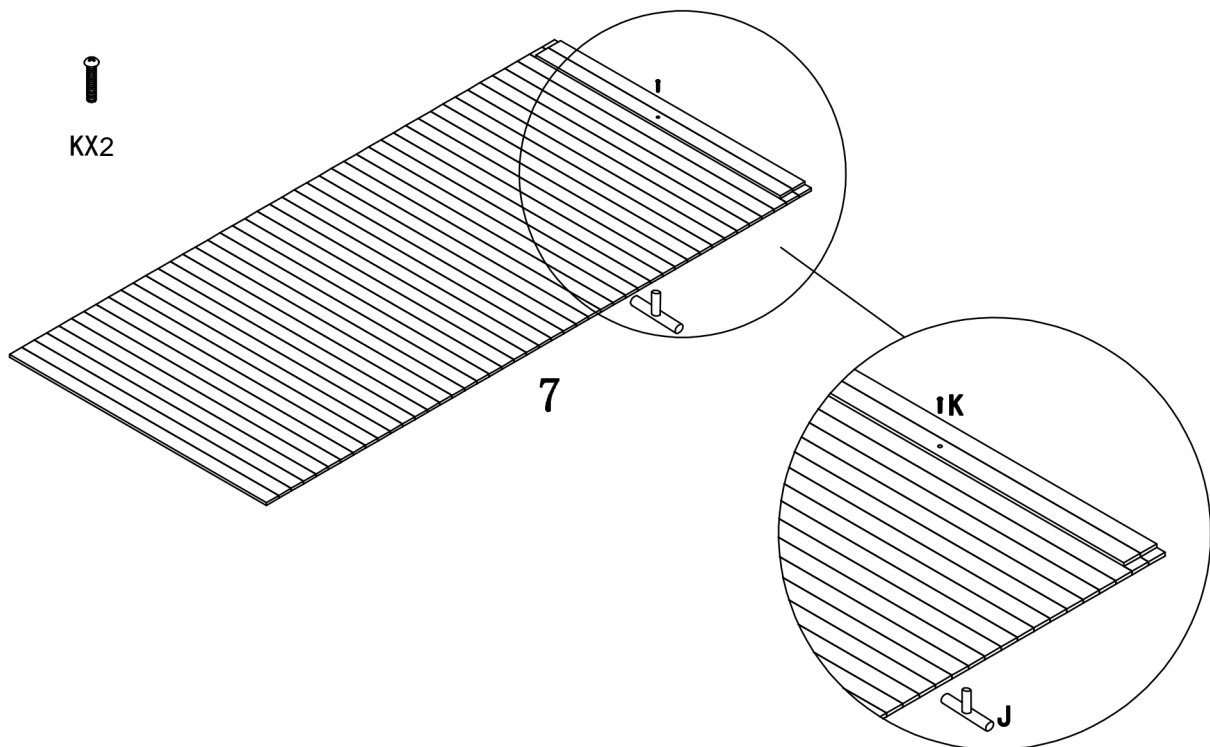
## STEP 6



JX2



KX2



# BREDA

Ref: HT-0013

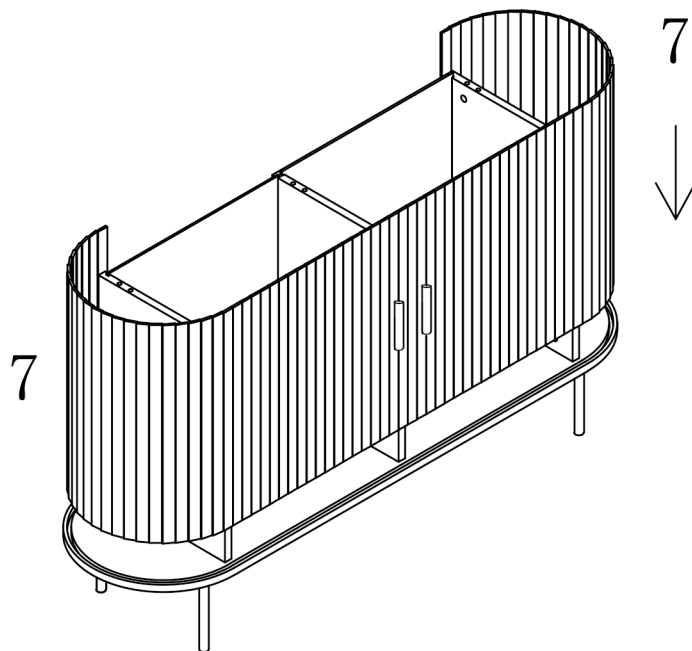
7/12

-V1.0-

# KLAST

www.klasthome.com

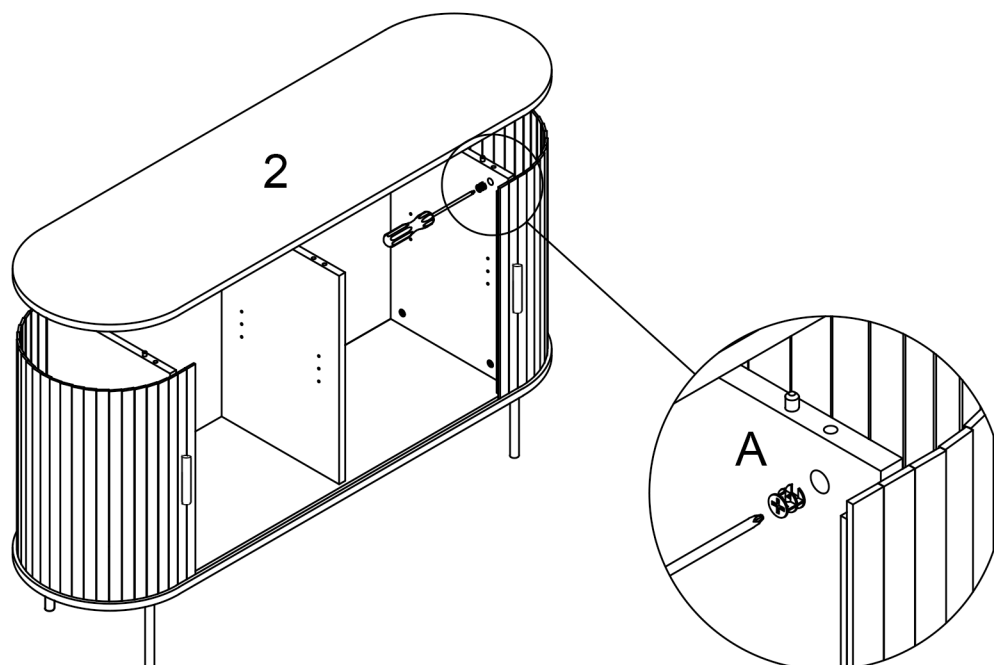
## STEP 7



## STEP 8



AX6



# BREDA

Ref: HT-0013



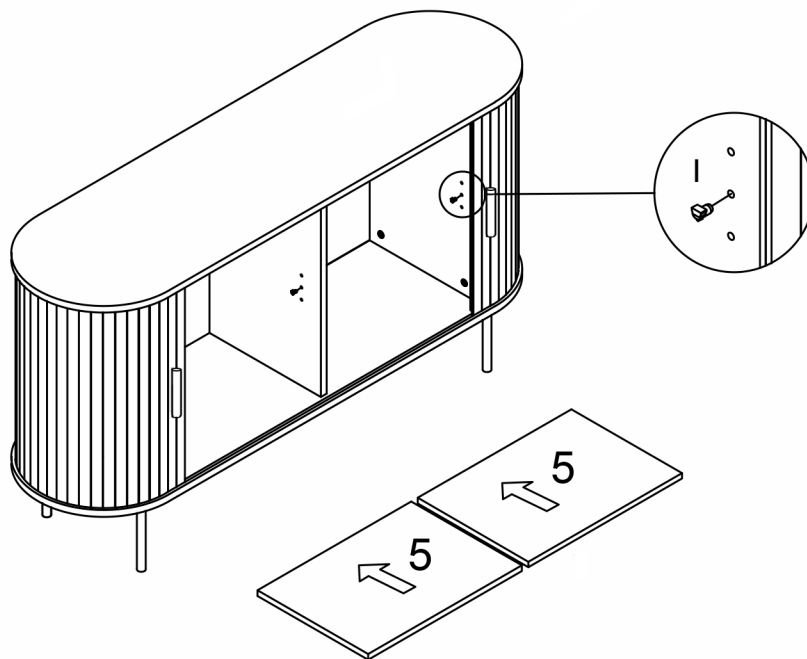
# KLAST

www.klasthome.com

## STEP 9



1x8



## BREDA

Ref: HT-0013

9/12

-V1.0-

# KLAST

www.klathome.com

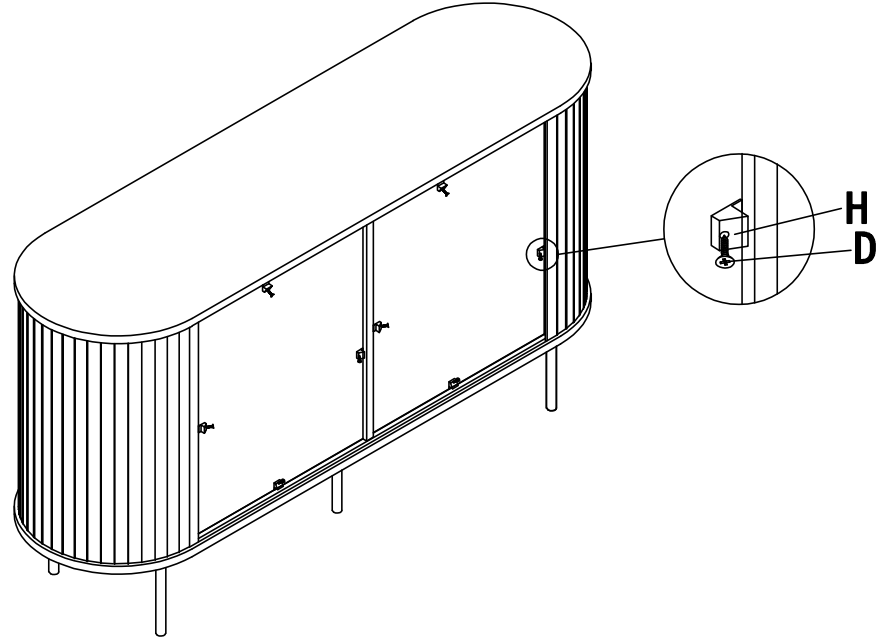
## STEP 10



DX8



HX8



## STEP 11

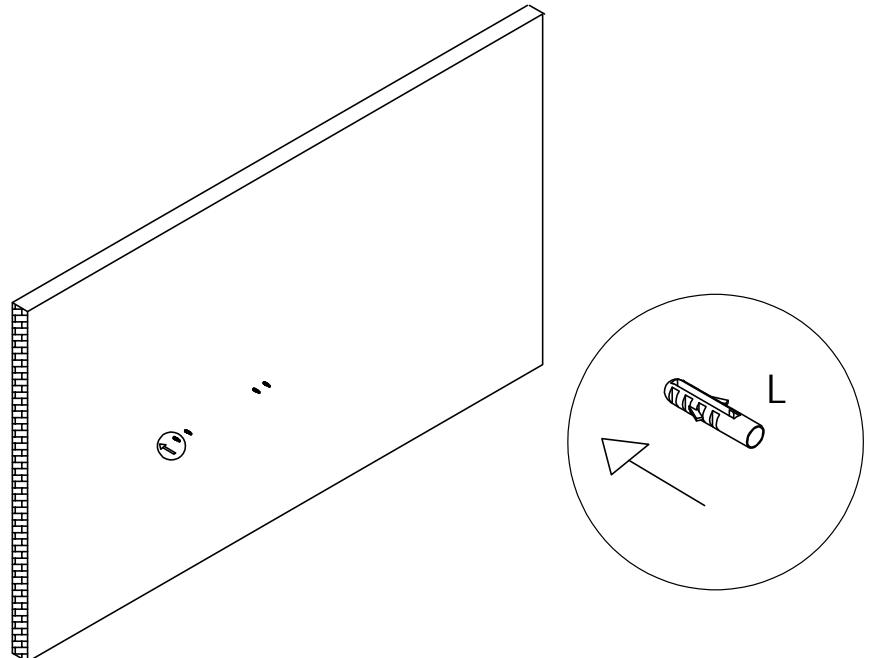


Lx4PC

### OBLIGATORY FIX ON THE WALL

To avoid the accidental tip-over of the furniture, the fixing of the furniture on the wall is mandatory.

The needed hardware for the junction wall/furniture, depending of the nature of the wall, is not provided.



# BREDA

Ref: HT-0013

10/12

-V1.0-

# KLAST

www.klathome.com

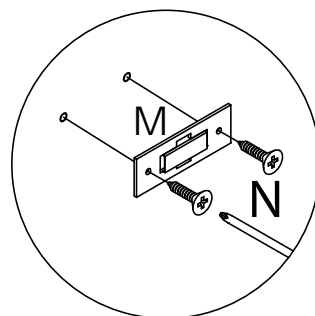
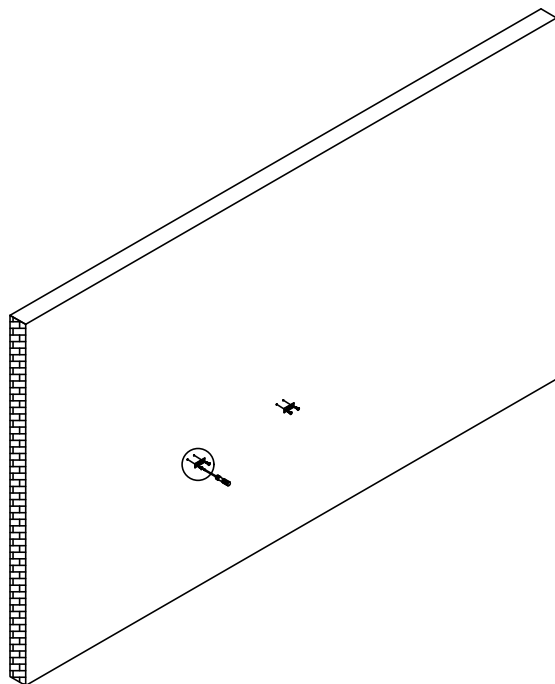
## STEP 12



Mx2



Nx4



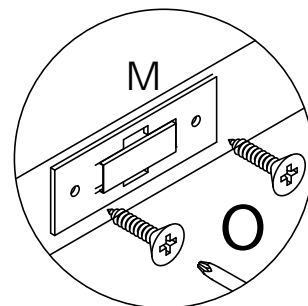
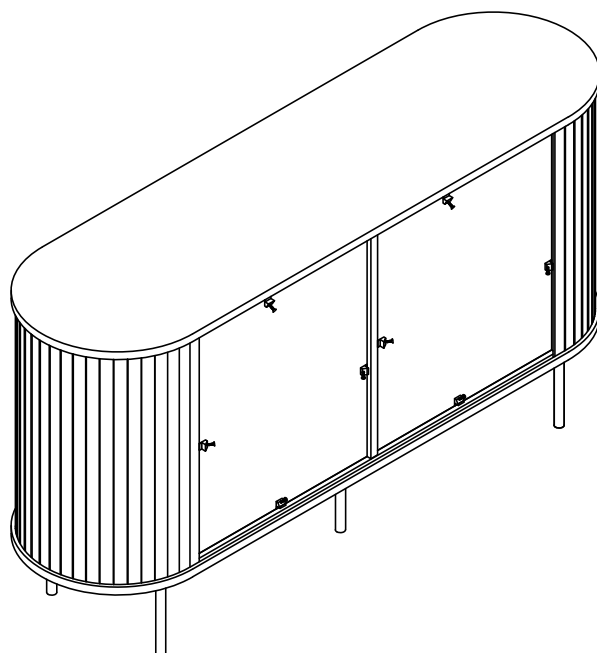
## STEP 13



Mx2



Ox4



# BREDA

Ref: HT-0013

11/12

-V1.0-

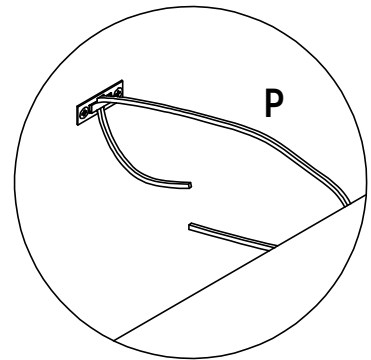
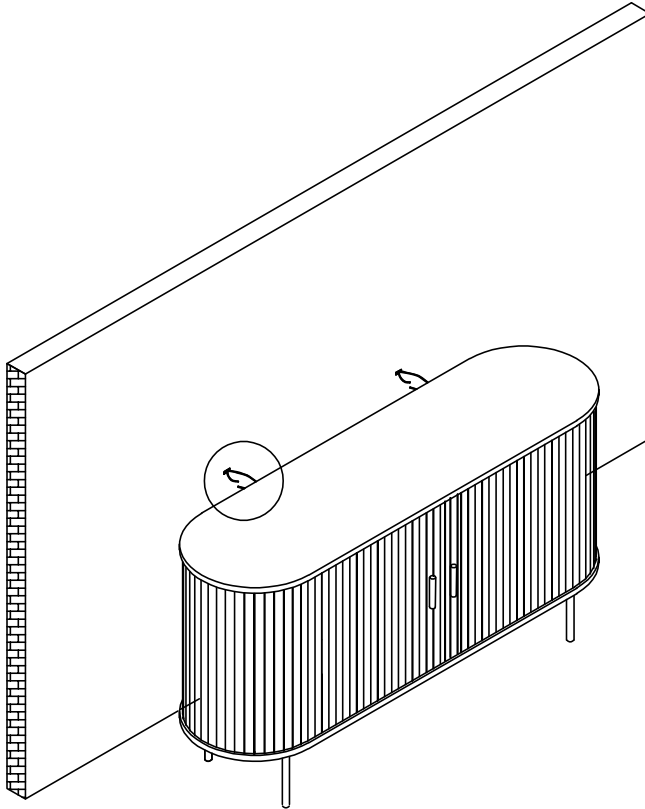
# KLAST

www.klasthome.com

## STEP 14



Px2



## BREDA

Ref: HT-0013

12/12

-V1.0-