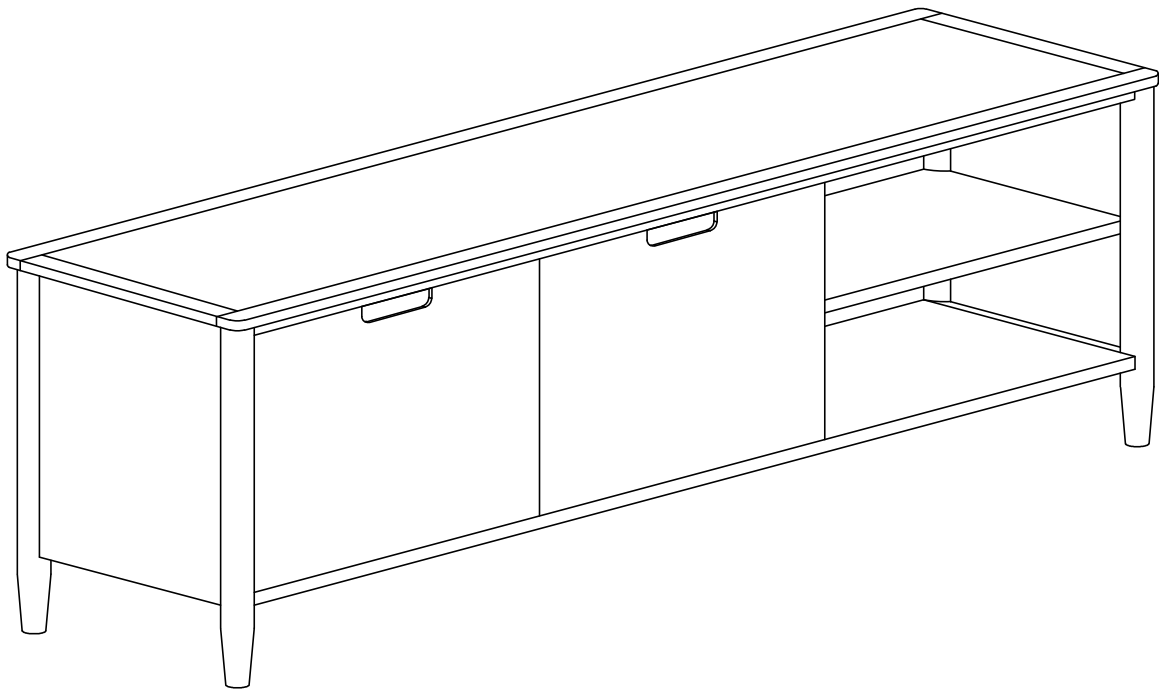


KLAST

www.klasthome.com



KENAN

Ref: SD-0103

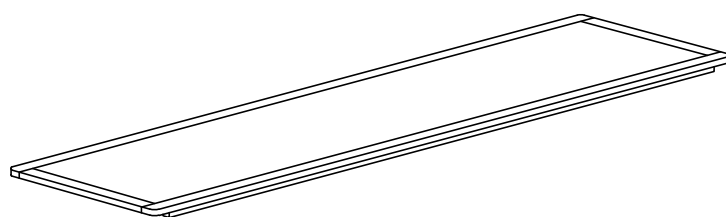
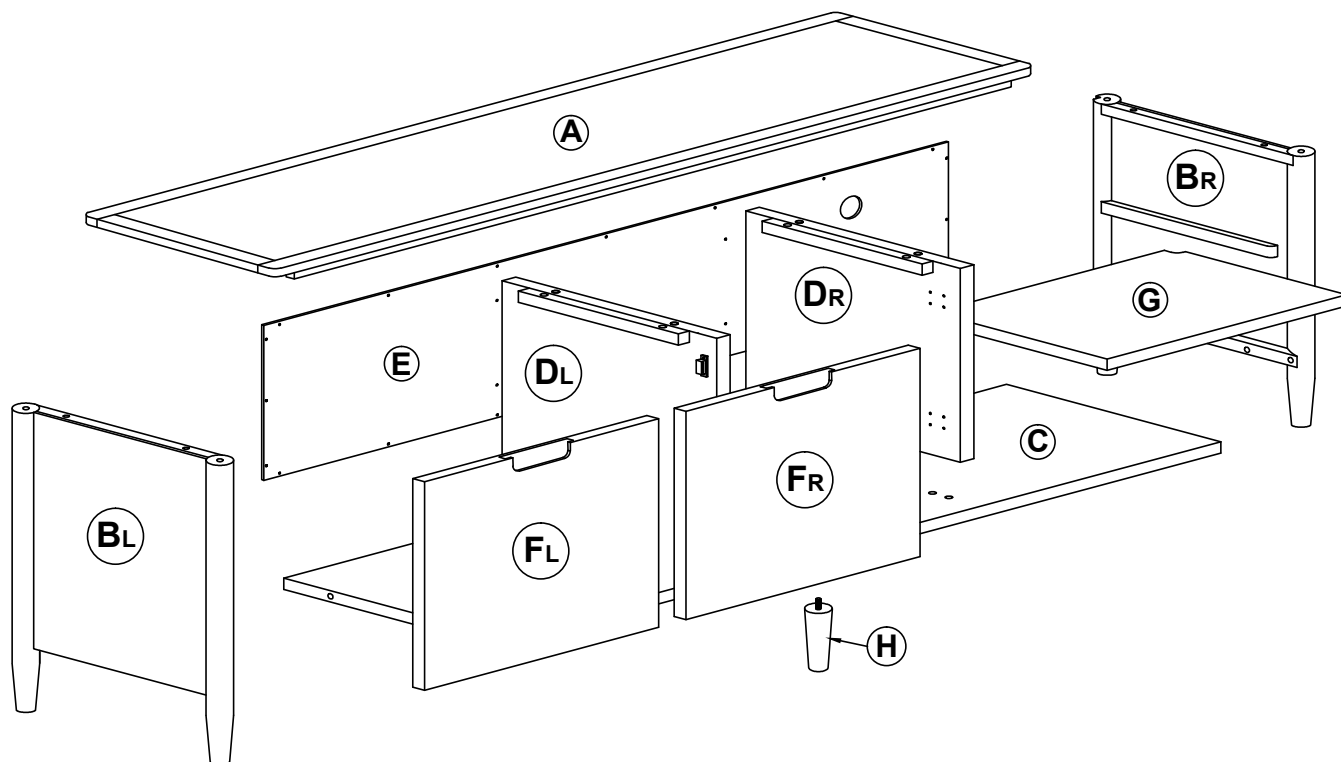
1/10

-V1.0-

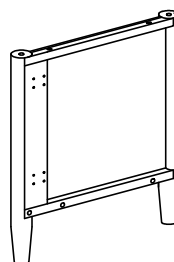
KLAST

www.klasthome.com

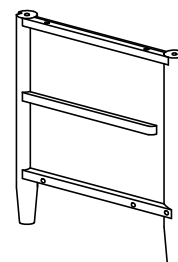
MATERIAL



A x1 PC



B_L x1 PC



B_R x1 PC

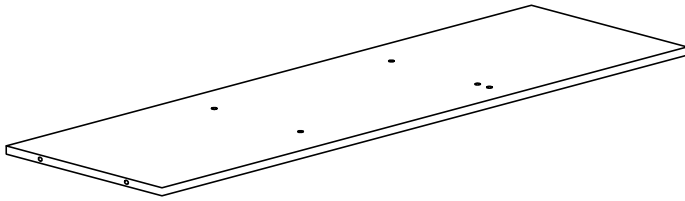
KENAN

Ref: SD-0103

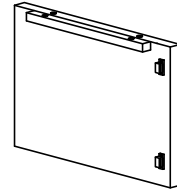
KLAST

www.klasthome.com

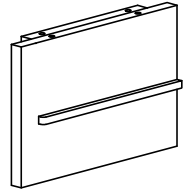
MATERIAL



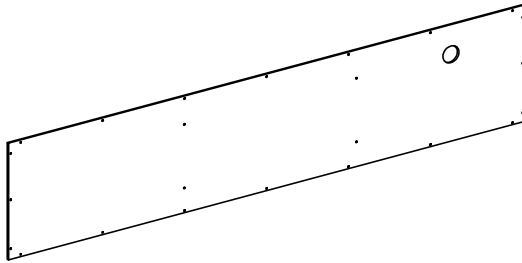
C x1 PC



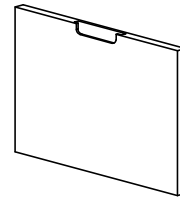
DL x1 PC



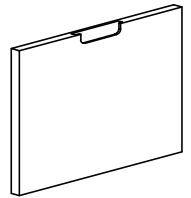
DR x1 PC



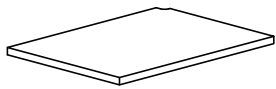
E x1 PC



FL x1 PC



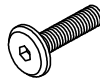
FR x1 PC



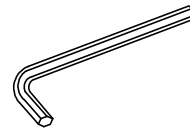
G x1 PC



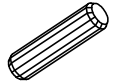
H x1 PC



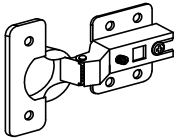
M6x25
1 x16 PC



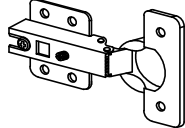
2 x1 PC



Ø8x30
3 x11 PC



Ø26
4 x2 PC



Ø26
5 x2 PC



M4x15
6 x24 PC



M3.5x15
7 x30 PC

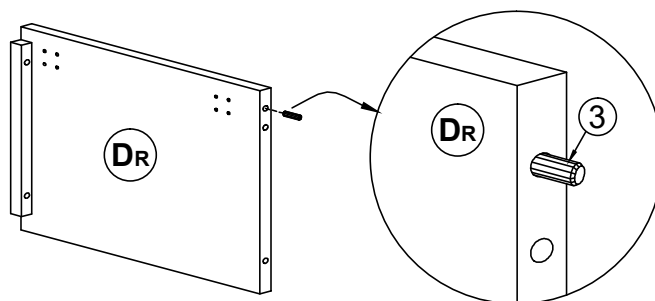
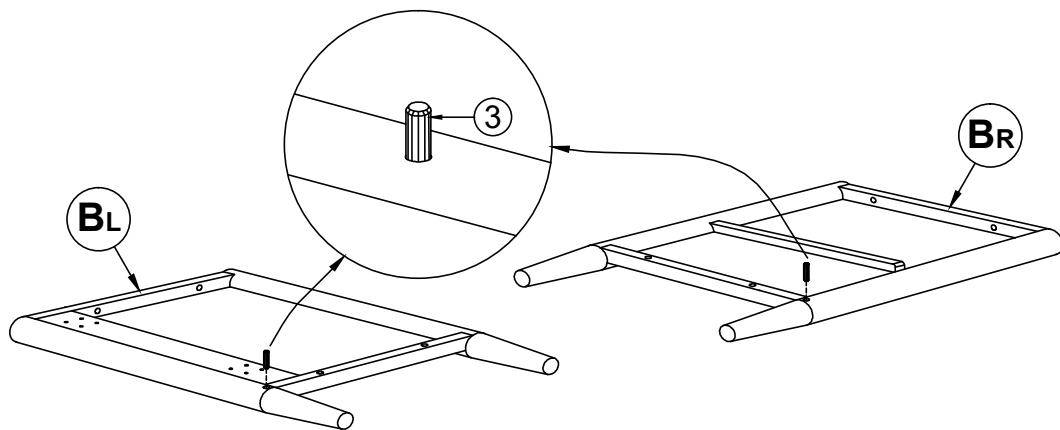
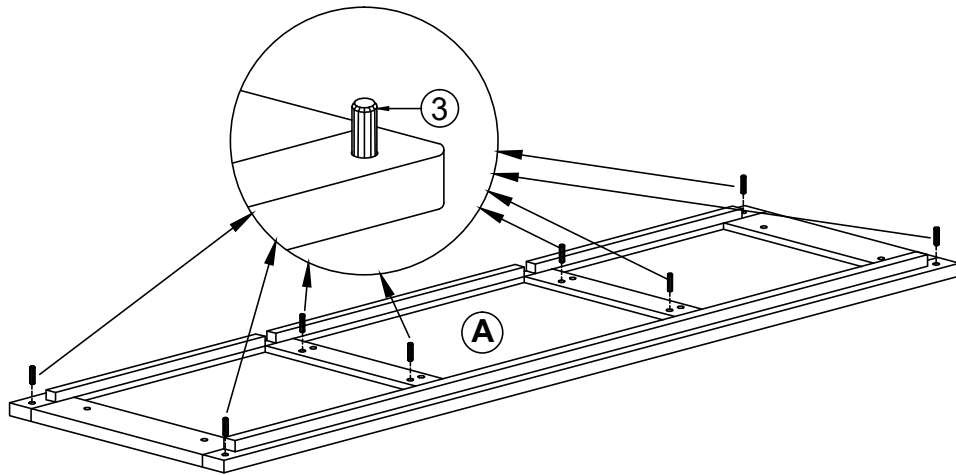
KENAN

Ref: SD-0103

KLAST

www.klasthome.com

STEP 1



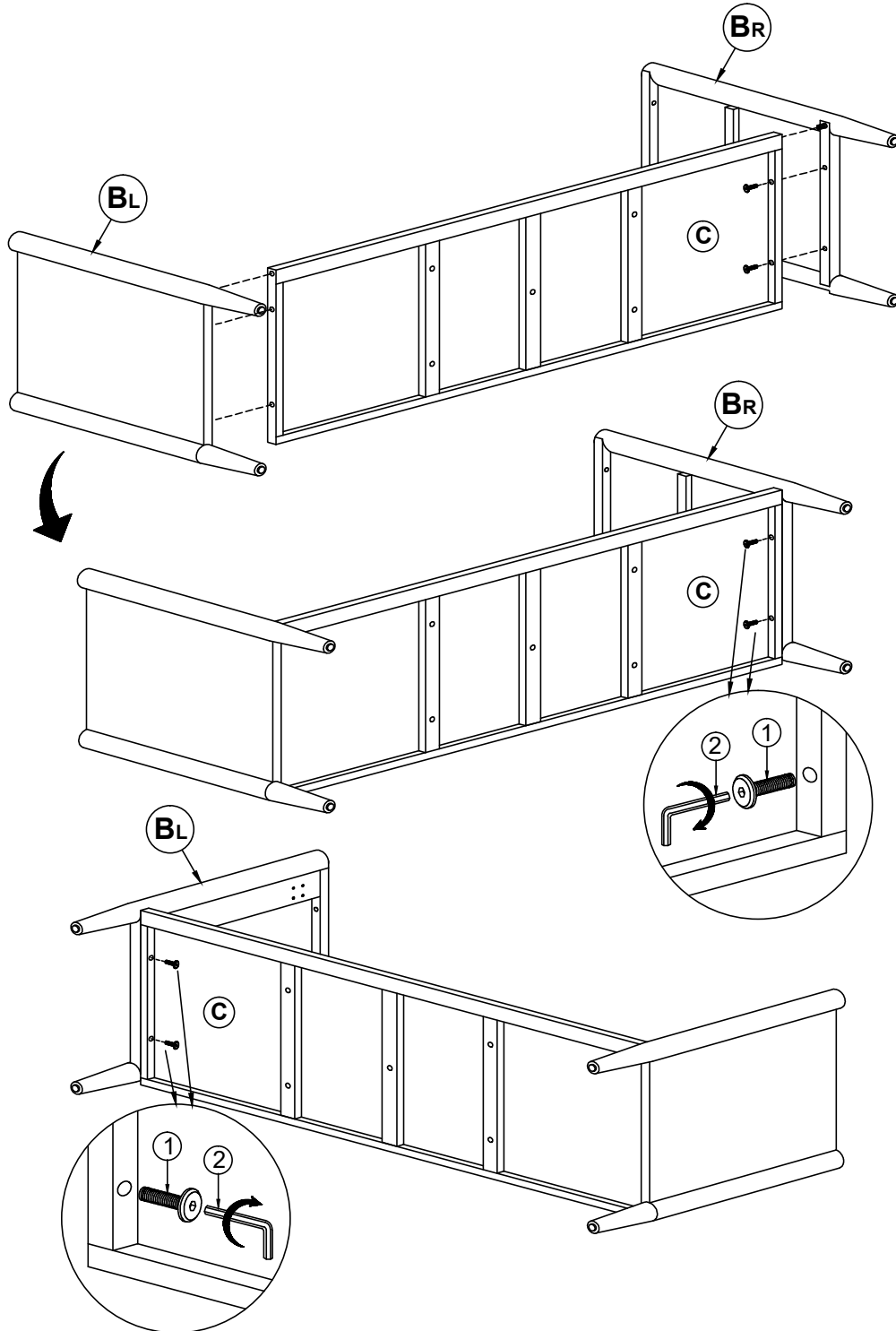
KENAN

Ref: SD-0103

KLAST

www.klathome.com

STEP 2



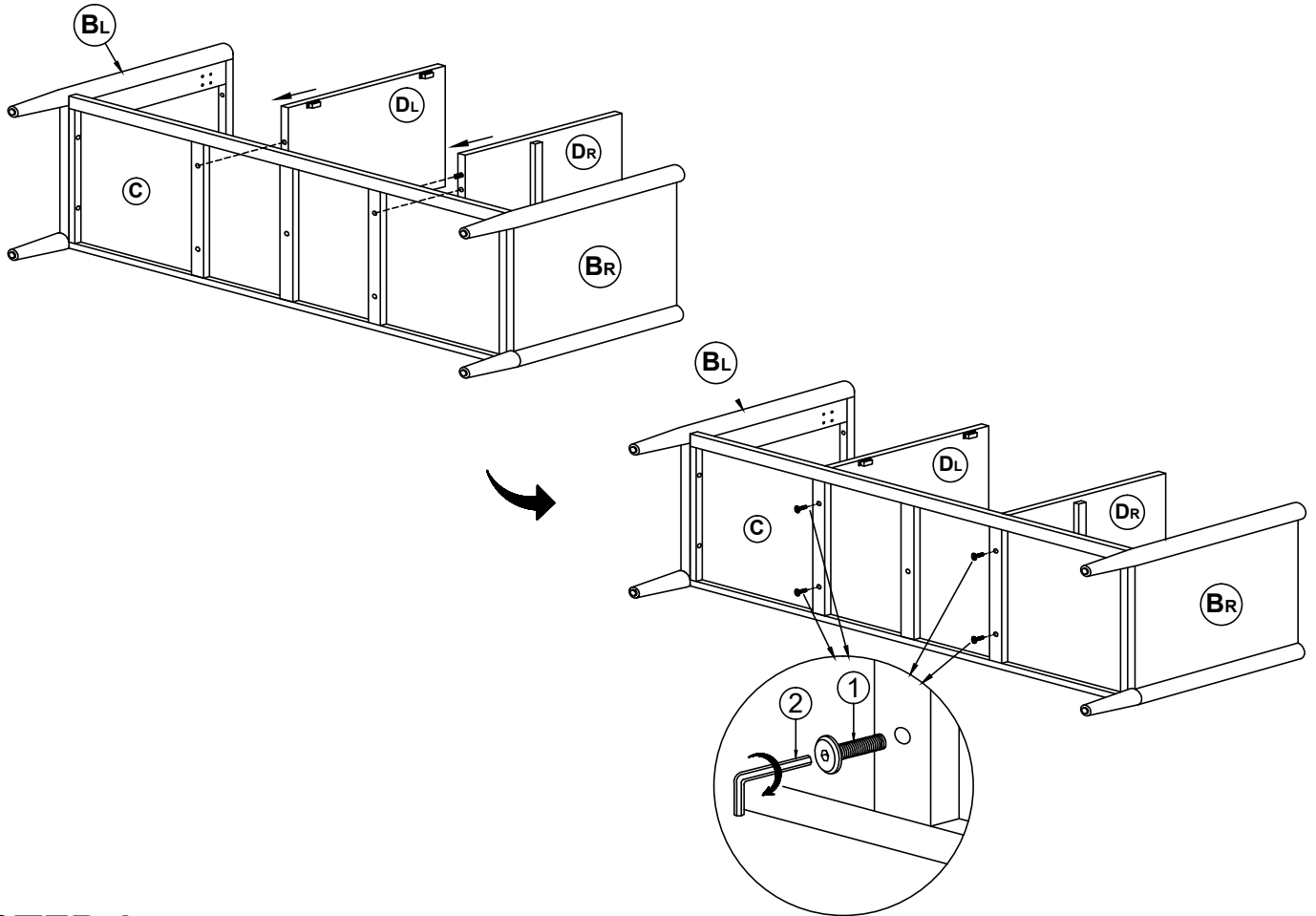
KENAN

Ref: SD-0103

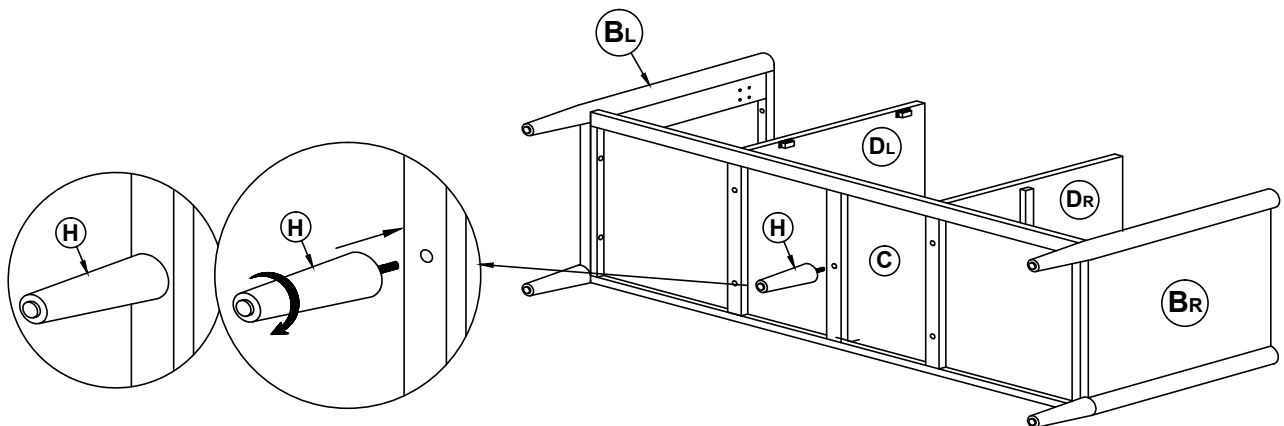
KLAST

www.klathome.com

STEP 3



STEP 4



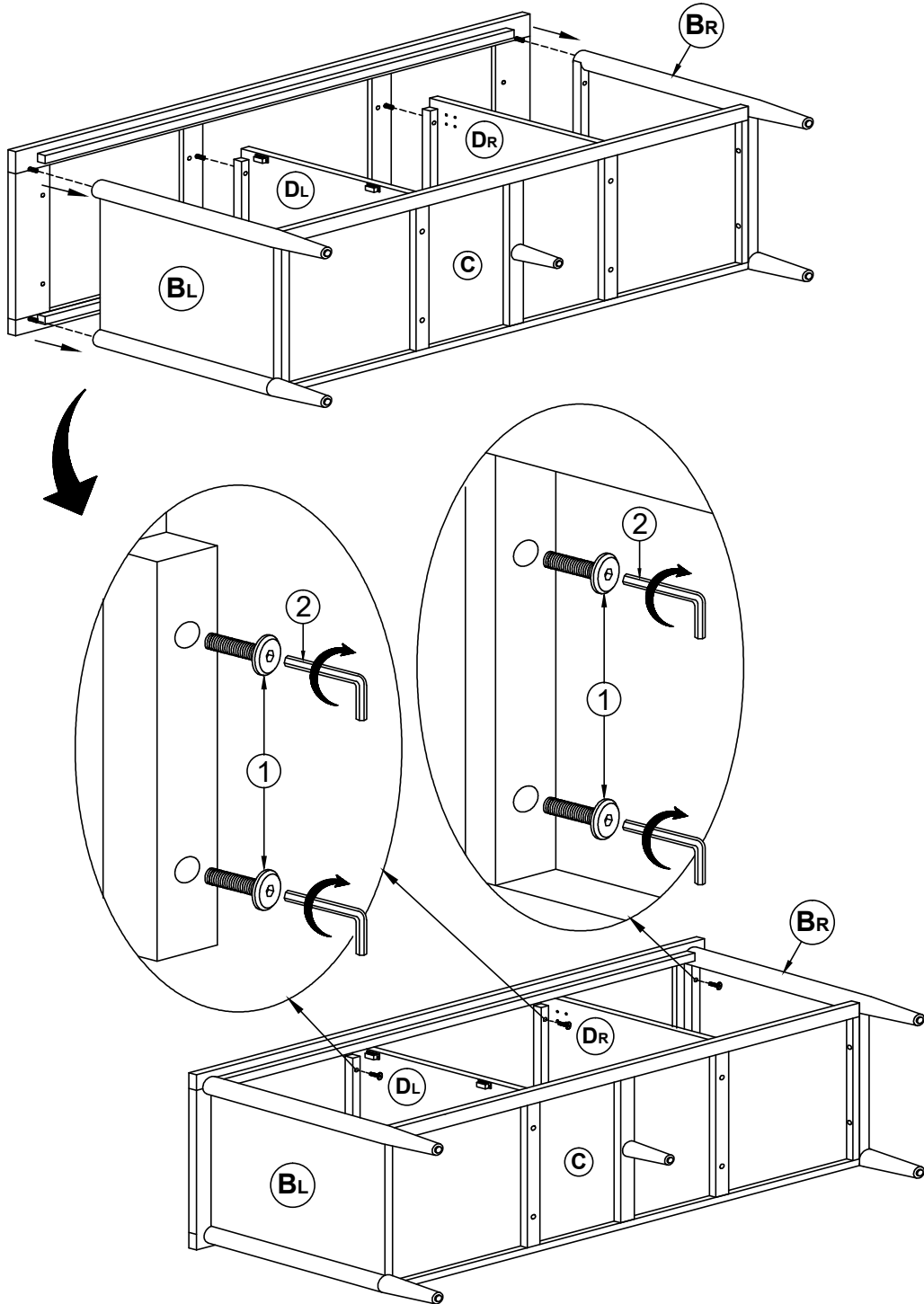
KENAN

Ref: SD-0103

KLAST

www.klasthome.com

STEP 5



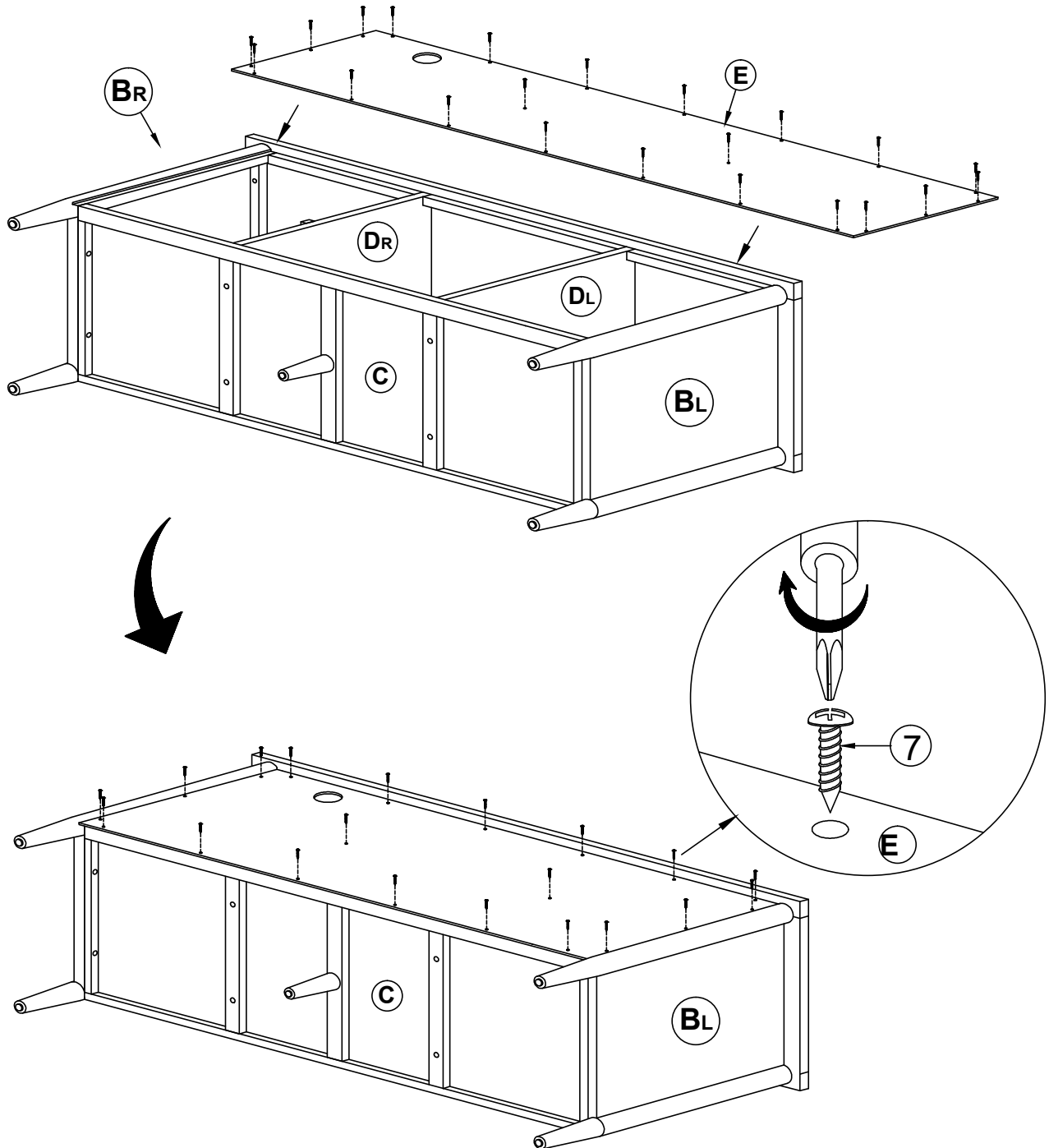
KENAN

Ref: SD-0103

KLAST

www.klasthome.com

STEP 6



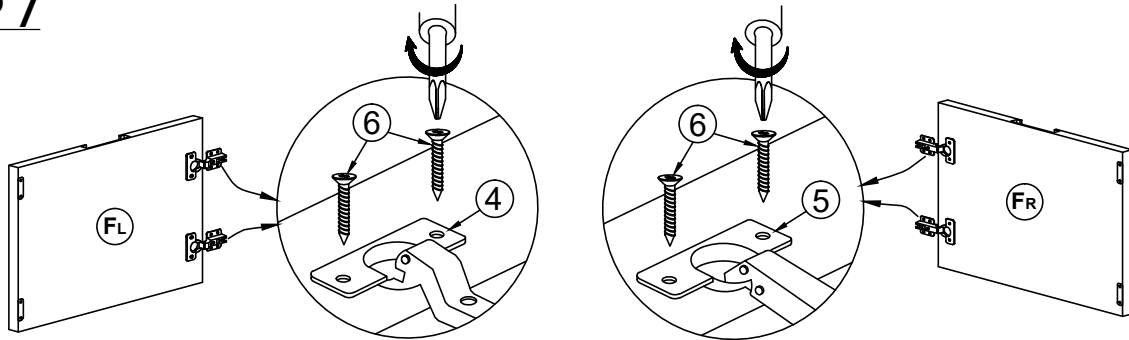
KENAN

Ref: SD-0103

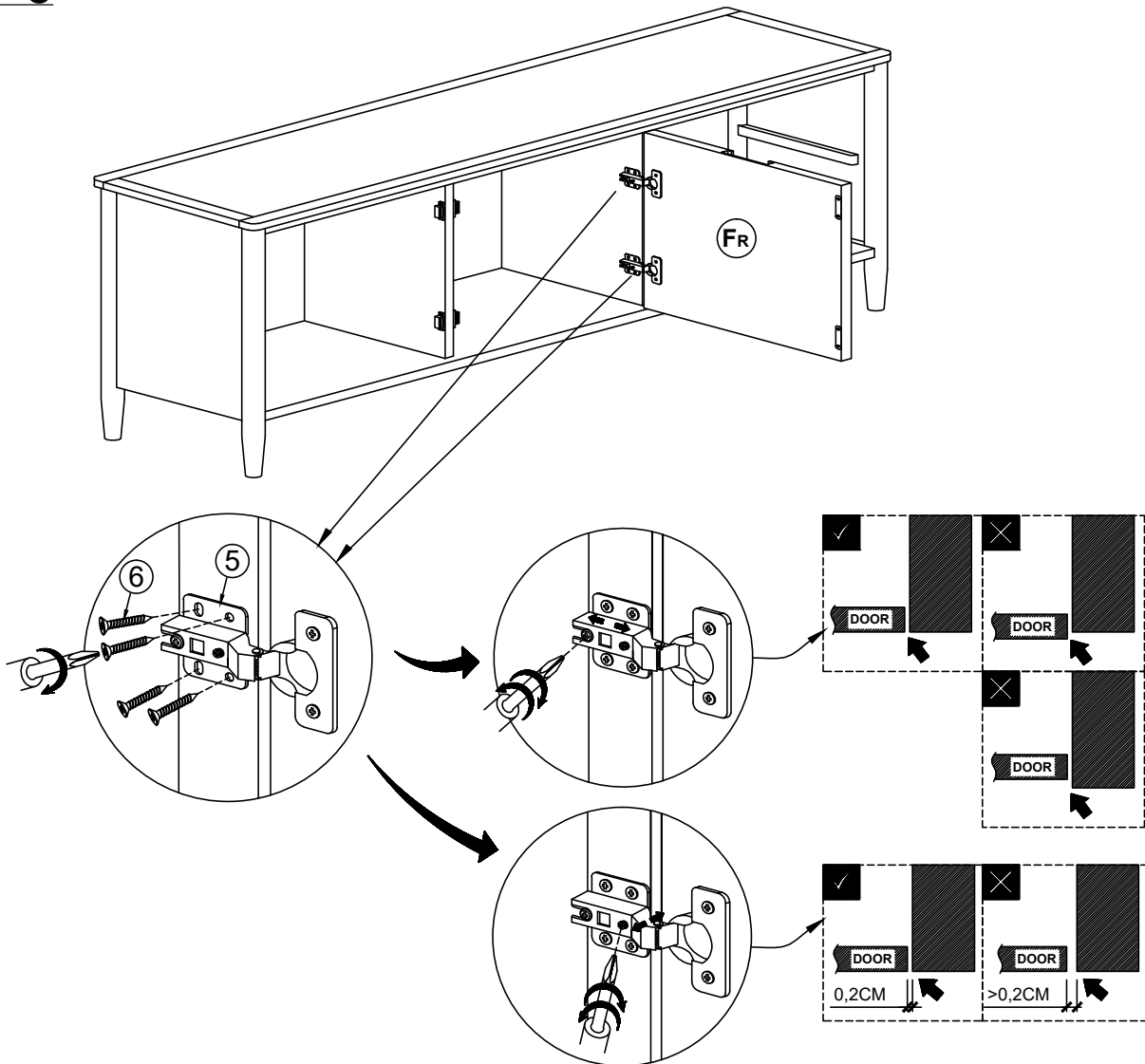
KLAST

www.klasthome.com

STEP 7



STEP 8



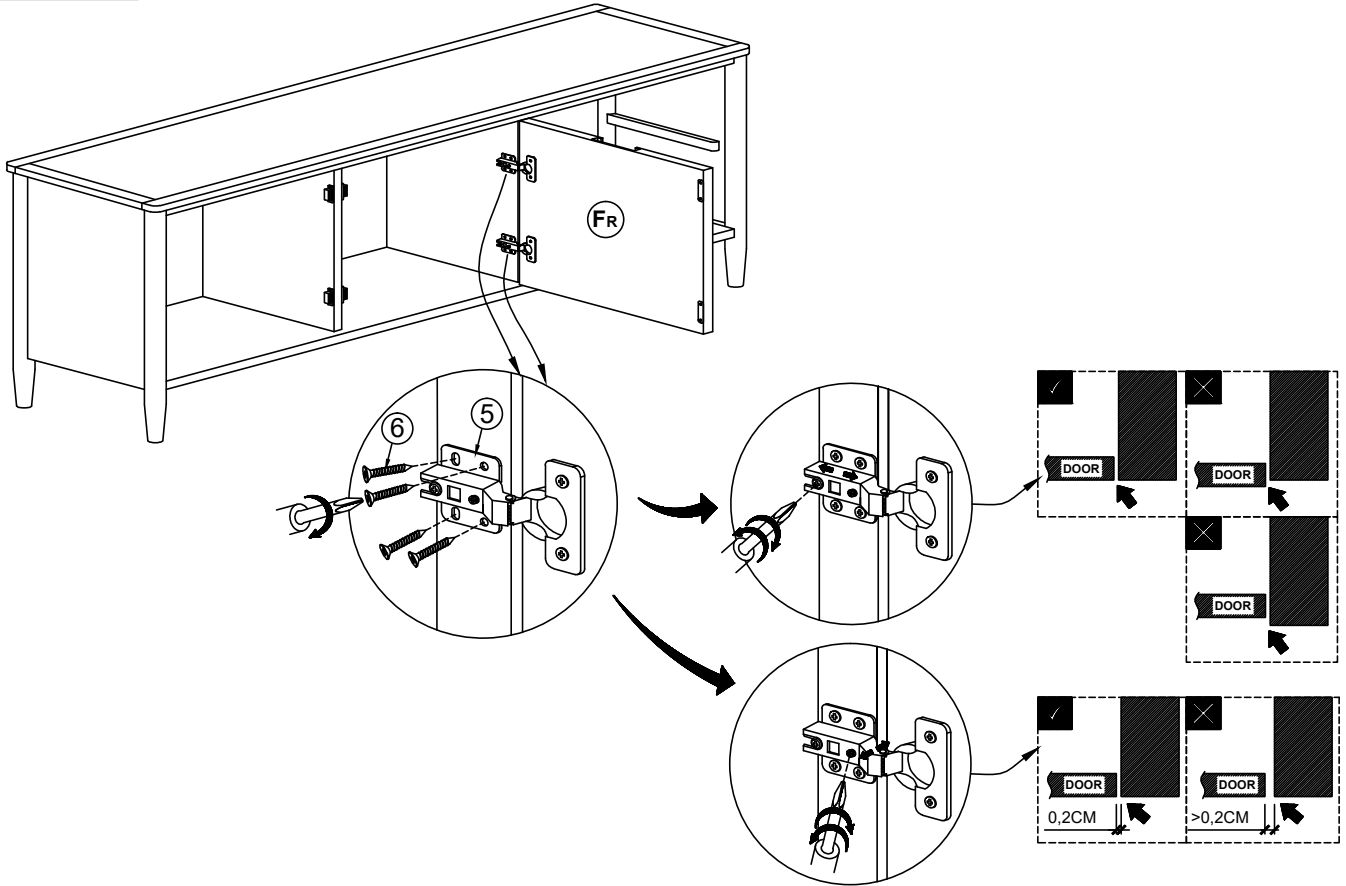
KENAN

Ref: SD-0103

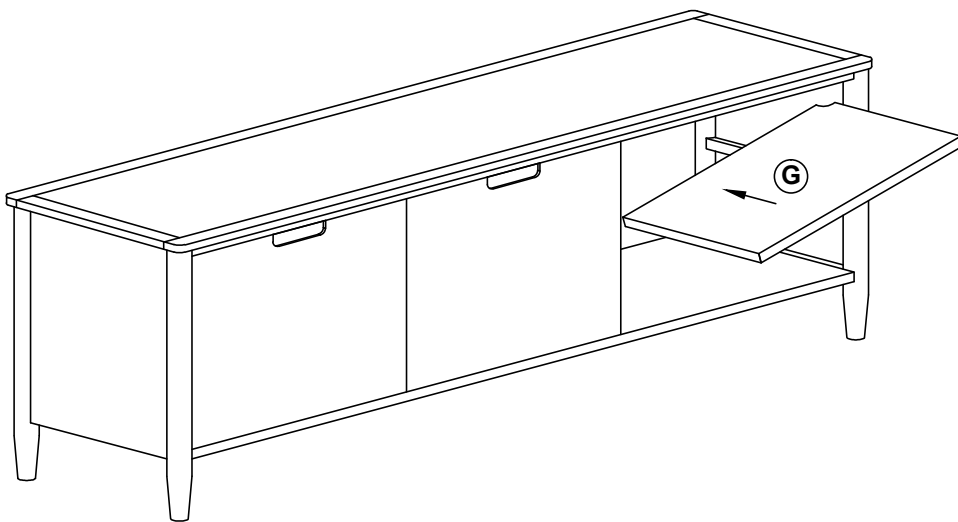
KLAST

www.klasthome.com

STEP 9



STEP 10



KENAN

Ref: SD-0103