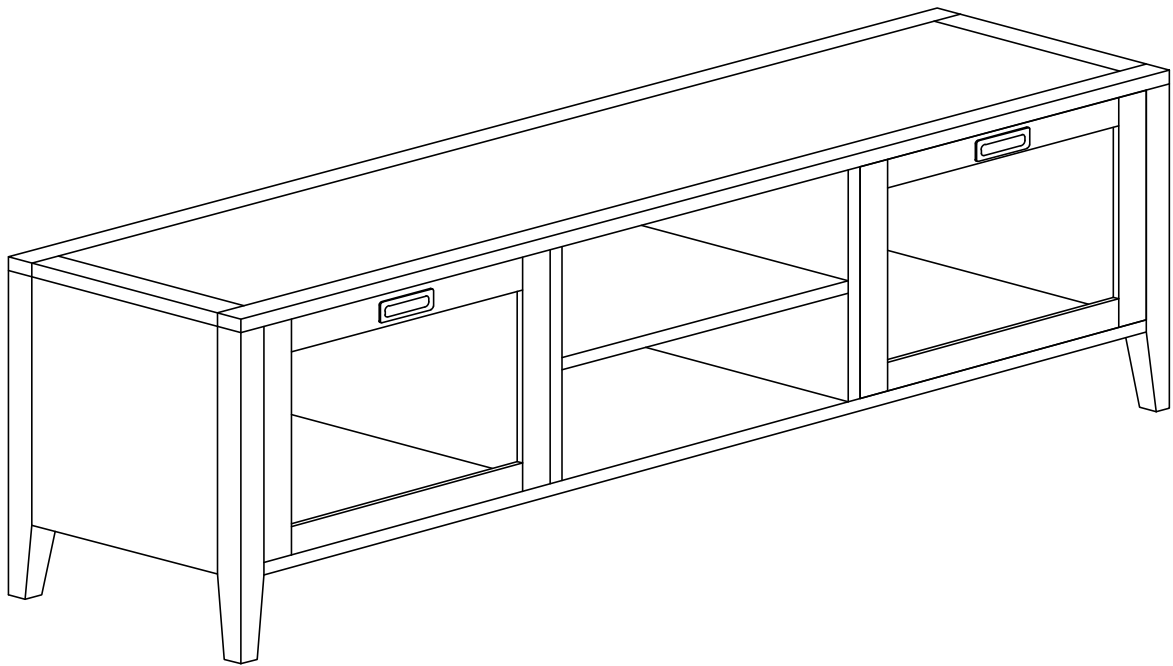


KLAST

www.klasthome.com



EDAN

Ref: SD-0105

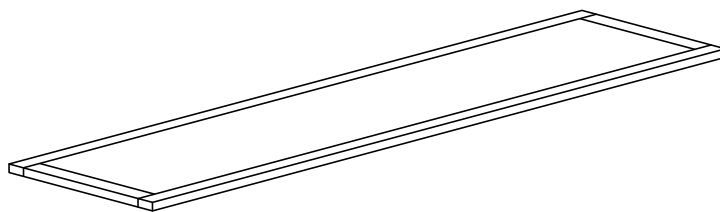
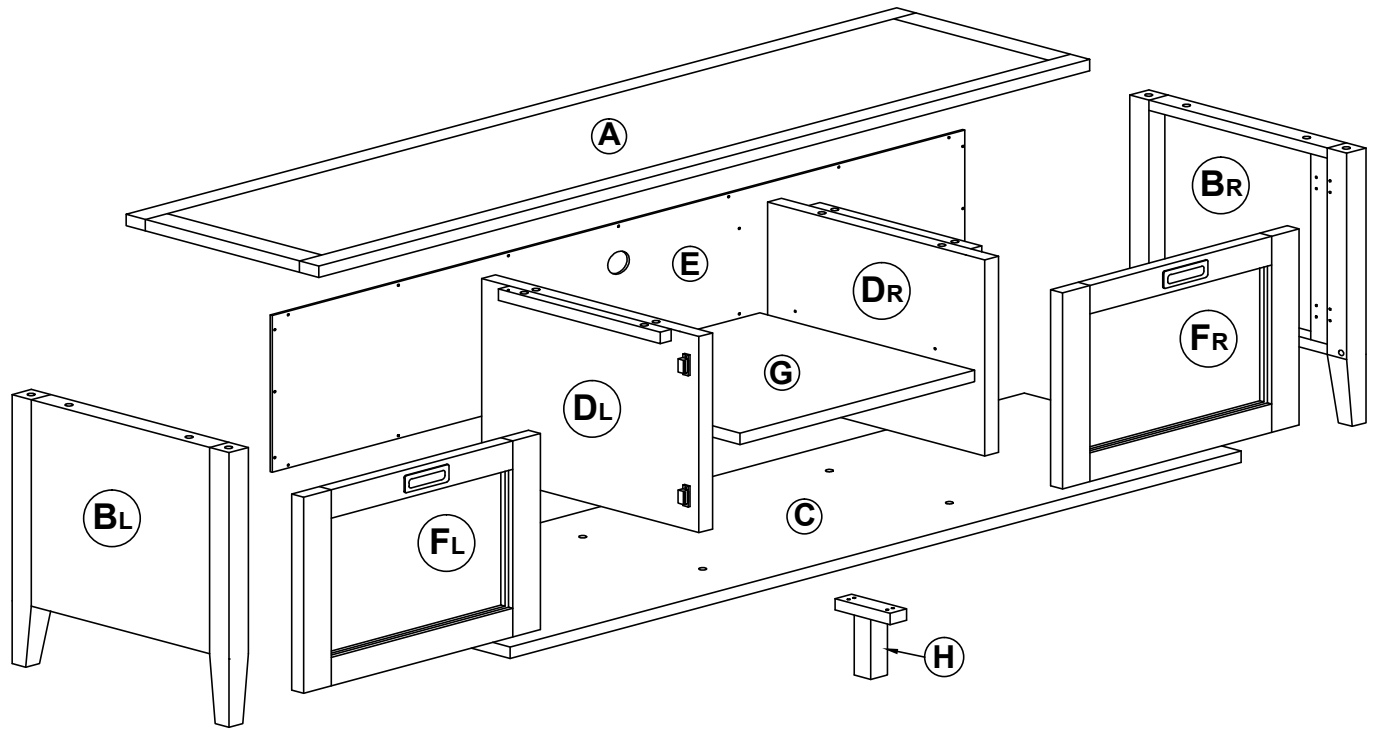
1/11

-V1.0-

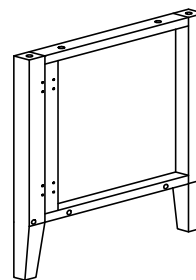
KLAST

www.klasthome.com

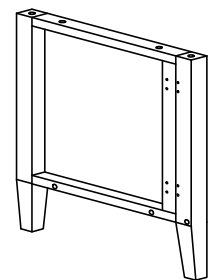
MATERIAL



A x1 PC



B_L x1 PC



B_R x1 PC

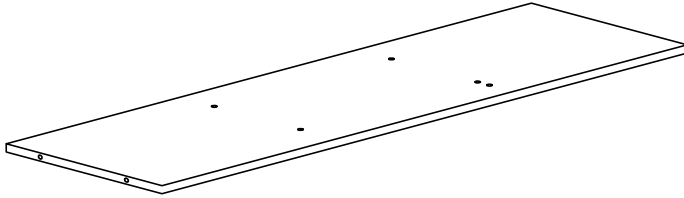
EDAN

Ref: SD-0105

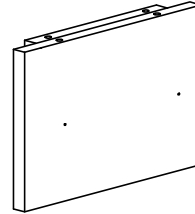
KLAST

www.klasthome.com

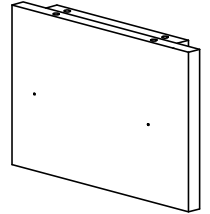
MATERIAL



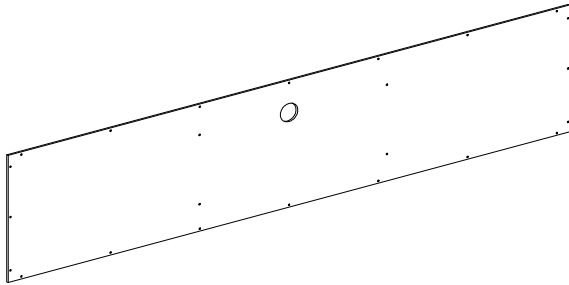
C x1 PC



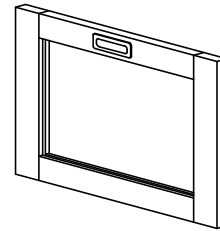
DL x1 PC



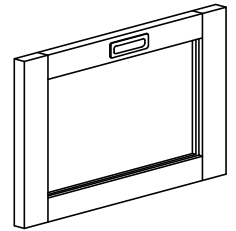
DR x1 PC



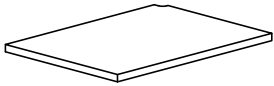
E x1 PC



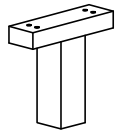
FL x1 PC



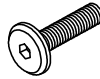
FR x1 PC



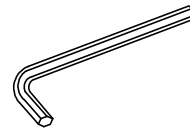
G x1 PC



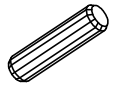
H x1 PC



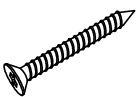
M6x25
1 x16 PC



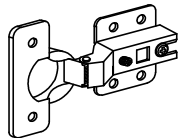
2 x1 PC



Ø8x30
3 x10 PC



M4x30
4 x4 PC



Ø26
5 x4 PC



M4x15
6 x24 PC



M3.5x15
7 x30 PC



Ø5x20
8 x4 PC

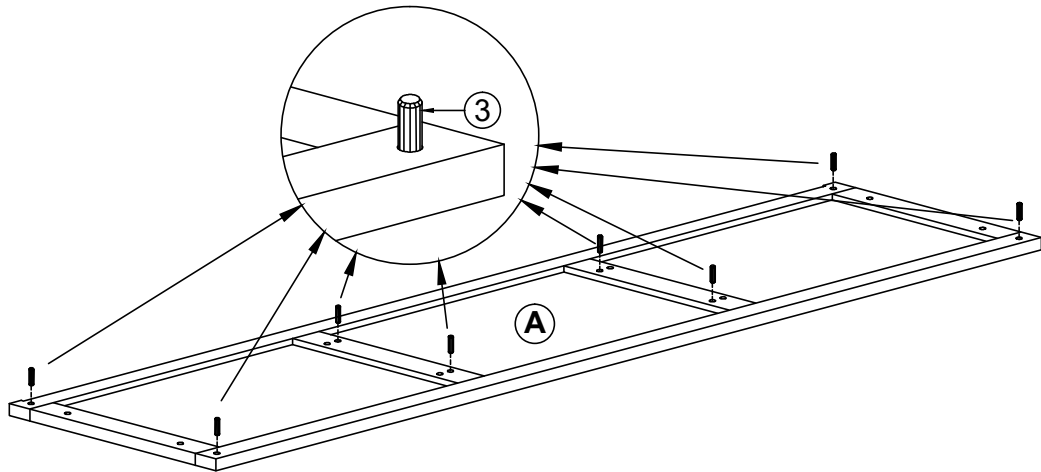
EDAN

Ref: SD-0105

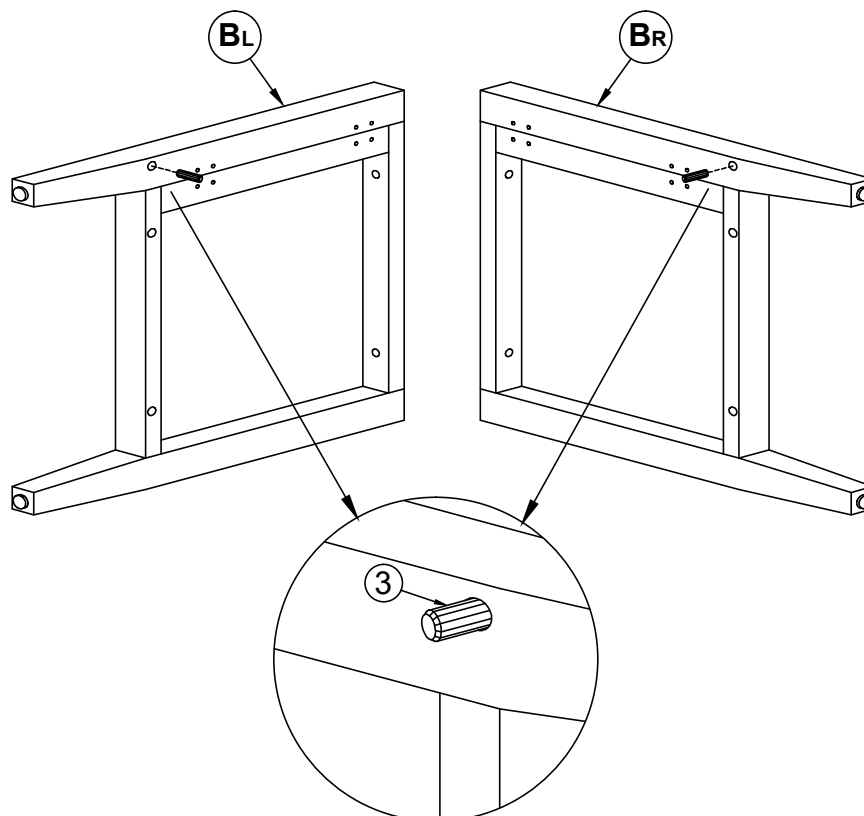
KLAST

www.klasthome.com

STEP 1



STEP 2



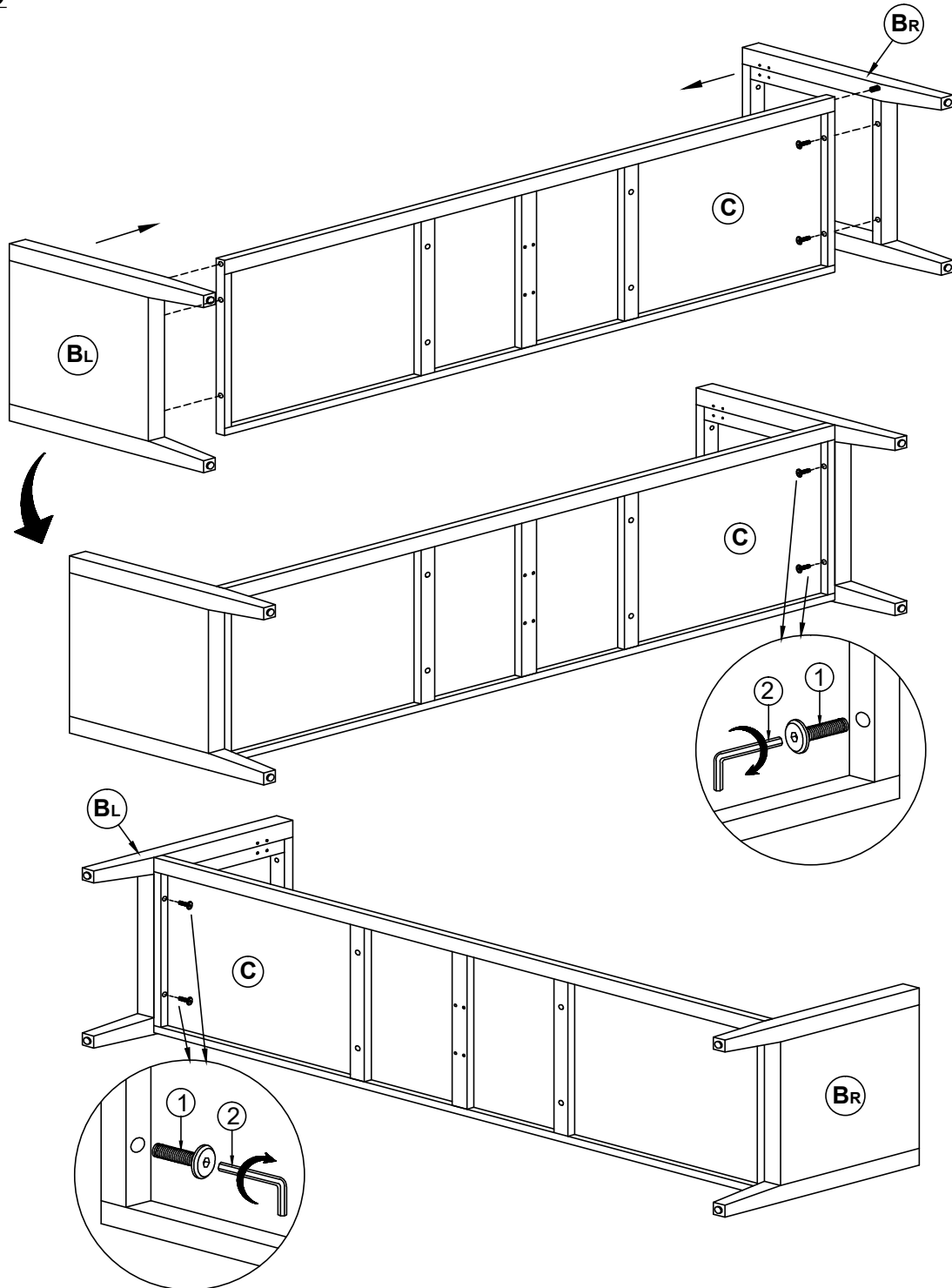
EDAN

Ref: SD-0105

KLAST

www.klasthome.com

STEP 3



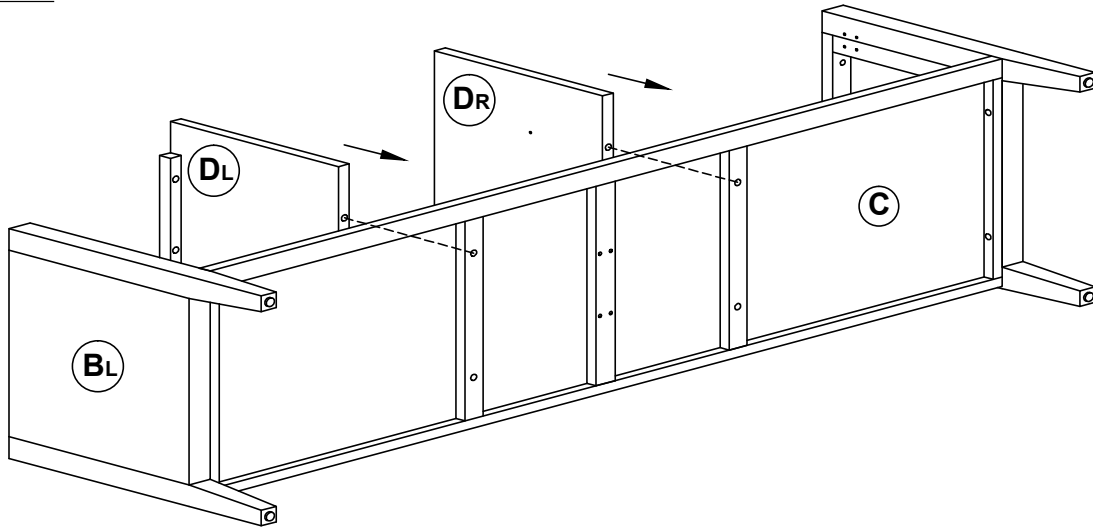
EDAN

Ref: SD-0105

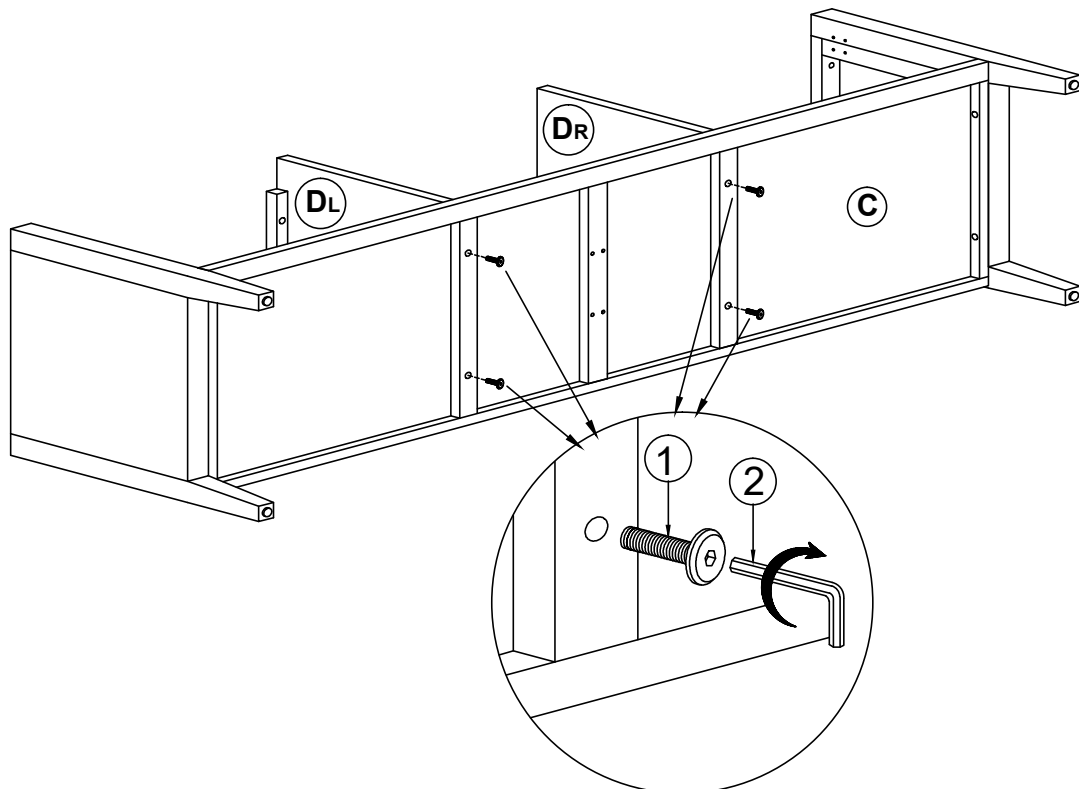
KLAST

www.klasthome.com

STEP 4



STEP 5



EDAN

Ref: SD-0105

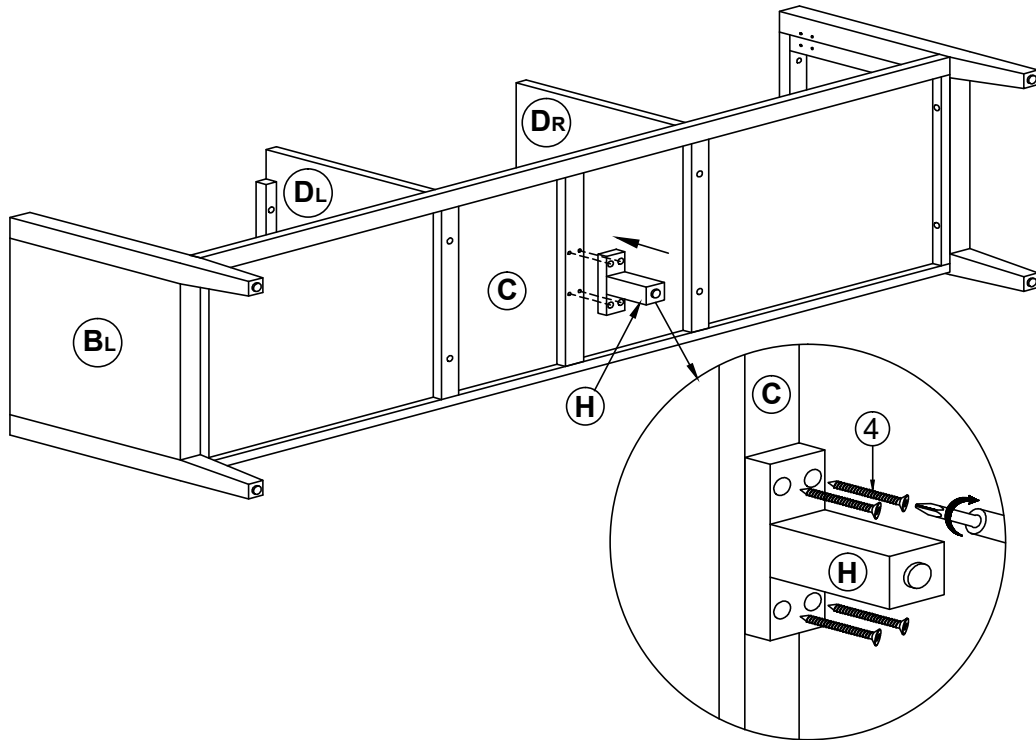
6/11

-V1.0-

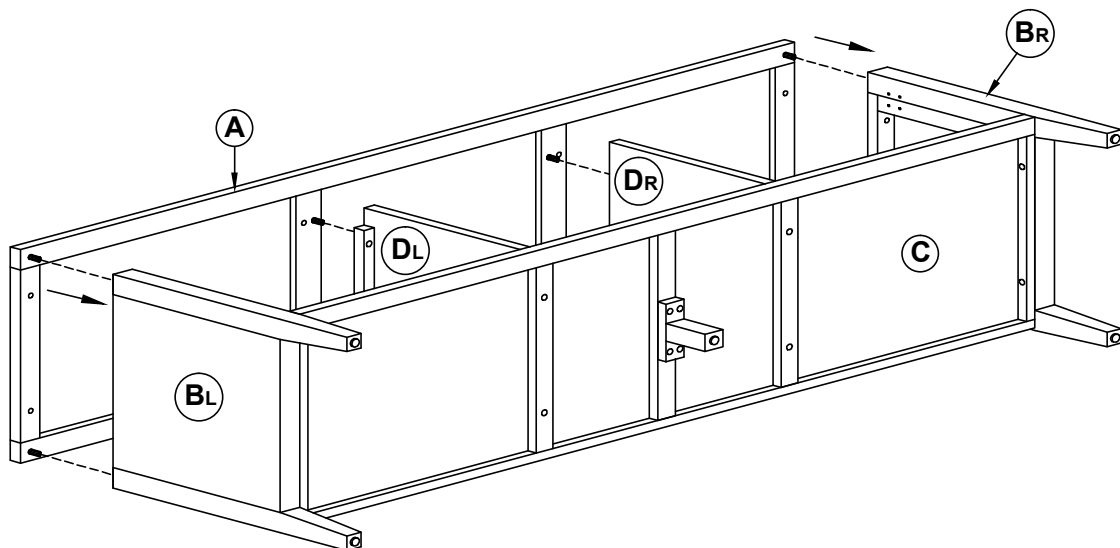
KLAST

www.klathome.com

STEP 6



STEP 7



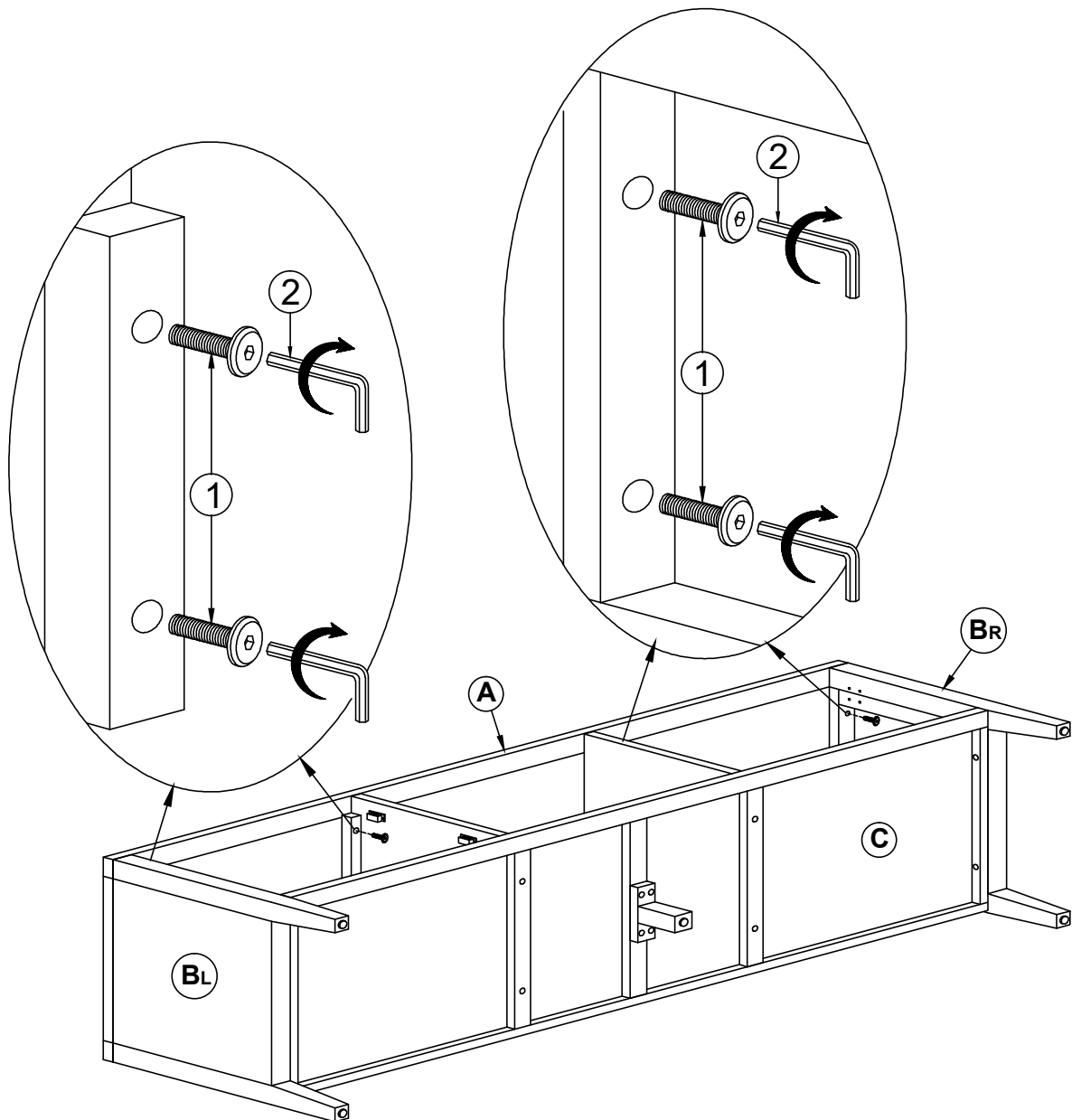
EDAN

Ref: SD-0105

KLAST

www.klasthome.com

STEP 8



EDAN

Ref: SD-0105

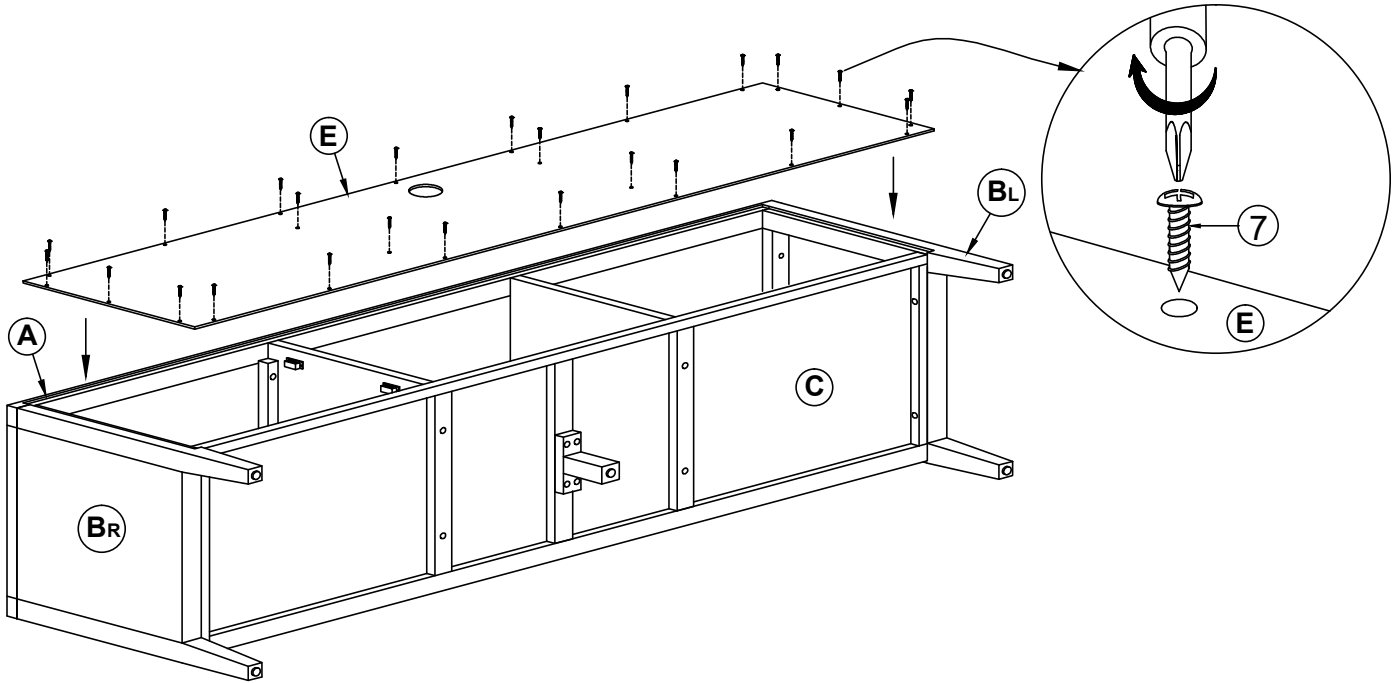
8/11

-V1.0-

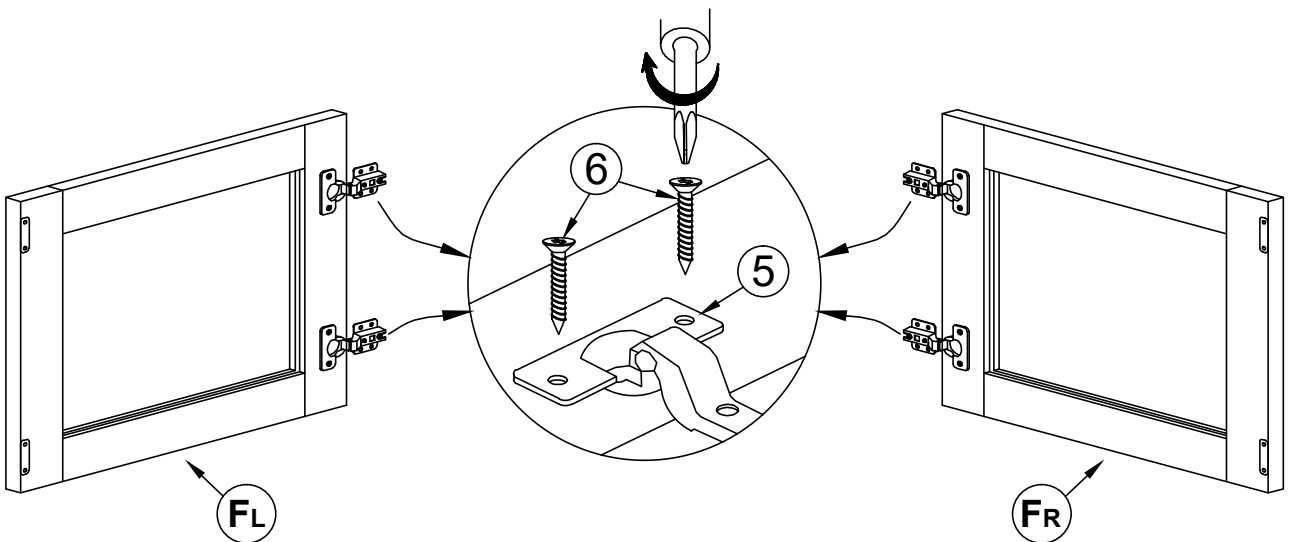
KLAST

www.klathome.com

STEP 9



STEP 10



EDAN

Ref: SD-0105

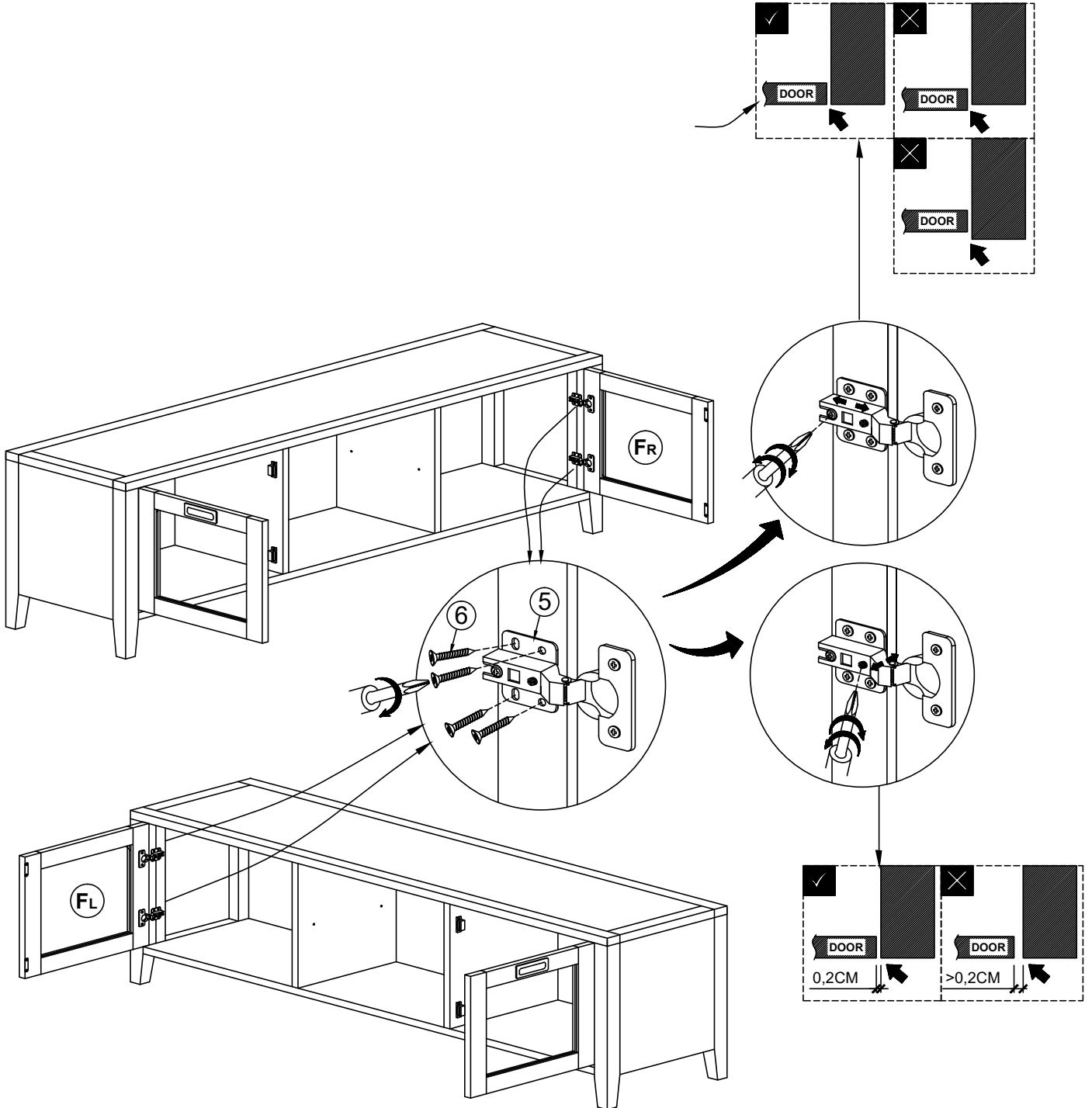
9/11

-V1.0-

KLAST

www.klathome.com

STEP 11



EDAN

Ref: SD-0105

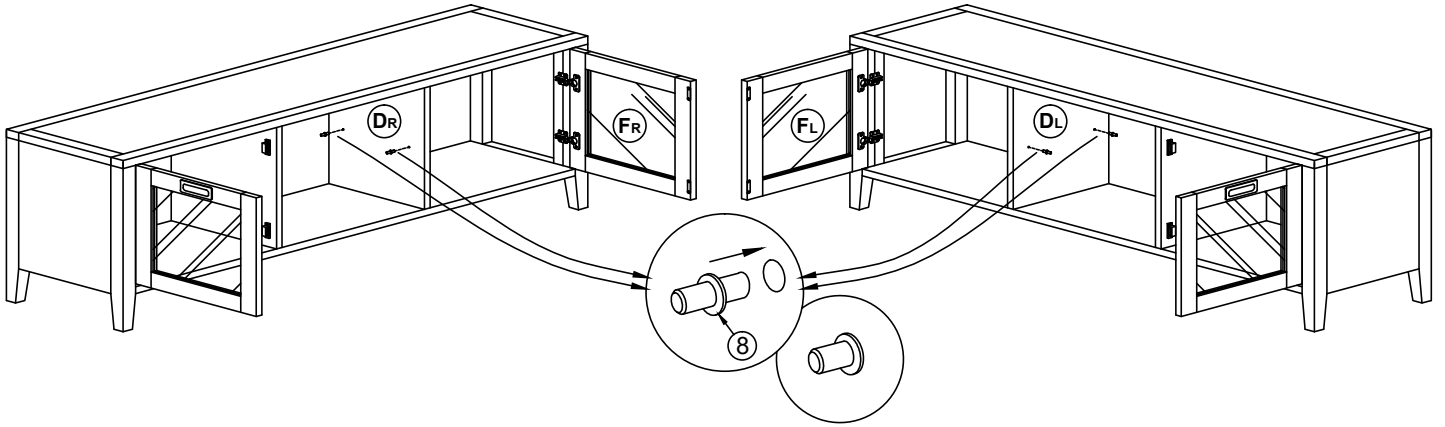
10/11

-V1.0-

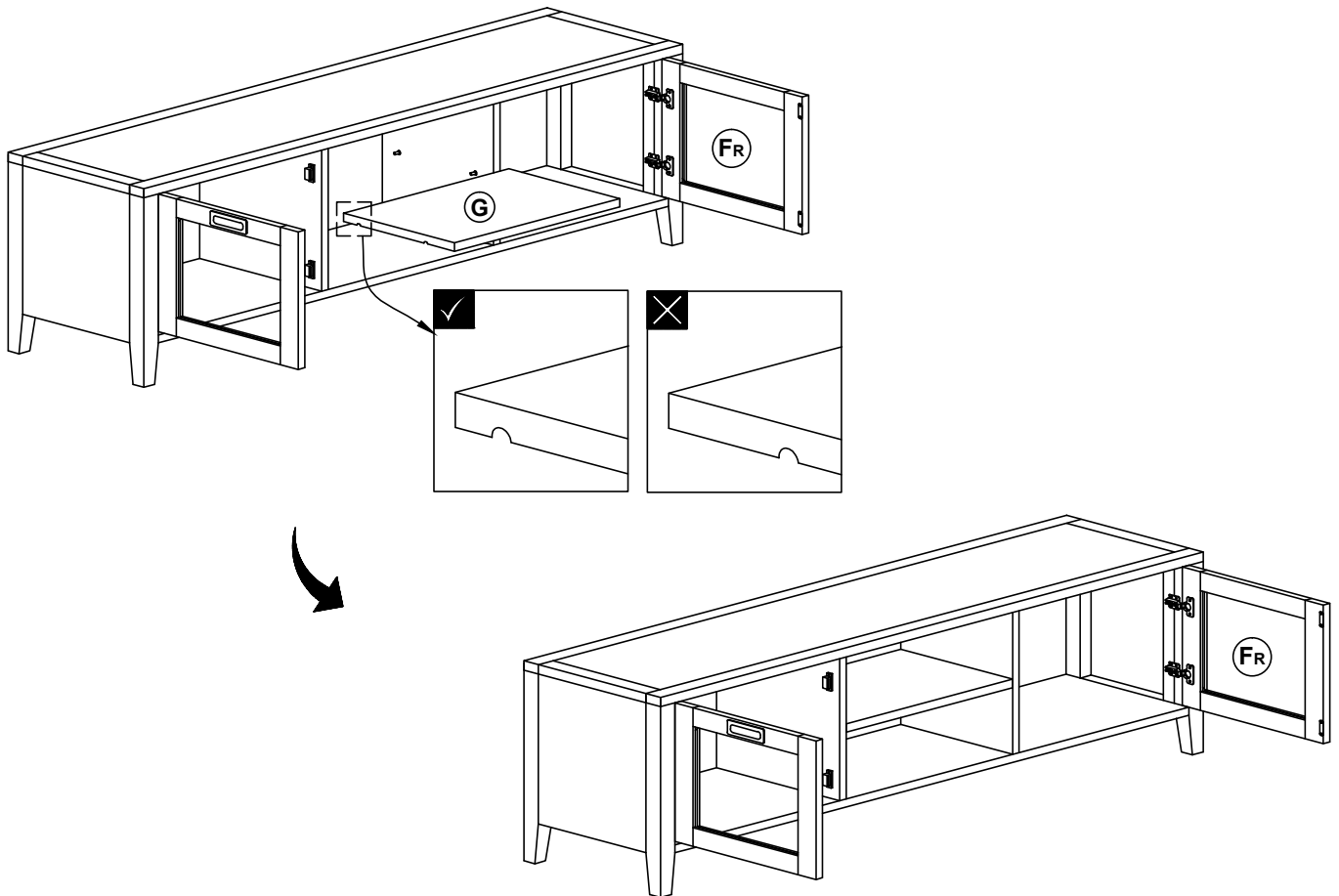
KLAST

www.klathome.com

STEP 12



STEP 13



EDAN

Ref: SD-0105

11/11

-V1.0-