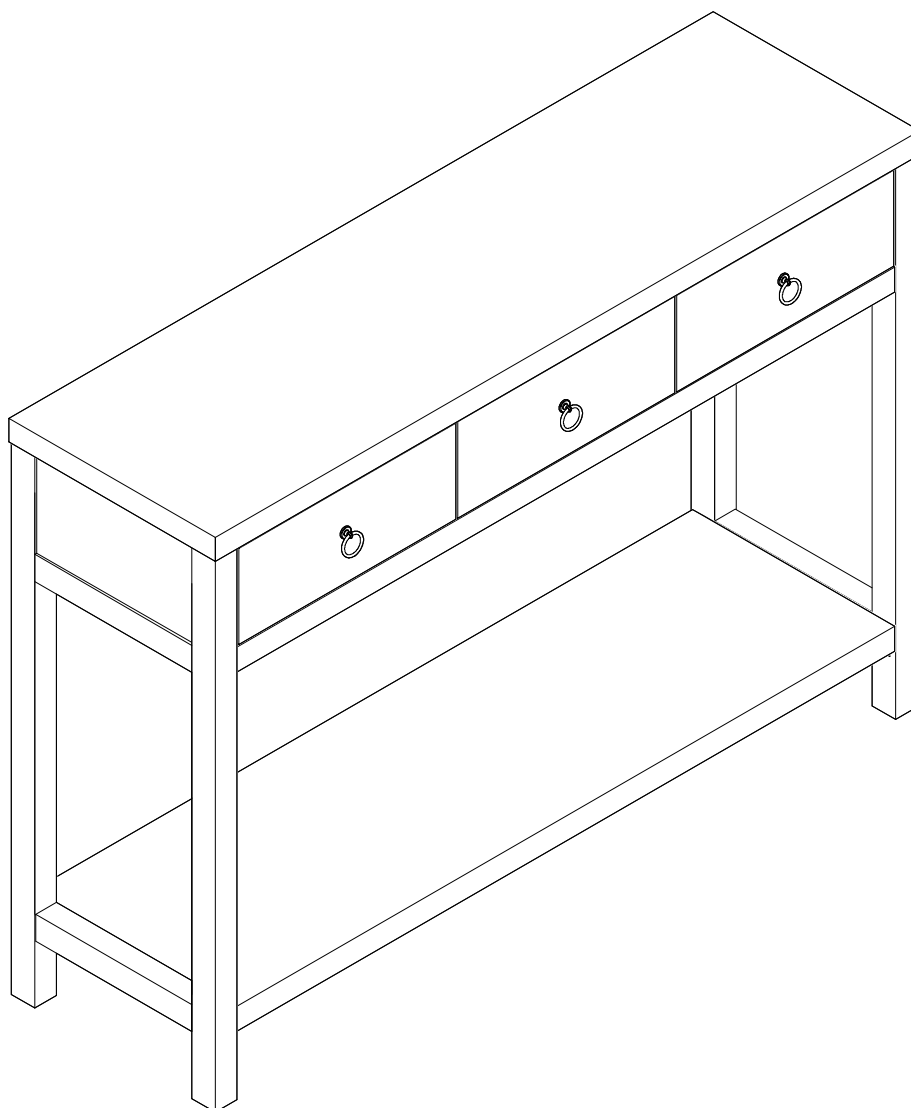


# KLAST

[www.klasthome.com](http://www.klasthome.com)



## LIVORNO

Ref: SC-0032

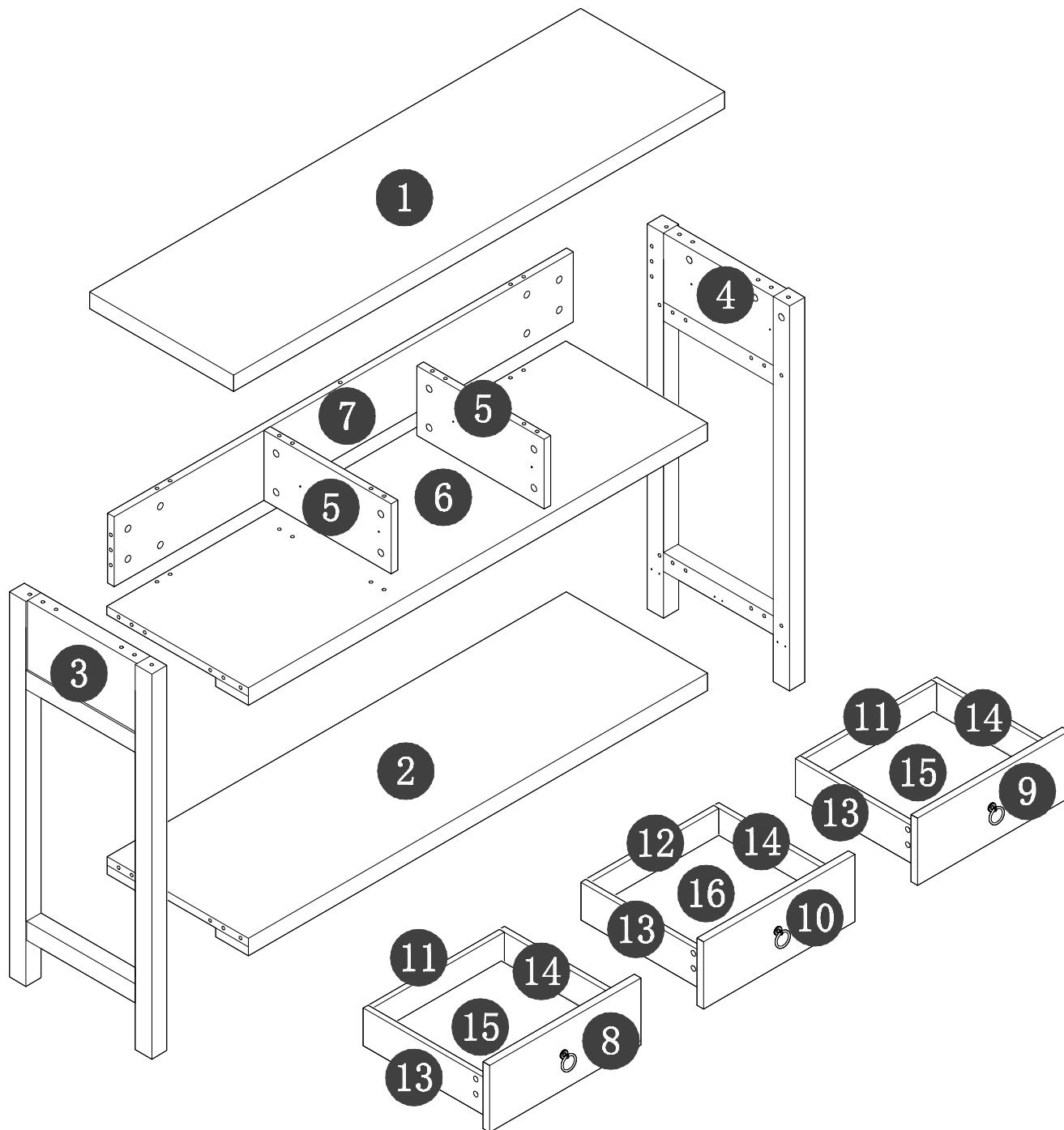
1/11

-V1.0-

# KLAST

www.klasthome.com

## MATERIAL



## LIVORNO

Ref: SC-0032

# KLAST

www.klasthome.com

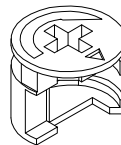
## MATERIAL



A x36 PC



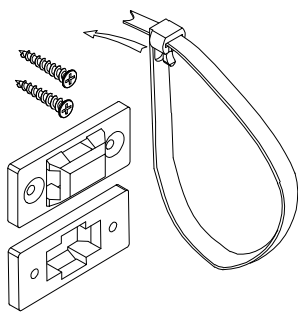
B x32 PC



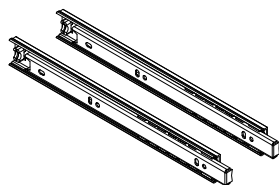
C x36 PC



D x60 PC



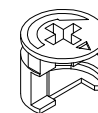
F x1 PC



N x3 PC



O x24 PC



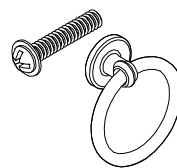
P x8 PC



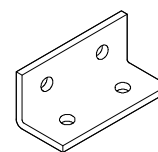
M3.5x12 mm  
V1 x24 PC



M4x16mm  
V2 x24 PC



U x3 PC



Y x6 PC

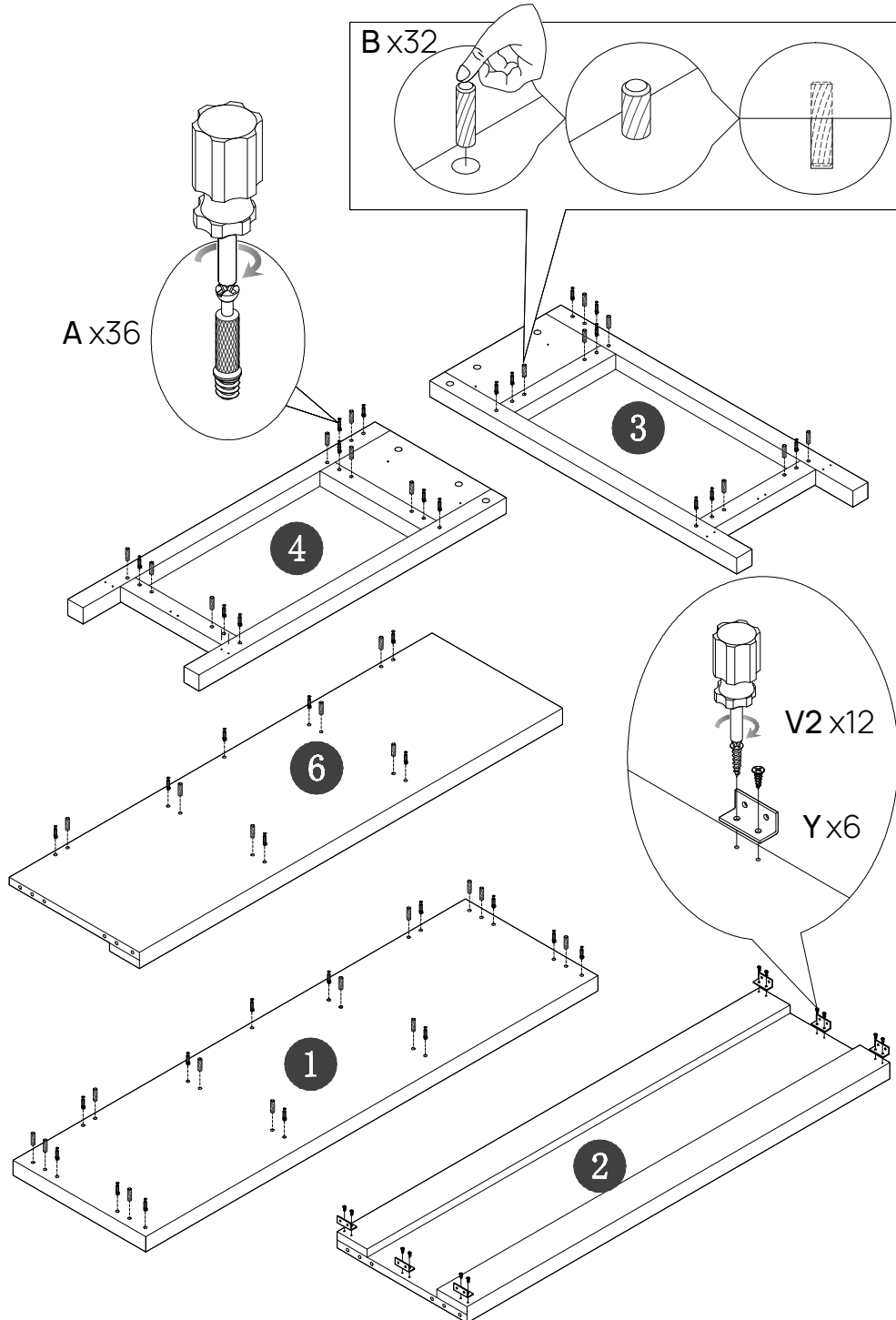
## LIVORNO

Ref: SC-0032

# KLAST

www.klathome.com

## STEP 1



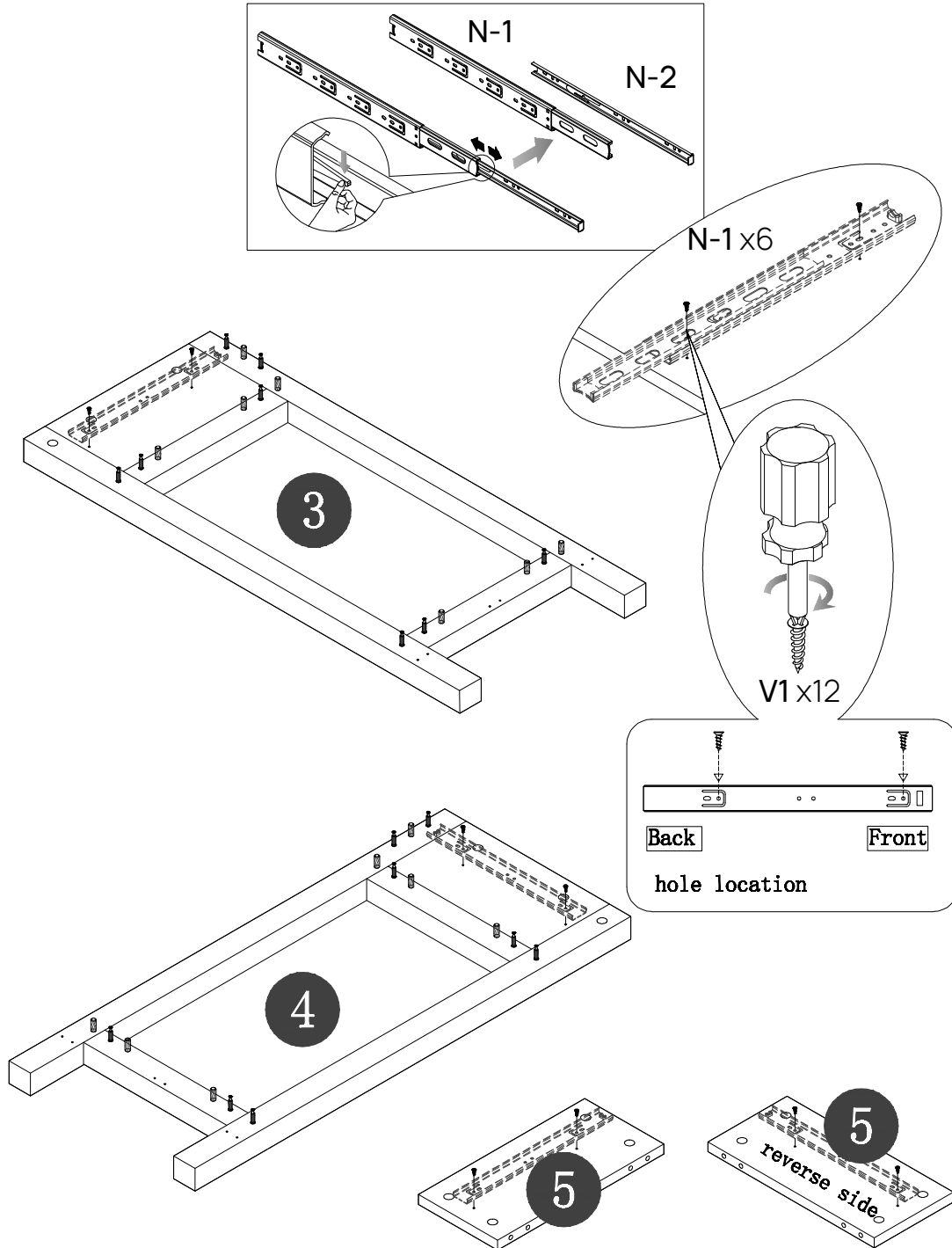
# LIVORNO

Ref: SC-0032

# KLAST

www.klathome.com

## STEP 2



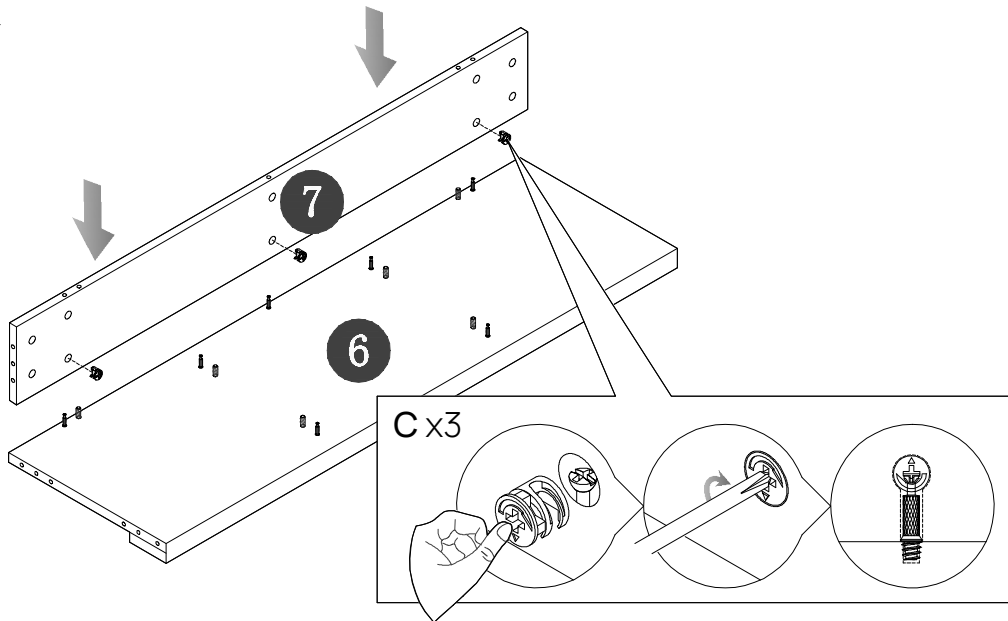
# LIVORNO

Ref: SC-0032

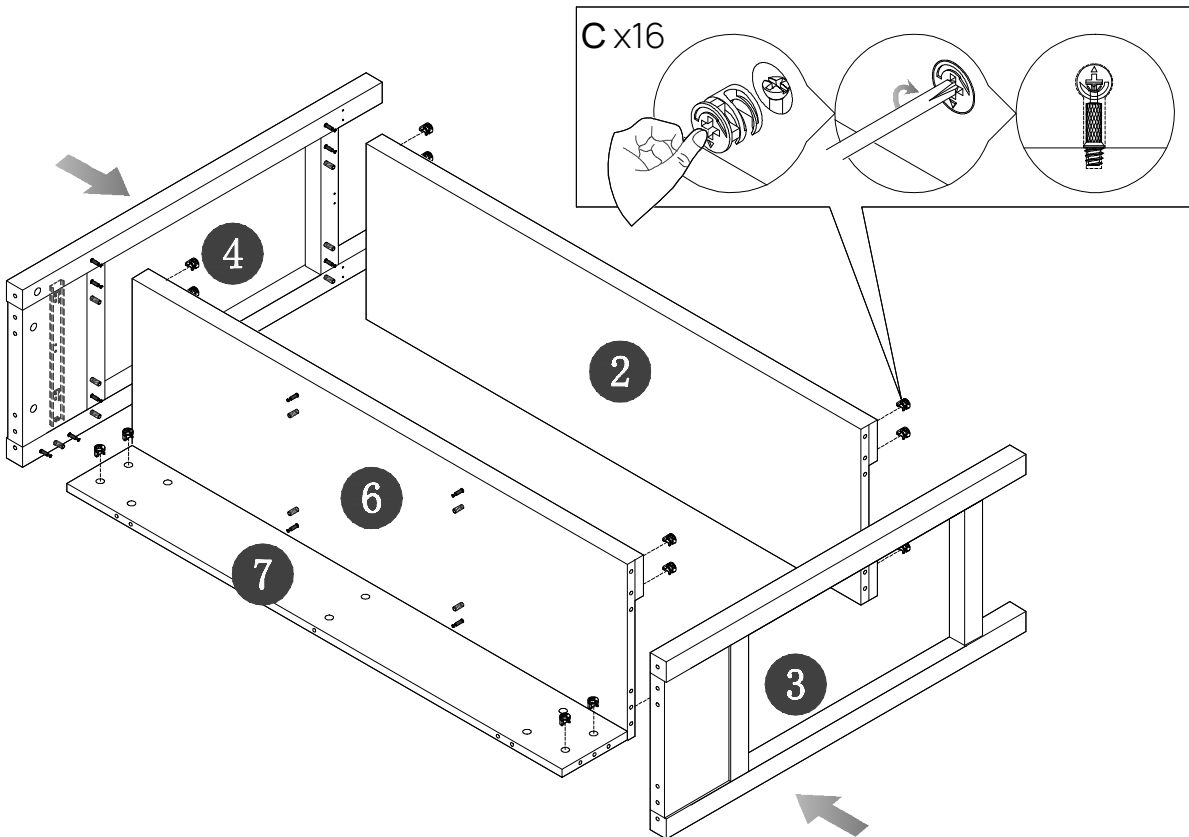
# KLAST

www.klathome.com

## STEP 3



## STEP 4



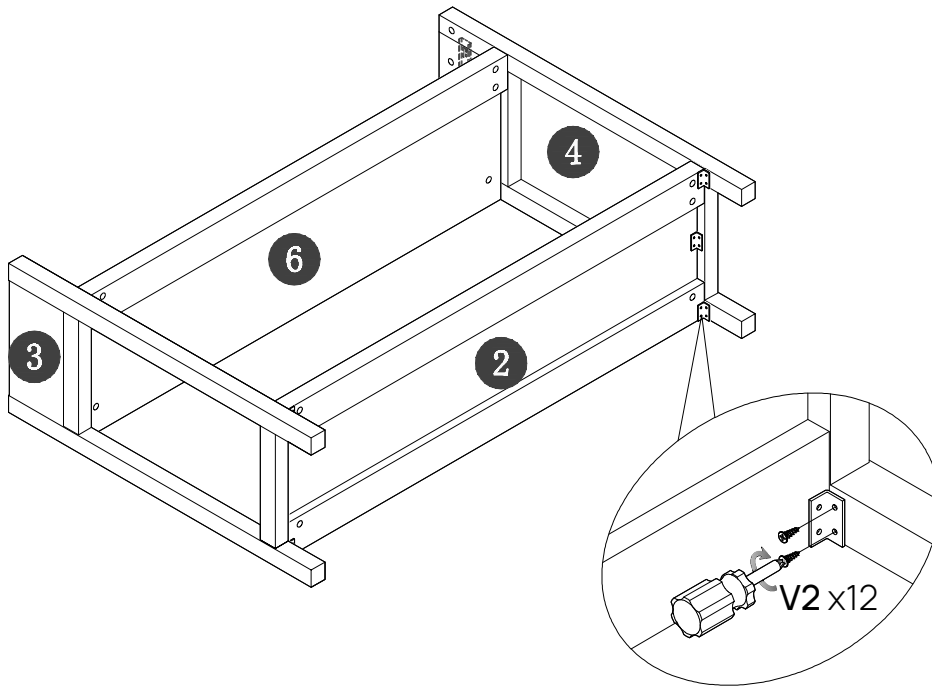
# LIVORNO

Ref: SC-0032

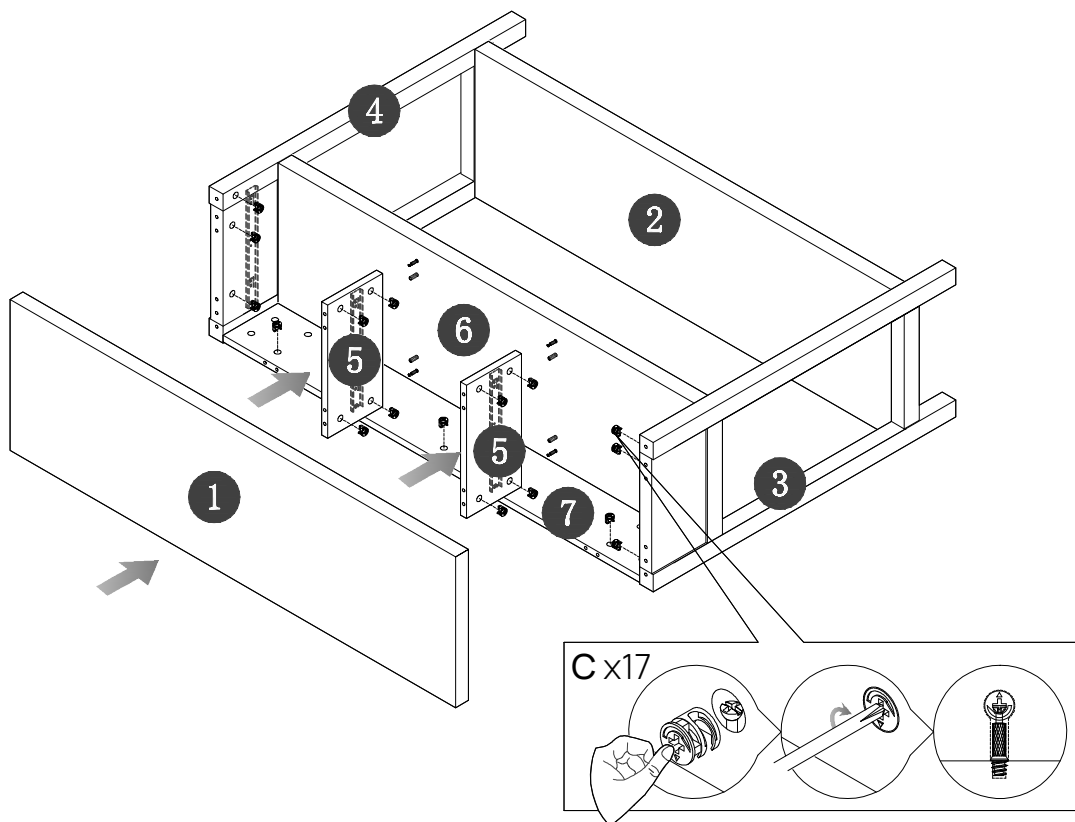
# KLAST

www.klasthome.com

## STEP 5



## STEP 6



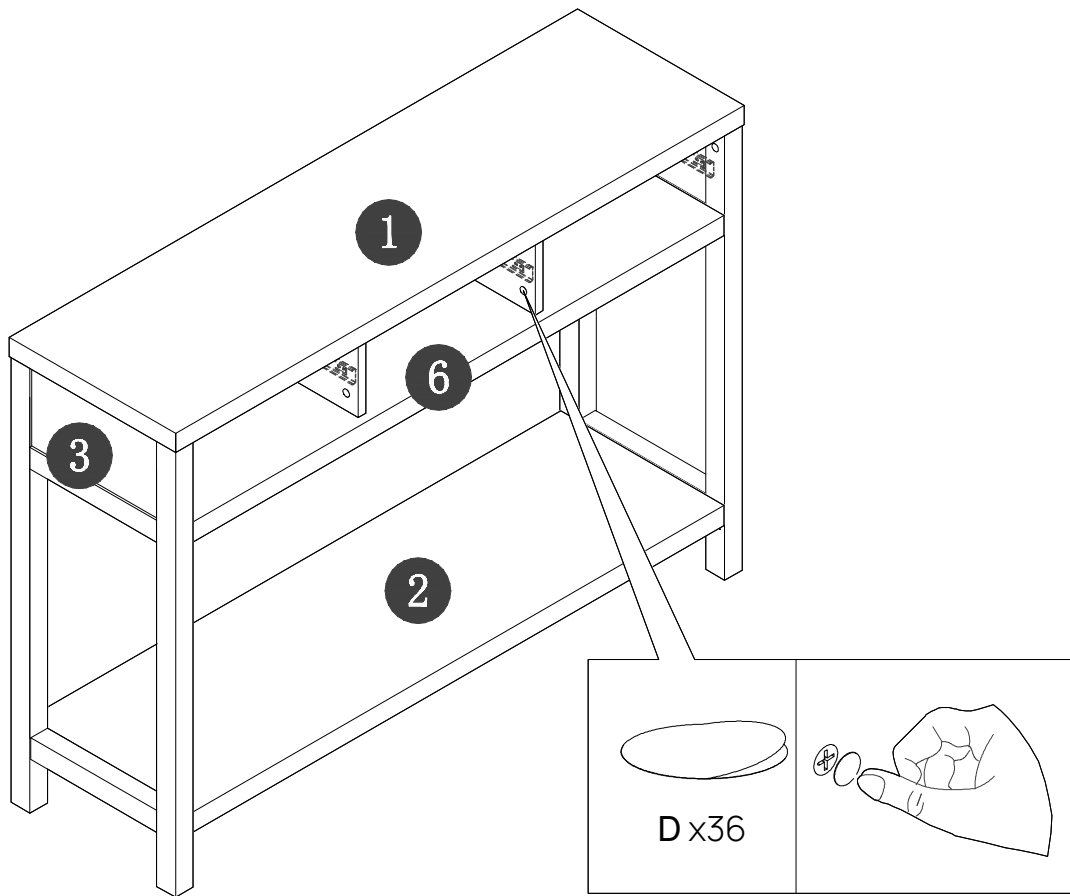
# LIVORNO

Ref: SC-0032

# KLAST

www.klasthome.com

## STEP 7



## LIVORNO

Ref: SC-0032

8/11

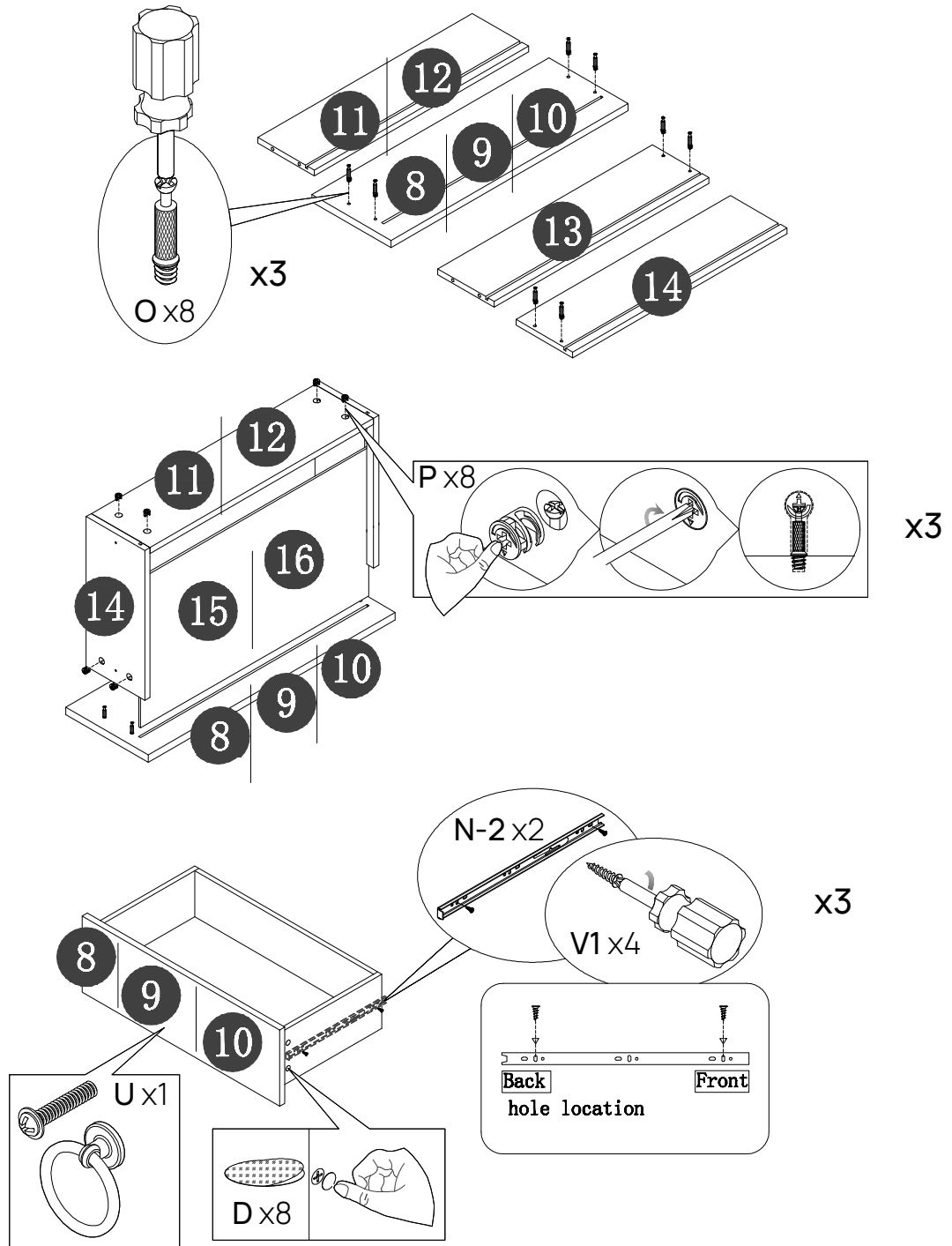
-V1.0-



# KLAST

www.klasthome.com

## STEP 8



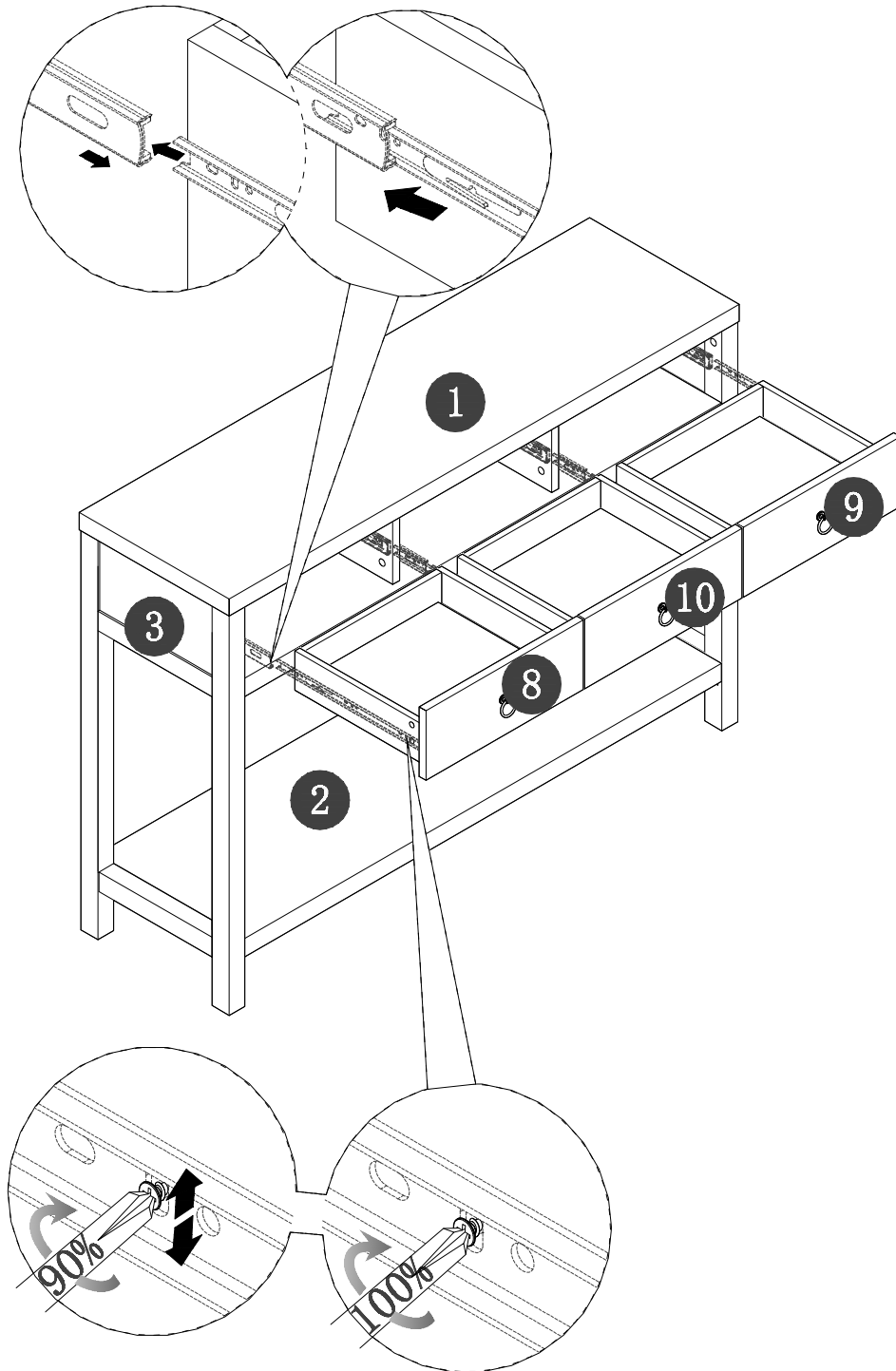
# LIVORNO

Ref: SC-0032

# KLAST

www.klasthome.com

## STEP 10



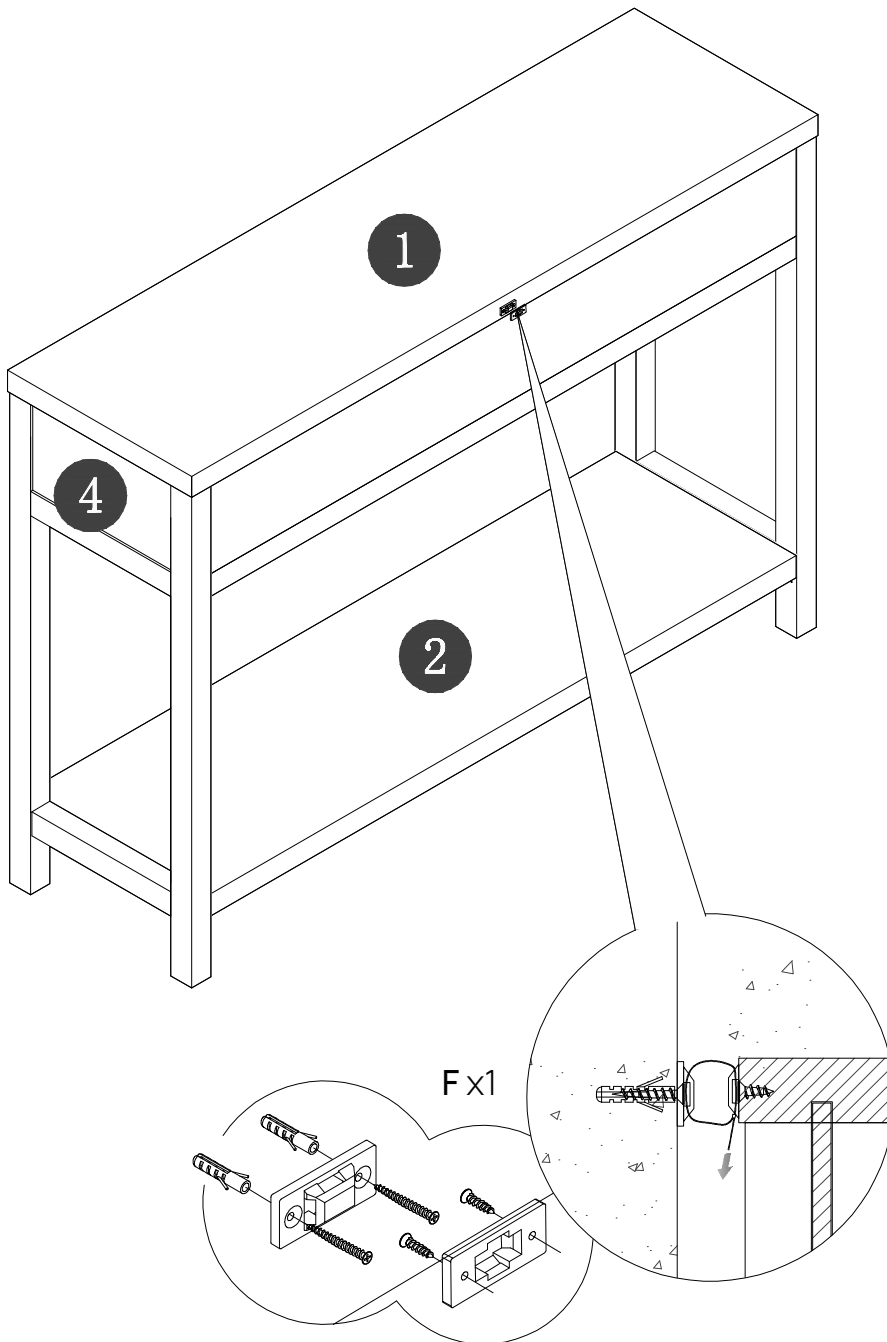
## LIVORNO

Ref: SC-0032

# KLAST

www.klasthome.com

## STEP 11



 **OBLIGATORY FIX ON THE WALL**

The needed hardware for the junction wall/furniture depends of the nature of the wall and is not provide.

## LIVORNO

Ref: SC-0032

11/11

-V1.0-