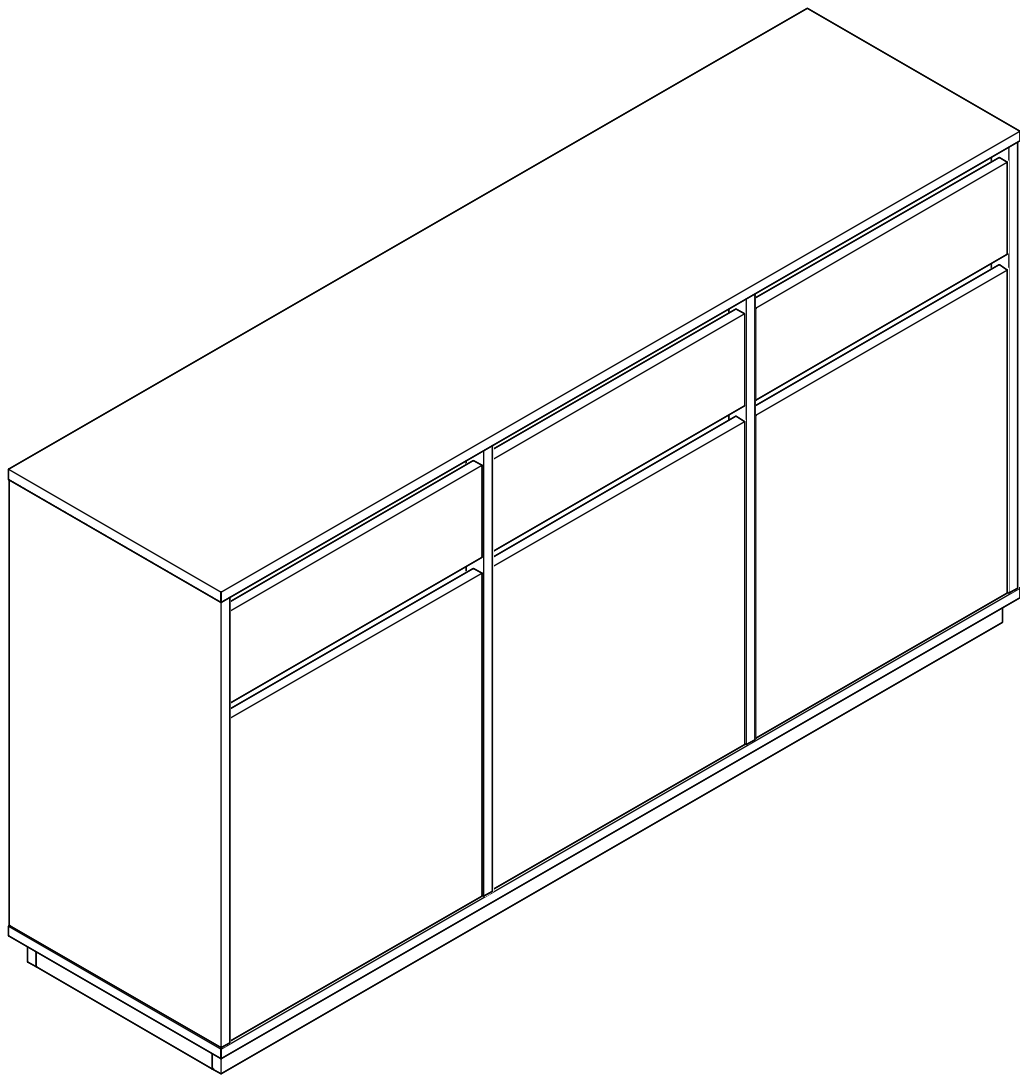


KLAST

www.klasthome.com



OSLO

Ref: LH-0014

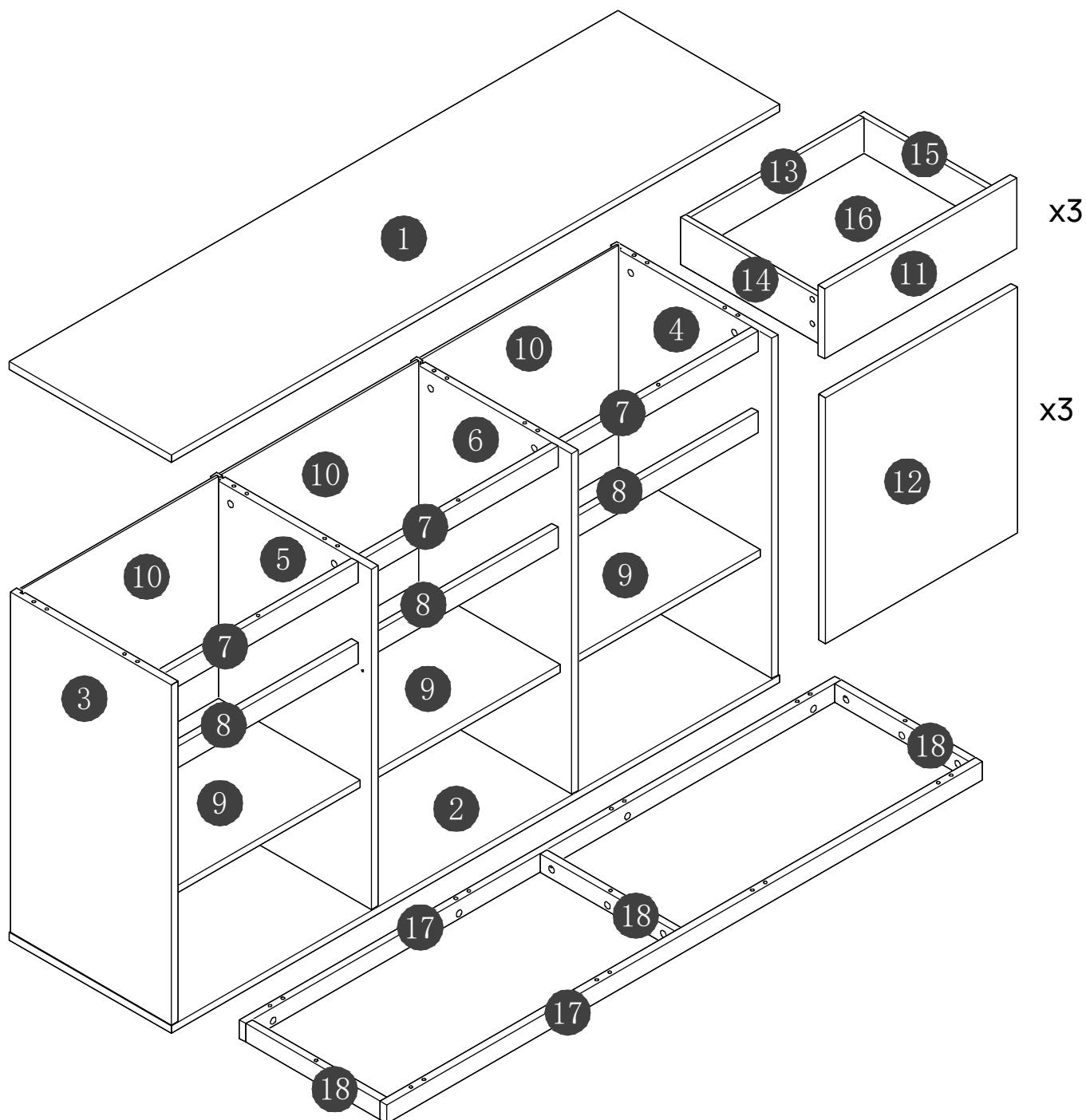
1/15

-V3.0-

KLAST

www.klasthome.com

MATERIAL



OSLO

Ref: LH-0014

2/15

-V3.0-

KLAST

www.klasthome.com

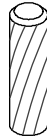
MATERIAL



M6x40 mm
A1 x35 PC



M6x35 mm
A2 x17 PC



Ø8x30 mm
B x42 PC



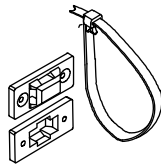
Ø15x12 mm
C x52 PC



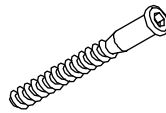
Ø21 mm
D x76 PC



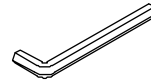
E x18 PC



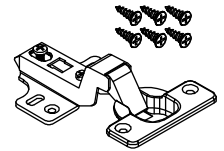
F x1 PC



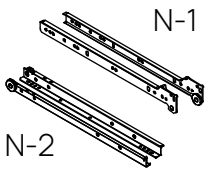
Ø7x50 mm
Q x8 PC



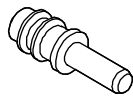
H x1 PC



I3 x6 PC



350 mm
N x3 PC



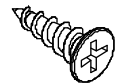
M x3 PC



M6x34 mm
O x24 PC



Ø12x10.5 mm
P x24 PC



M3.5x12 mm
V1 x30 PC

OSLO

Ref: LH-0014

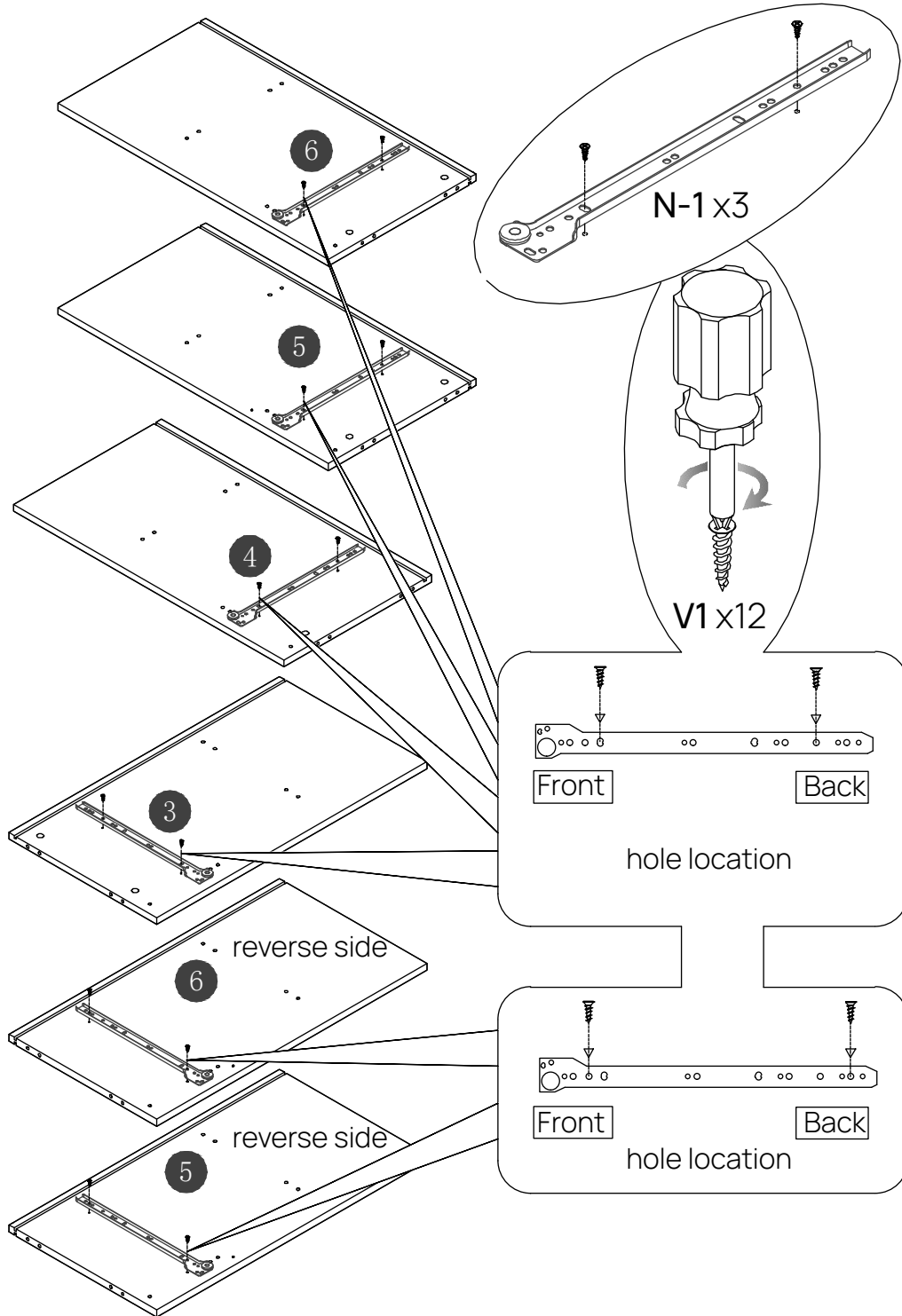
3/15

-V3.0-

KLAST

www.klasthome.com

STEP 1



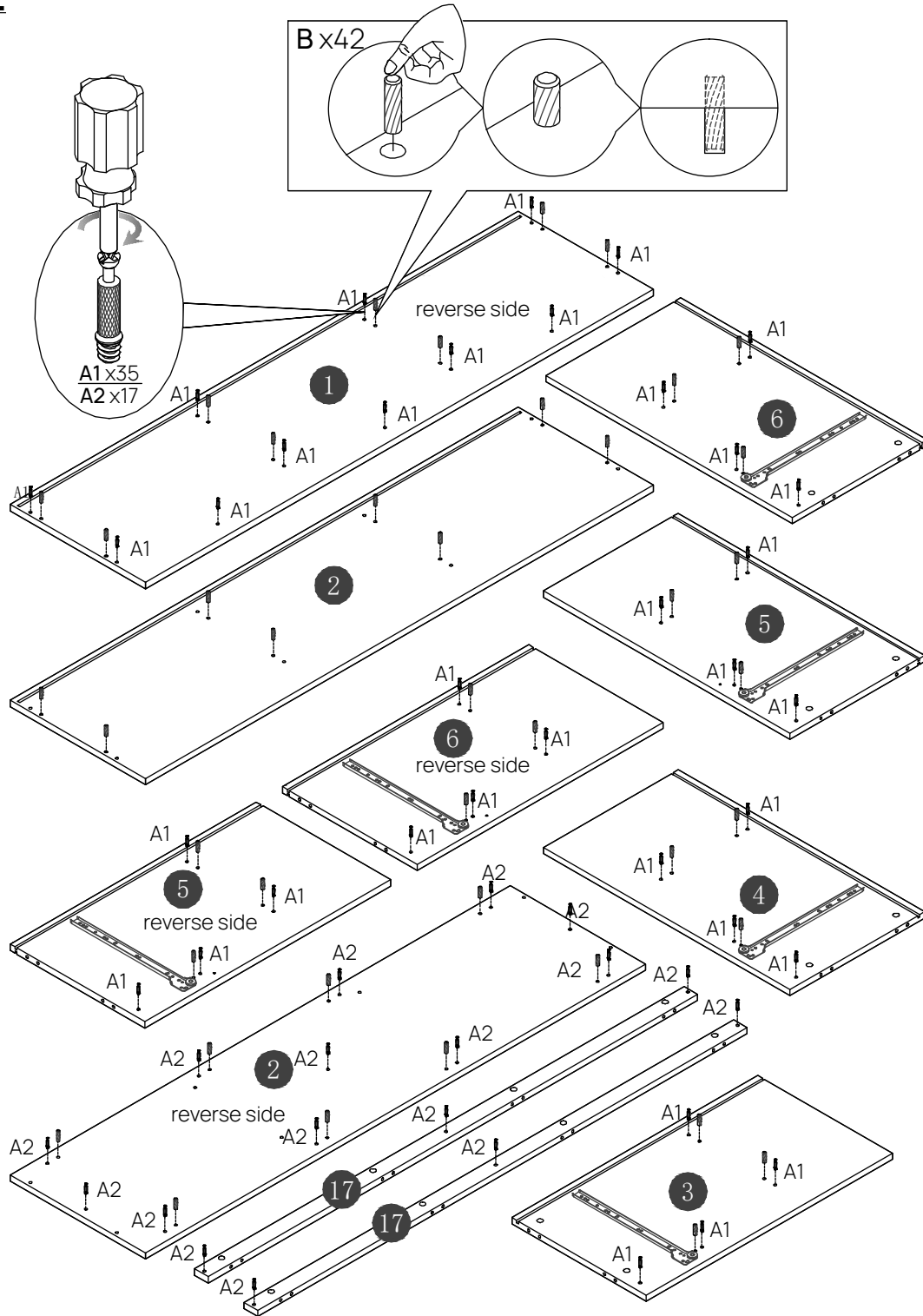
OSLO

Ref: LH-0014

KLAST

www.klathome.com

STEP 2



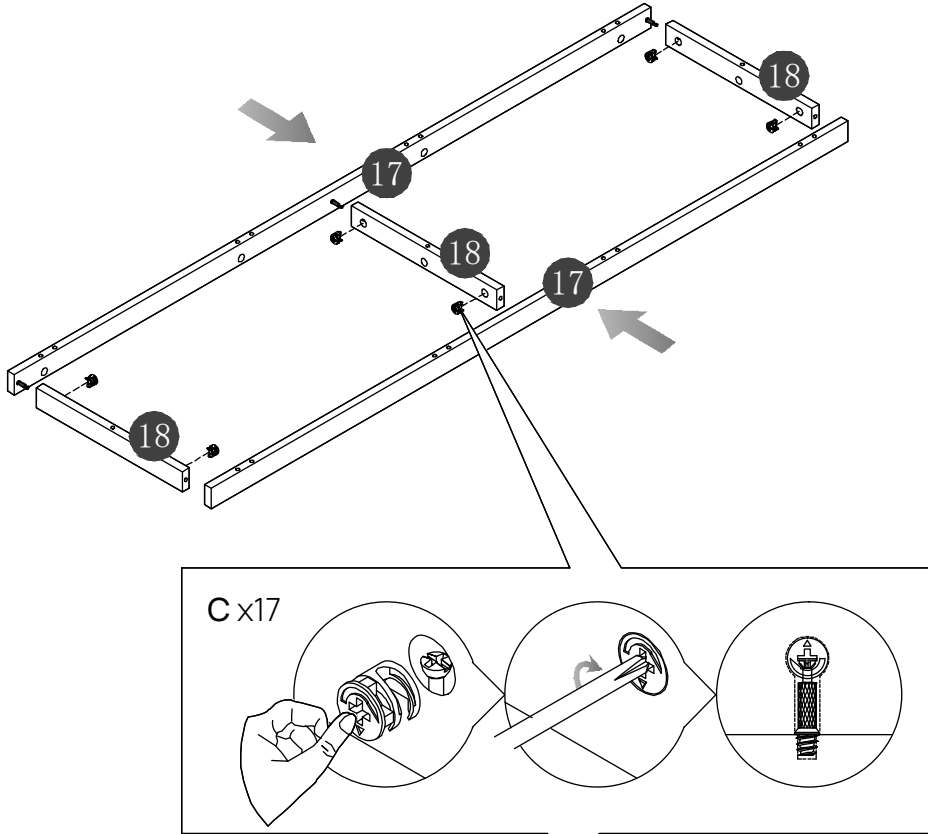
OSLO

Ref: LH-0014

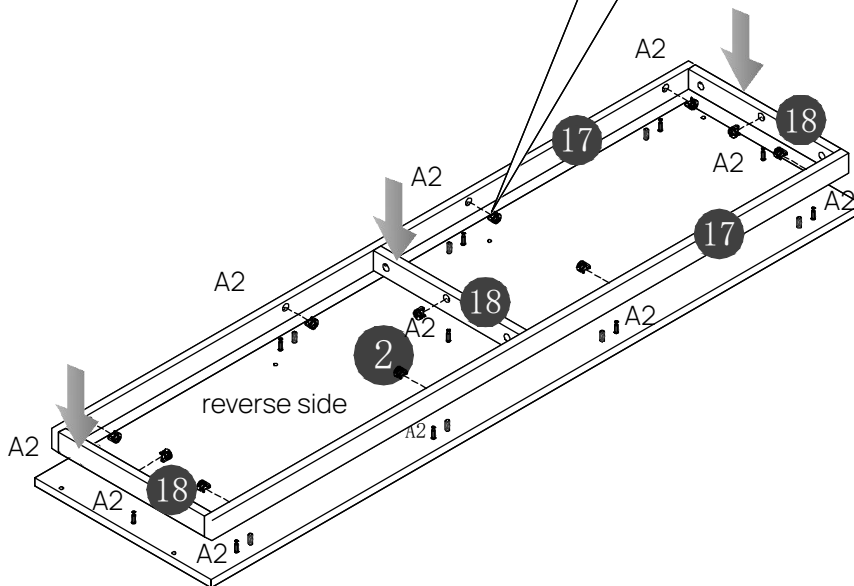
KLAST

www.klathome.com

STEP 3



STEP 4



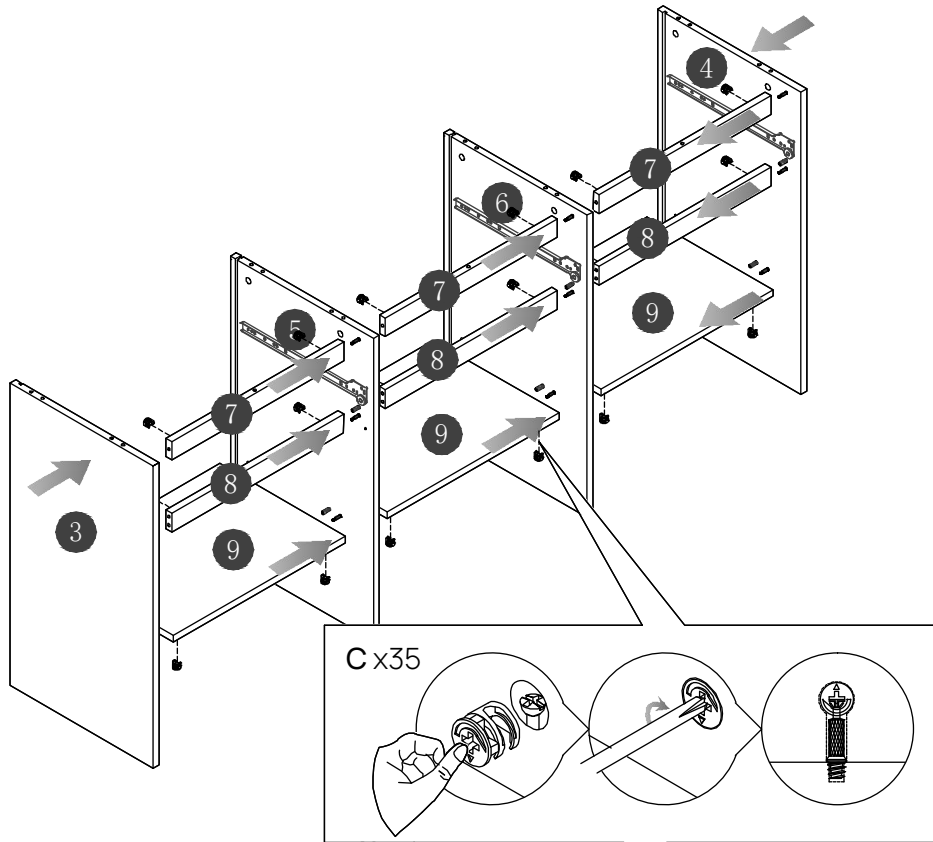
OSLO

Ref: LH-0014

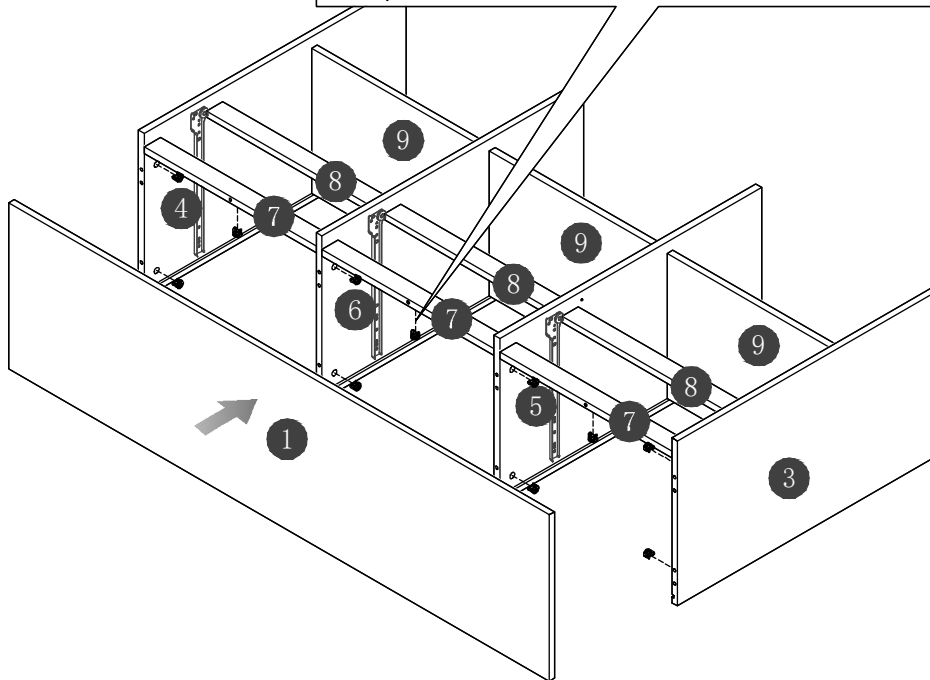
KLAST

www.klasthome.com

STEP 5



STEP 6



OSLO

Ref: LH-0014

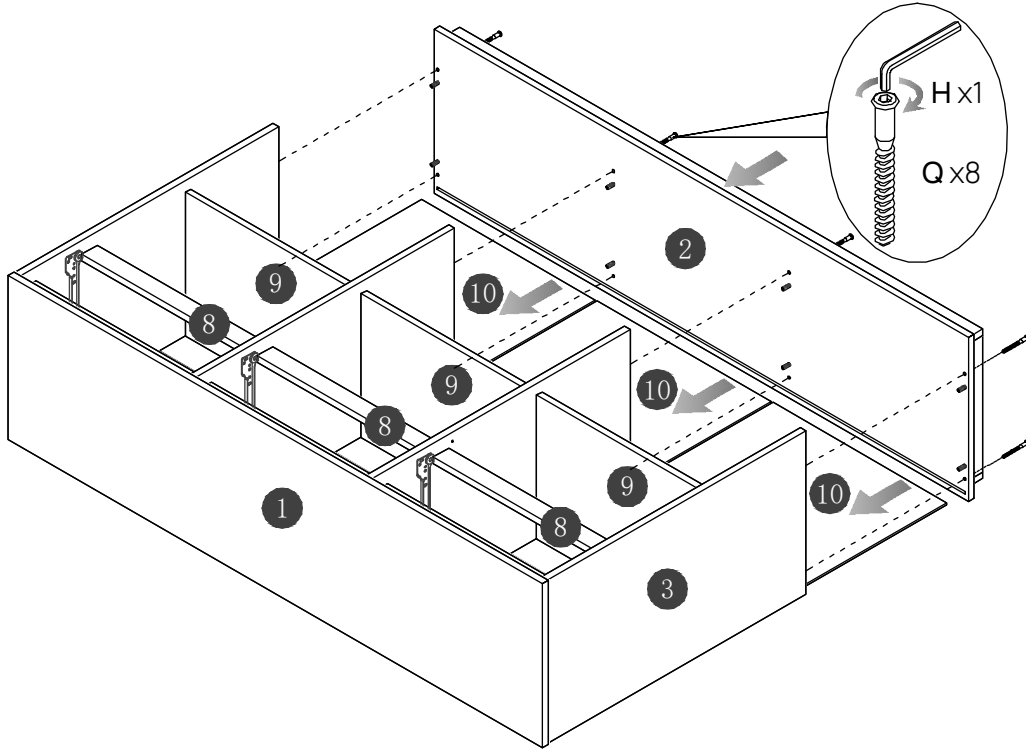
7/15

-V3.0-

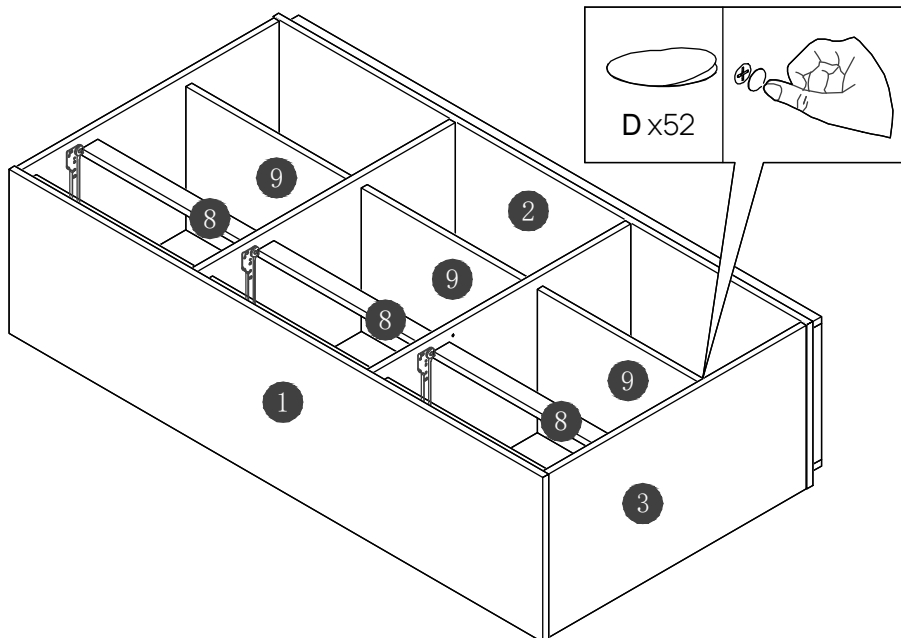
KLAST

www.klathome.com

STEP 7



STEP 8



OSLO

Ref: LH-0014

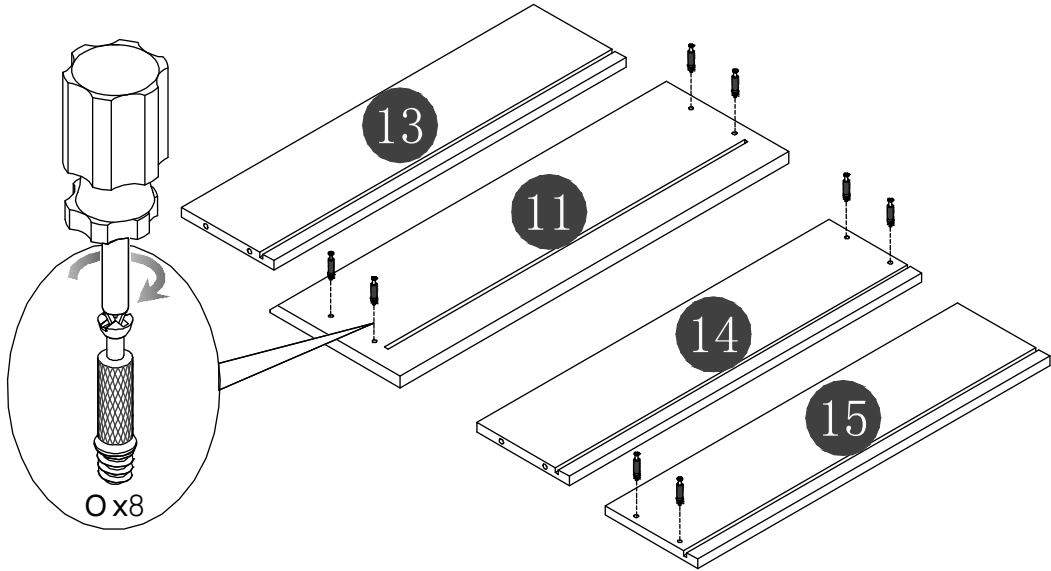
8/15

-V3.0-

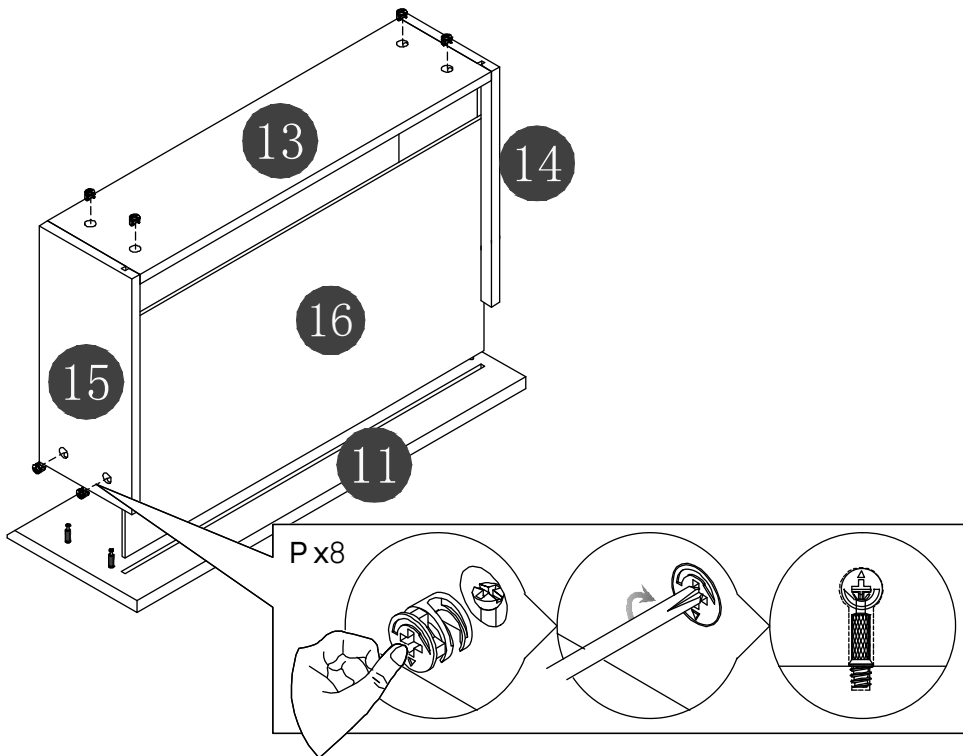
KLAST

www.klasthome.com

STEP 9



STEP 10



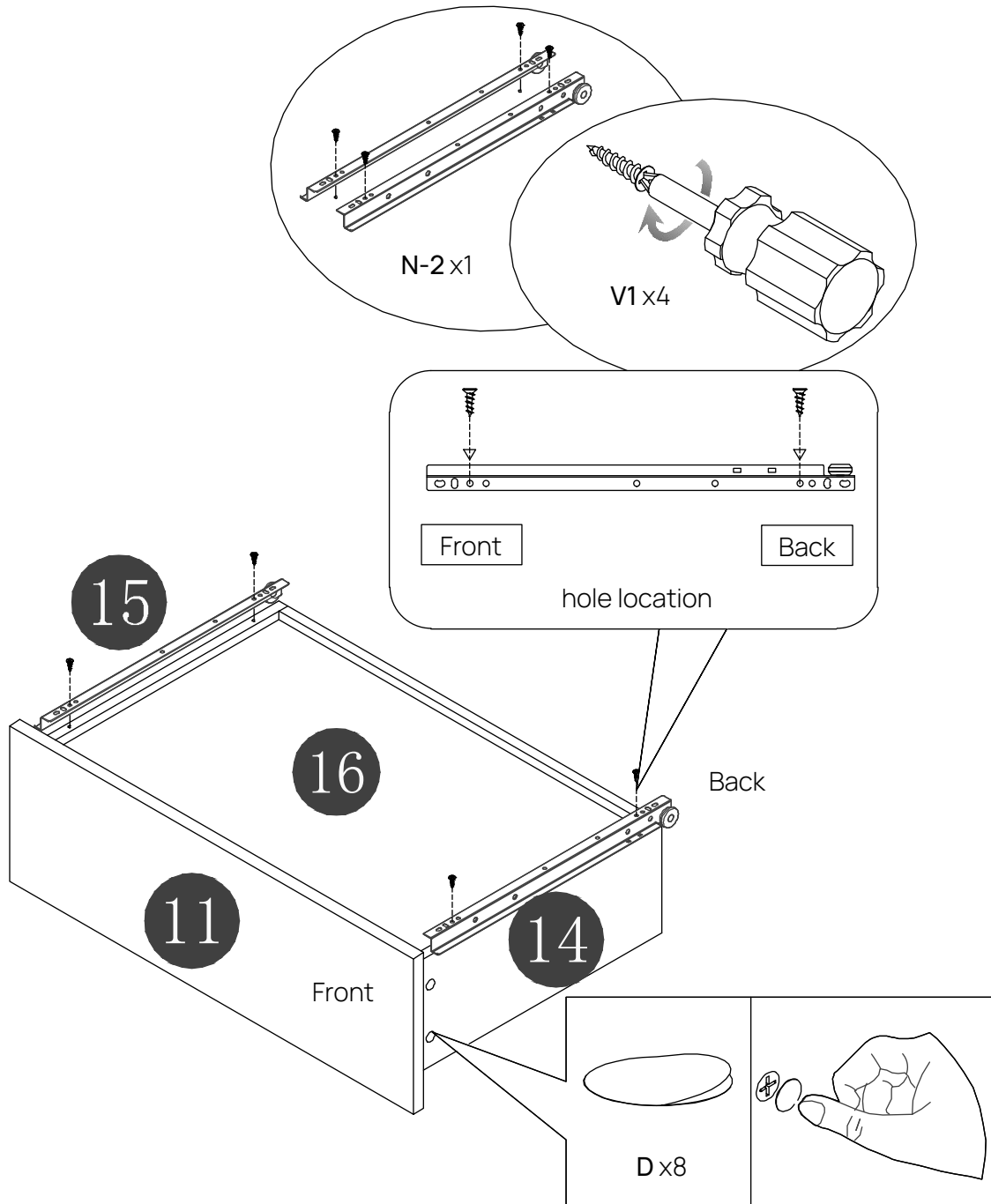
OSLO

Ref: LH-0014

KLAST

www.klasthome.com

STEP 11



OSLO

Ref: LH-0014

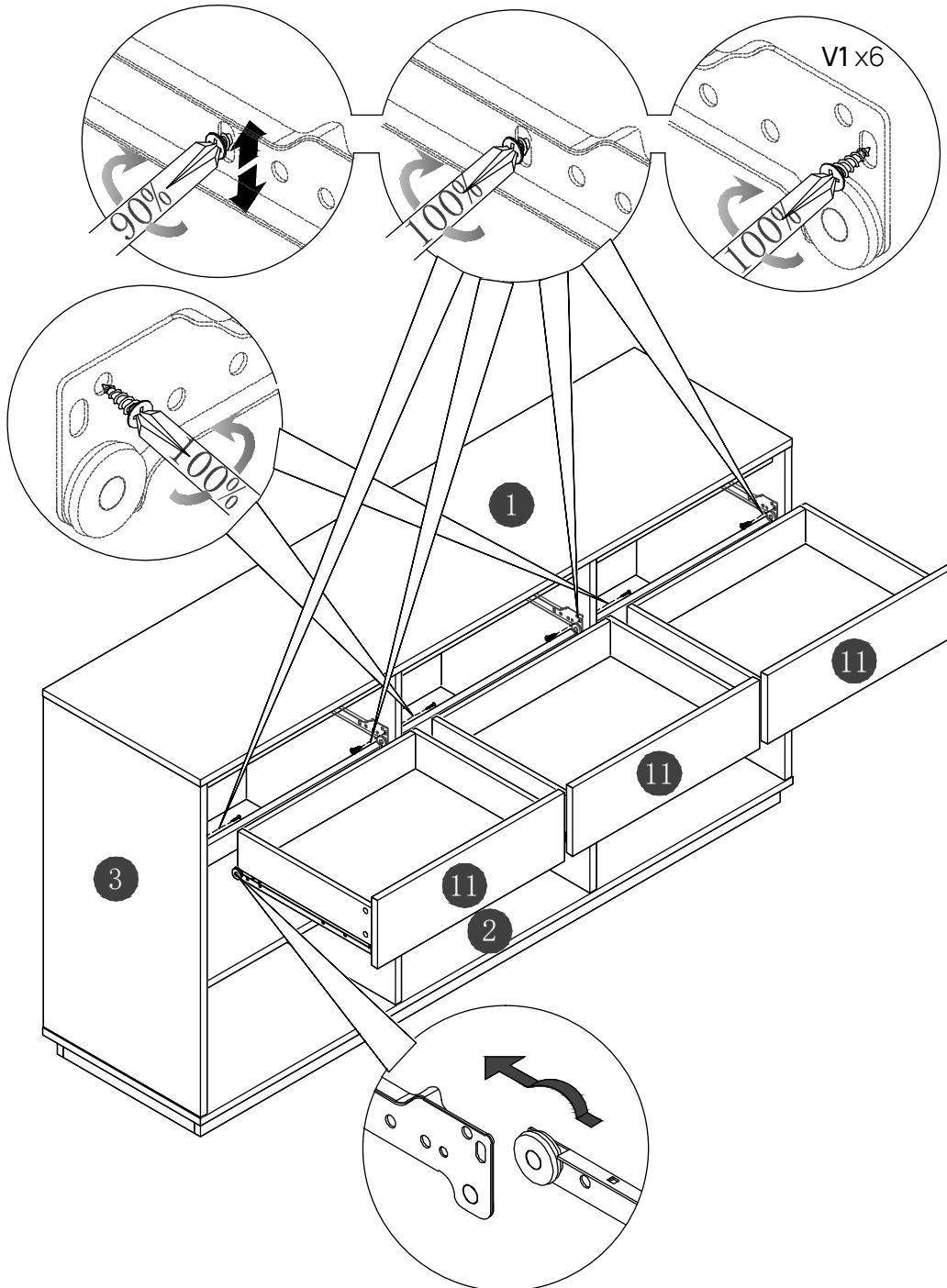
10/15

-V3.0-

KLAST

www.klasthome.com

STEP 12



OSLO

Ref: LH-0014

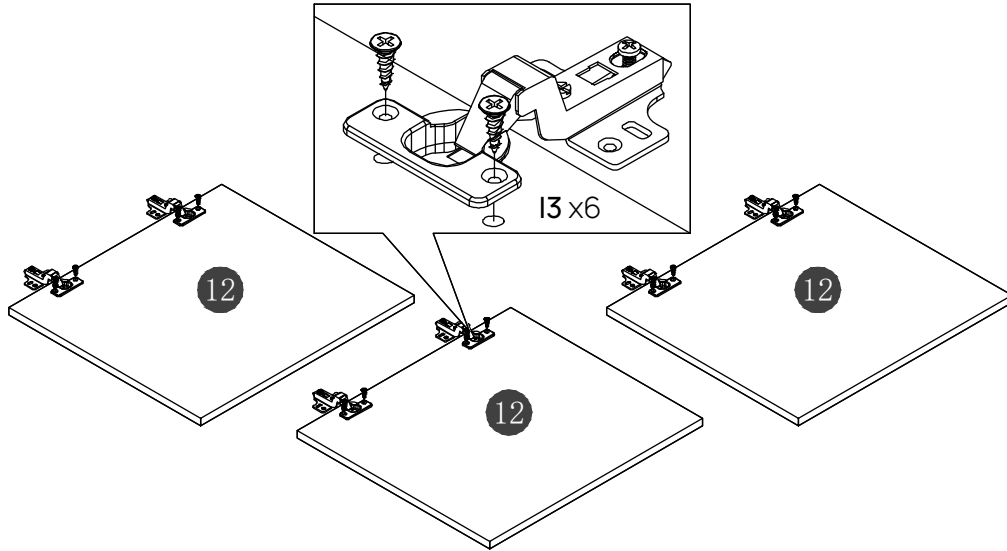
11/15

-V3.0-

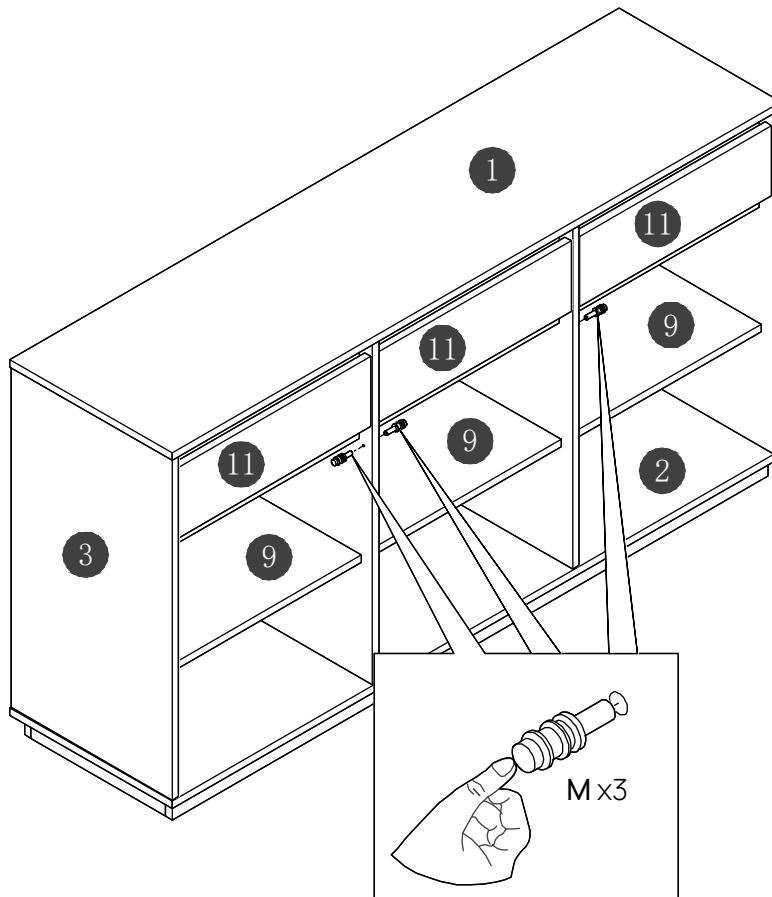
KLAST

www.klasthome.com

STEP 13



STEP 14



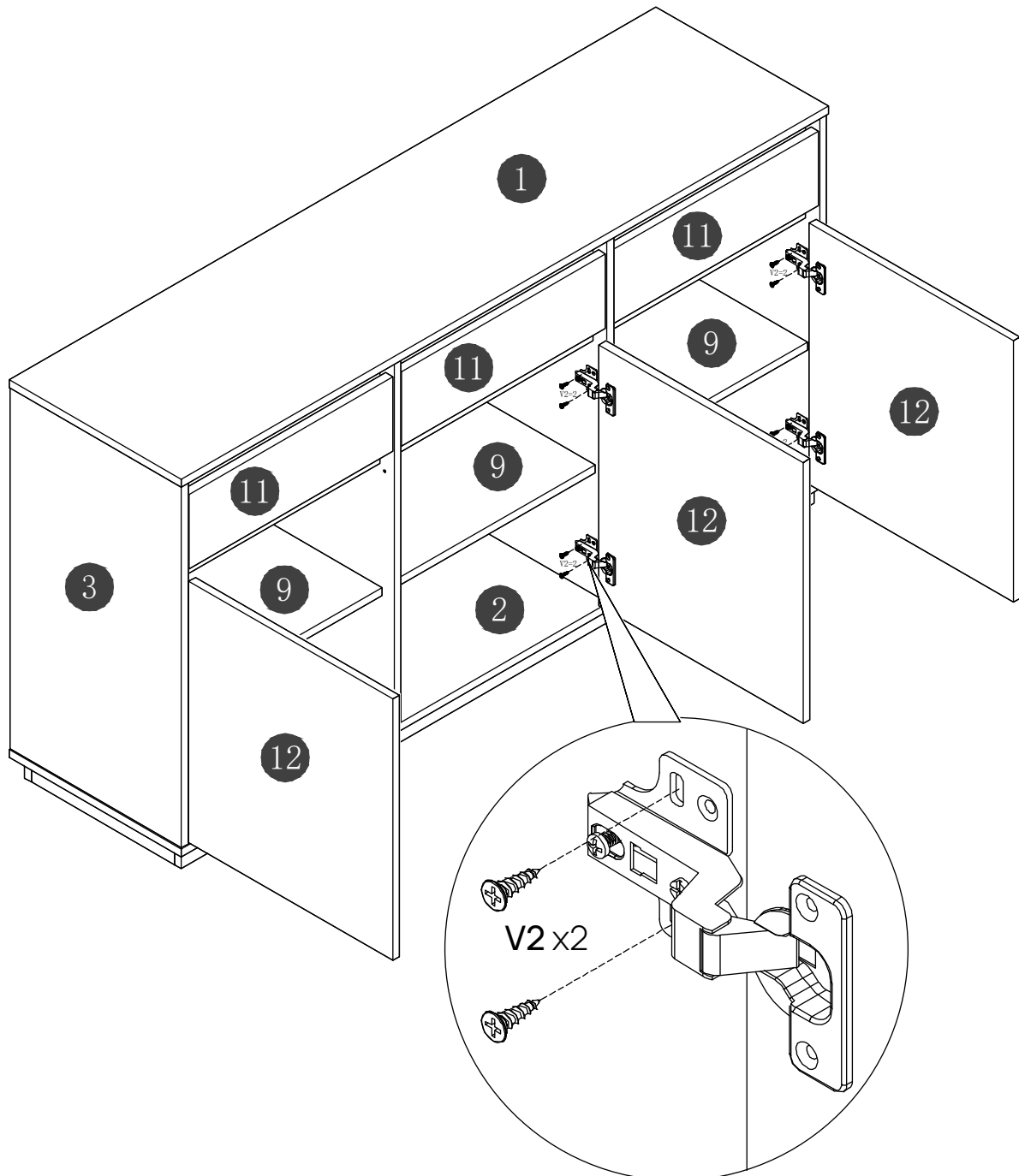
OSLO

Ref: LH-0014

KLAST

www.klasthome.com

STEP 15



OSLO

Ref: LH-0014

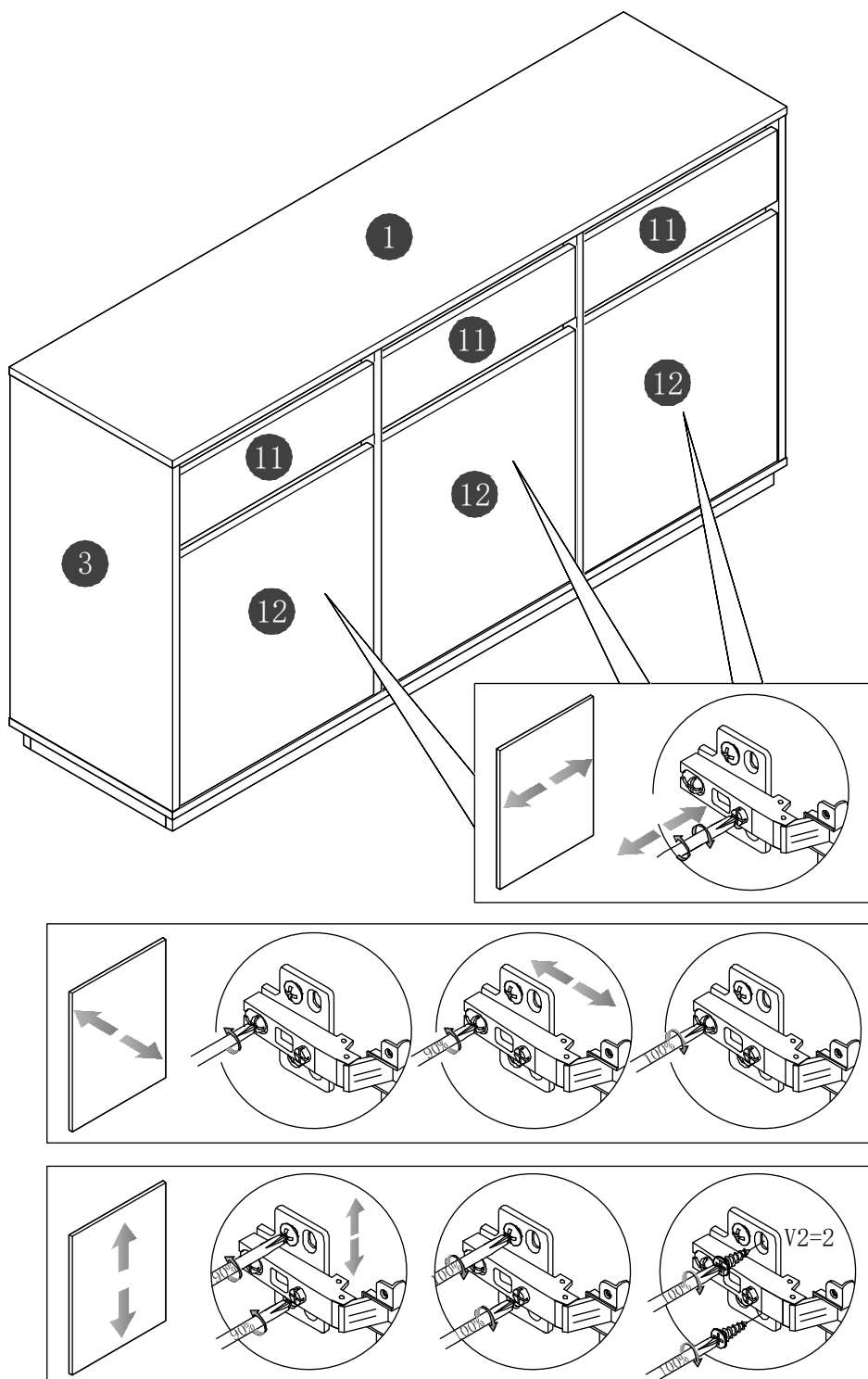
13/15

-V3.0-

KLAST

www.klathome.com

STEP 16



OSLO

Ref: LH-0014

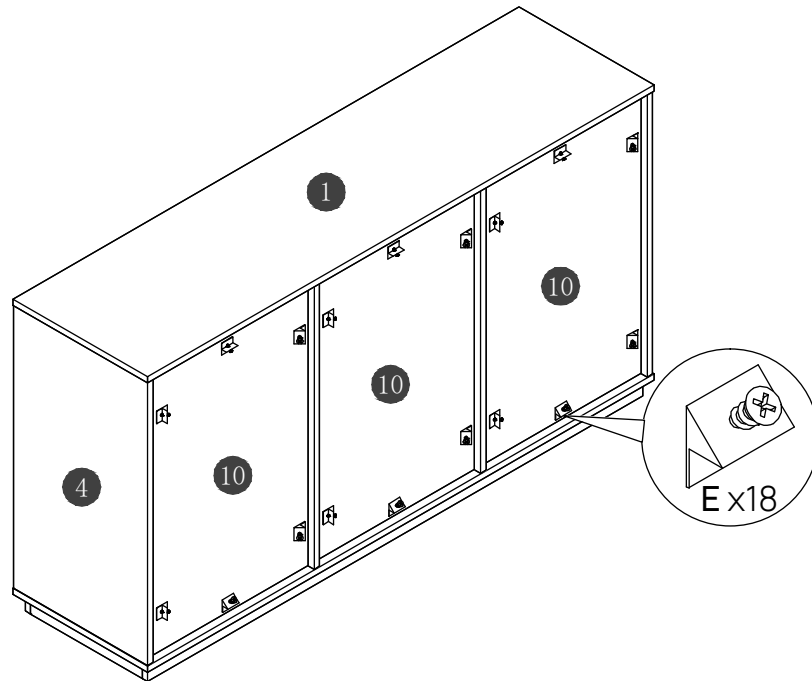
14/15

-V3.0-

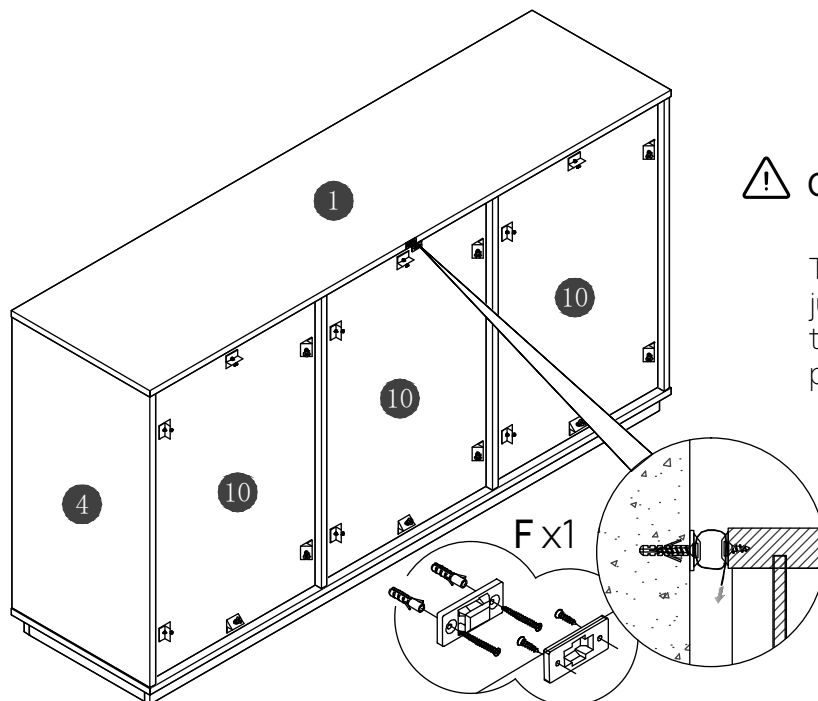
KLAST

www.klathome.com

STEP 17



STEP 18



! OBLIGATORY FIX ON THE WALL

The needed hardware for the junction wall/furniture depends of the nature of the wall and is not provide.

OSLO

Ref: LH-0014

15/15

-V3.0-