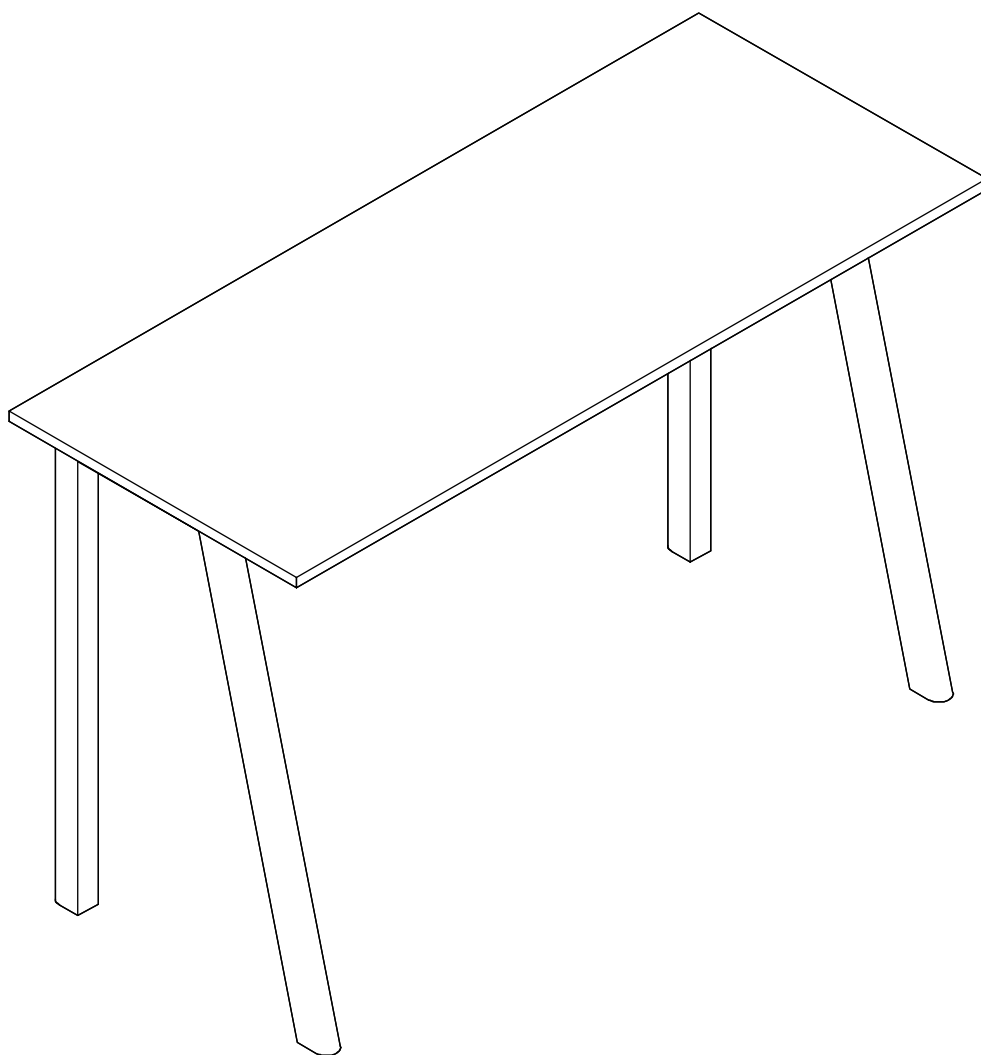


# KLAST

[www.klasthome.com](http://www.klasthome.com)



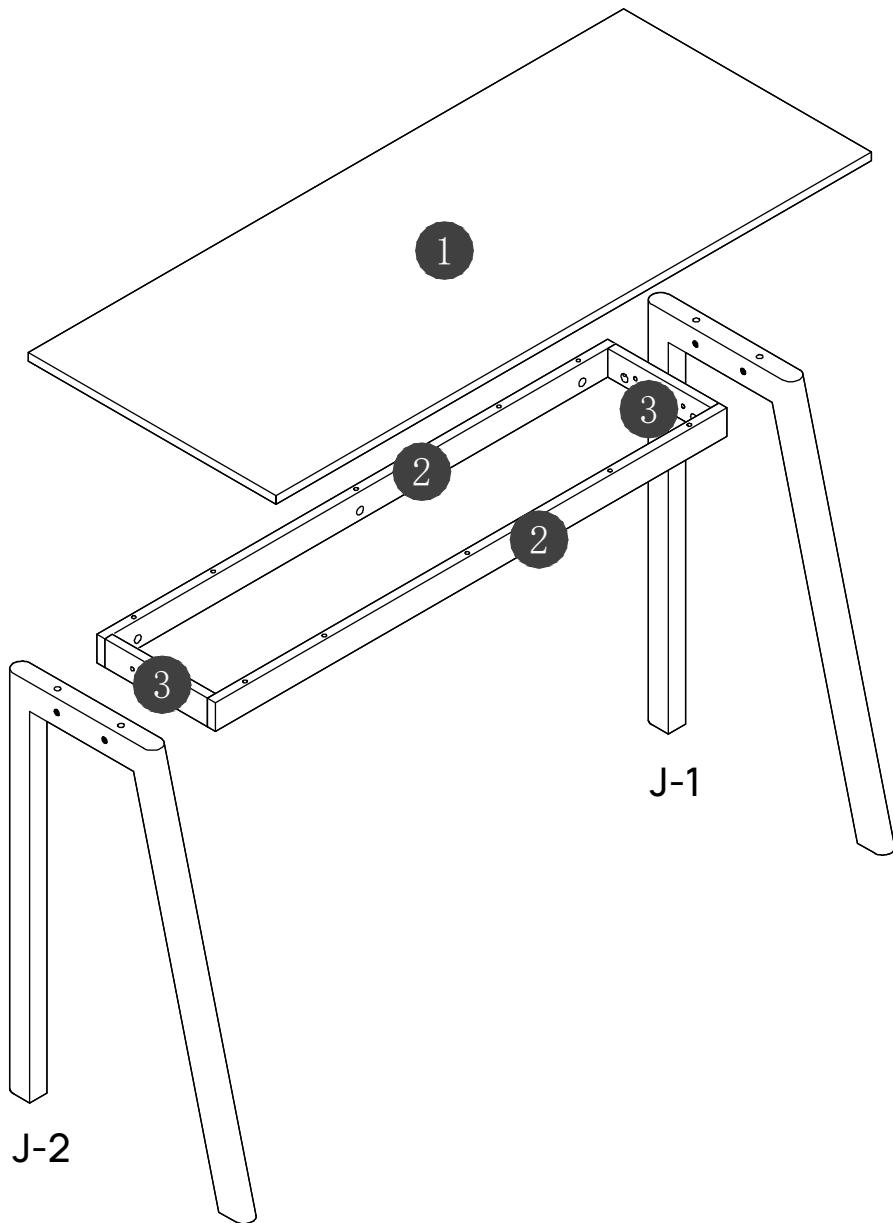
## ERIK

Ref: SC-0040

# KLAST

www.klasthome.com

## MATERIAL



# ERIK

Ref: SC-0040

# KLAST

www.klasthome.com

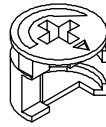
## MATERIAL



M6x40 mm  
A x10 PC



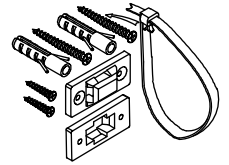
Ø8x30 mm  
B x8 PC



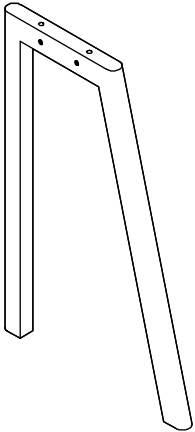
Ø15x12 mm  
C x10 PC



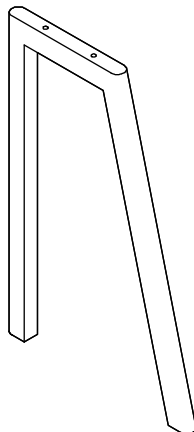
Ø21 mm  
D x10 PC



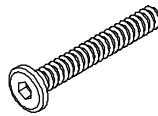
F x1 PC



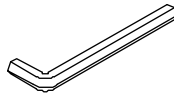
J-1 x1 PC



J-2 x1 PC



M6x40 mm  
G x8 PC



M4  
H x1 PC

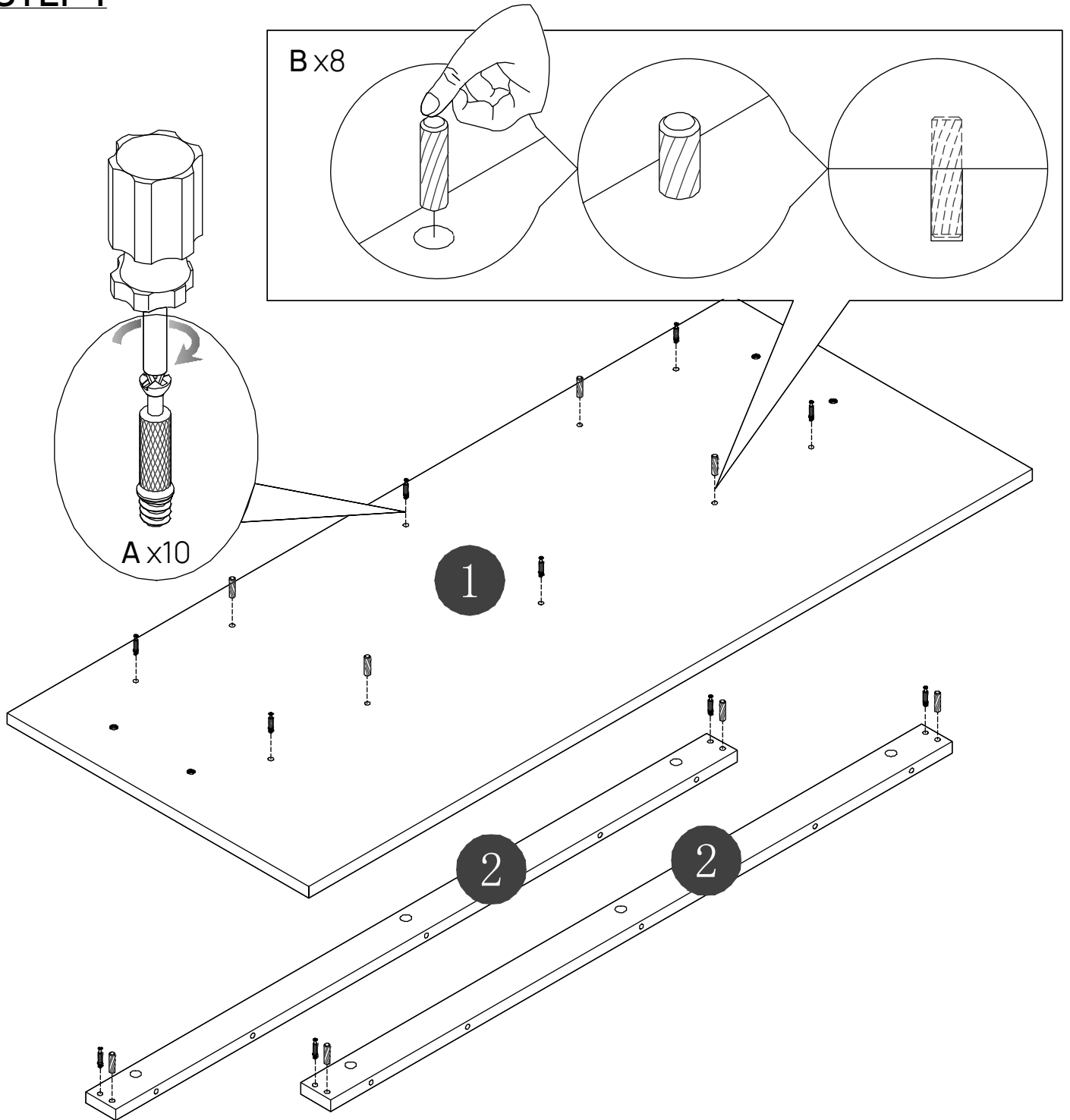
# ERIK

Ref: SC-0040

# KLAST

www.klasthome.com

## STEP 1



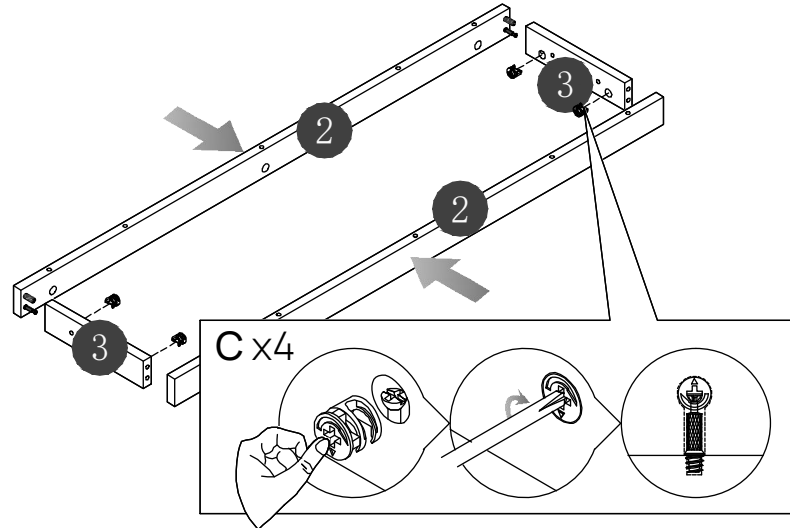
# ERIK

Ref: SC-0040

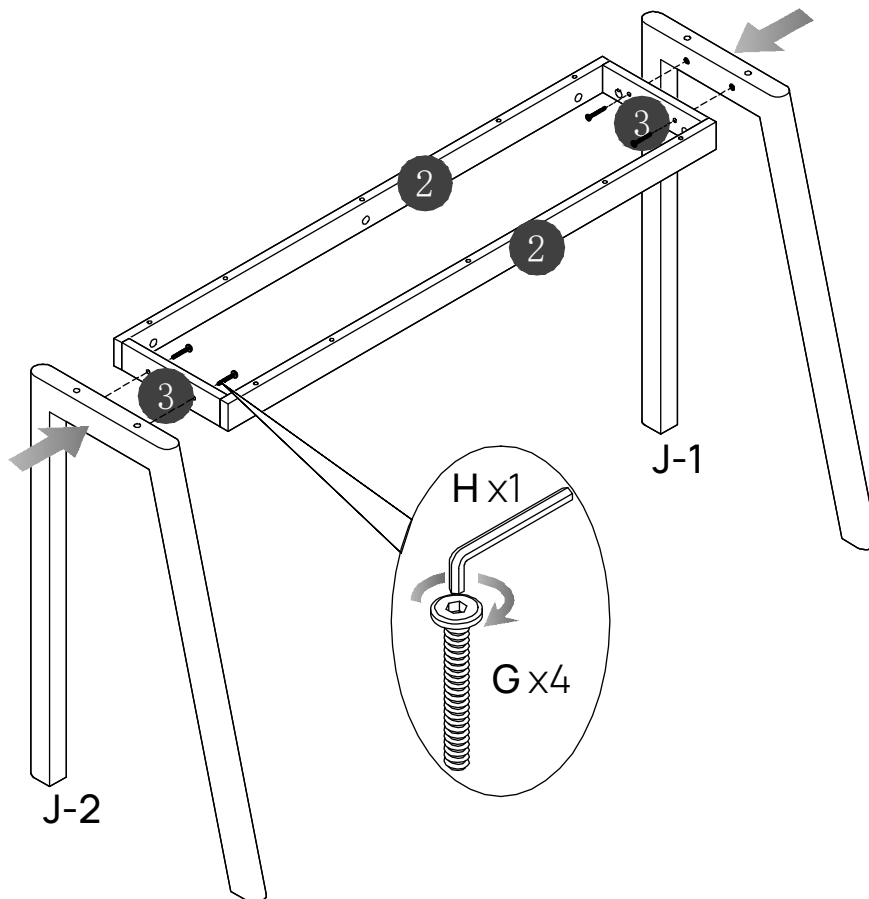
# KLAST

www.klasthome.com

## STEP 2



## STEP 3



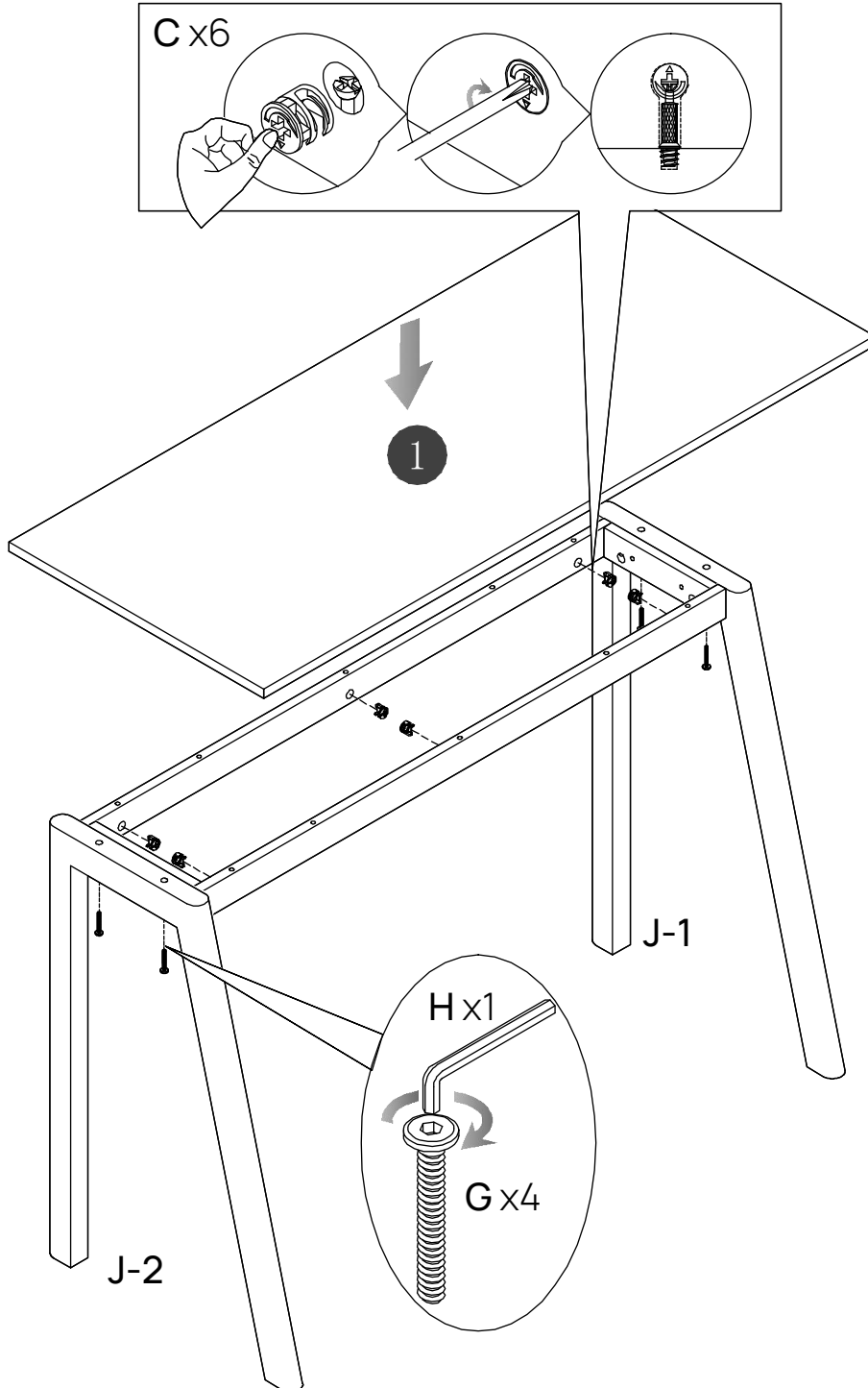
# ERIK

Ref: SC-0040

# KLAST

www.klasthome.com

## STEP 4



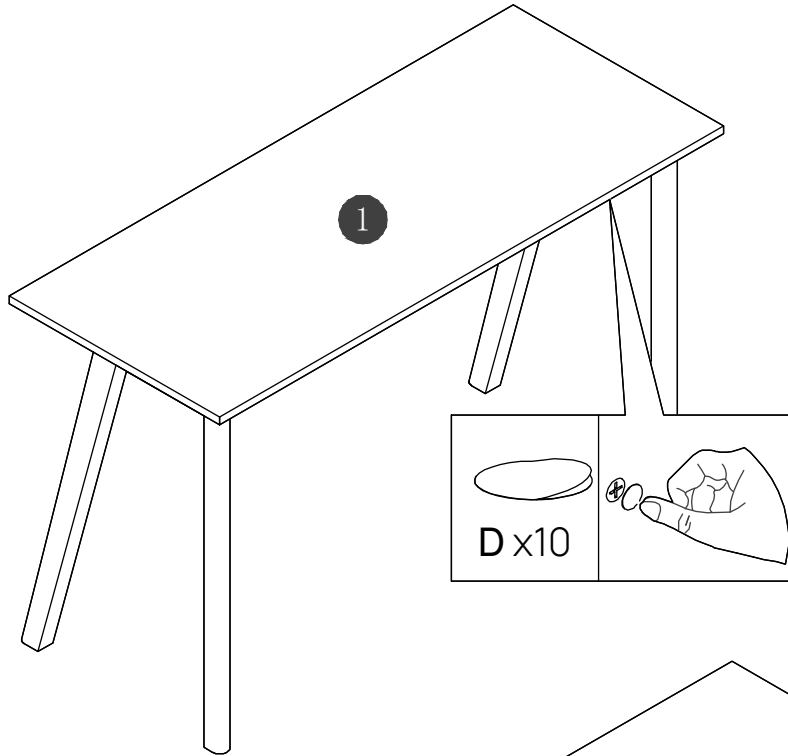
# ERIK

Ref: SC-0040

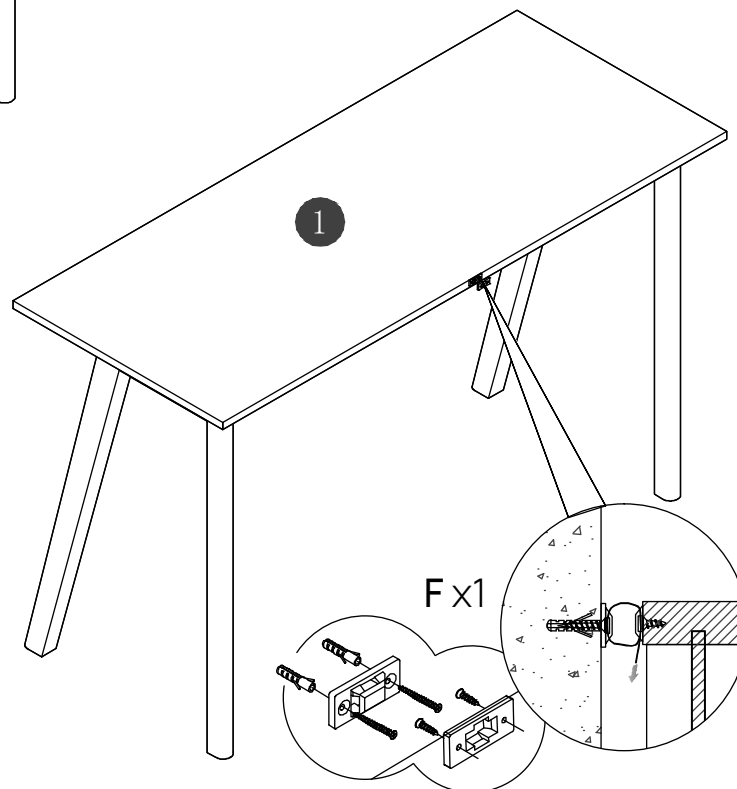
# KLAST

www.klasthome.com

## STEP 5



## STEP 6



# ERIK

Ref: SC-0040

7/7

-V1.0-