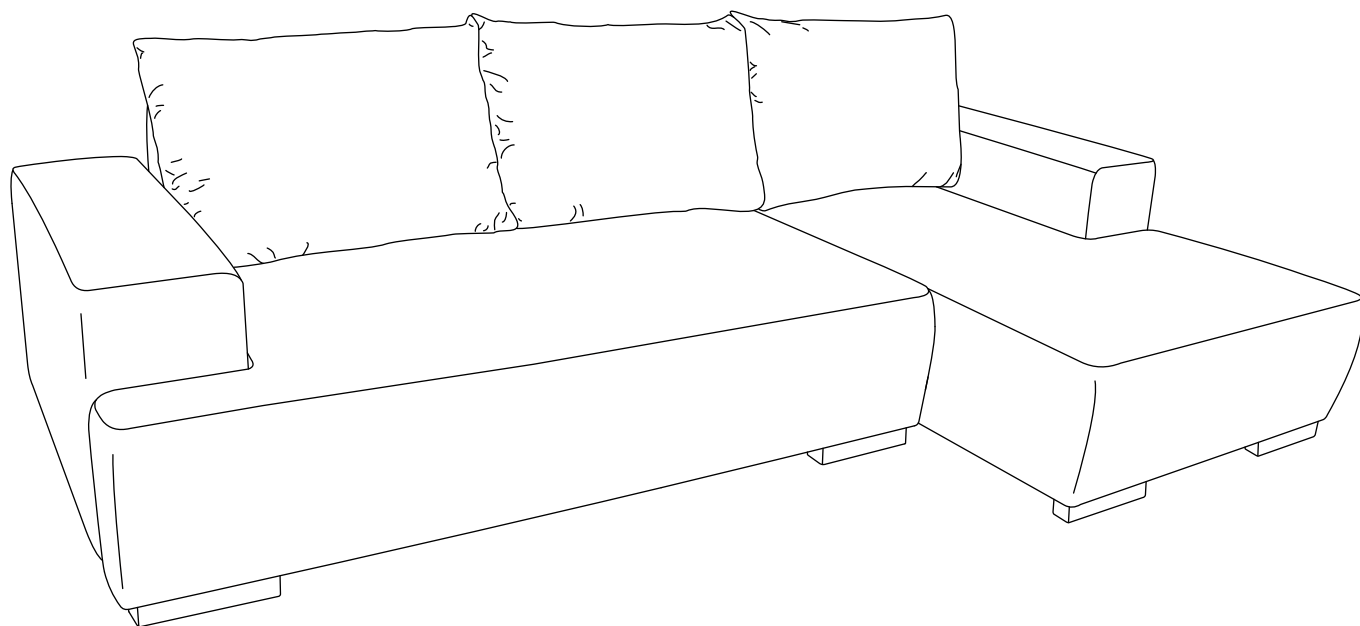


KLAST

www.klasthome.com



ALAN

Ref:AQ-0009

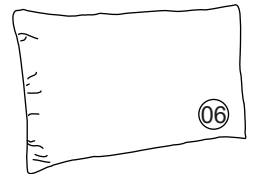
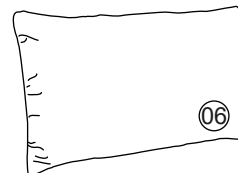
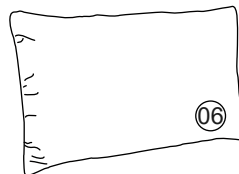
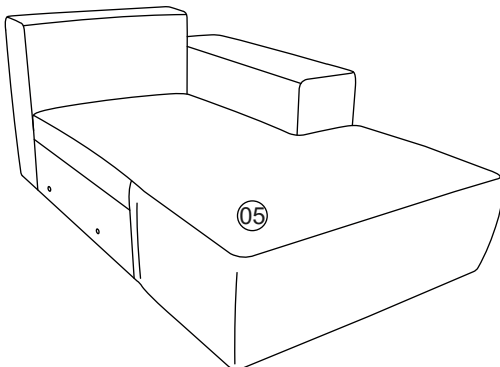
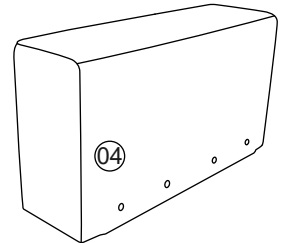
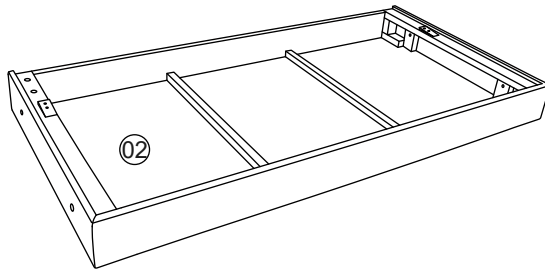
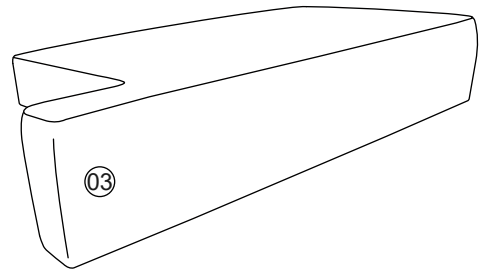
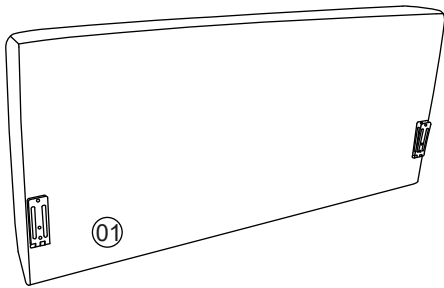
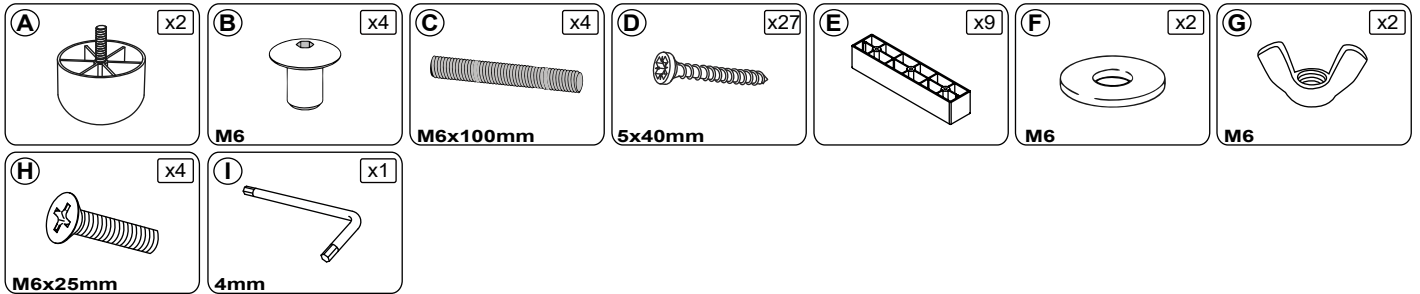
1/7

-V1.0-

KLAST

www.klathome.com

MATERIAL



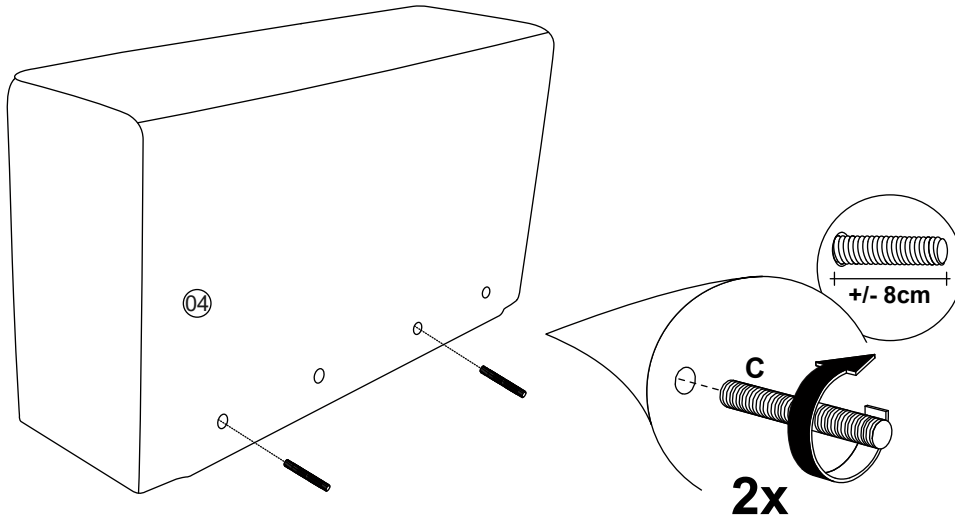
ALAN

Ref:AQ-0009

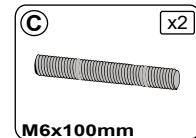
KLAST

www.klathome.com

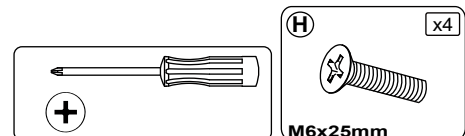
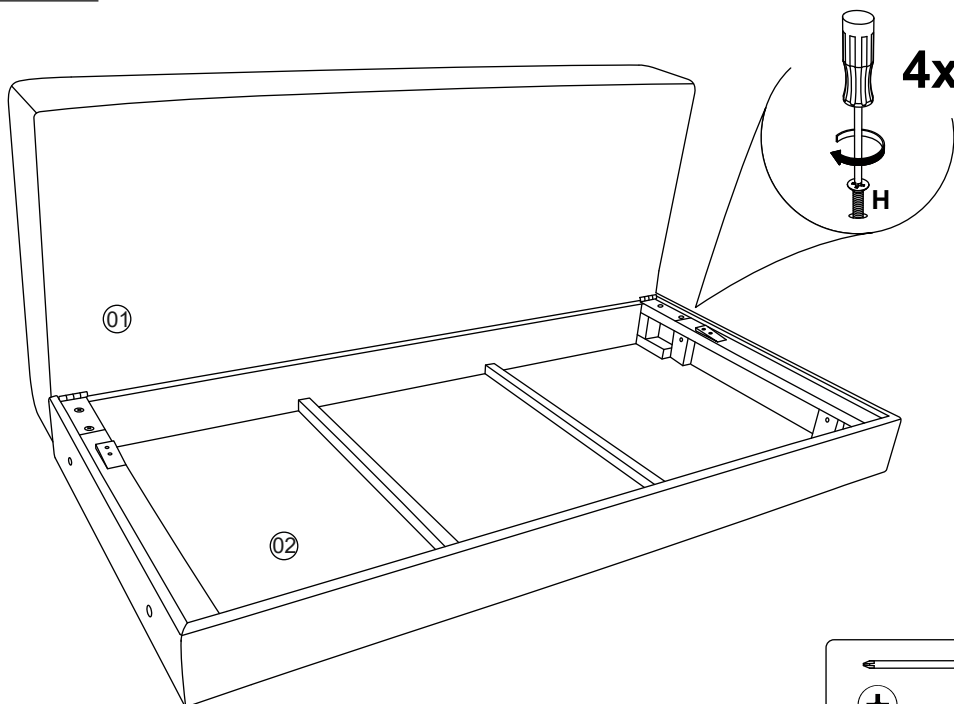
STEP 1



Never force the joints.
Tighten the screws after
some time of use.



STEP 2



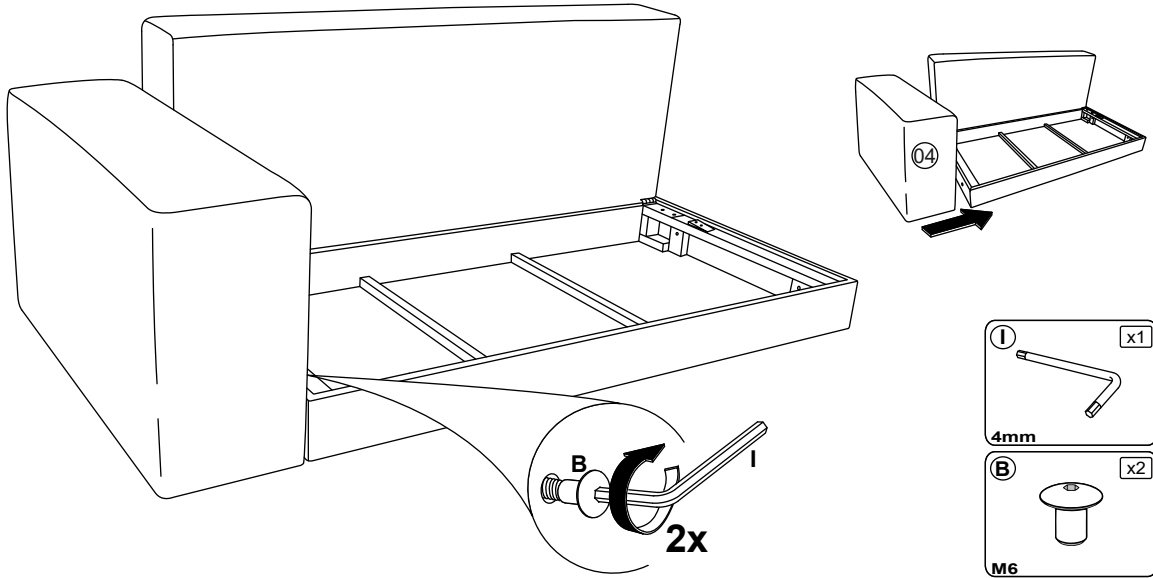
ALAN

Ref:AQ-0009

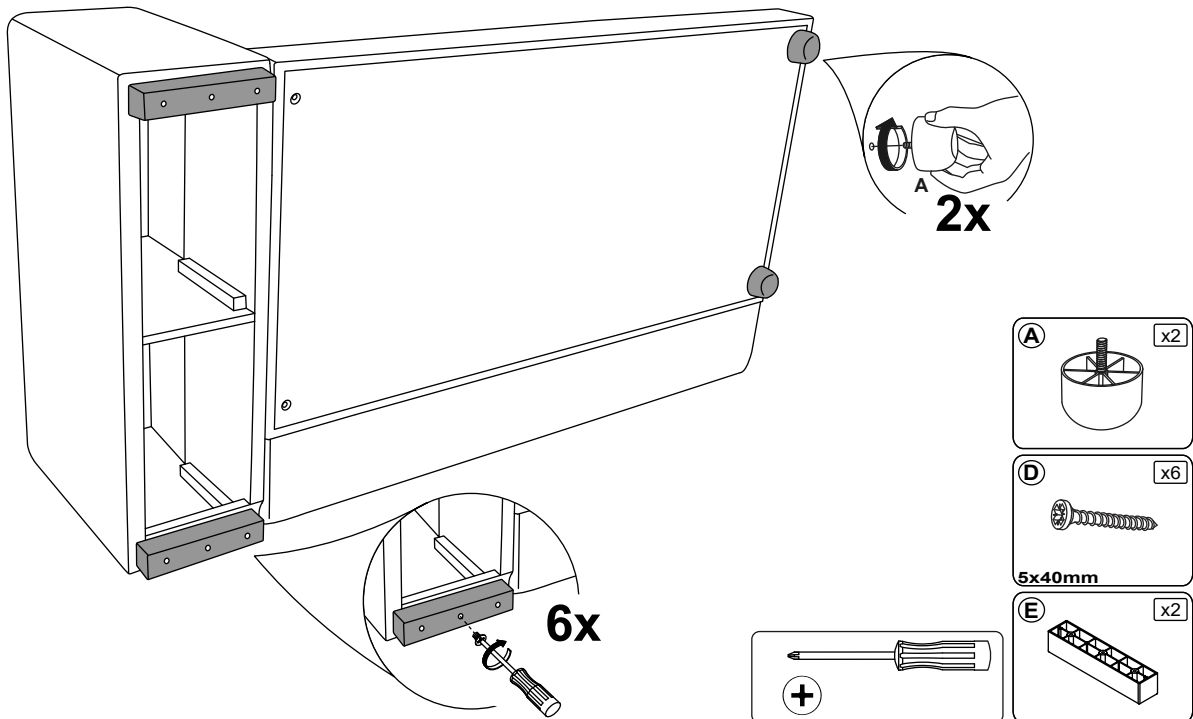
KLAST

www.klasthome.com

STEP 3



STEP 4



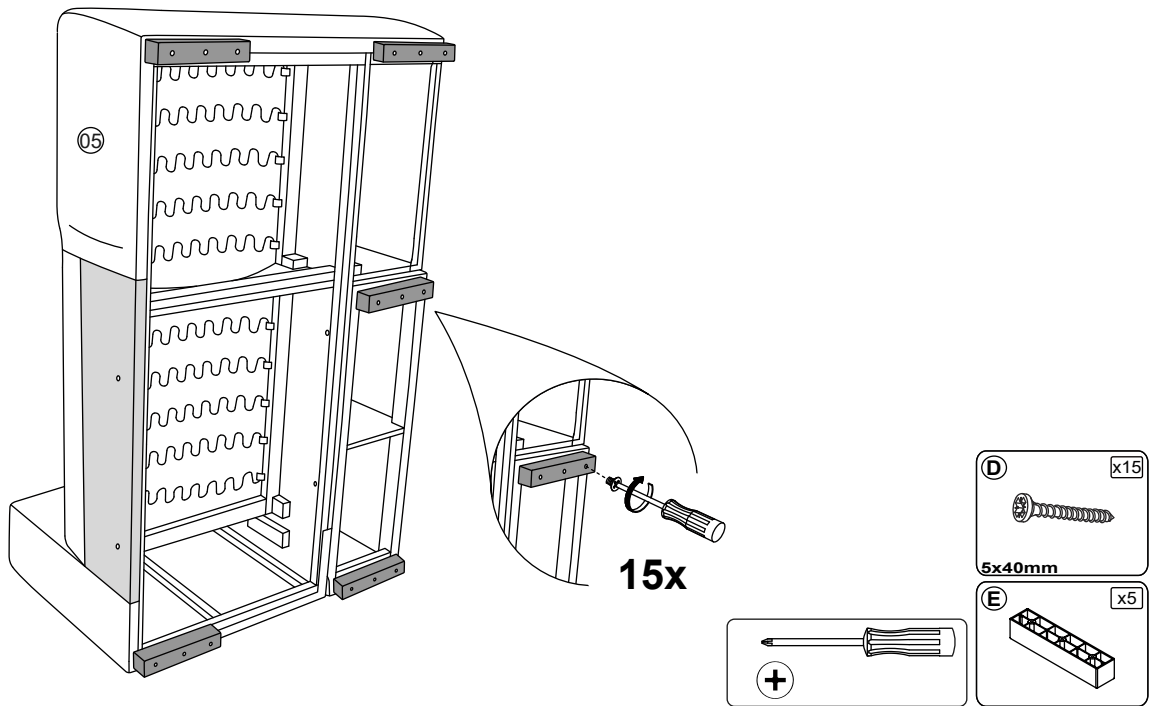
ALAN

Ref:AQ-0009

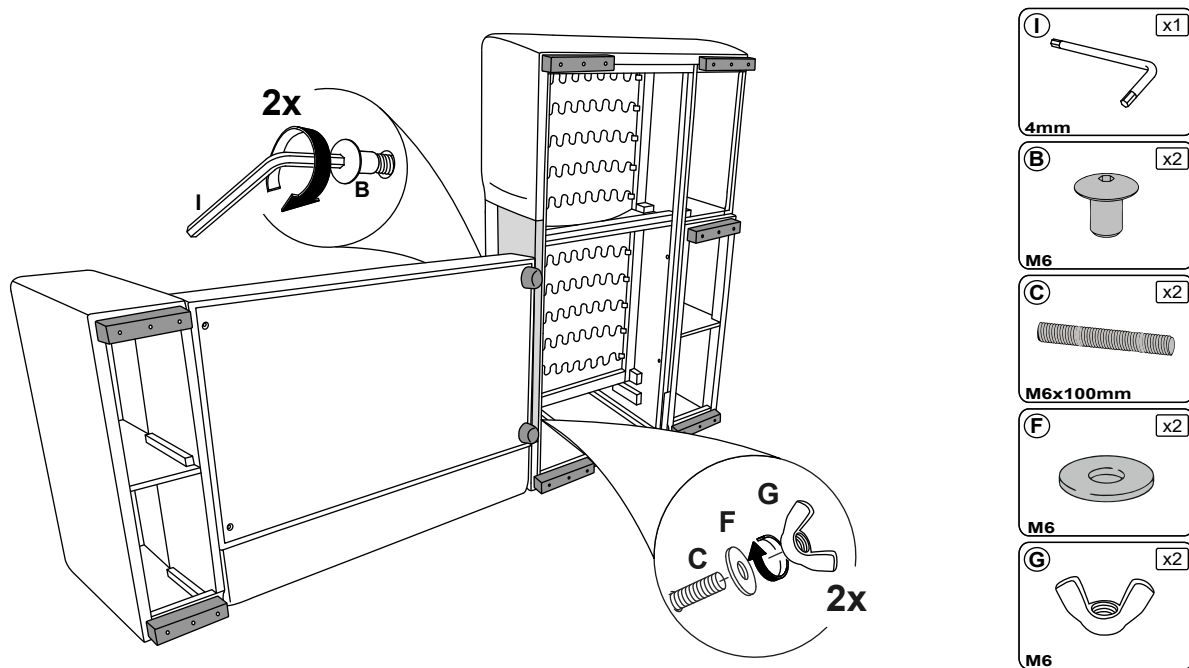
KLAST

www.klathome.com

STEP 5



STEP 6



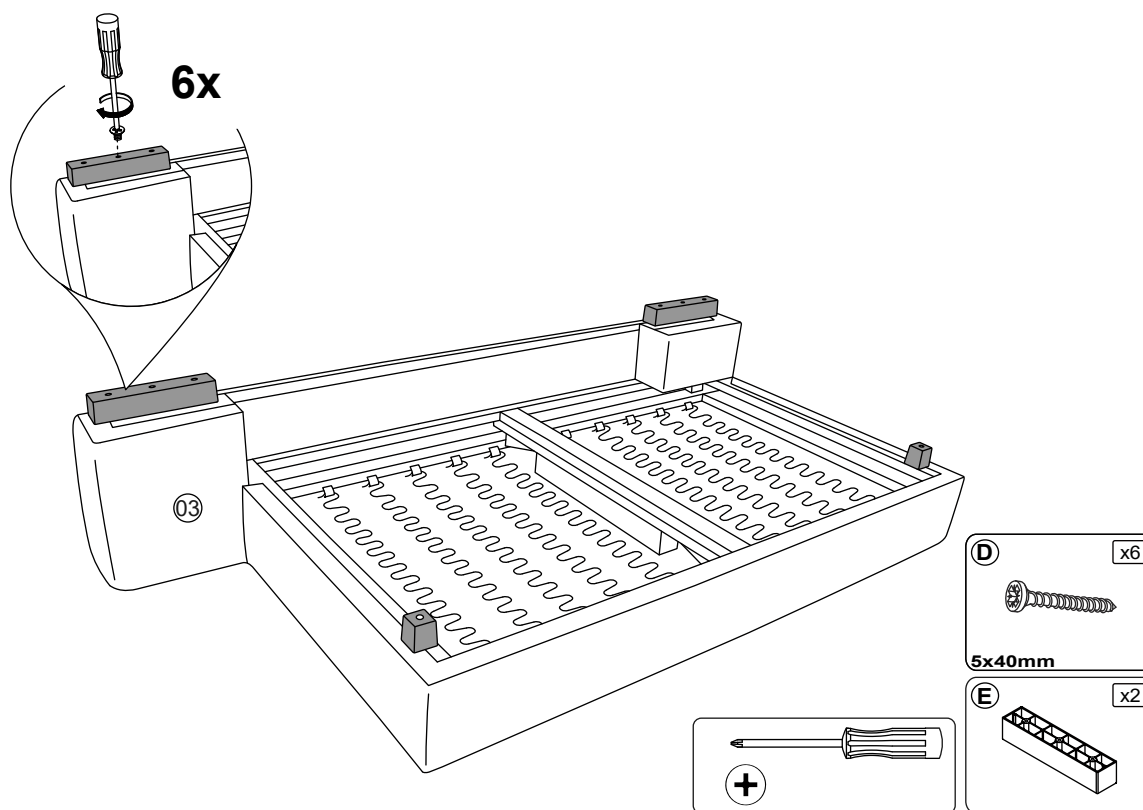
ALAN

Ref:AQ-0009

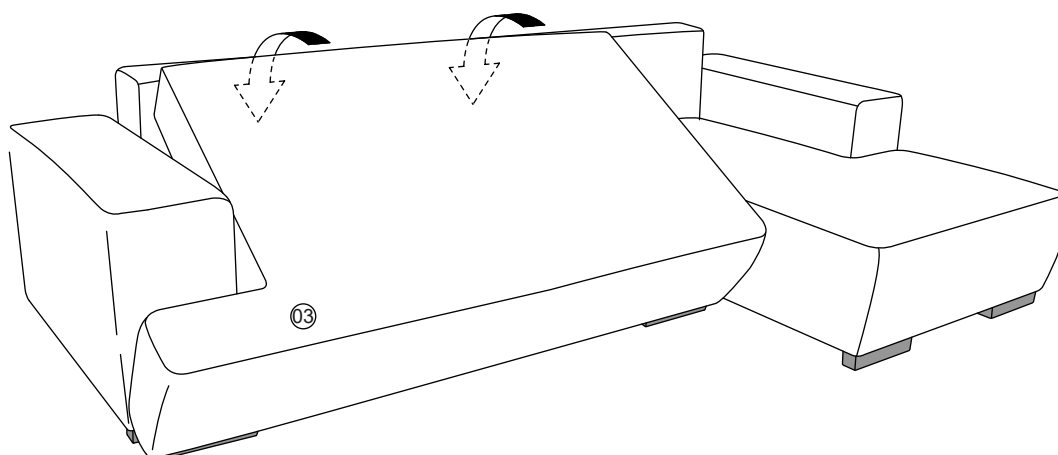
KLAST

www.klasthome.com

STEP 7



STEP 8



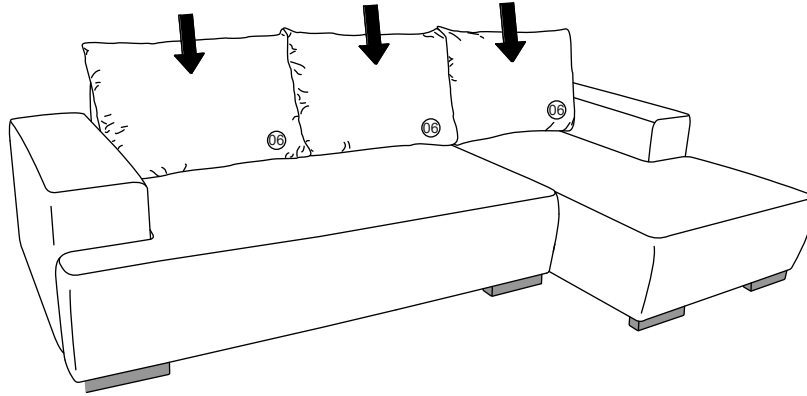
ALAN

Ref:AQ-0009

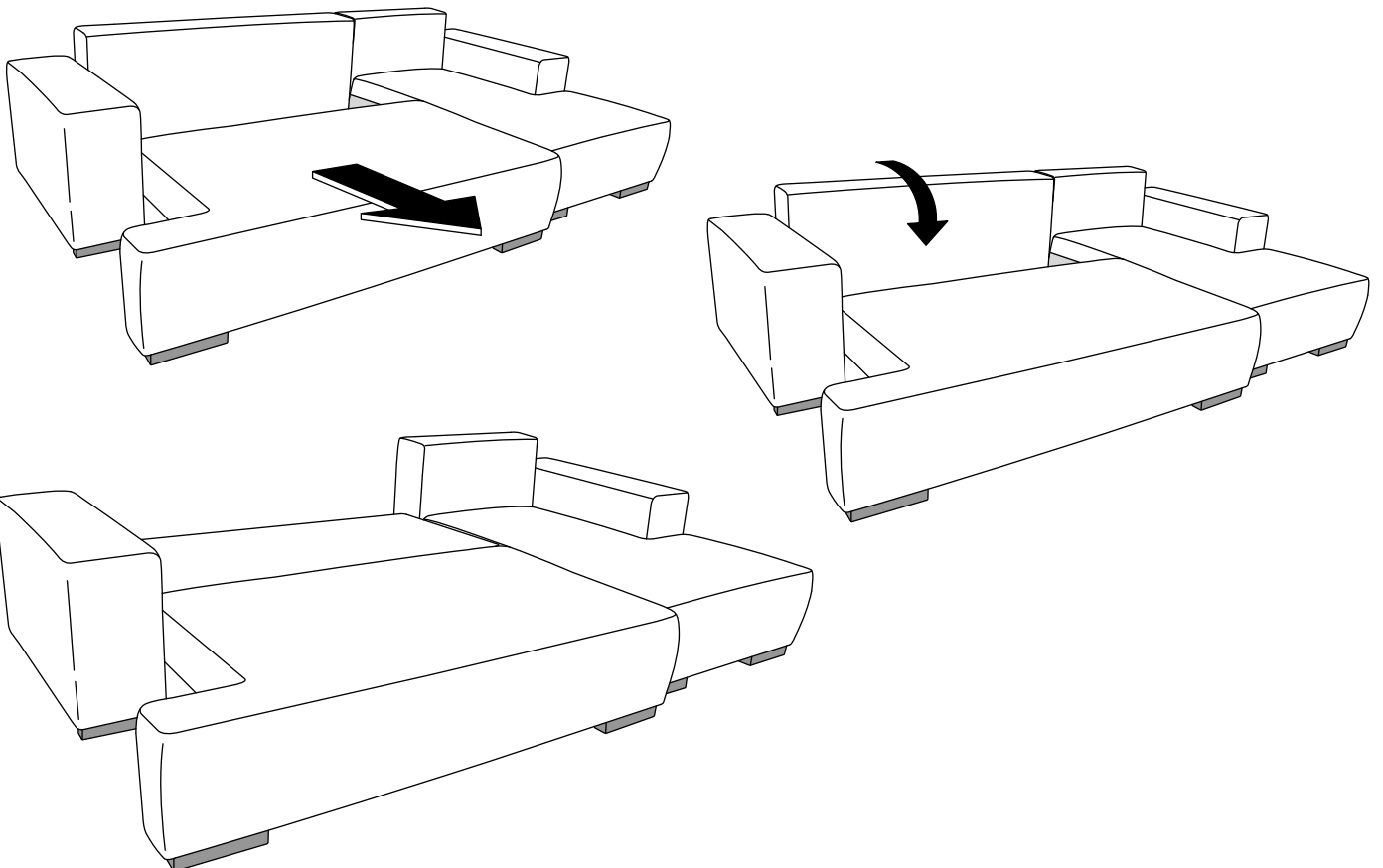
KLAST

www.klasthome.com

STEP 9



STEP 10



ALAN

Ref:AQ-0009

7/7

-V1.0-