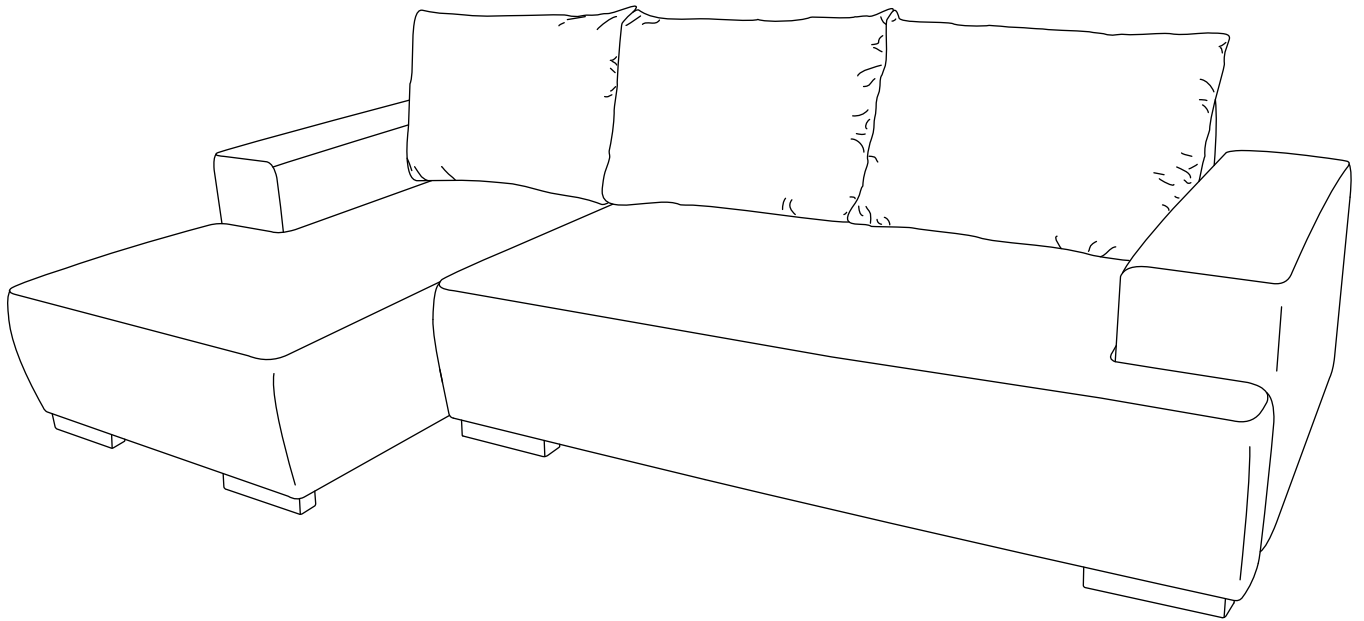


# KLAST

[www.klasthome.com](http://www.klasthome.com)



## ALAN

Ref:AQ-0010

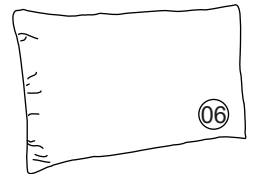
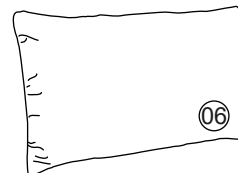
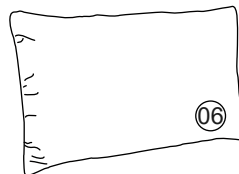
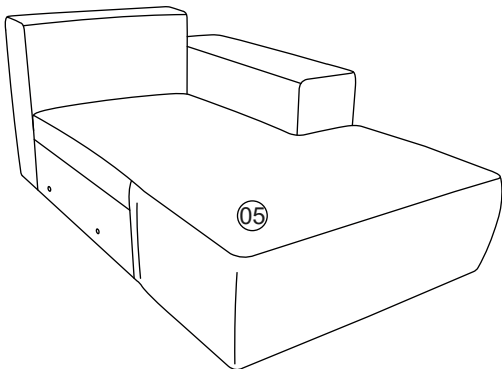
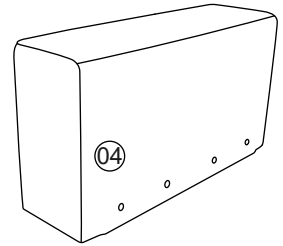
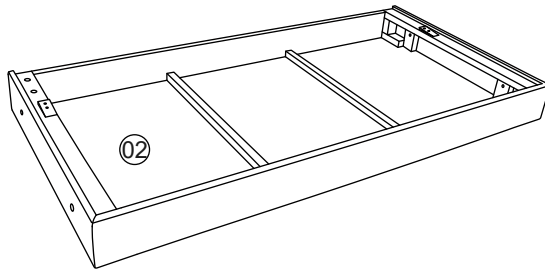
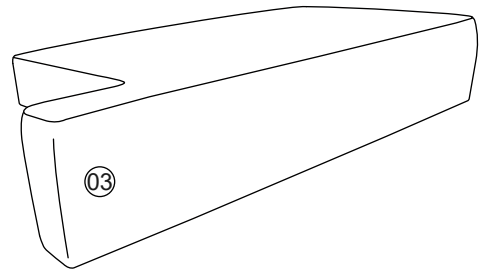
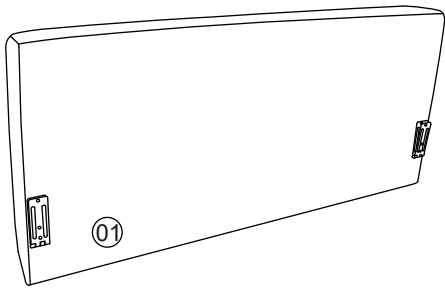
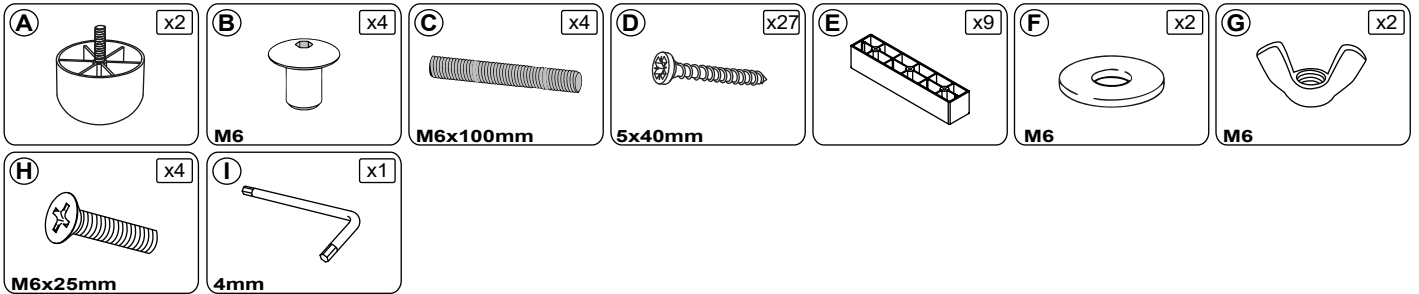
1/7

-V1.0-

# KLAST

www.klathome.com

## MATERIAL



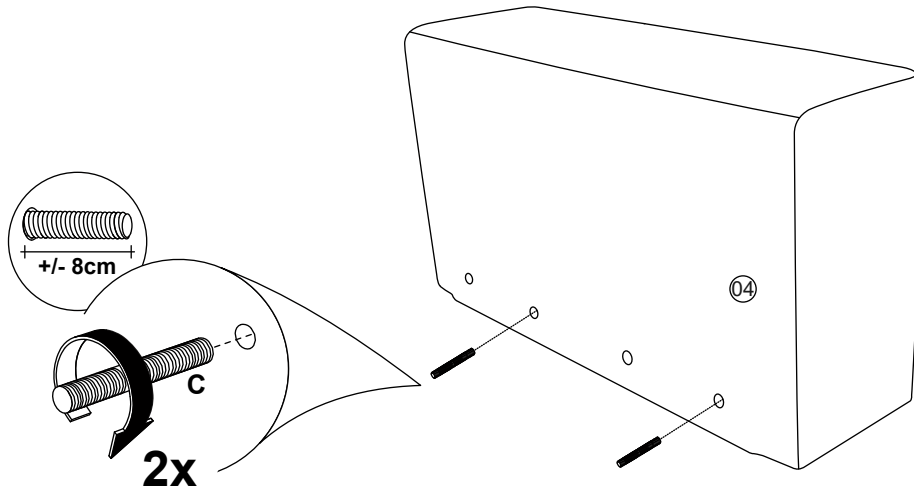
# ALAN

Ref:AQ-0010

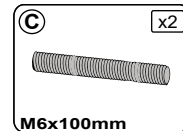
# KLAST

www.klathome.com

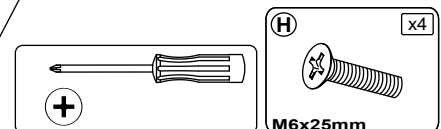
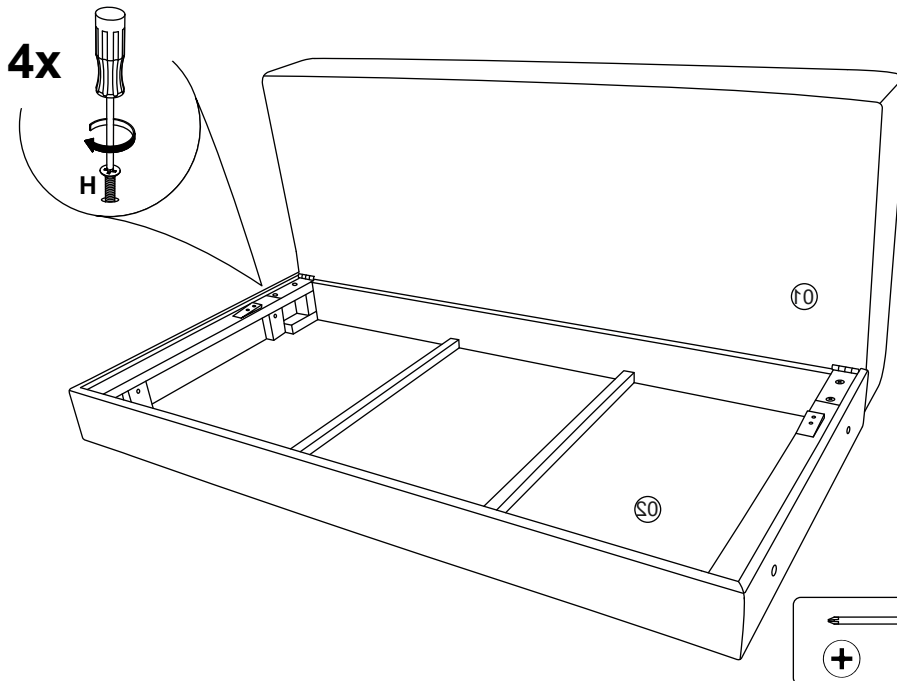
## STEP 1



Never force the joints.  
Tighten the screws after  
some time of use.



## STEP 2



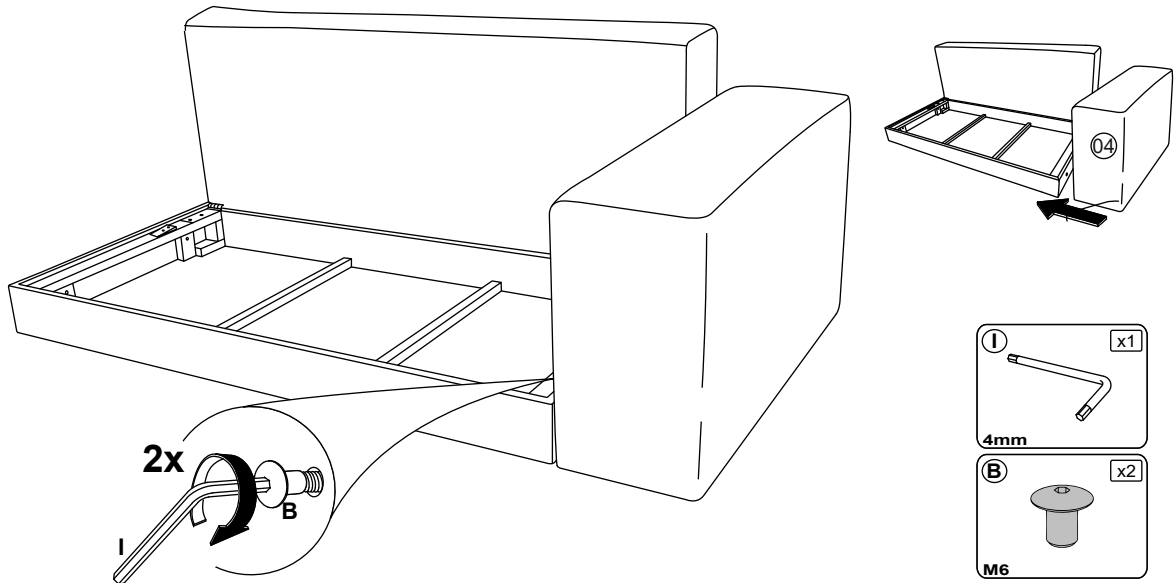
# ALAN

Ref:AQ-0010

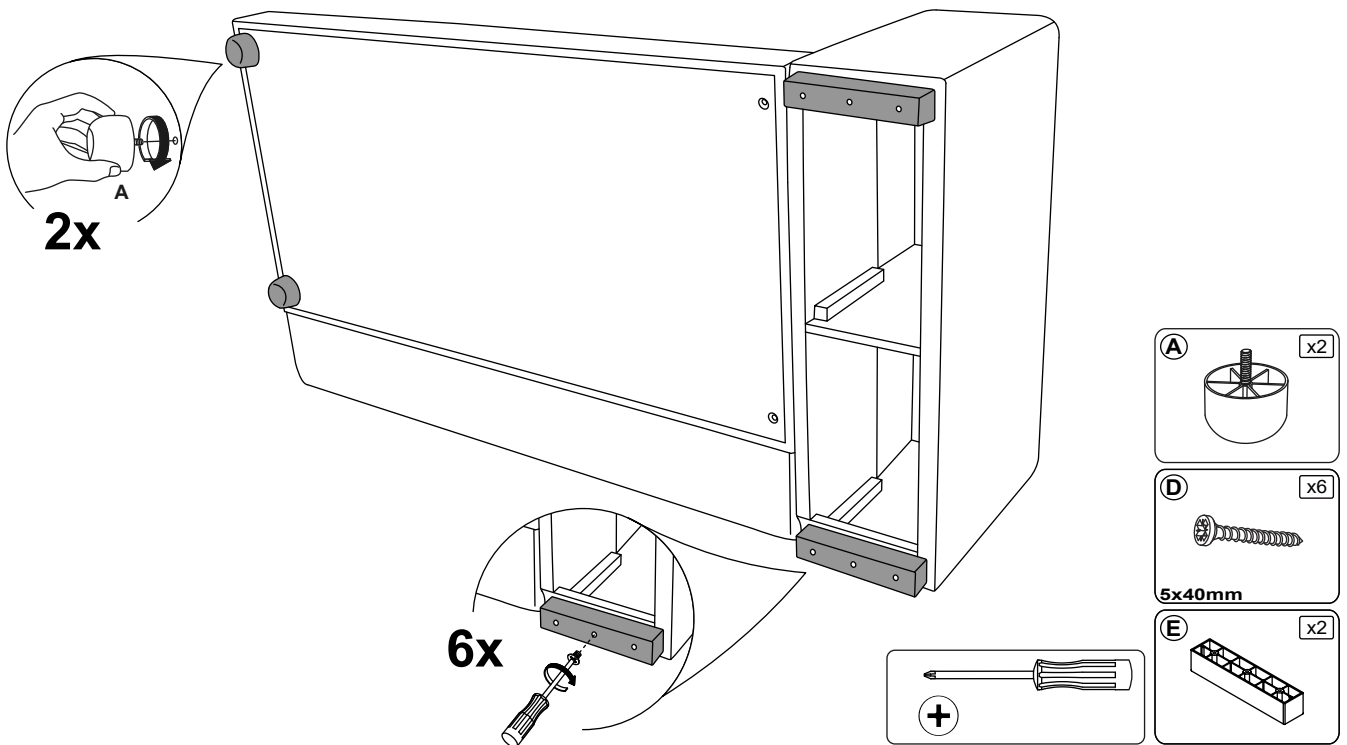
# KLAST

www.klathome.com

## STEP 3



## STEP 4



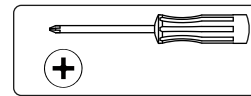
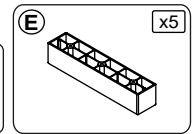
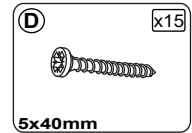
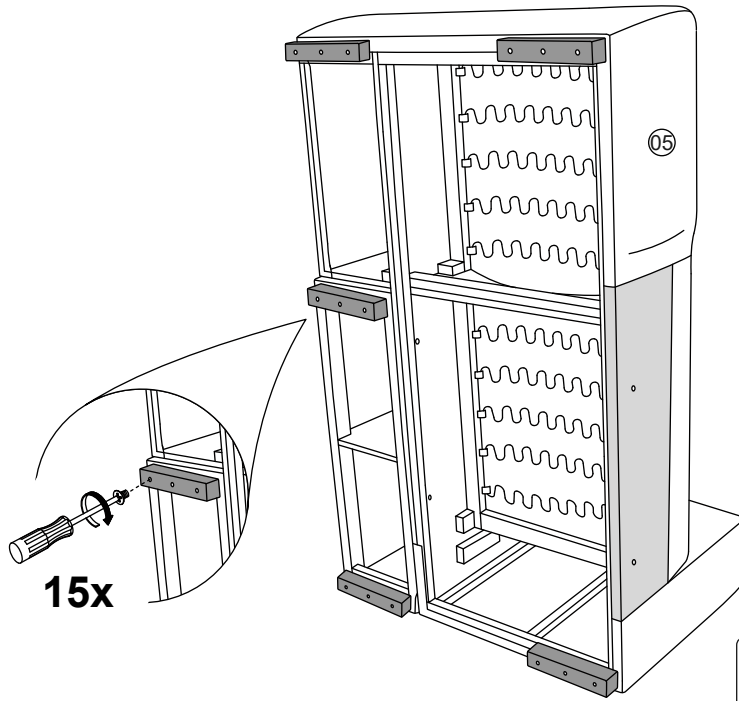
# ALAN

Ref:AQ-0010

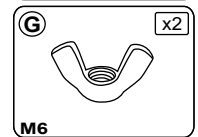
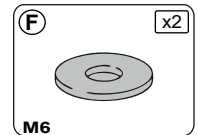
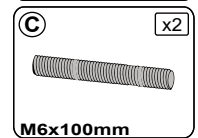
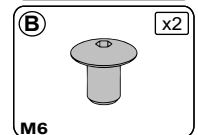
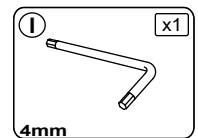
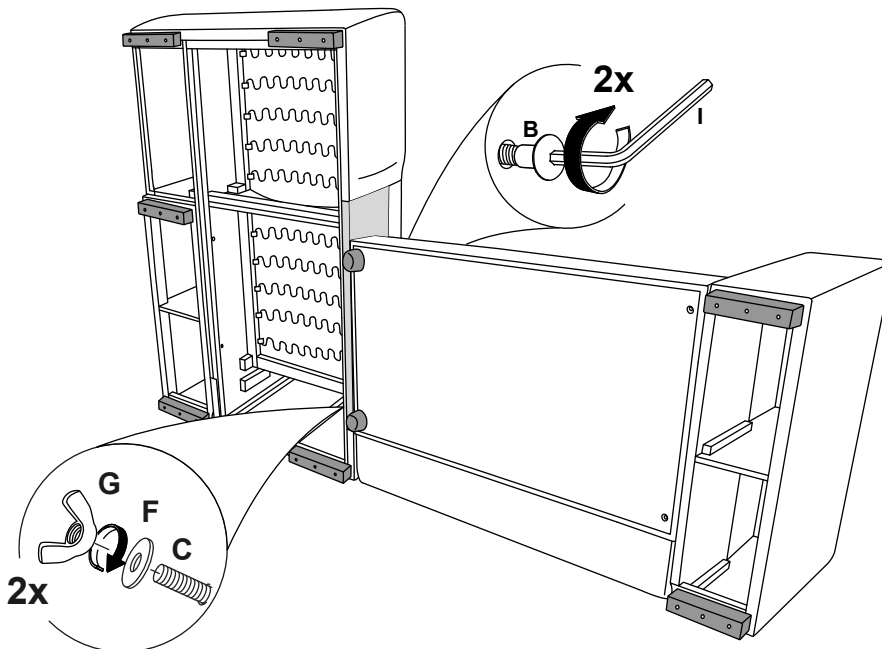
# KLAST

www.klathome.com

## STEP 5



## STEP 6



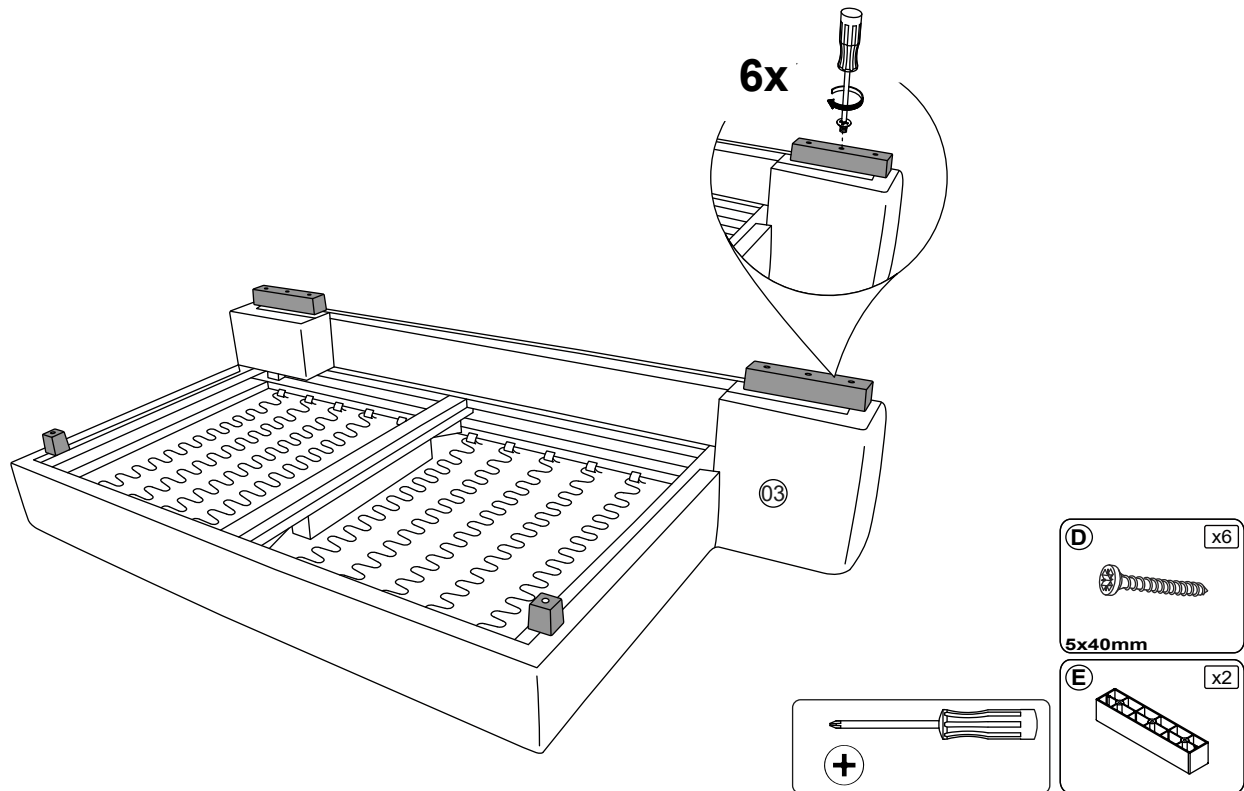
# ALAN

Ref:AQ-0010

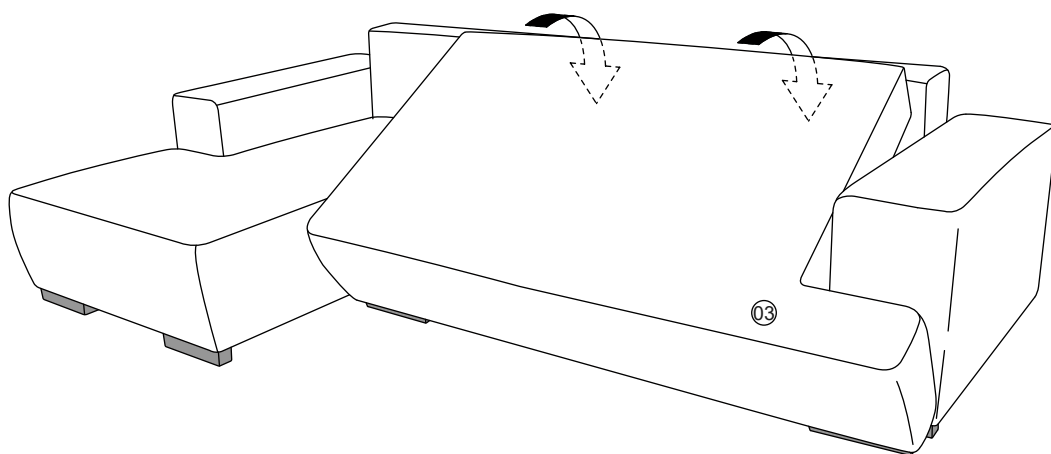
# KLAST

www.klasthome.com

## STEP 7



## STEP 8



# ALAN

Ref:AQ-0010

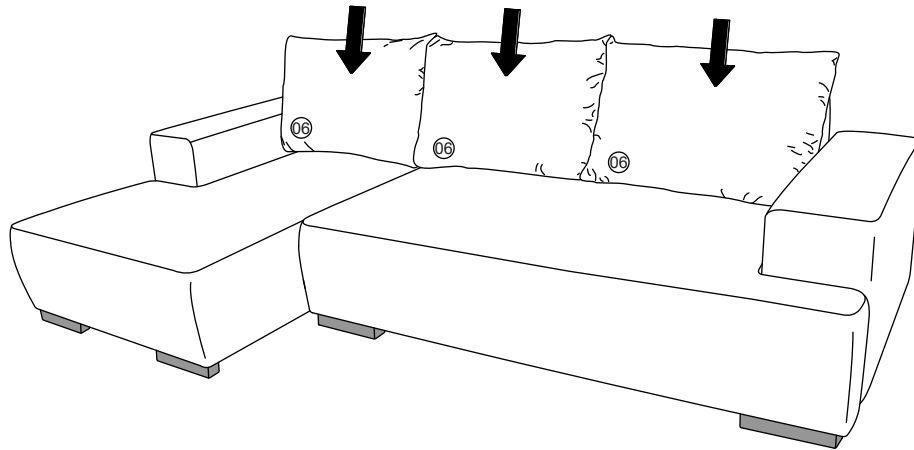
6/7

-V1.0-

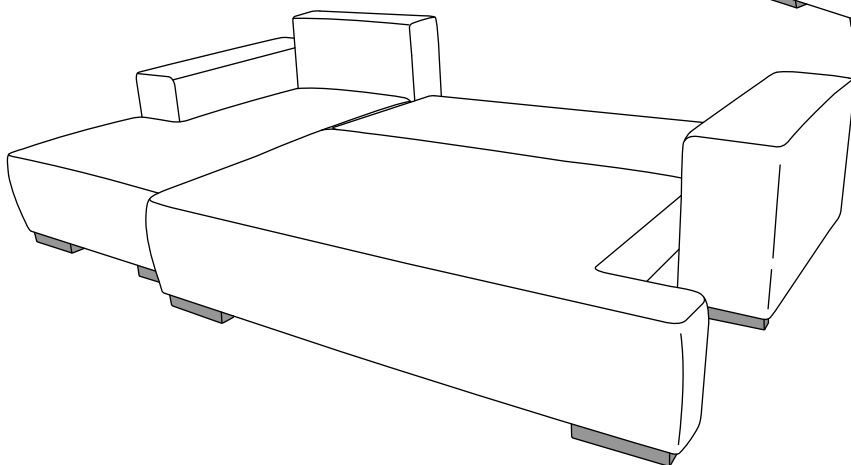
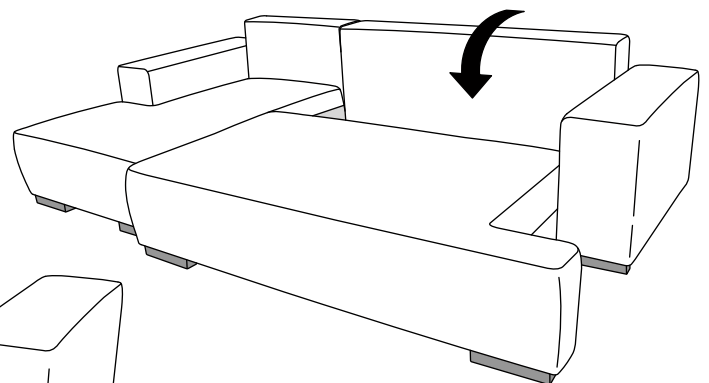
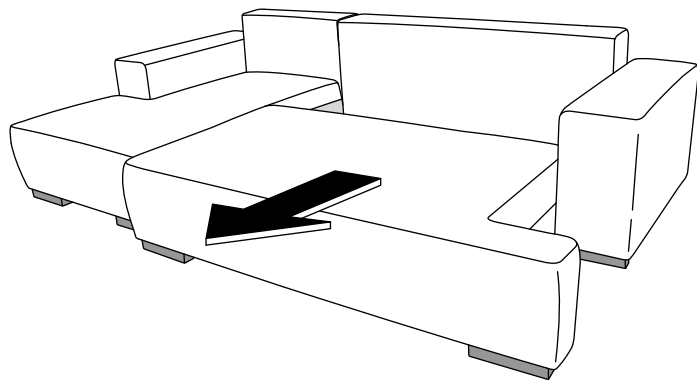
# KLAST

www.klasthome.com

## STEP 9



## STEP 10



# ALAN

Ref:AQ-0010

7/7

-V1.0-