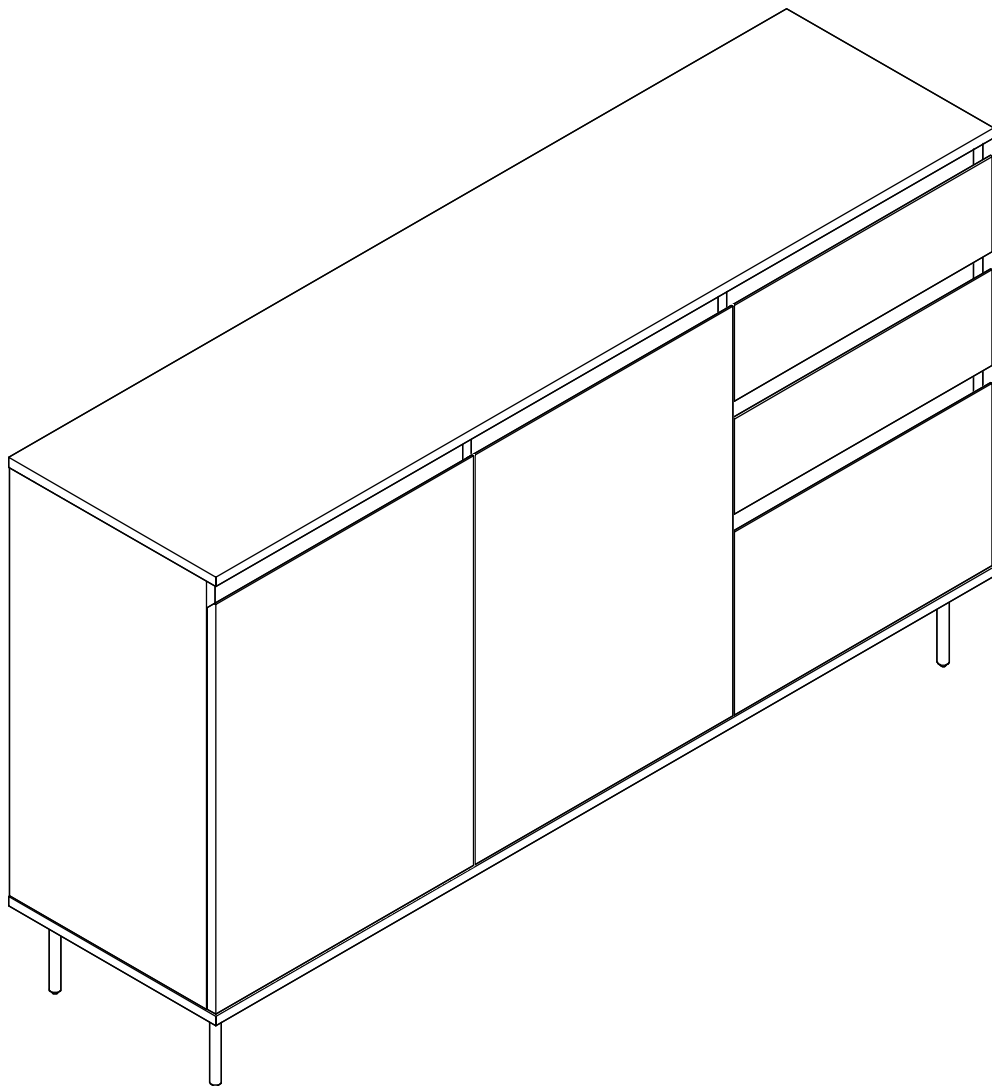


KLAST

www.klasthome.com



ESBEN

Ref: SB-0103

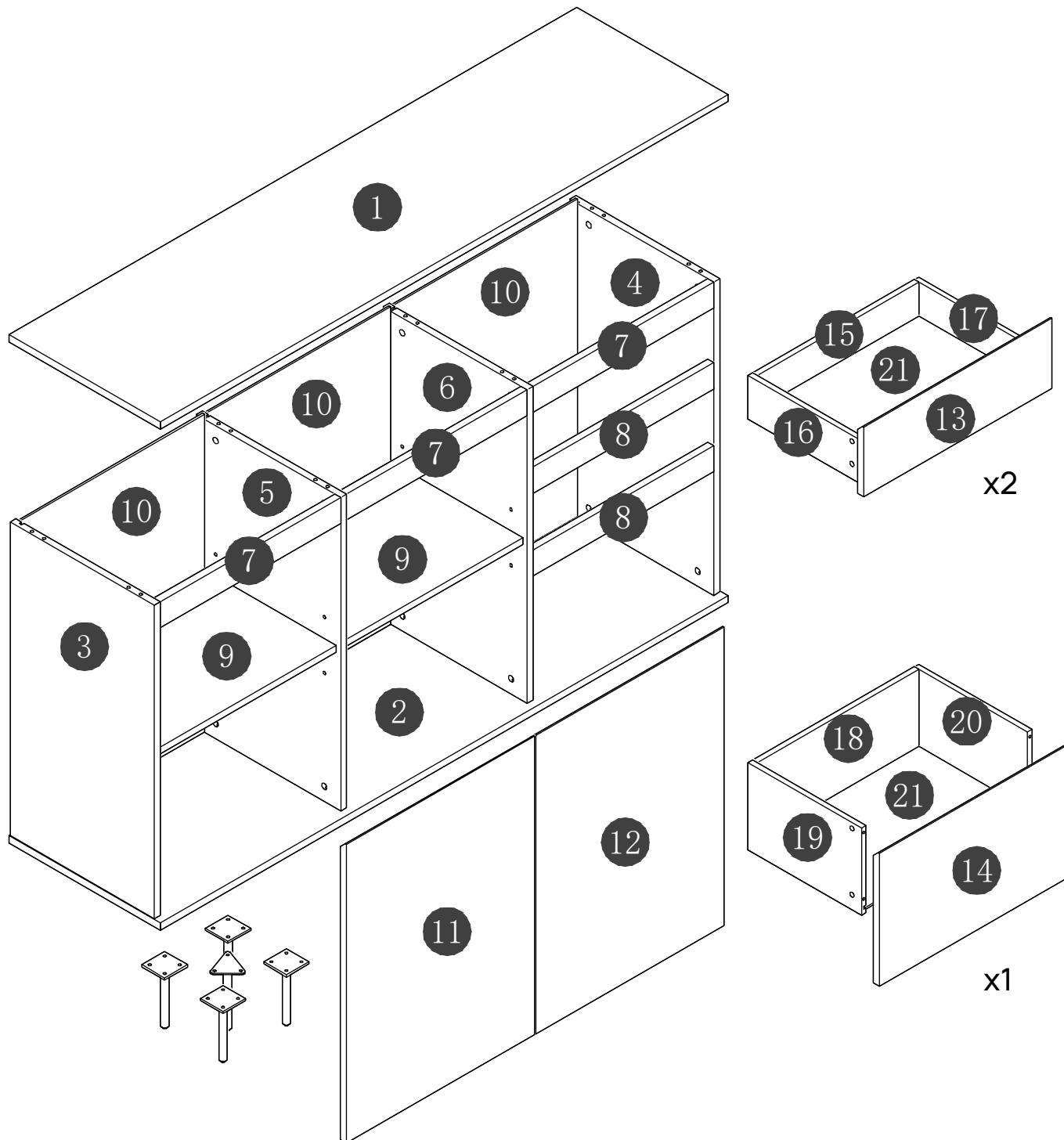
1/14

-V2.0-

KLAST

www.klasthome.com

MATERIAL



ESBEN

Ref: SB-0103

KLAST

www.klasthome.com

MATERIAL



M6x40 mm
A x29 PC



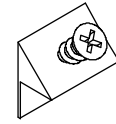
Ø8x30 mm
B x34 PC



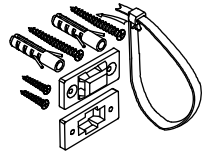
Ø15x12 mm
C x29 PC



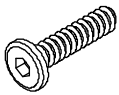
Ø21 mm
D x61 PC



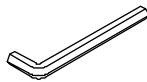
E x18 PC



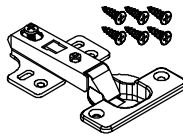
F x1 PC



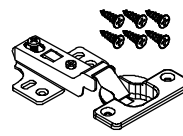
M6x16 mm
G x19 PC



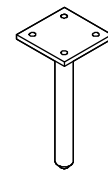
M4
H x1 PC



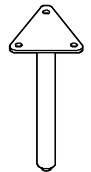
I1 x2 PC



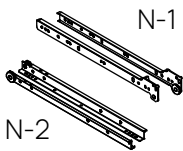
I2 x2 PC



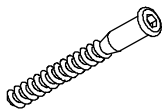
60x60x140 mm
J-1 x4 PC



53x53x137 mm
J-2 x1 PC



350 mm
N x3 PC



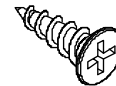
Ø7x50 mm
Q x8 PC



M6x34 mm
O x24 PC



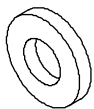
Ø12x10.5 mm
P x24 PC



M3.5x12 mm
V1 x30 PC



M4
Z1 x19 PC



M4
Z2 x19 PC

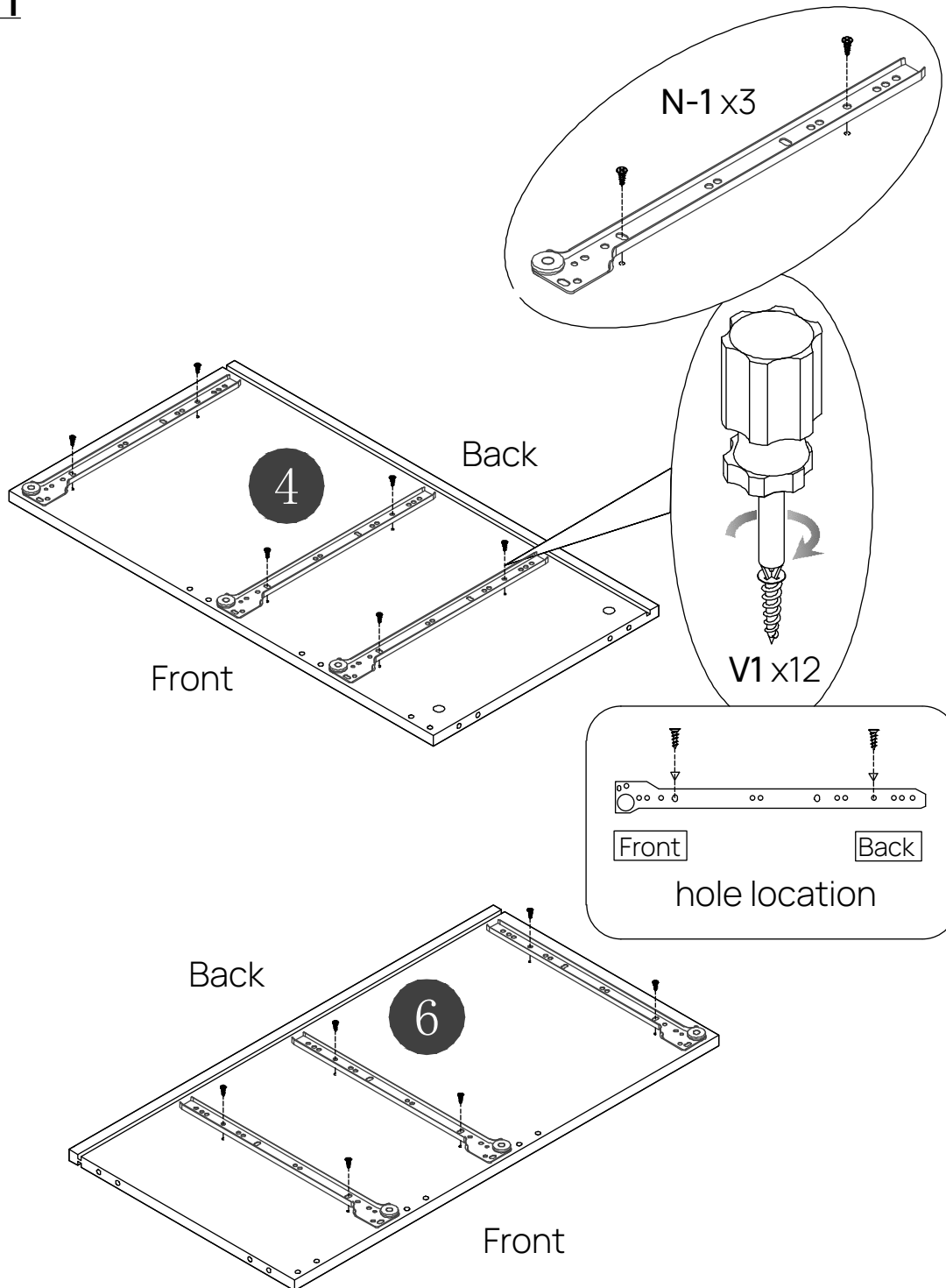
ESBEN

Ref: SB-0103

KLAST

www.klasthome.com

STEP 1



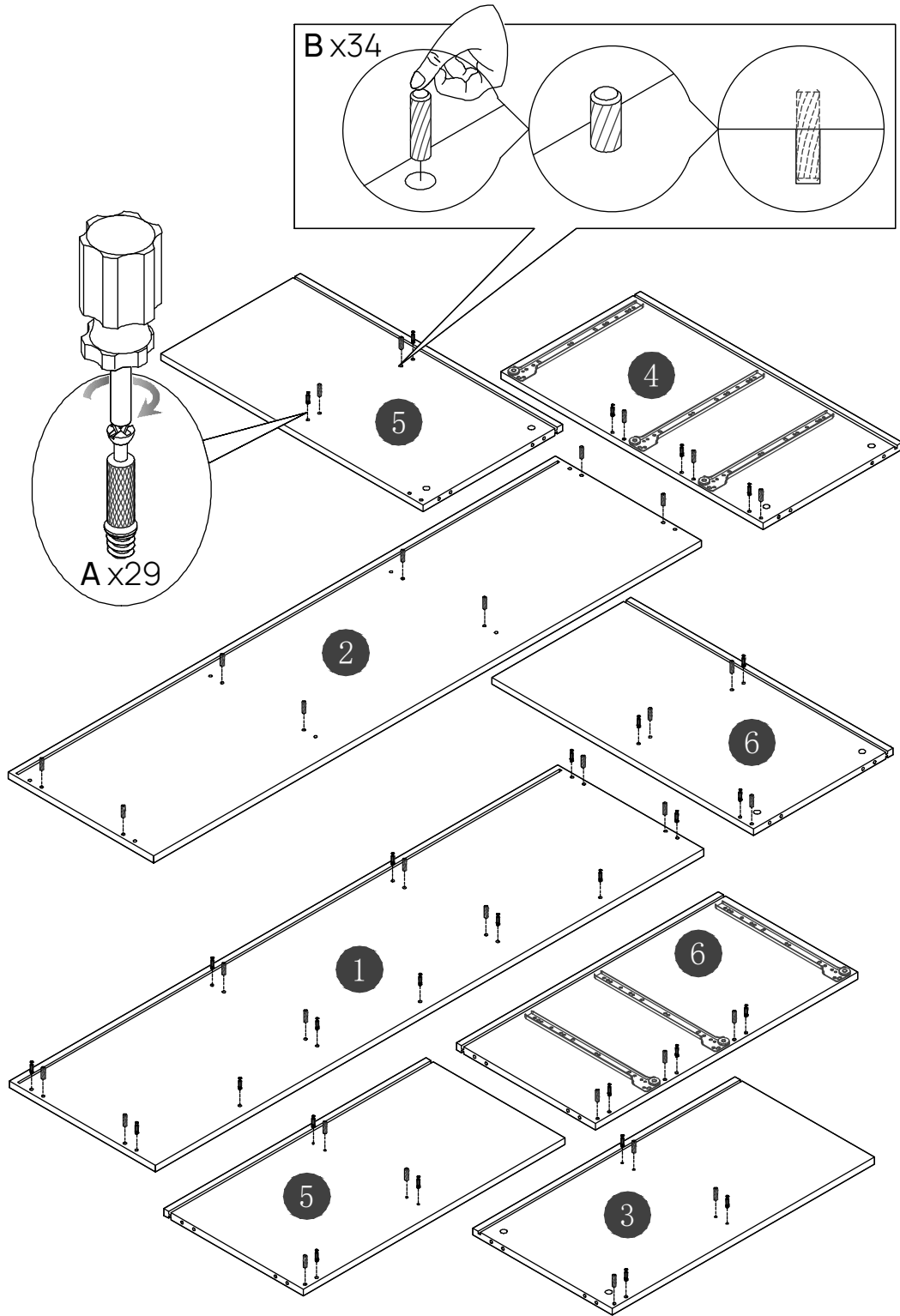
ESBEN

Ref: SB-0103

KLAST

www.klasthome.com

STEP 2



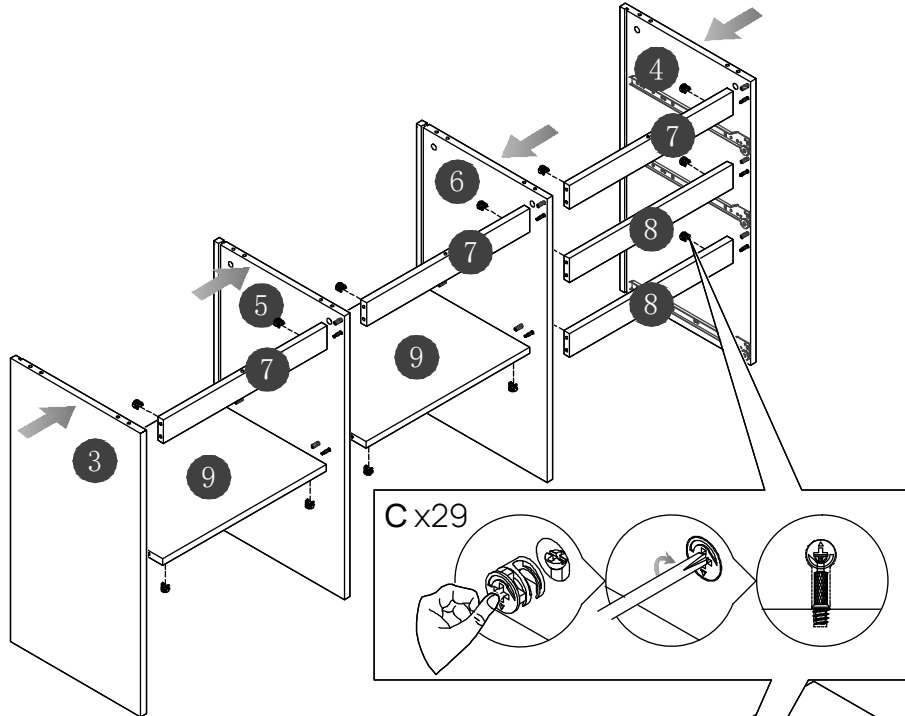
ESBEN

Ref: SB-0103

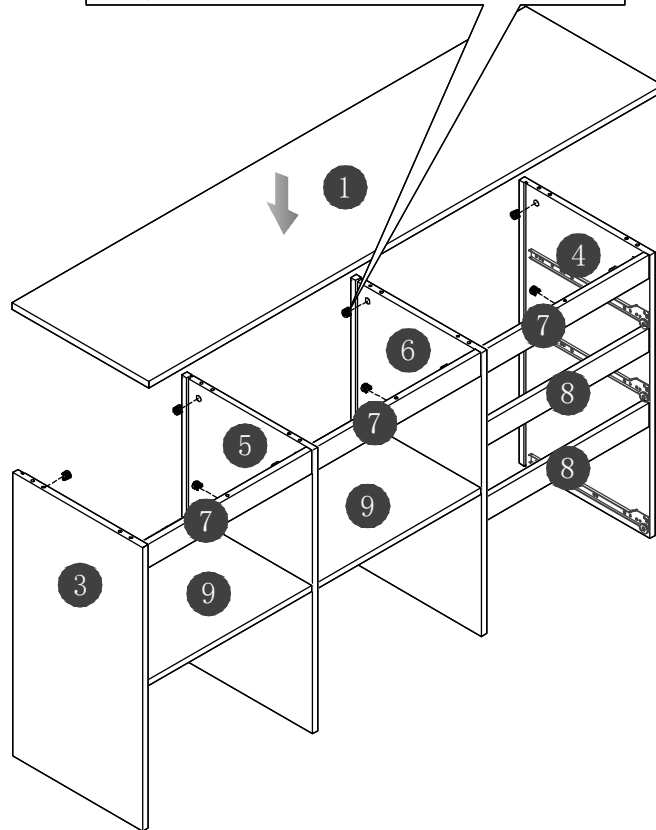
KLAST

www.klathome.com

STEP 3



STEP 4



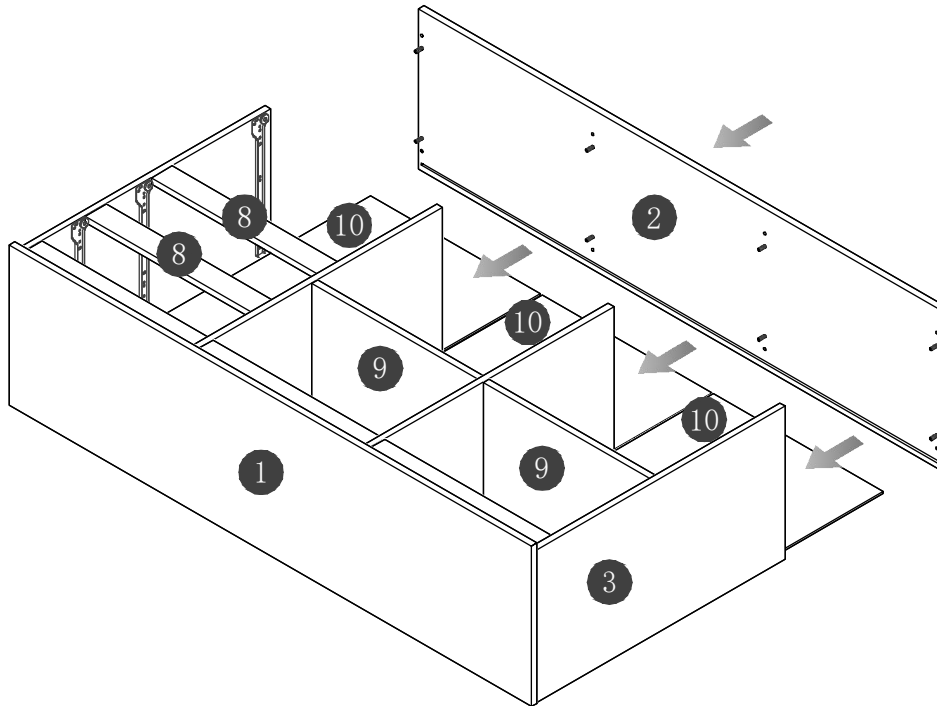
ESBEN

Ref: SB-0103

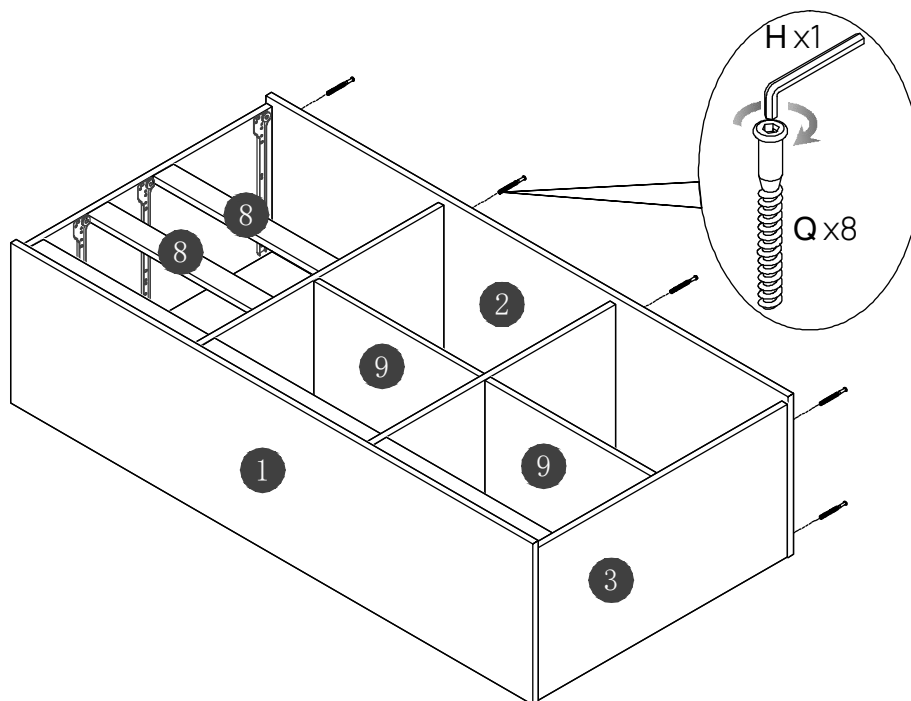
KLAST

www.klasthome.com

STEP 5



STEP 6



ESBEN

Ref: SB-0103

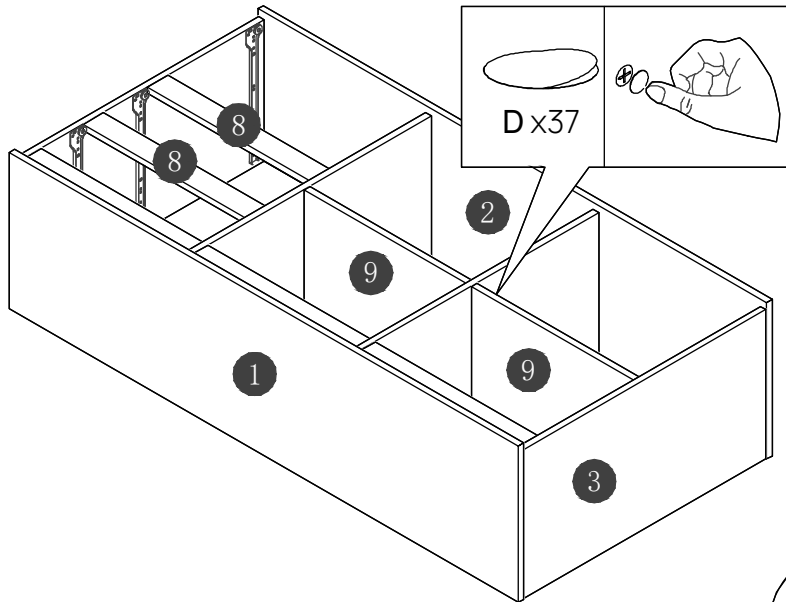
7/14

-V2.0-

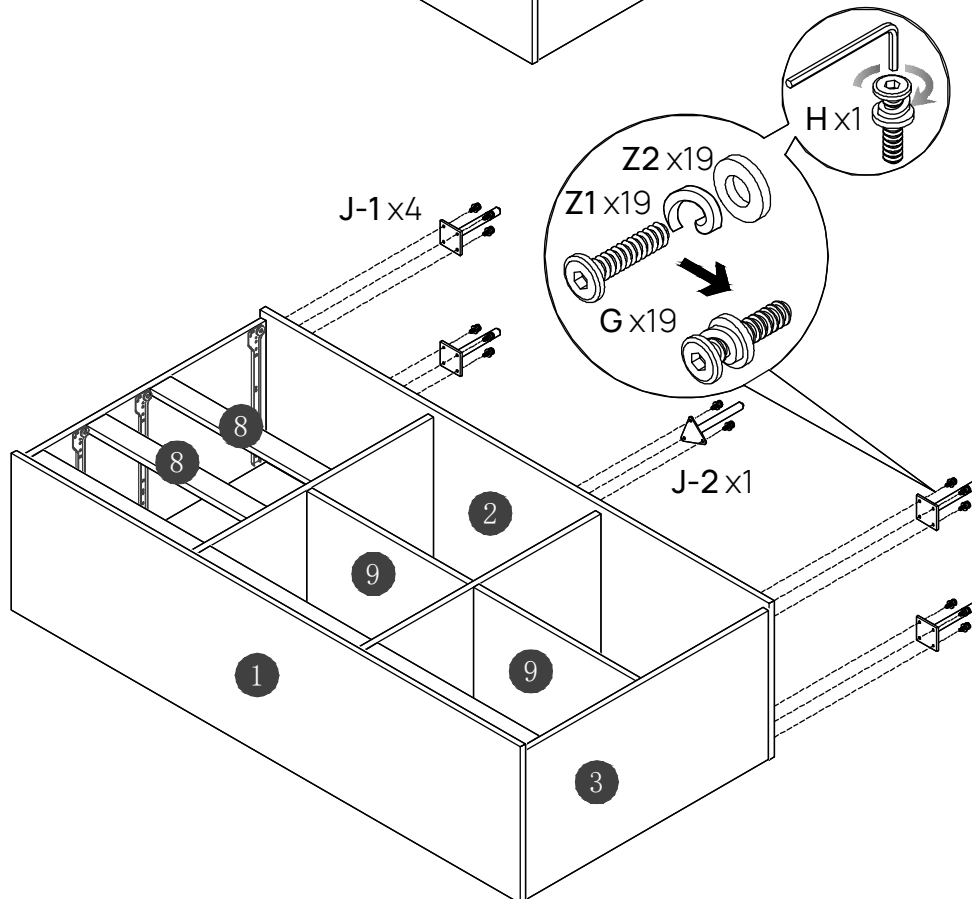
KLAST

www.klathome.com

STEP 7



STEP 8



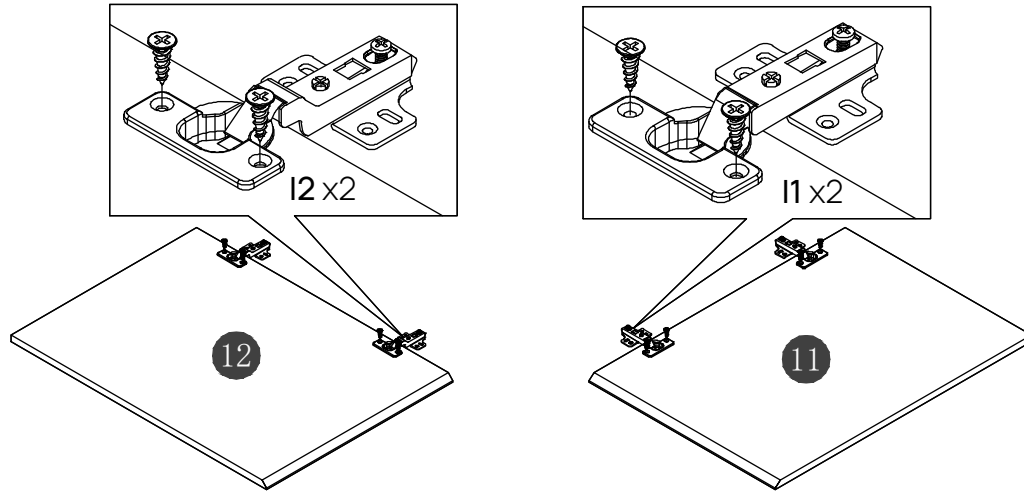
ESBEN

Ref: SB-0103

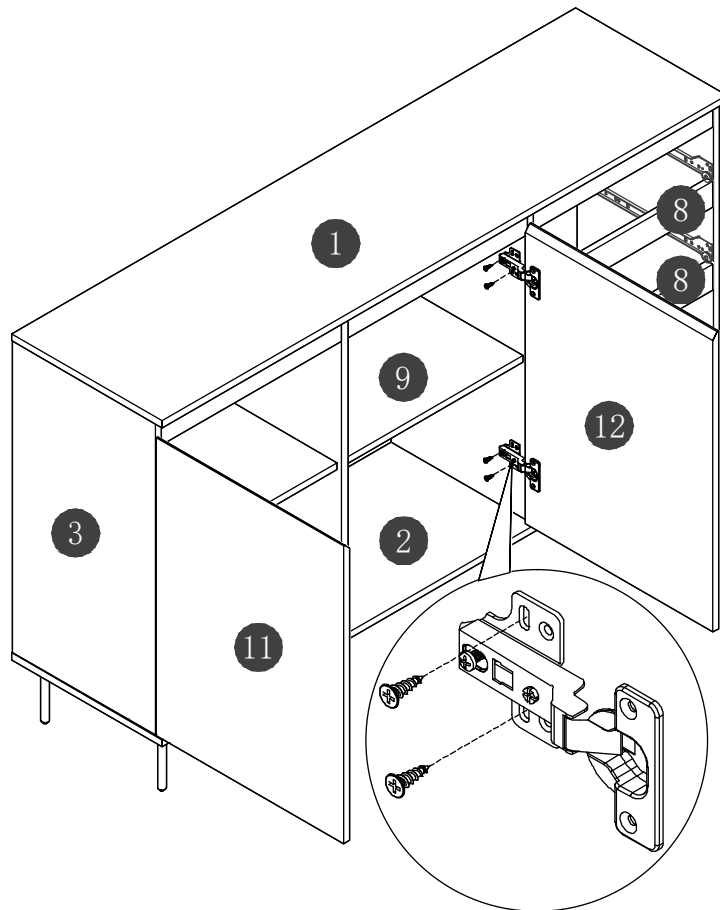
KLAST

www.klasthome.com

STEP 9



STEP 10



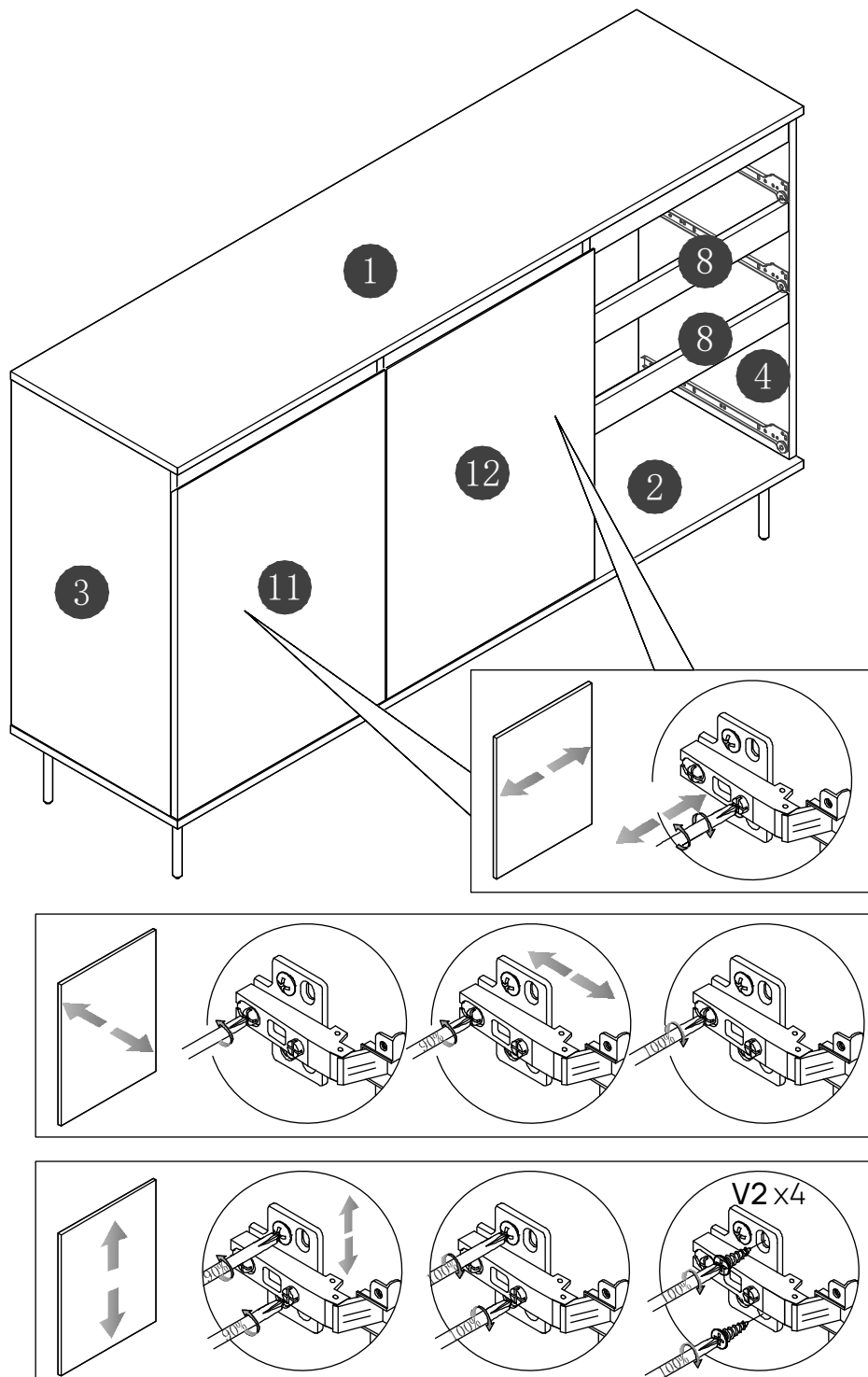
ESBEN

Ref: SB-0103

KLAST

www.klathome.com

STEP 11



ESBEN

Ref: SB-0103

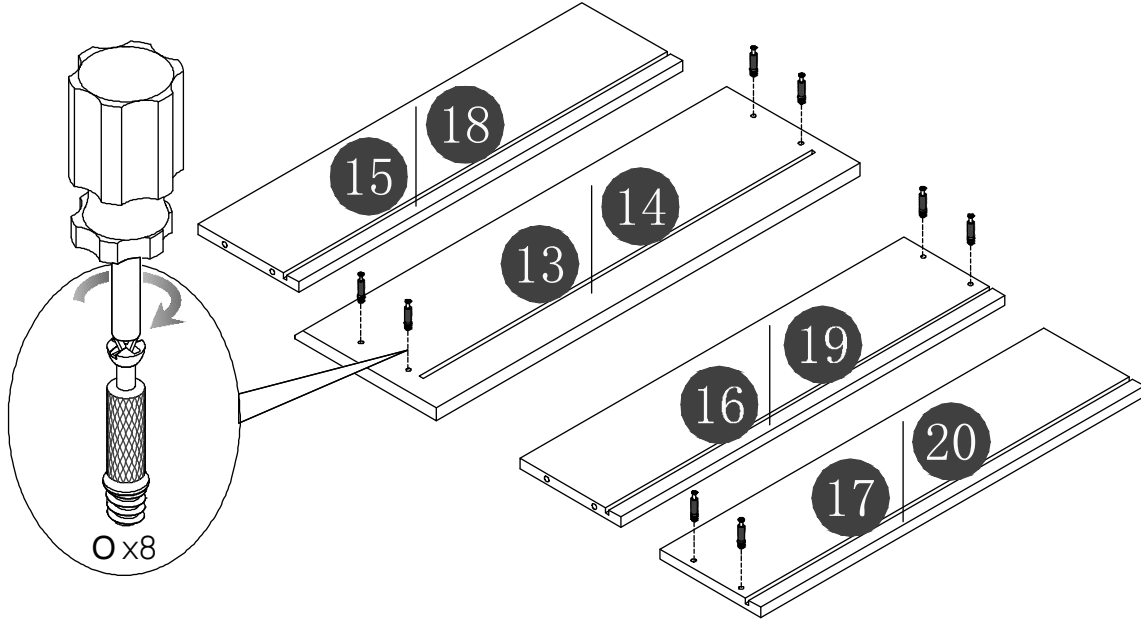
10/14

-V2.0-

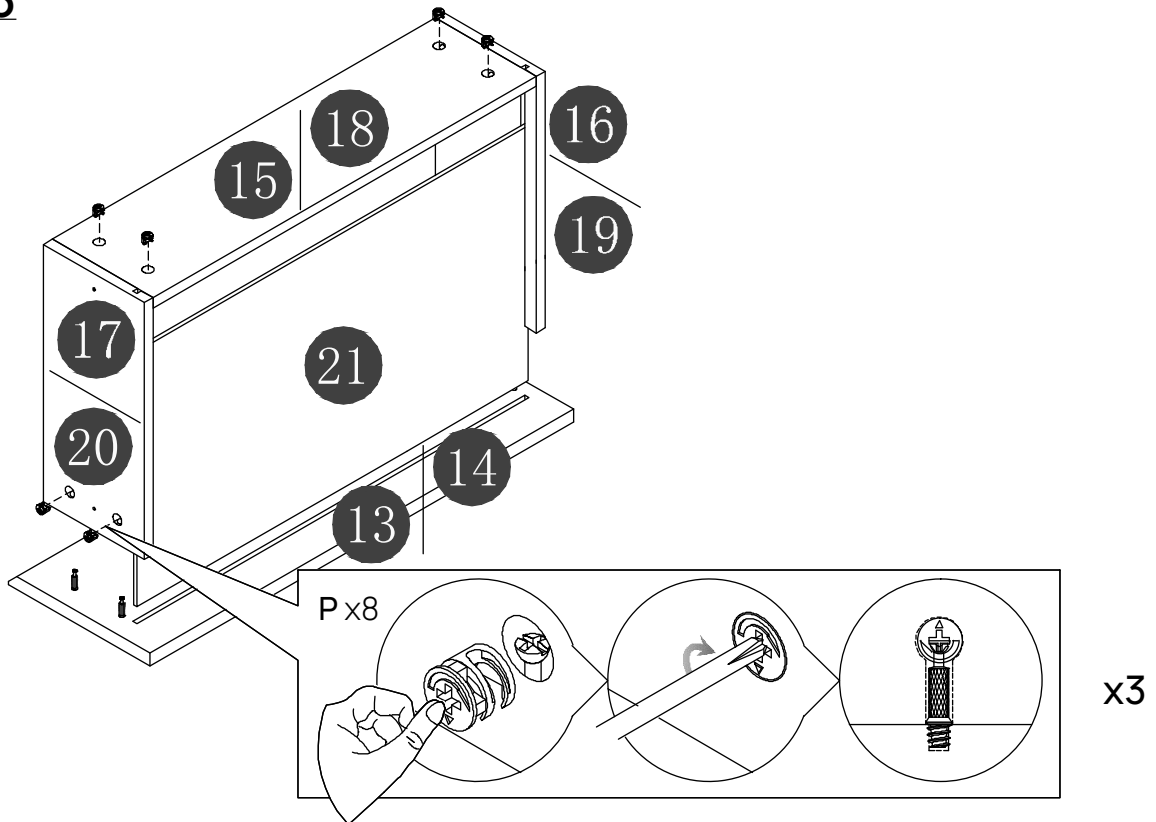
KLAST

www.klasthome.com

STEP 12



STEP 13



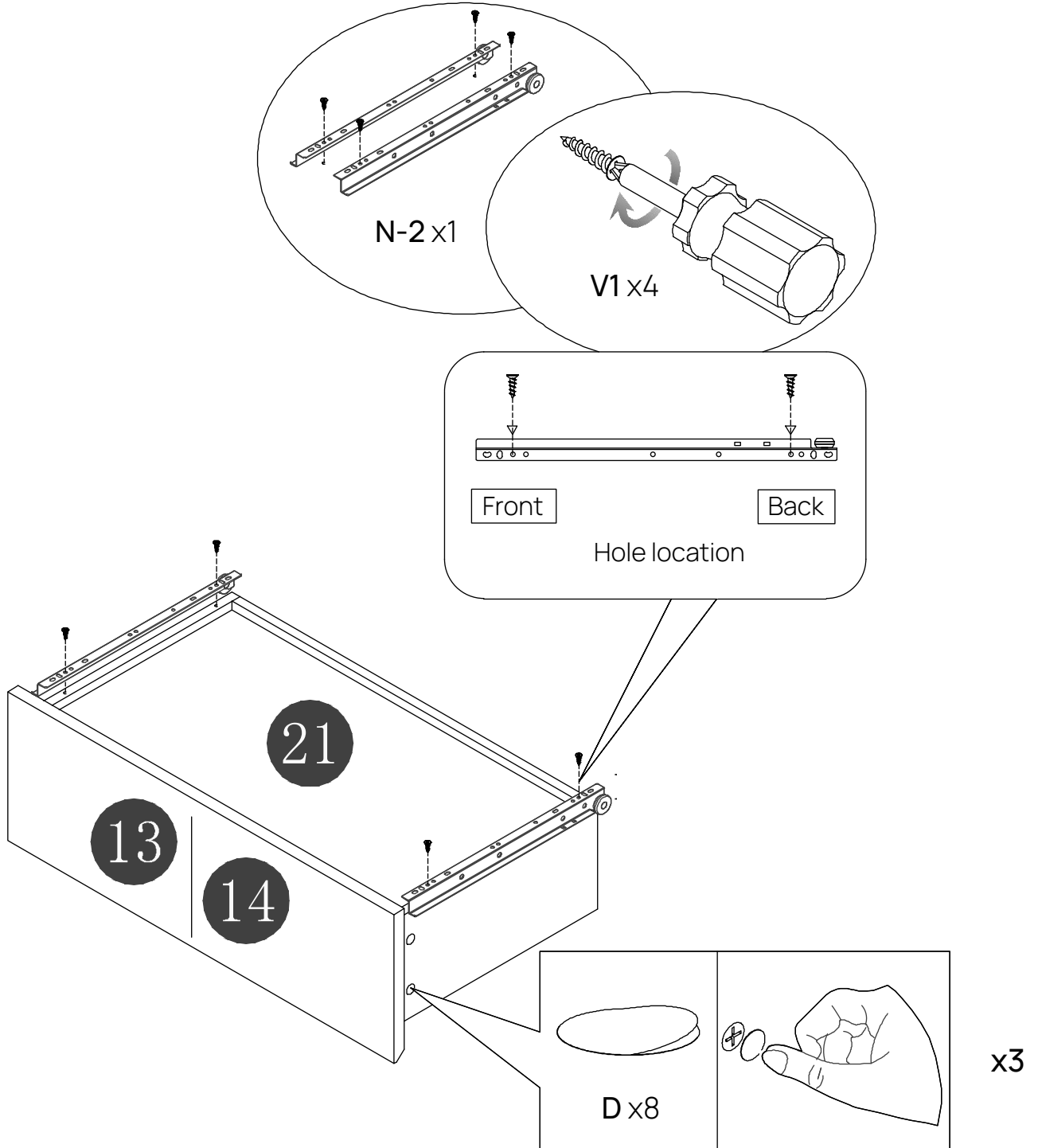
ESBEN

Ref: SB-0103

KLAST

www.klasthome.com

STEP 14



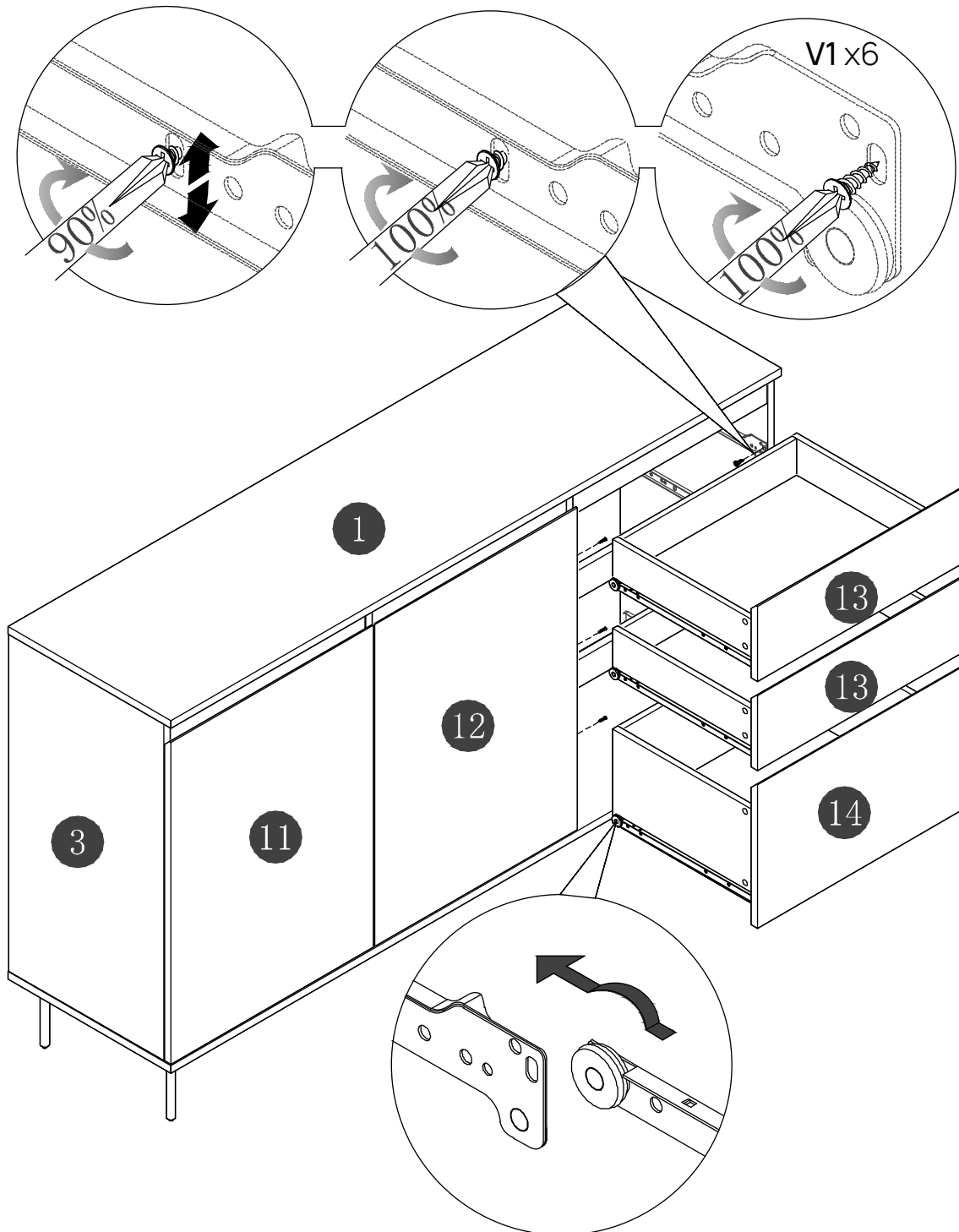
ESBEN

Ref: SB-0103

KLAST

www.klathome.com

STEP 15



ESBEN

Ref: SB-0103

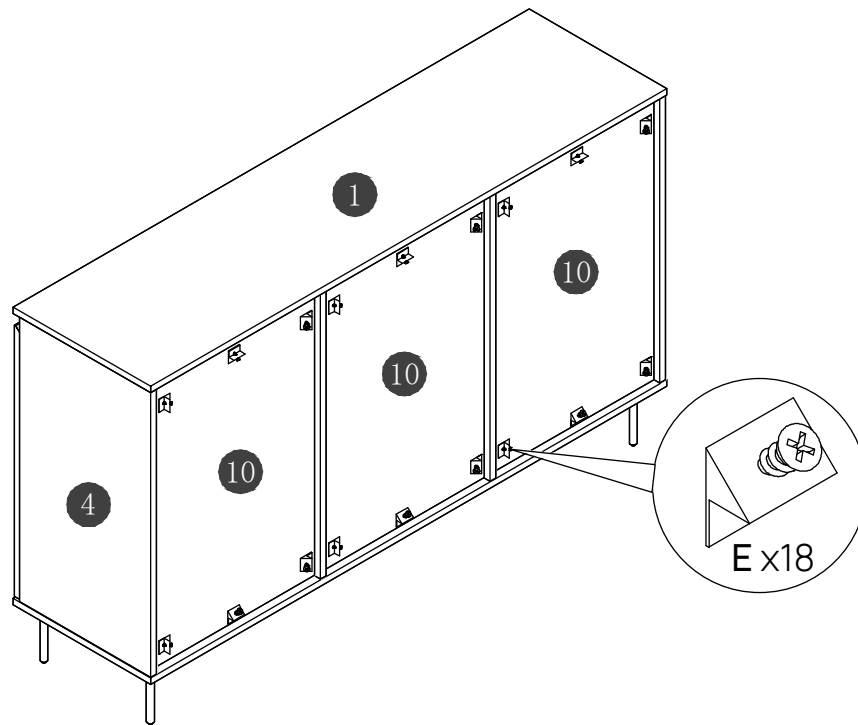
13/14

-V2.0-

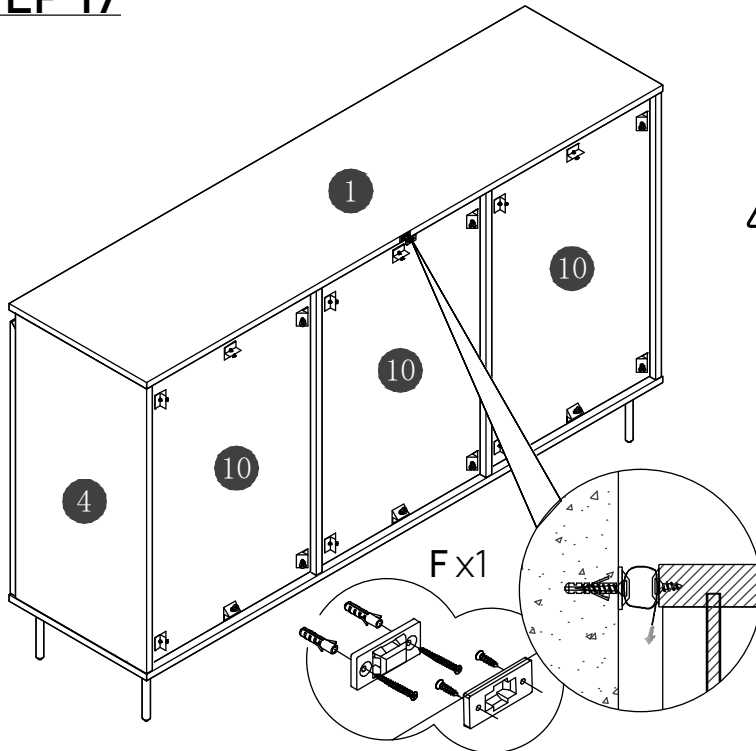
KLAST

www.klathome.com

STEP 16



STEP 17



! OBLIGATORY FIX ON THE WALL

The needed hardware for the junction wall/furniture depends of the nature of the wall and is not provide.

ESBEN

Ref: SB-0103

14/14

-V2.0-