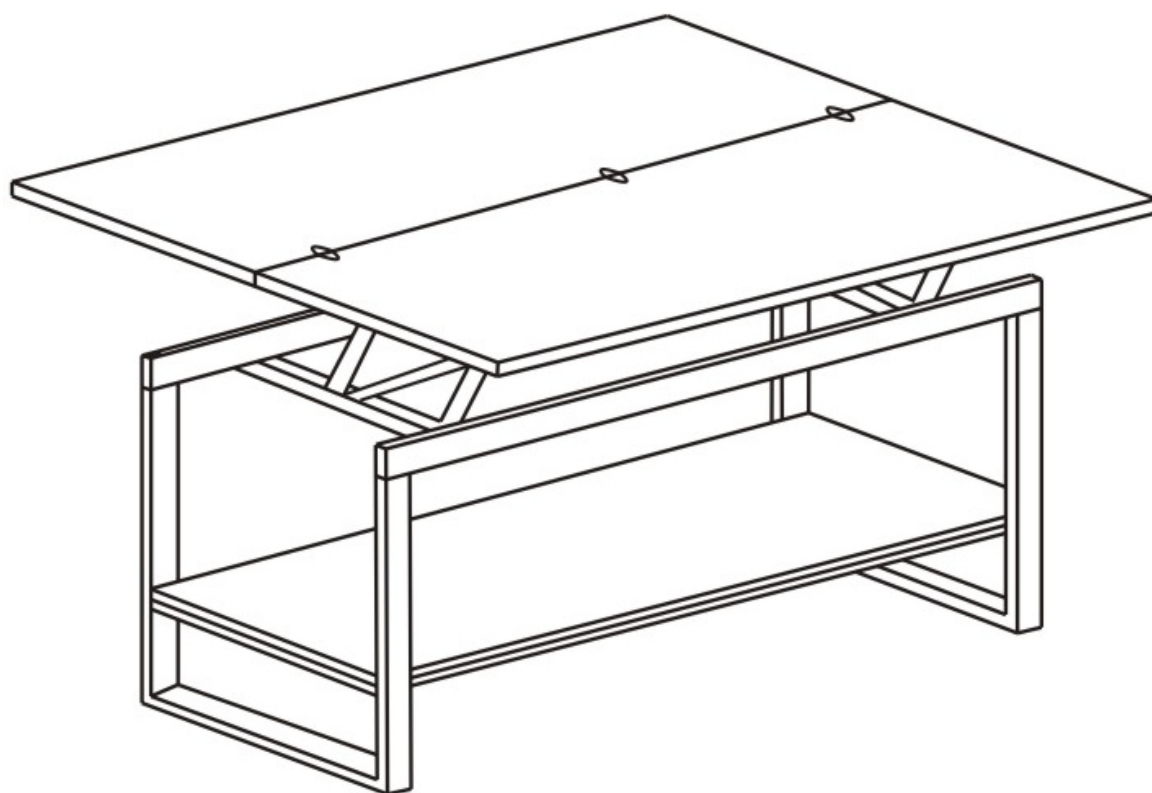


KLAST

www.klasthome.com



ALVI

Ref: GA-0005

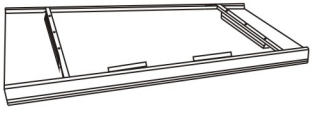
1/4

-V1.0-

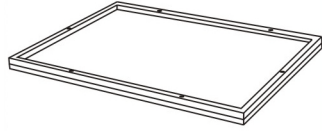
KLAST

www.klasthome.com

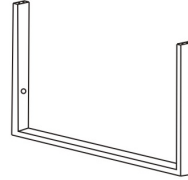
MATERIAL



(A) x 1



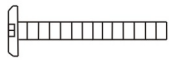
(B) x 1



(C) x 2

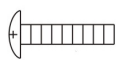


(D) x 4



6x50 mm

(E) x 8



6x30 mm

(F) x 4

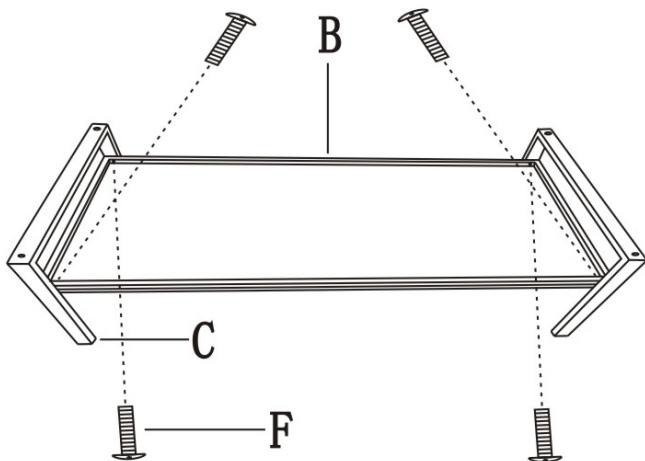


(G)

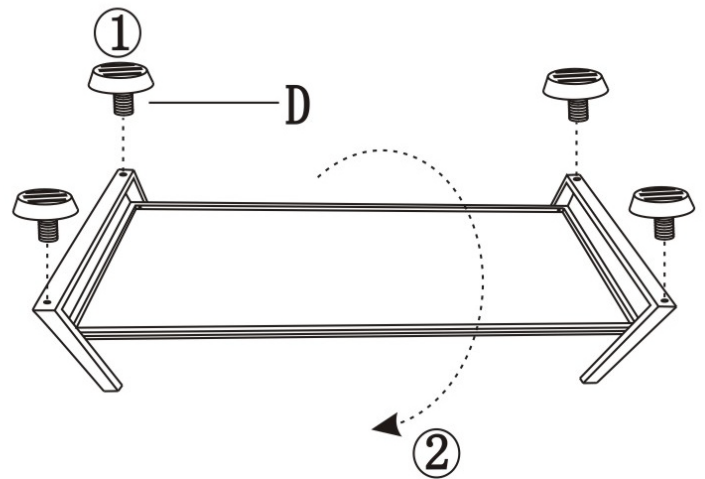


(H) x 4

STEP 1



STEP 2



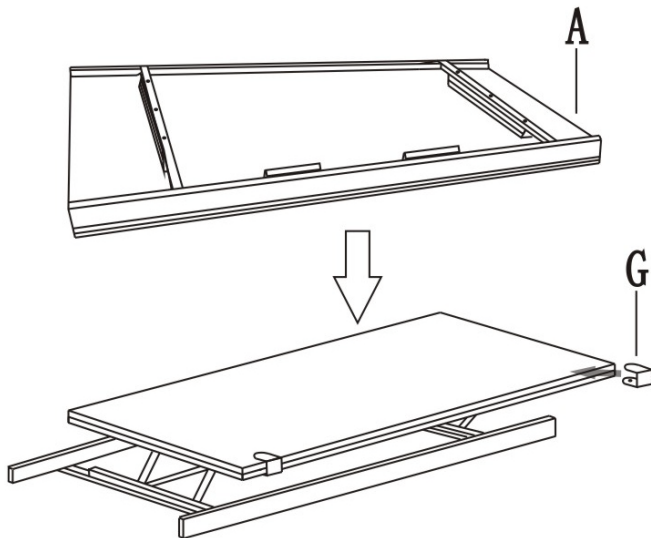
ALVI

Ref: GA-0005

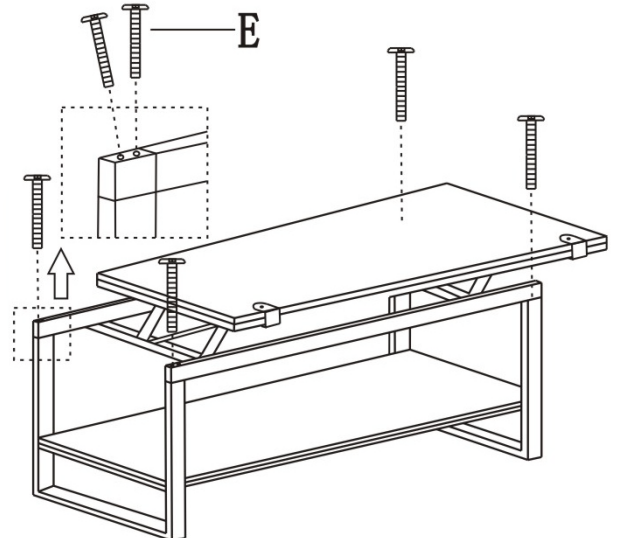
KLAST

www.klasthome.com

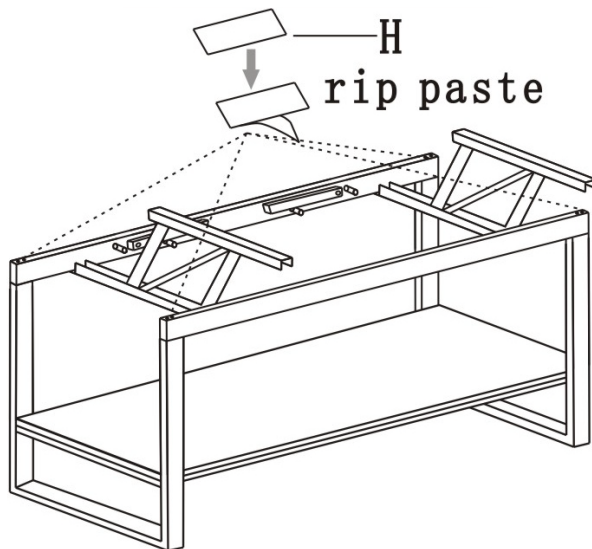
STEP 3



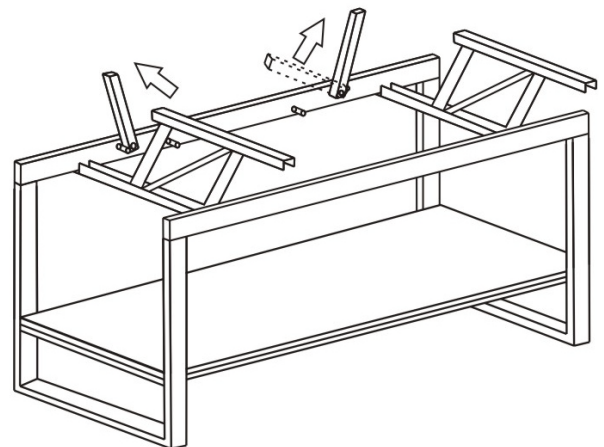
STEP 4



STEP 5



STEP 6



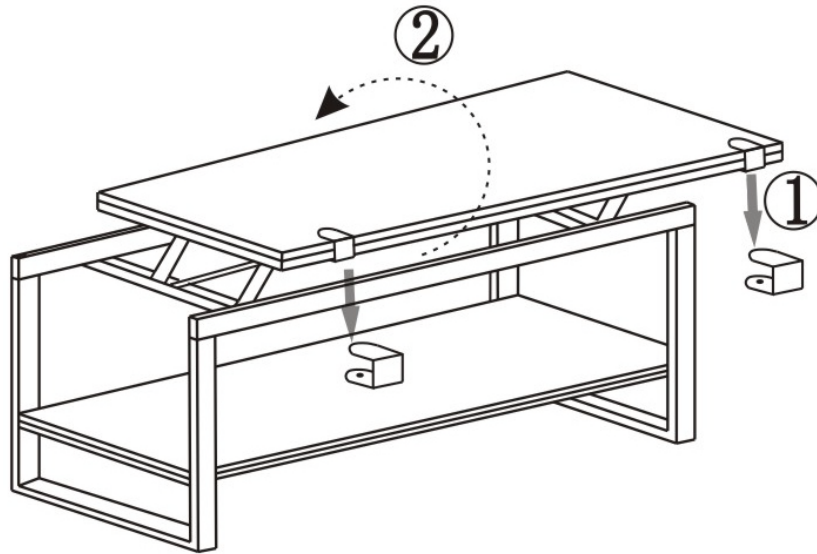
ALVI

Ref: GA-0005

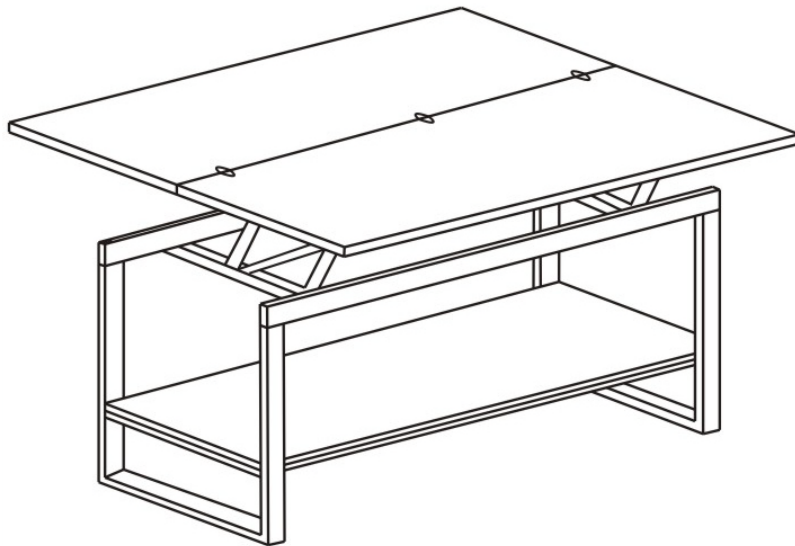
KLAST

www.klasthome.com

STEP 7



STEP 8



ALVI

Ref: GA-0005

4/4

-V1.0-