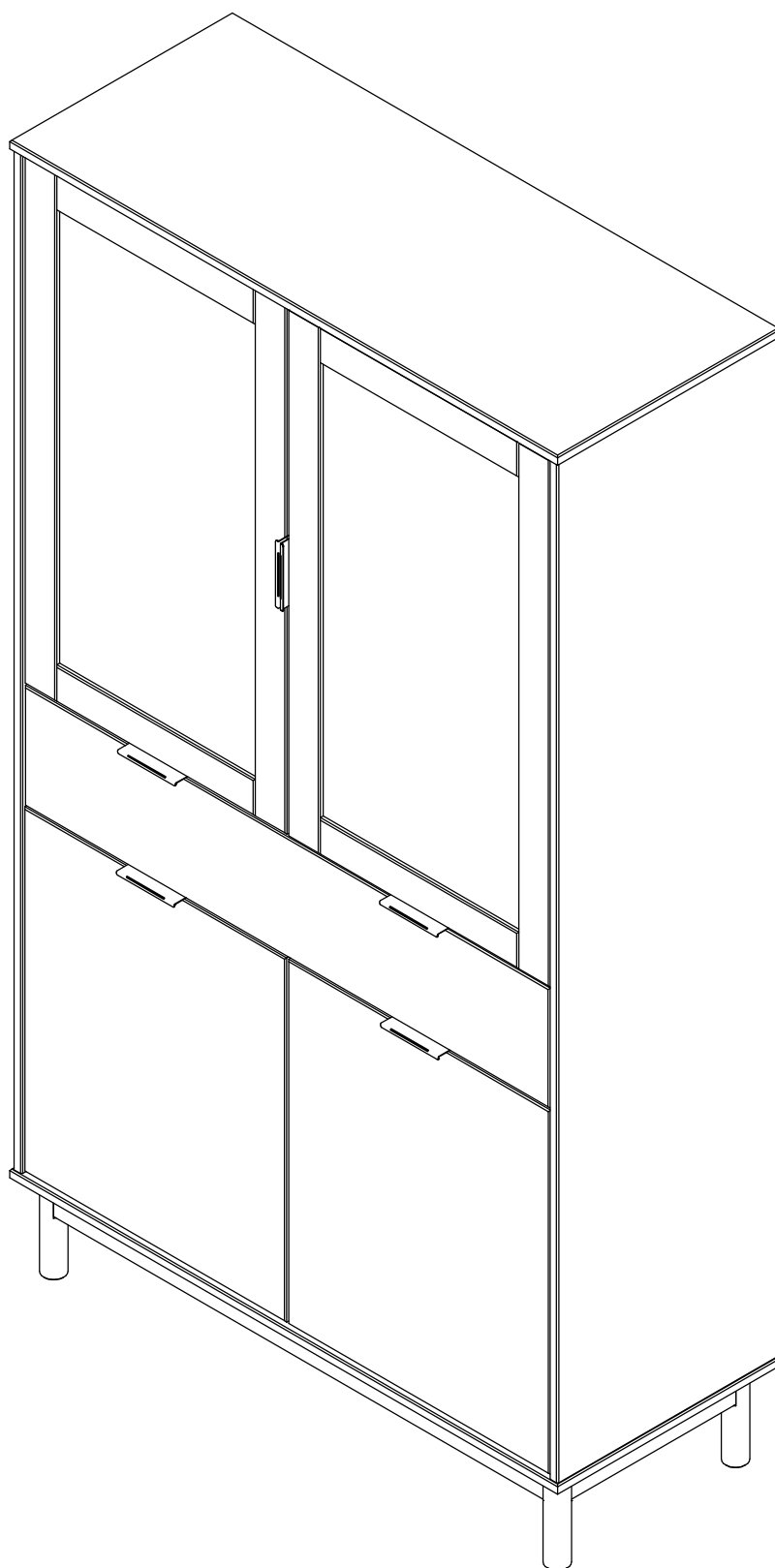


KLAST

www.klasthome.com



ELIAN

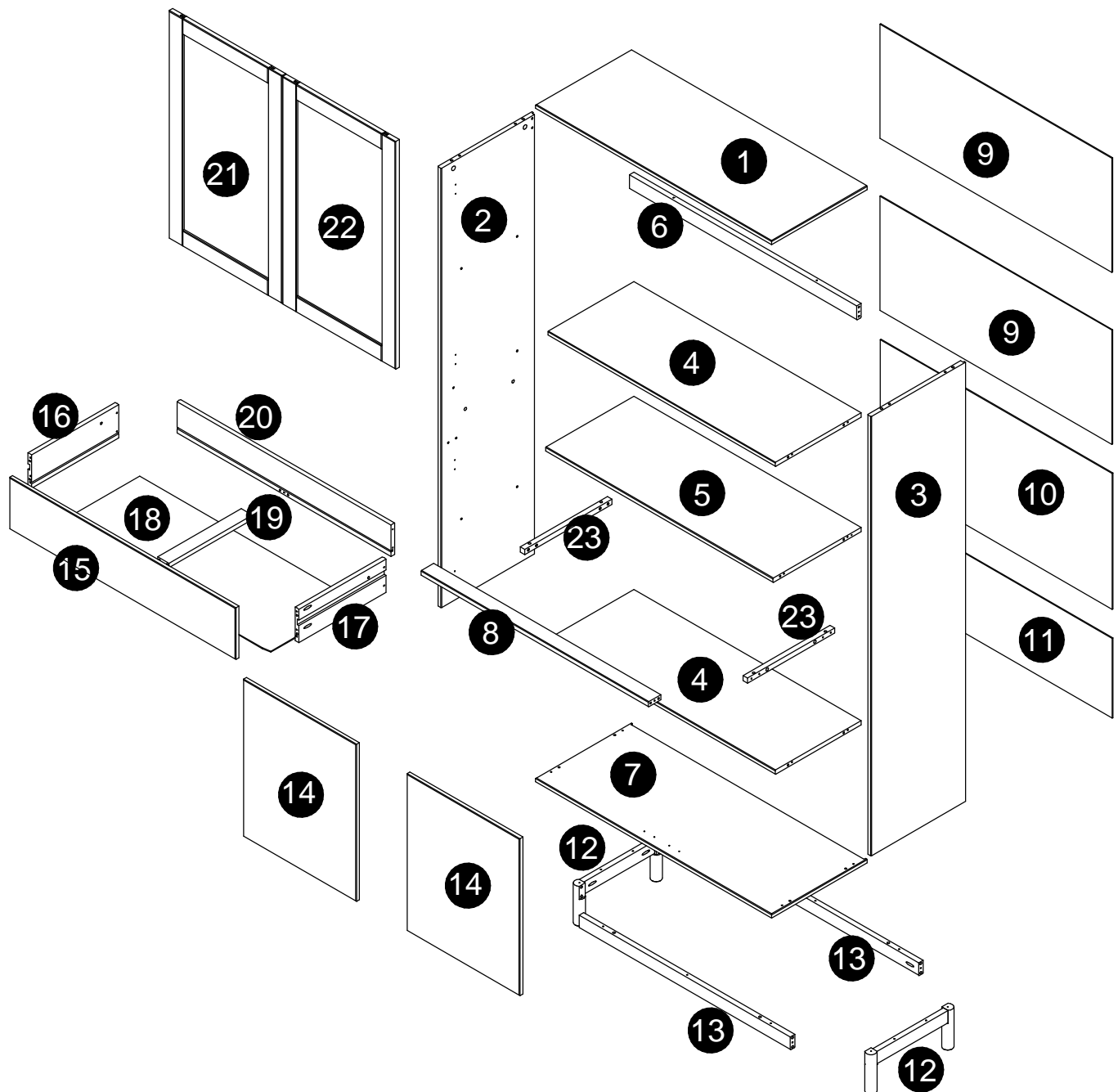
Ref:TL-0009

1/17

KLAST

www.klasthome.com

MATERIAL



ELIAN

Ref:TL-0009

2/17

KLAST

www.klasthome.com

MATERIAL



A

Ø6x30mm (32x)



B

Ø8x30mm (14x)



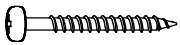
C

Ø3,5x12mm (44x)



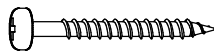
D

Ø3,5x14mm (12x)



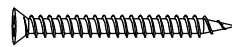
E

Ø3,5x30mm (23x)



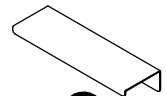
F

Ø3,5x35mm (14x)



G

Ø3,5x35mm (08x)



H

(06x)



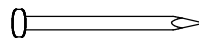
I

(04x)



J

(04x)



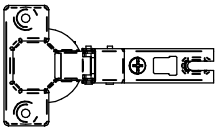
K

(45x)



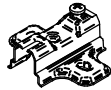
L

(04x)



M

(08x)



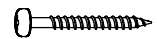
N

(08x)



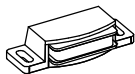
O

Ø10x20mm (04x)



P

Ø3,5x25mm (04x)



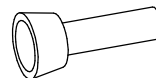
Q

(06x)



R

(06x)



S

(02x)



T

Ø3,0x12mm (12x)



U

(09x)



V

(02x)



W

(02x)



X

Ø3,5x20mm (02x)

ELIAN

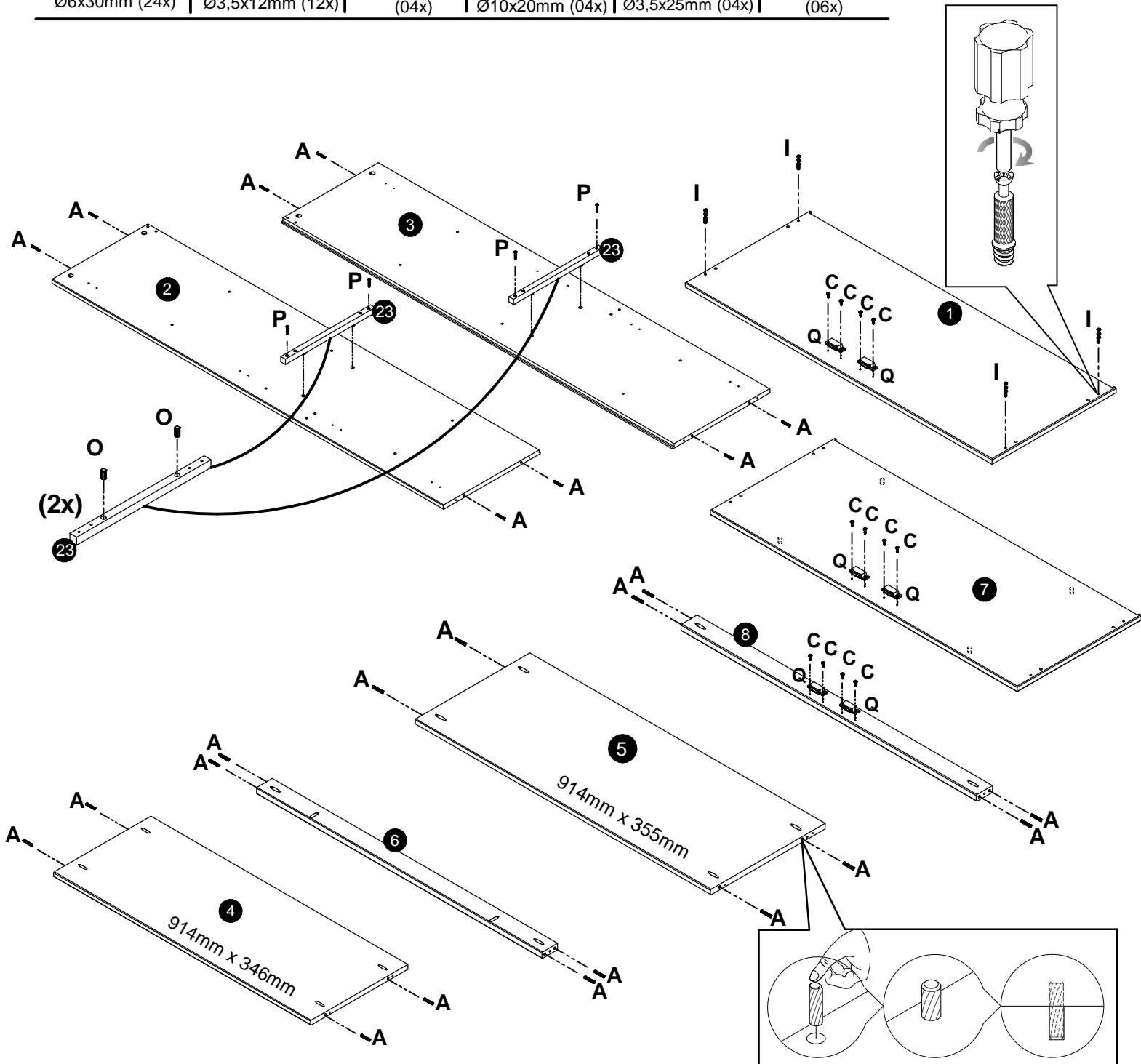
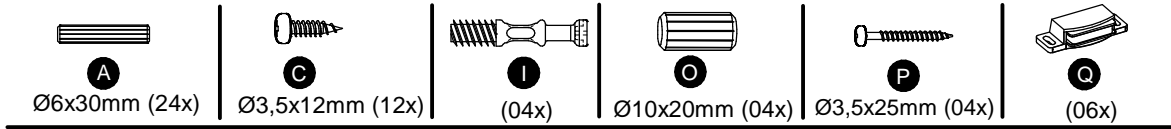
Ref:TL-0009

3/17

KLAST

www.klasthome.com

STEP 1



ELIAN

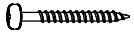
Ref:TL-0009

4/17

KLAST

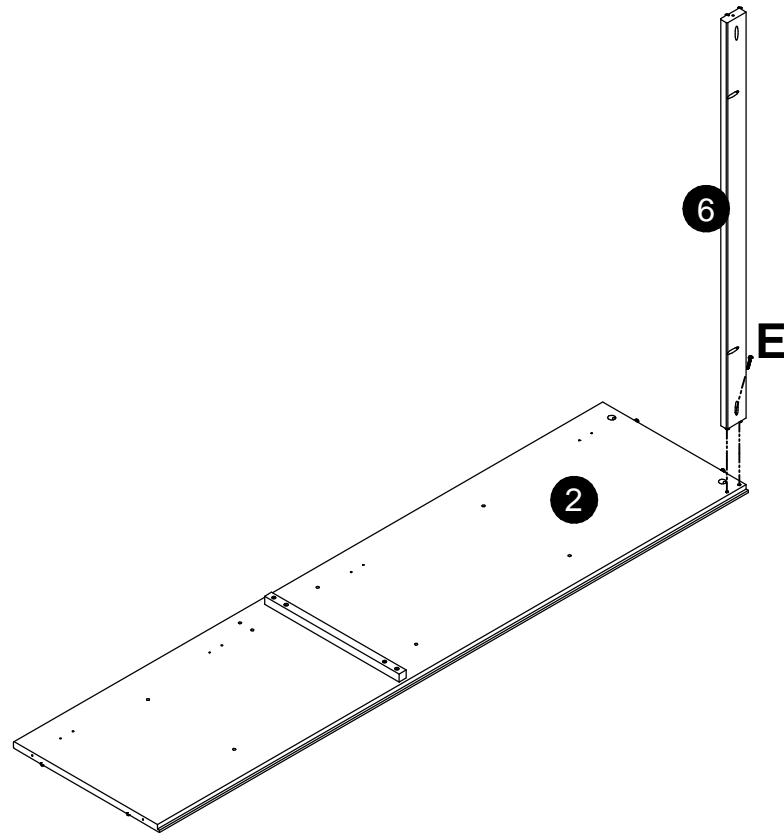
www.klasthome.com

STEP 2

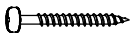


E

Ø3,5x30mm (01x)

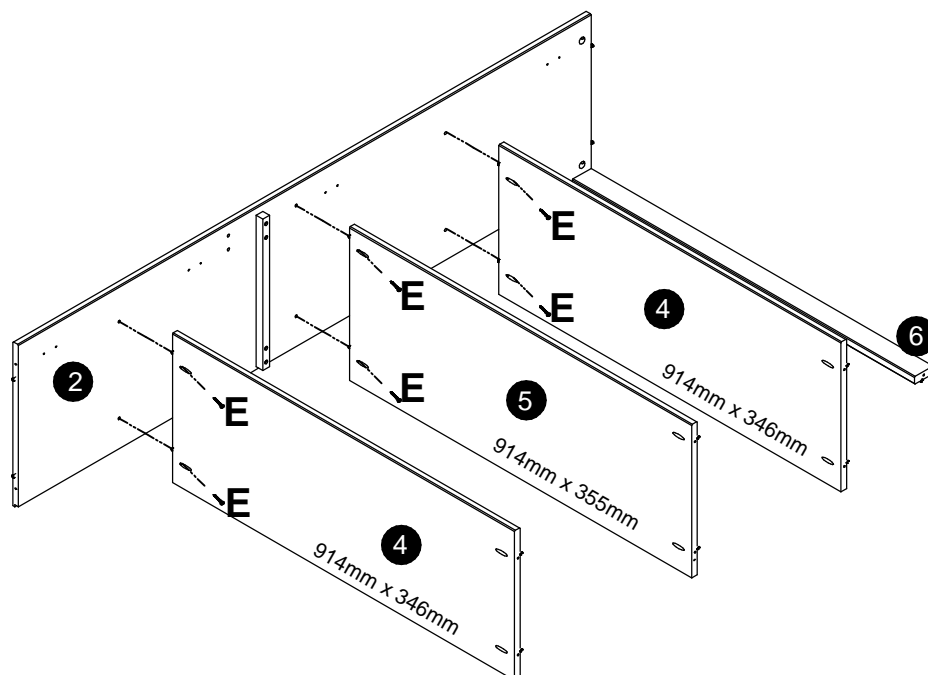


STEP 3



E

Ø3,5x30mm (06x)



ELIAN

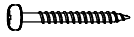
Ref:TL-0009

5/17

KLAST

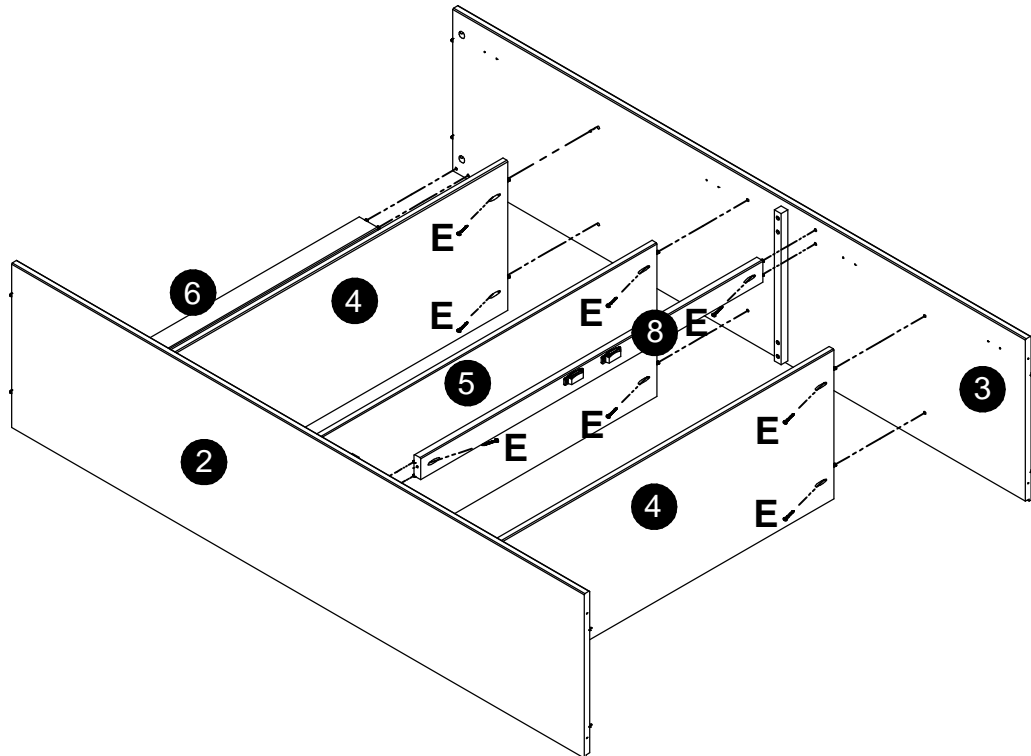
www.klasthome.com

STEP 4



E

Ø3,5x30mm (08x)

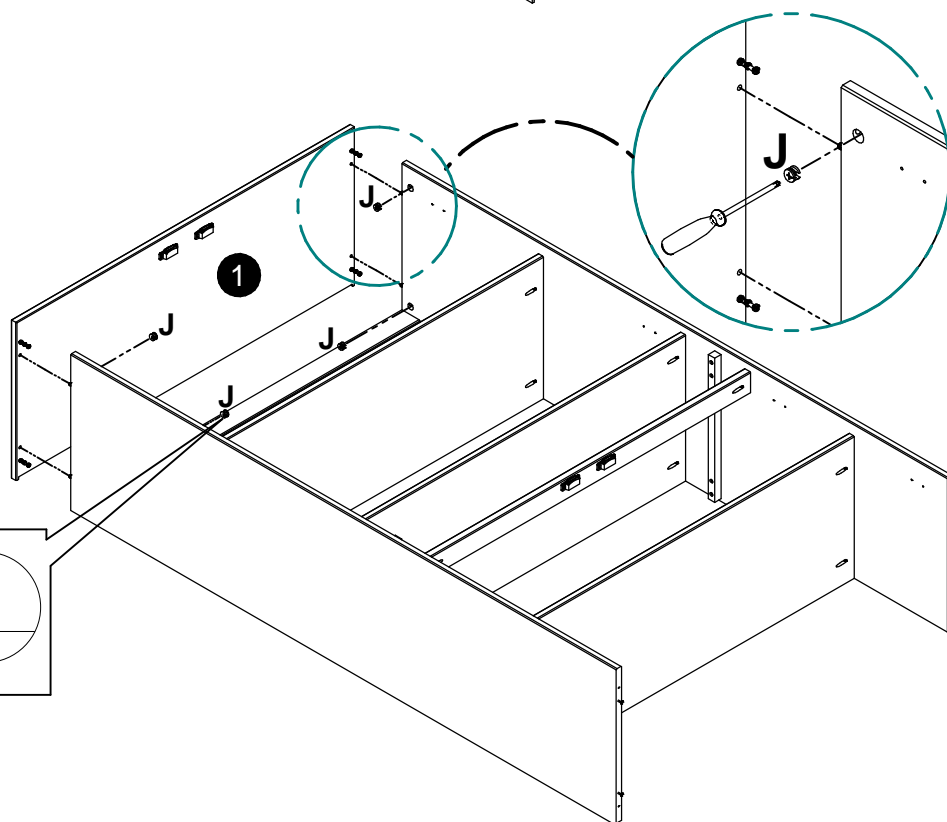


STEP 5



J

(4x)



ELIAN

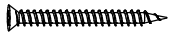
Ref:TL-0009

6/17

KLAST

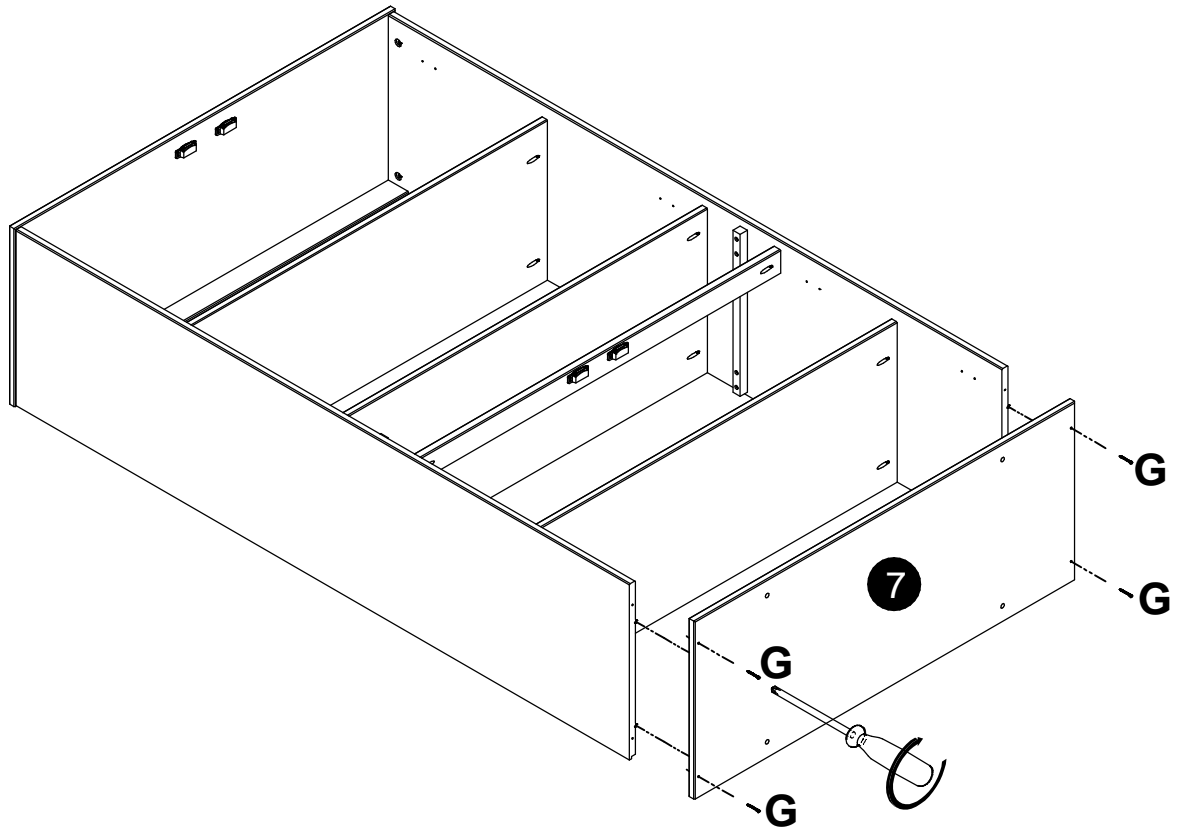
www.klasthome.com

STEP 6



G

Ø3,5x35mm (04x)

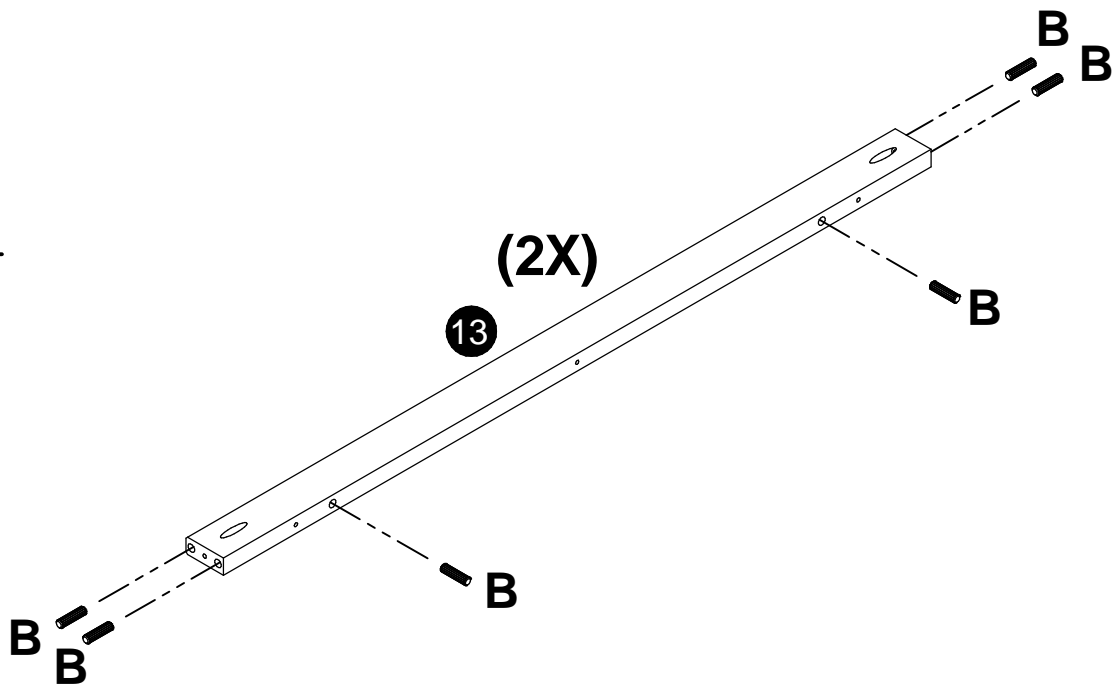


STEP 7



B

Ø8x30mm (12x)



ELIAN

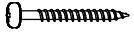
Ref:TL-0009

7/17

KLAST

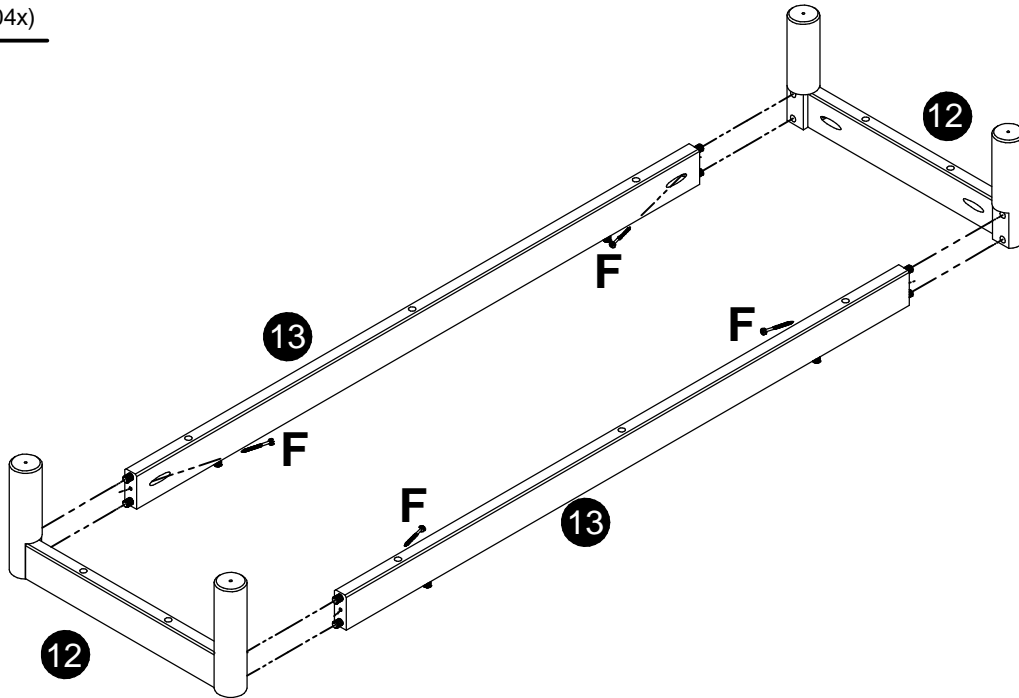
www.klasthome.com

STEP 8



F

Ø3,5x35mm (04x)

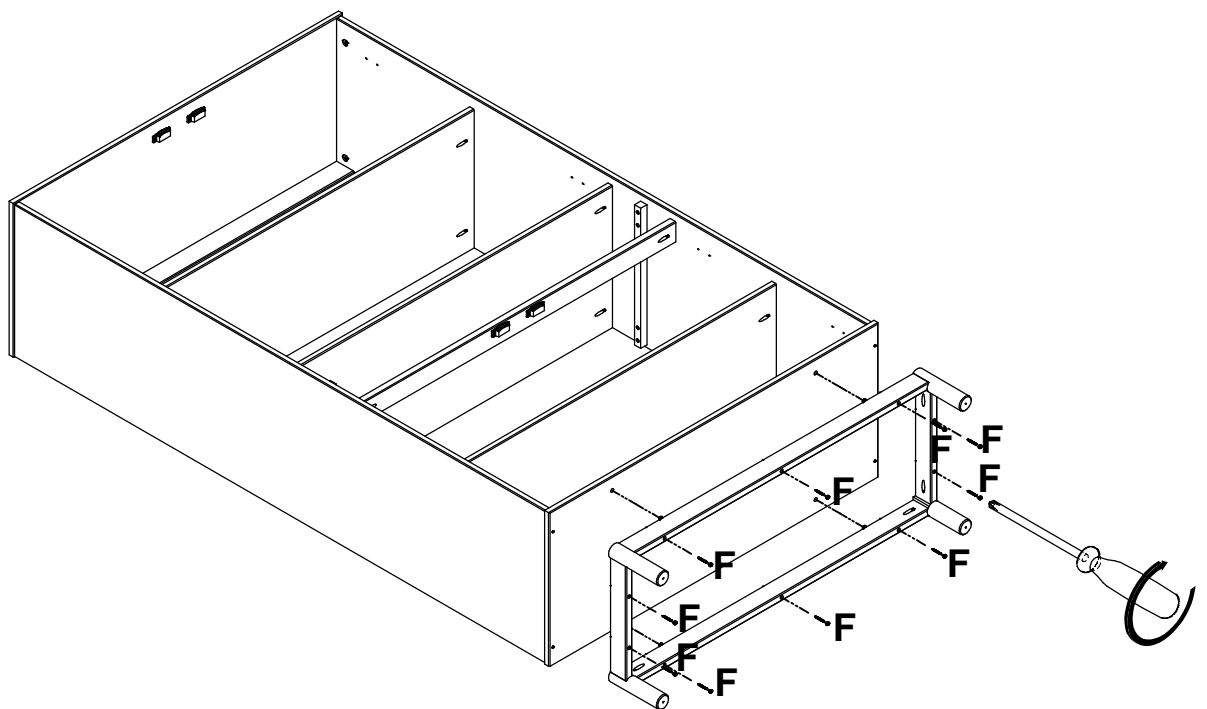


STEP 9



F

Ø3,5x35mm (10x)



ELIAN

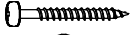
Ref:TL-0009

8/17

KLAST

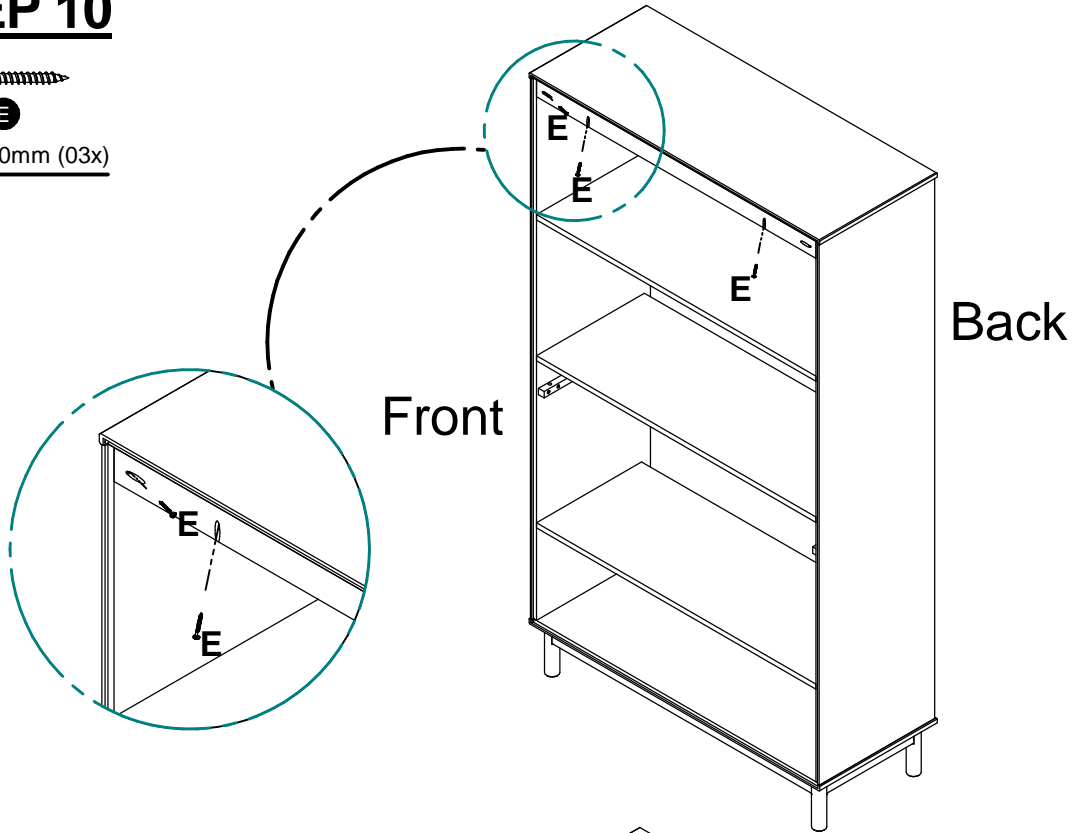
www.klasthome.com

STEP 10



E

Ø3,5x30mm (03x)

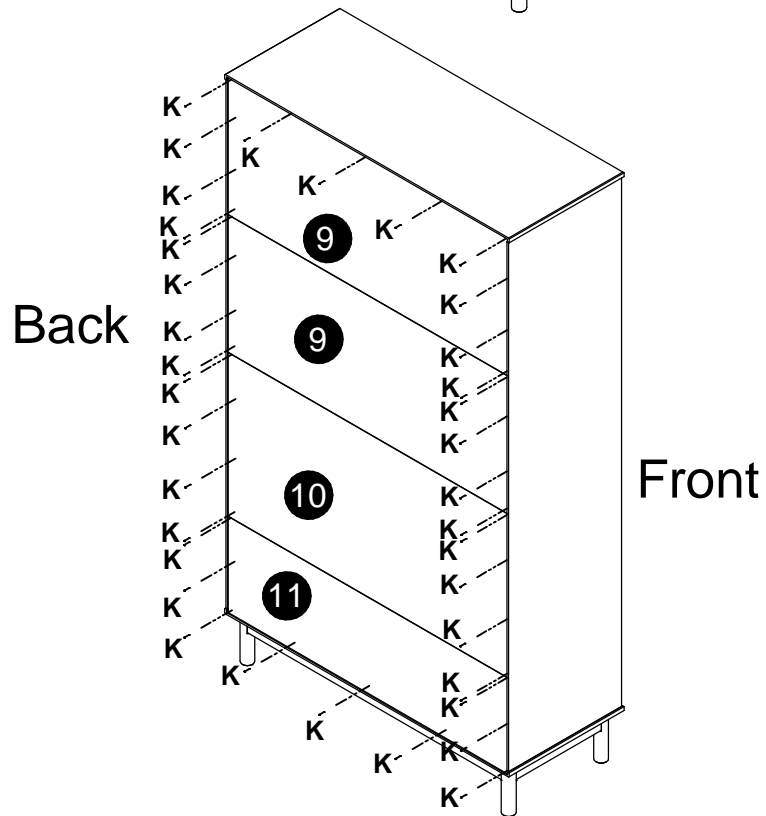


STEP 11



K

(36x)



ELIAN

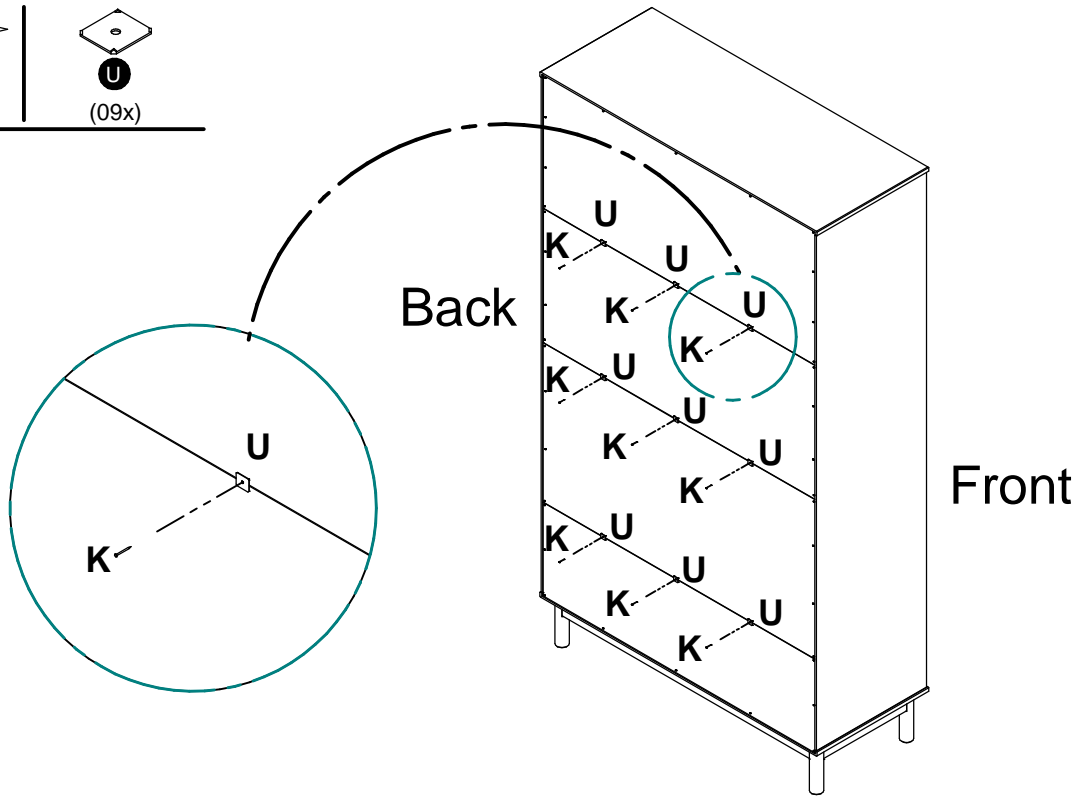
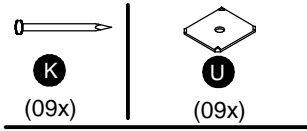
Ref:TL-0009

9/17

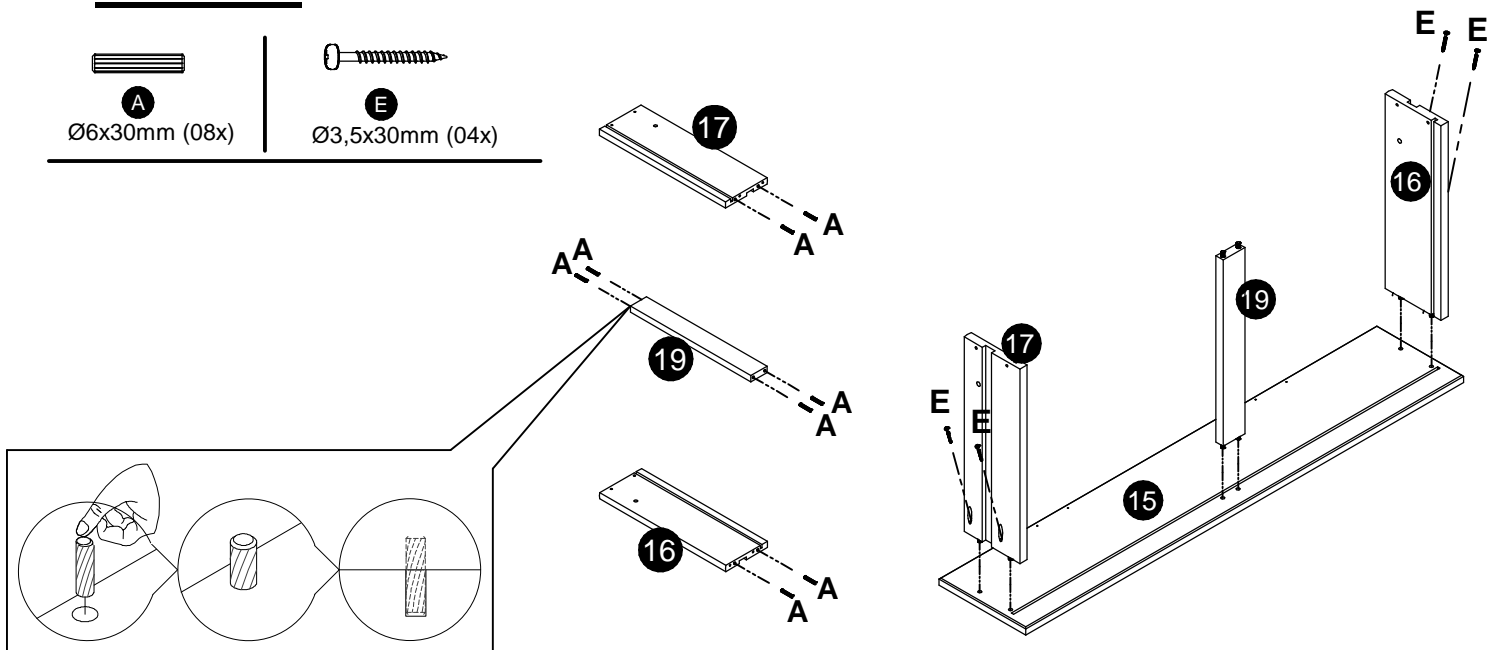
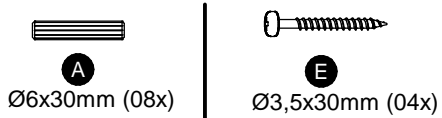
KLAST

www.klasthome.com

STEP 12



STEP 13



ELIAN

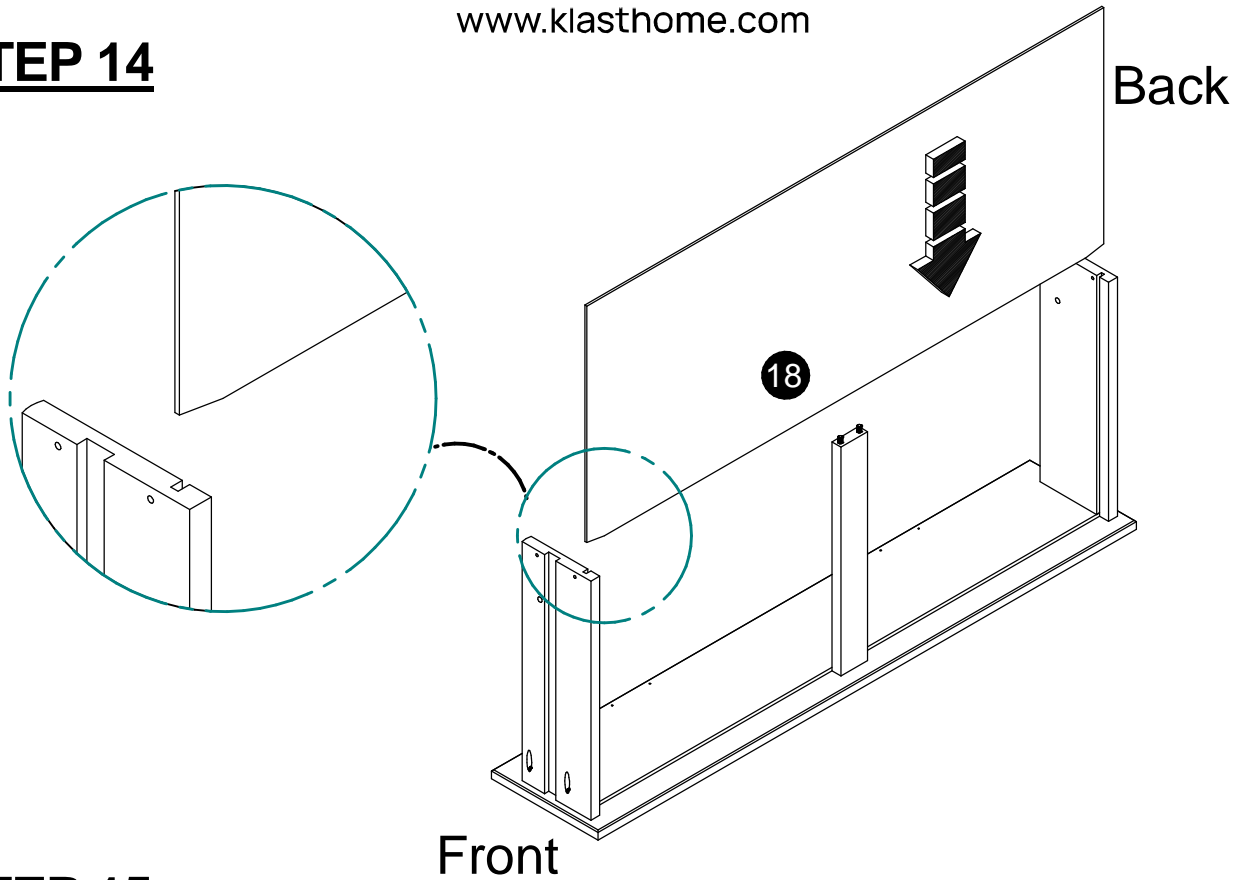
Ref:TL-0009

10/17

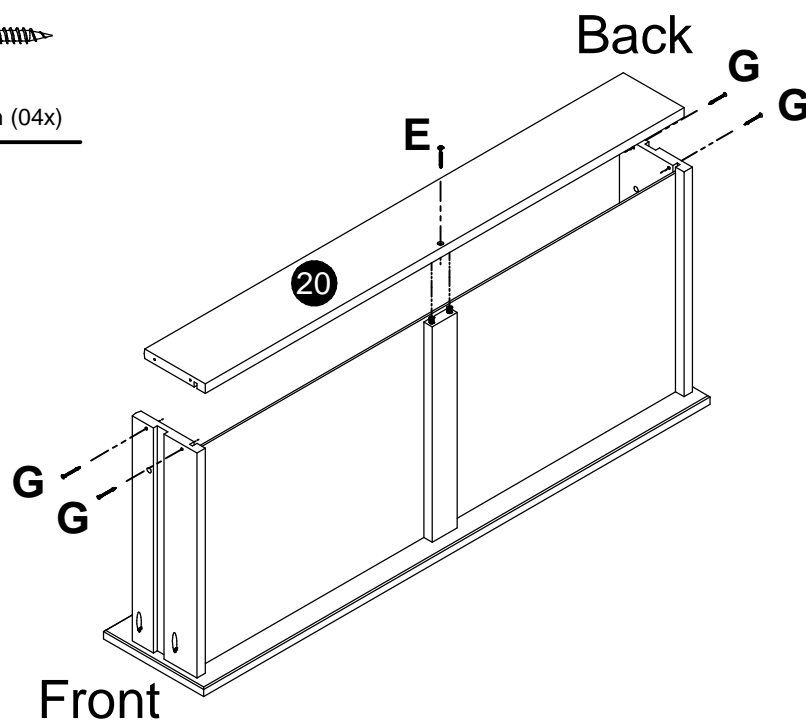
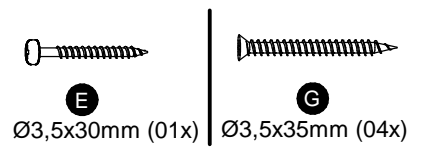
KLAST

www.klathome.com

STEP 14



STEP 15



ELIAN

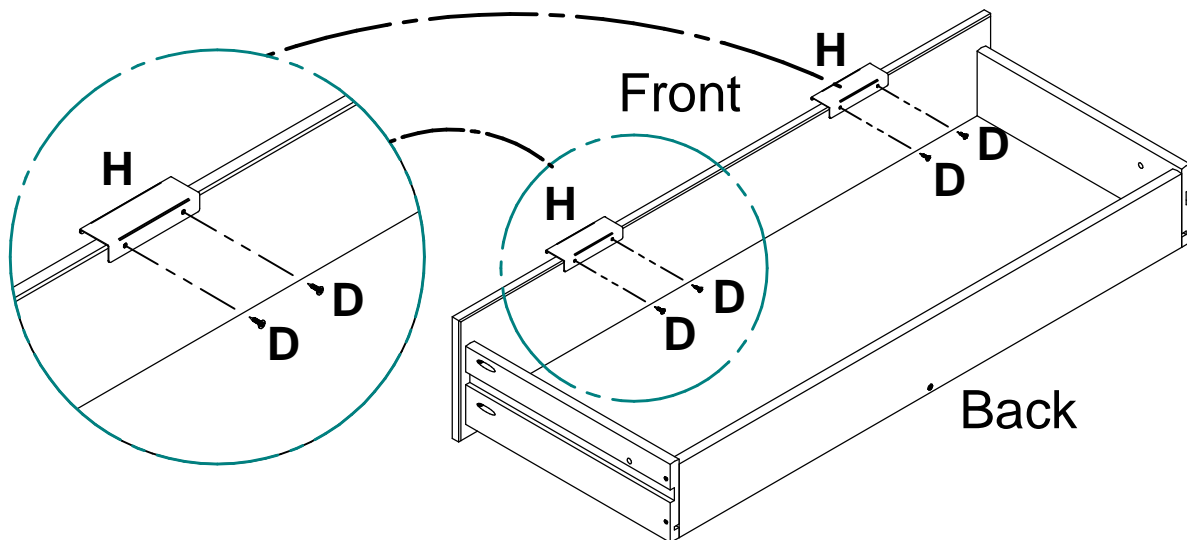
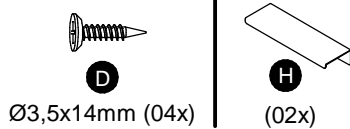
Ref:TL-0009

11/17

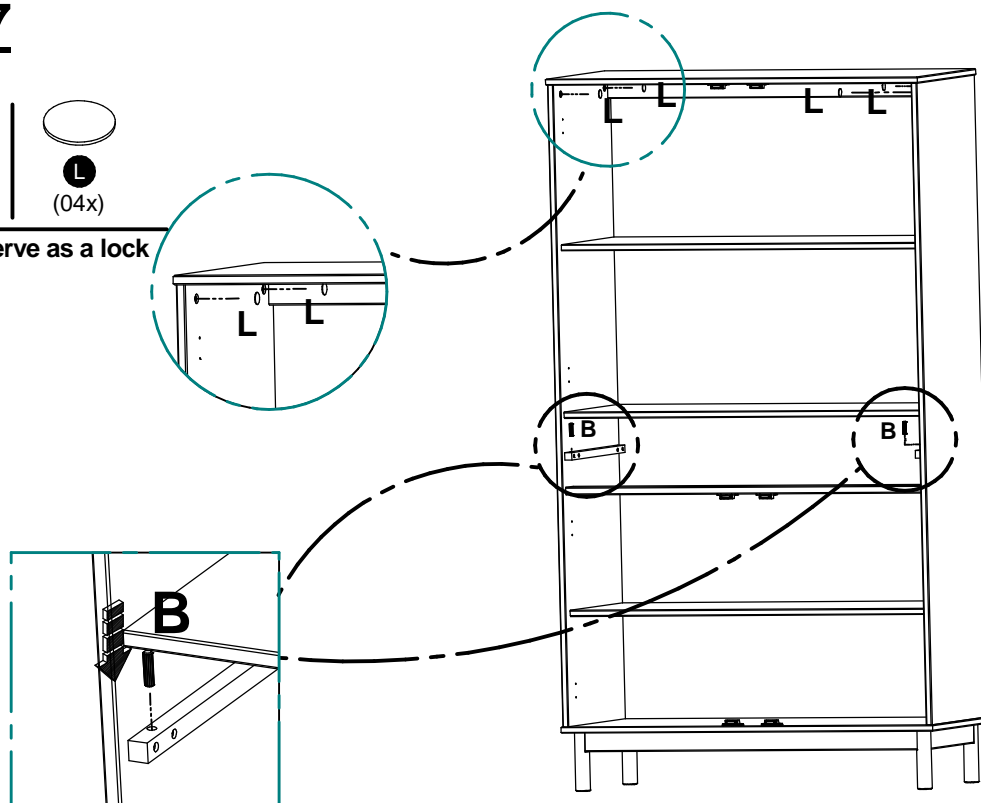
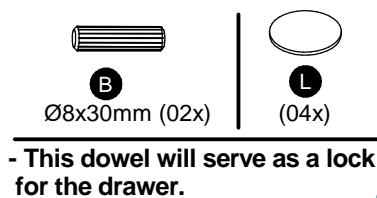
KLAST

www.klasthome.com

STEP 16



STEP 17



ELIAN

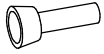
Ref:TL-0009

12/17

KLAST

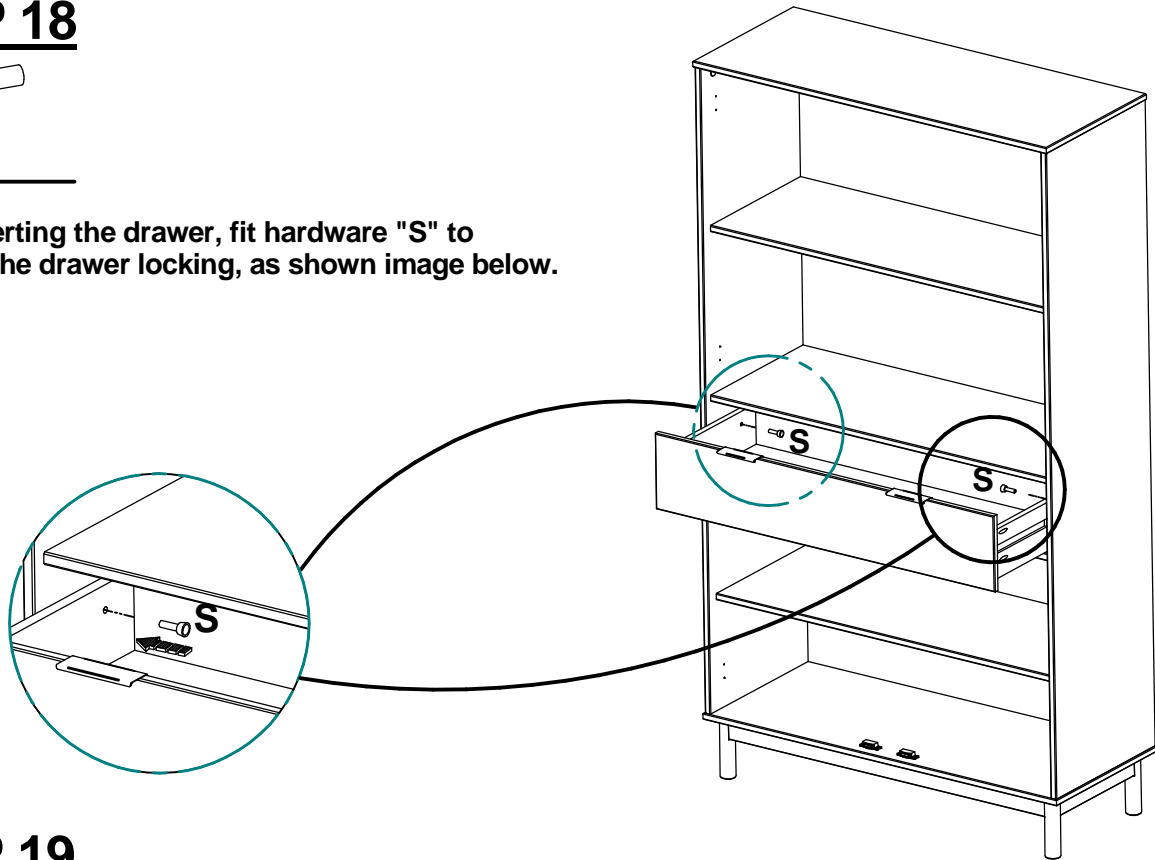
www.klasthome.com

STEP 18



S
(02x)

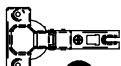
- After inserting the drawer, fit hardware "S" to complete the drawer locking, as shown image below.



STEP 19



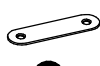
C
Ø3,5x12mm (08x)



M
(04x)



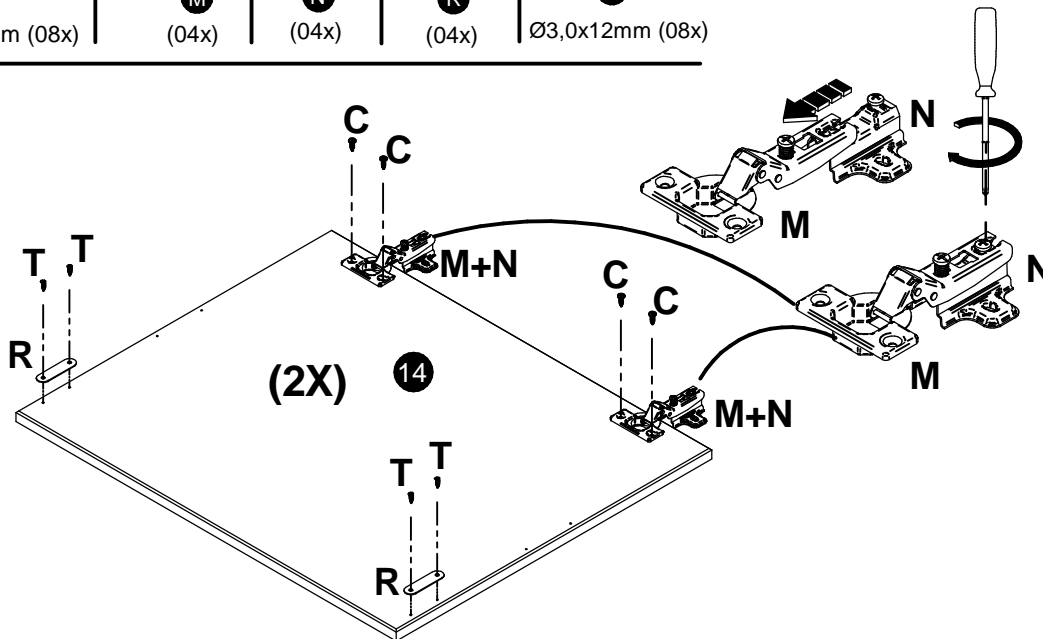
N
(04x)



R
(04x)



T
Ø3,0x12mm (08x)



ELIAN

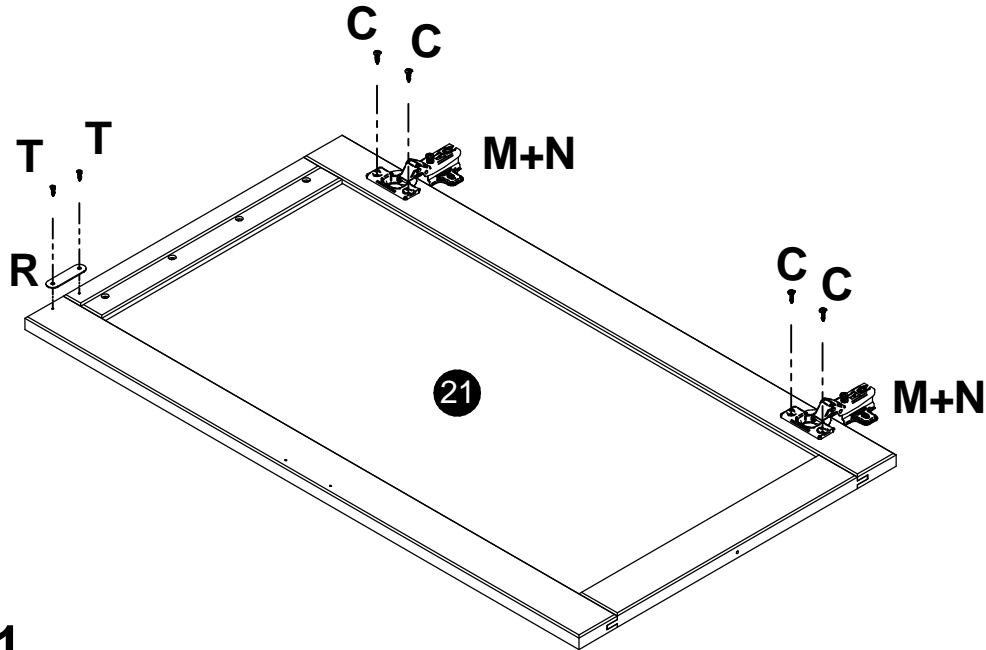
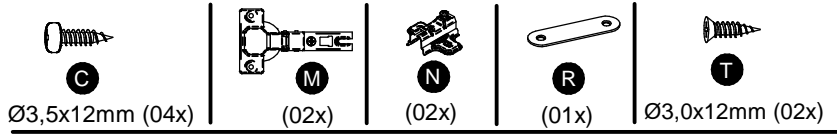
Ref:TL-0009

13/17

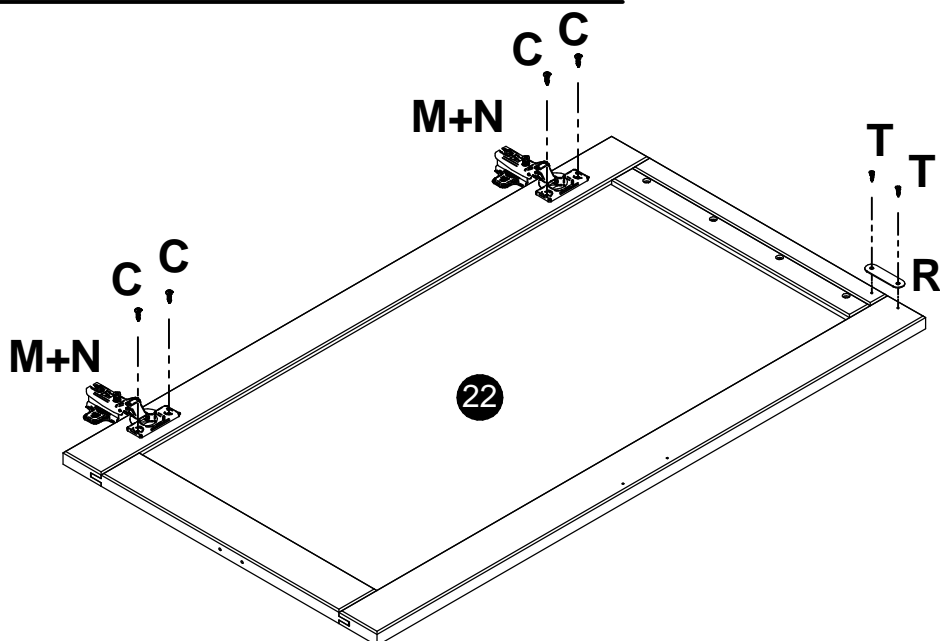
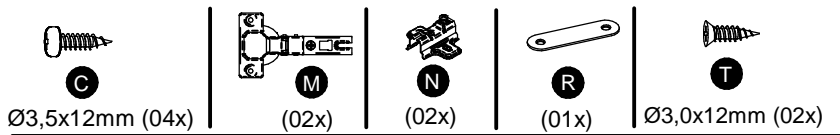
KLAST

www.klasthome.com

STEP 20



STEP 21



ELIAN

Ref:TL-0009

14/17

KLAST

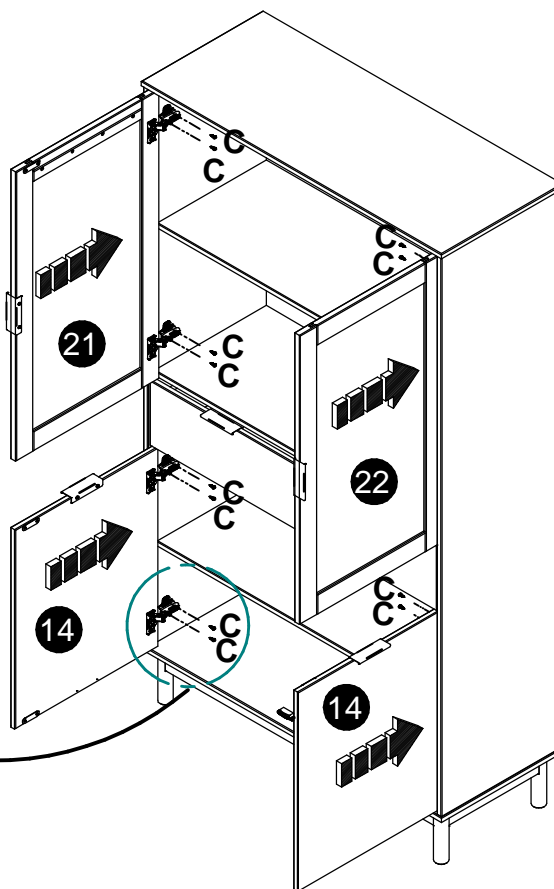
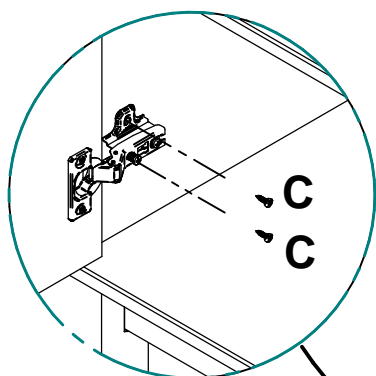
www.klasthome.com

STEP 22



C

Ø3,5x12mm (16x)

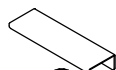


STEP 23



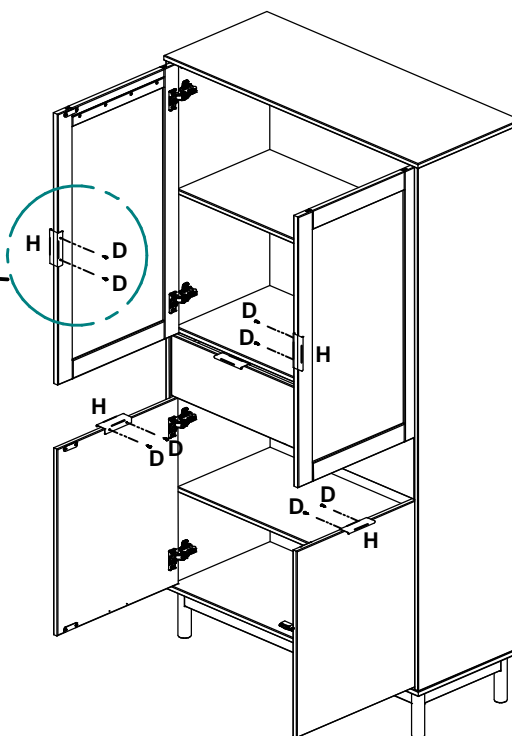
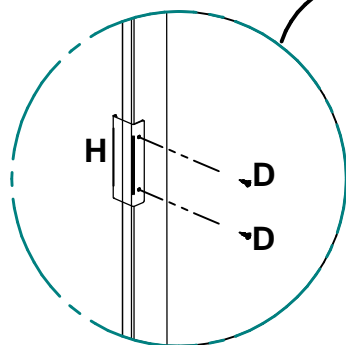
D

Ø3,5x14mm (08x)



H

(04x)



ELIAN

Ref:TL-0009

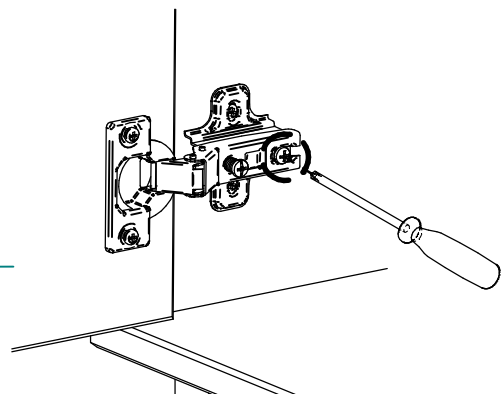
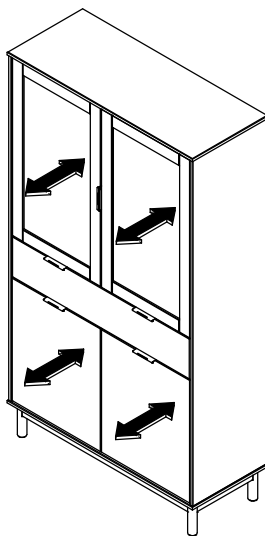
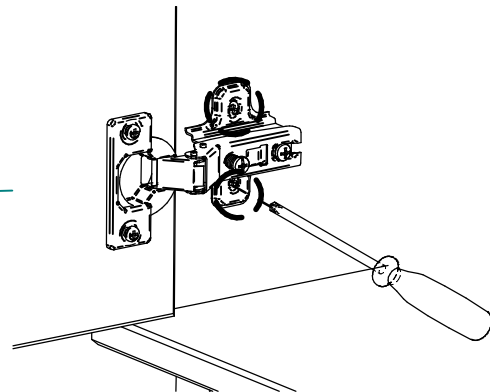
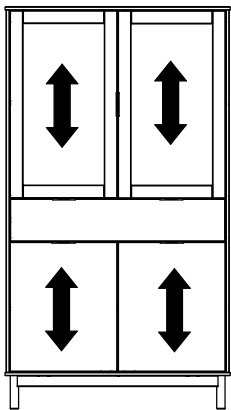
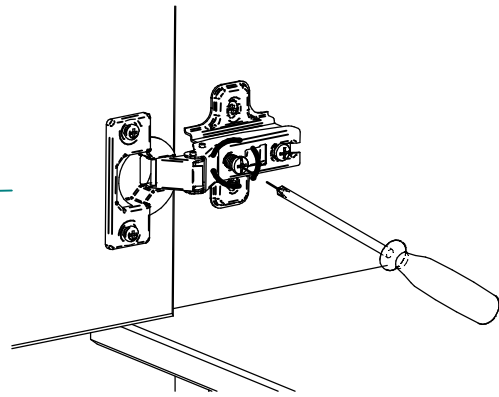
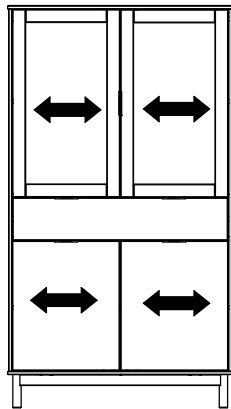
15/17

KLAST

www.klasthome.com

STEP 24

- DOOR ADJUSTMENT



ELIAN

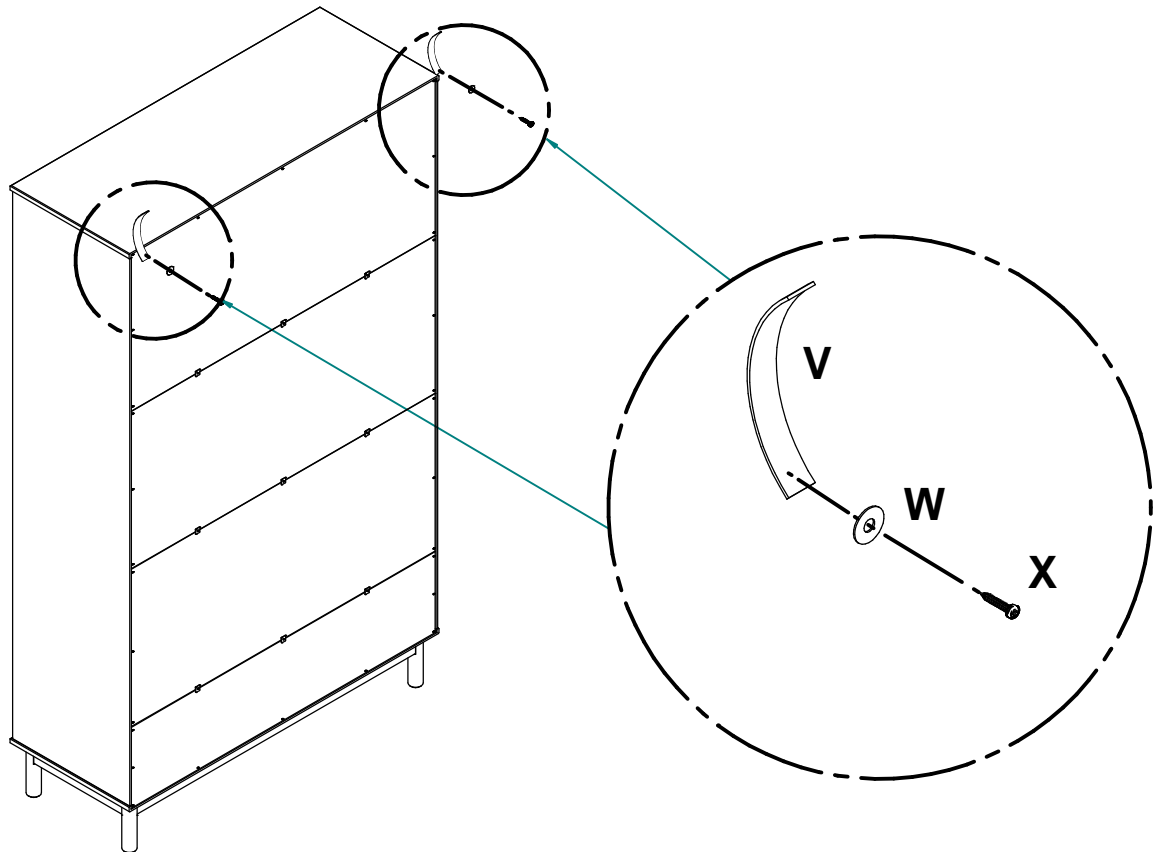
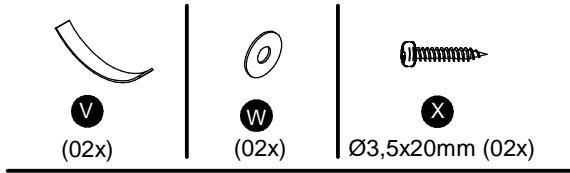
Ref:TL-0009

16/17

KLAST

www.klasthome.com

STEP 25



Attention

- Fix textile strap using screw and washer to the back/top of the product as shown above. Place your product in the final position. Mark the wall with a pencil where the hole will be drilled. Check for hidden gas and water pipes and/or electrical wiring. Drill holes and fit an appropriate wall plug (not supplied) for your wall type. Screw the straps to the wall. Choose an appropriate screw to secure. If in any doubt please consult a professional.

ELIAN

Ref:TL-0009

17/17