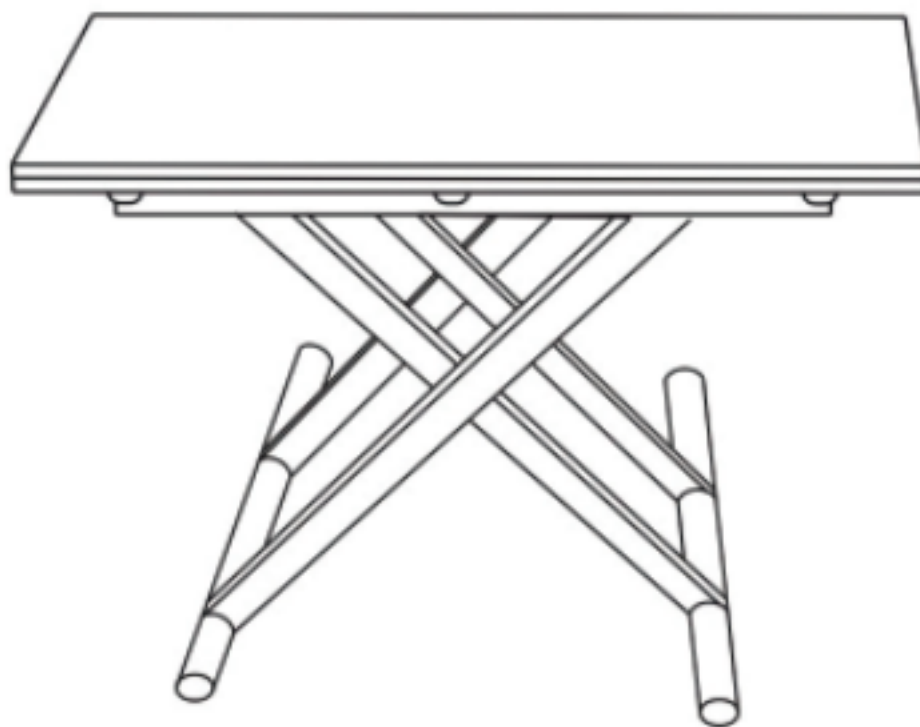


# KLAST

[www.klasthome.com](http://www.klasthome.com)



## TAPI

Ref: GA-0014

1/3

-V1.0-

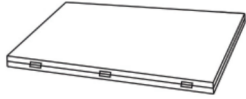
# KLAST

www.klasthome.com

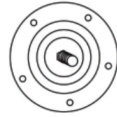
## MATERIAL



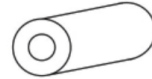
A x1 PC



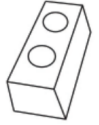
B x1 PC



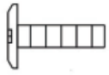
C x1 PC



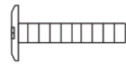
D x2 PC



E x1 PC



M6x15 mm  
F x5 PC



M8x30 mm  
G x2 PC



M8x16 mm  
H x1 PC

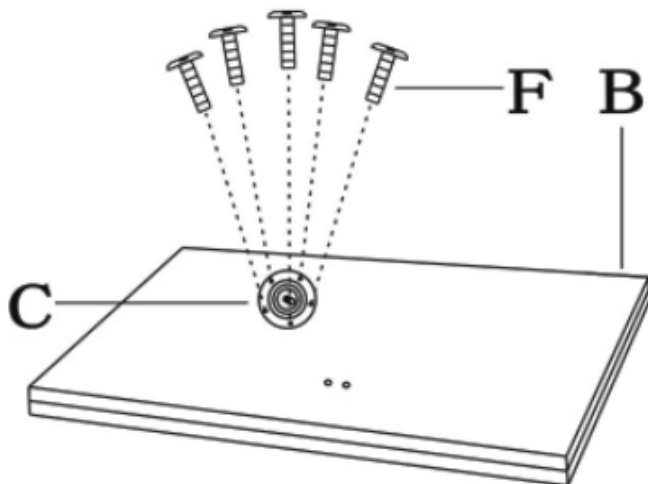


M8  
I x1 PC

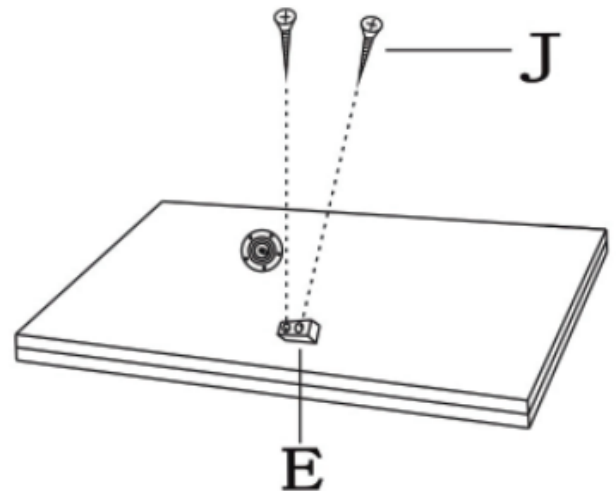


M4x20 mm  
J x2 PC

## STEP 1



## STEP 2



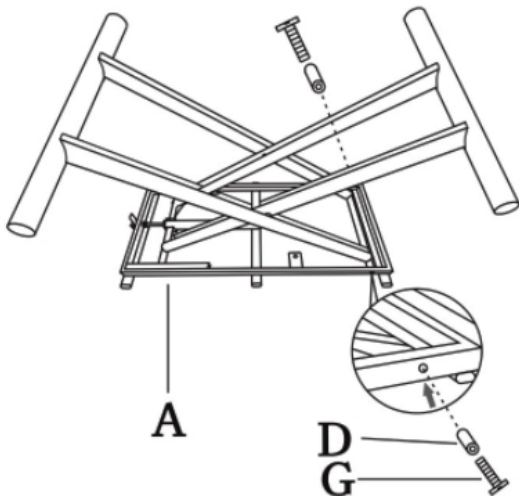
## TAPI

Ref: GA-0014

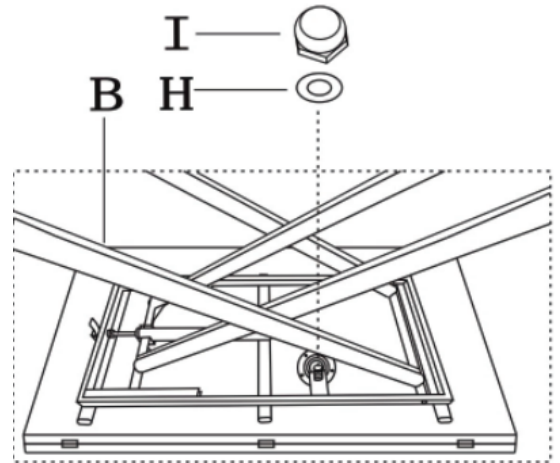
# KLAST

www.klasthome.com

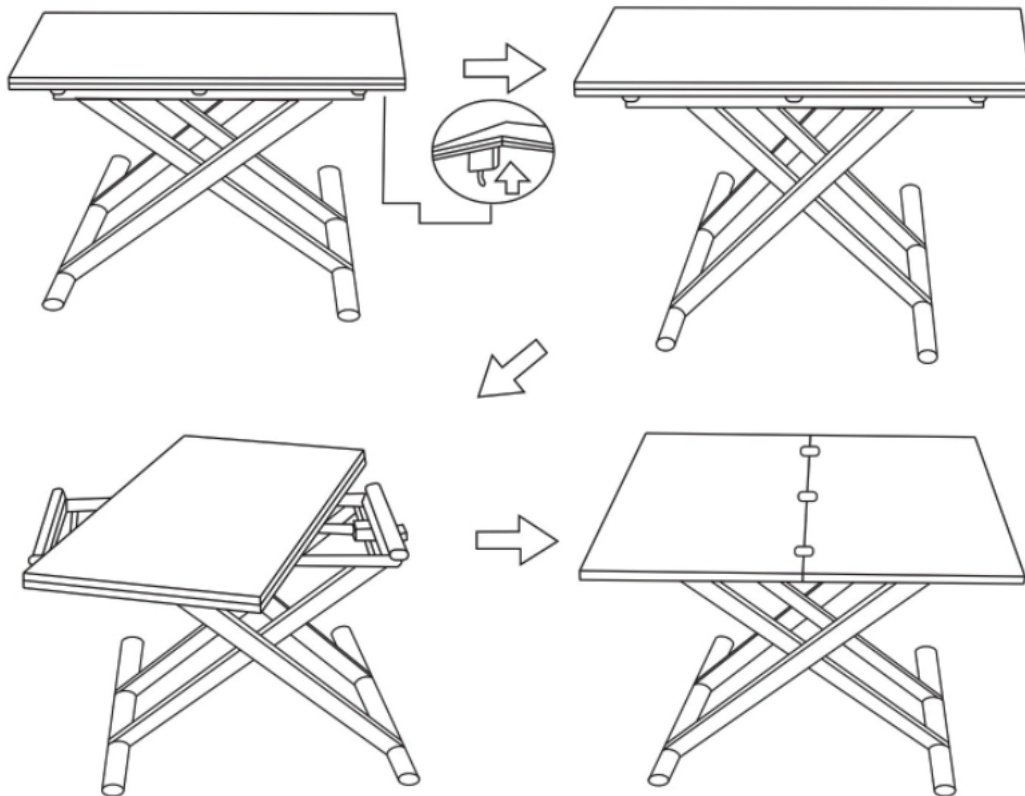
## STEP 3



## STEP 4



## STEP 5



# TAPI

Ref: GA-0014