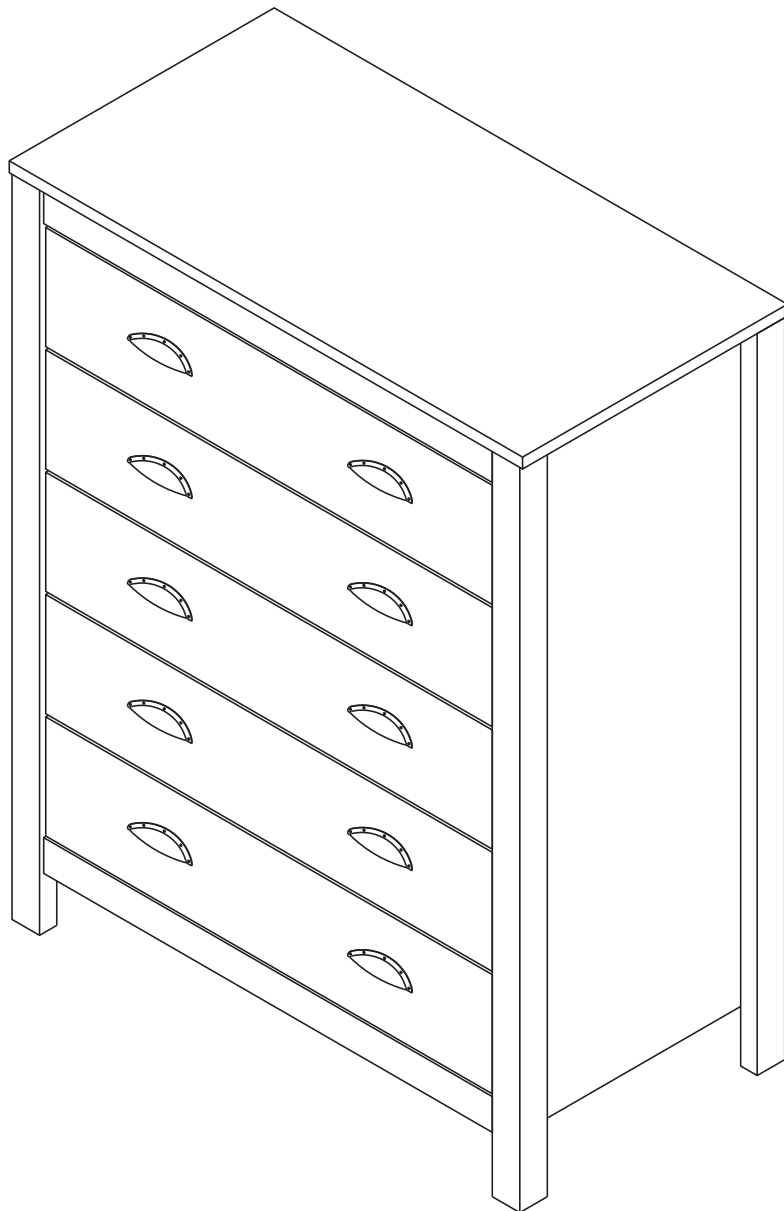


KLAST

www.klasthome.com



OAK

Ref: ET-0002

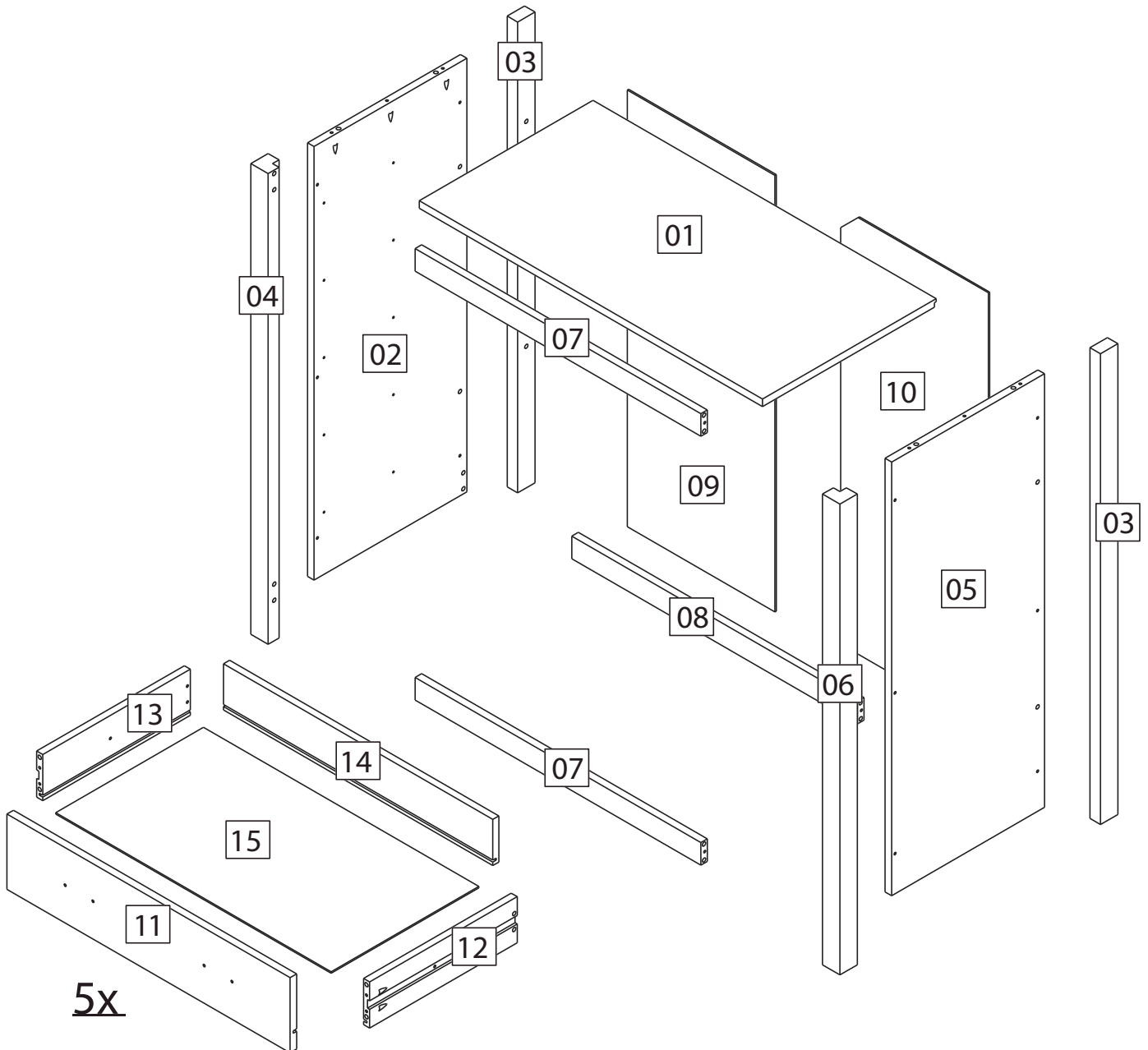
1/10

-V1.0-

KLAST

www.klasthome.com

MATERIAL



OAK

Ref: ET-0002

2/10

-V1.0-

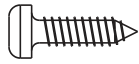
KLAST

www.klasthome.com

MATERIAL



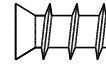
Ø8x30 mm
A x40 PC



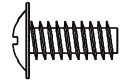
3,5x14 mm
B x1 PC



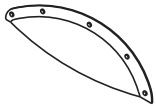
4x30 mm
C x64 PC



6x8 mm
D x20 PC



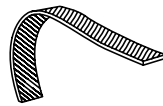
M4x12 mm
E x10 PC



F x10 PC



G x2 PC



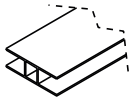
H x1 PC



I x30 PC



J x10 PC



820 mm
K x1 PC



M4x18 mm
L x20 PC

OAK

Ref: ET-0002

3/10

-V1.0-

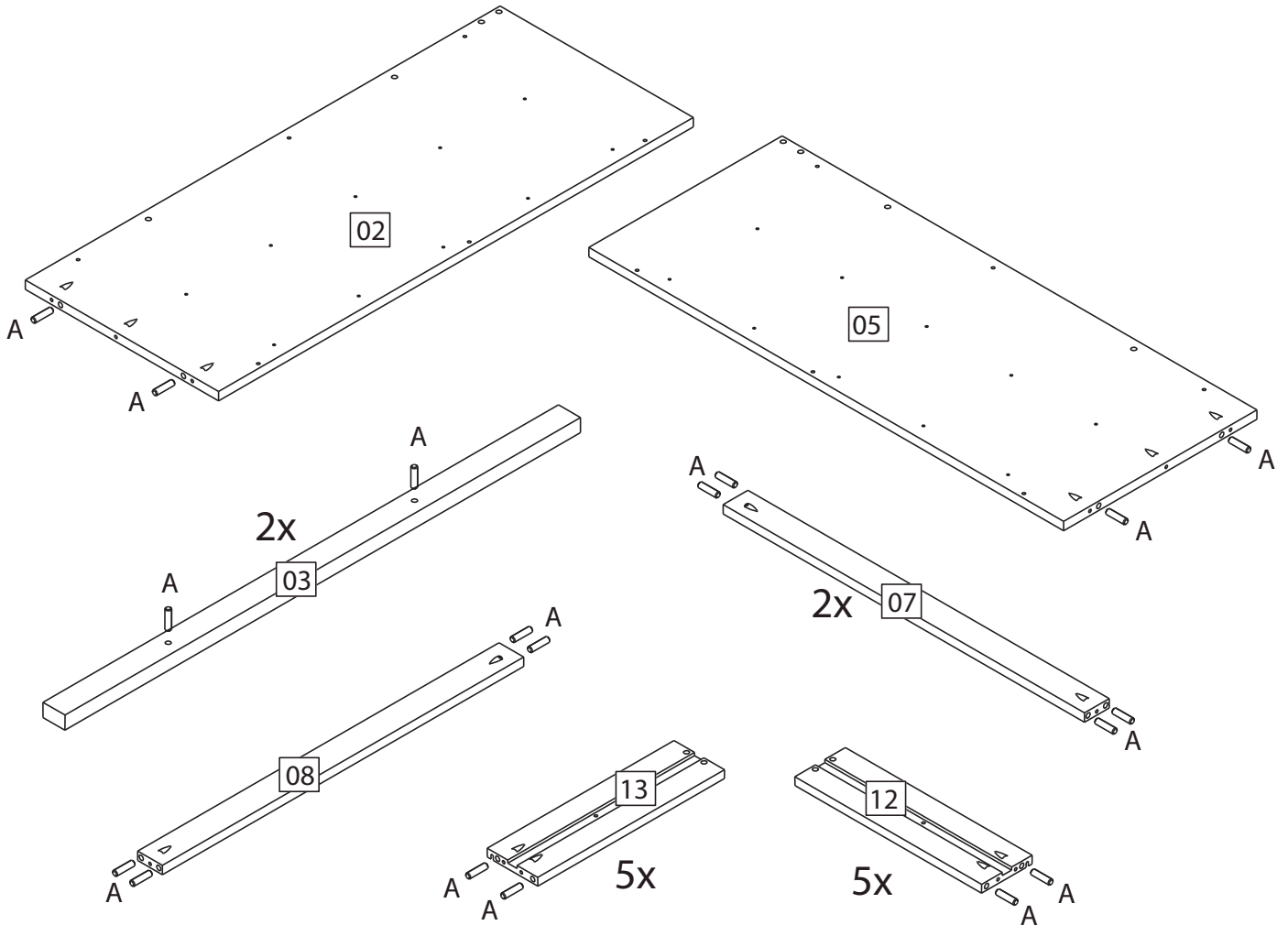
KLAST

www.klasthome.com

STEP 1



A x40



OAK

Ref: ET-0002

4/10

-V1.0-

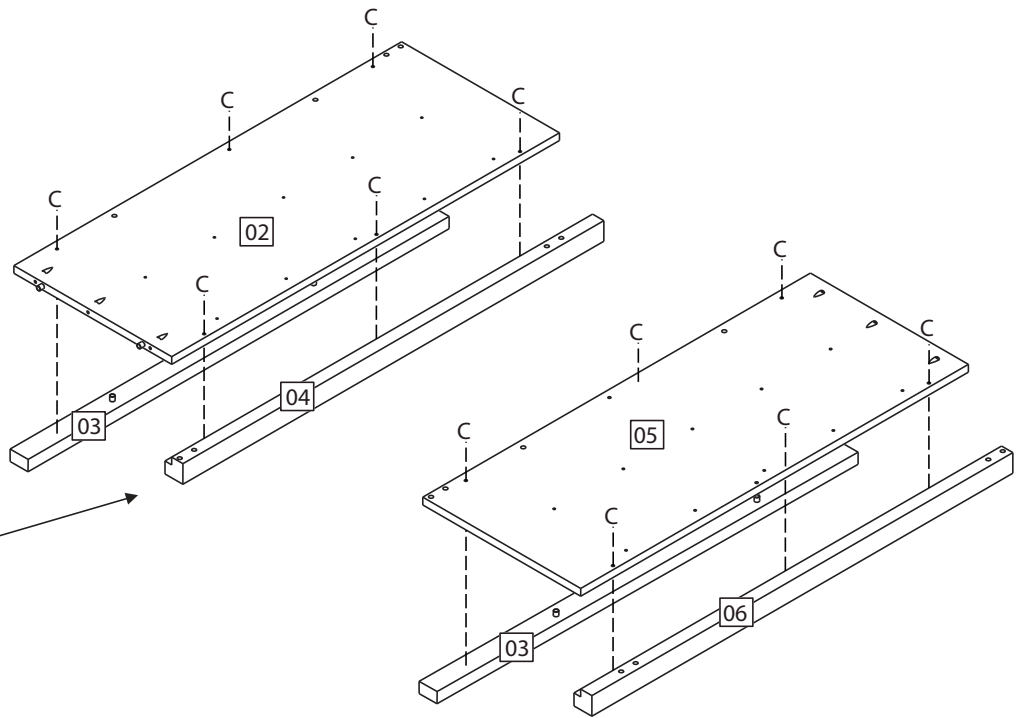
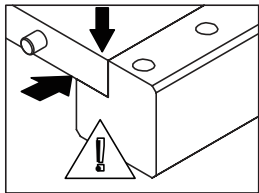
KLAST

www.klathome.com

STEP 2



C x12.



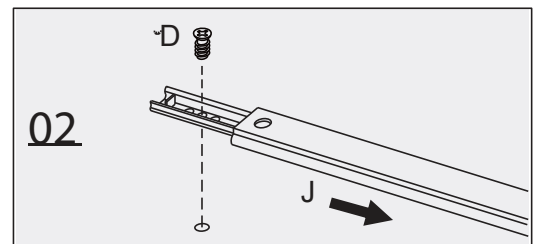
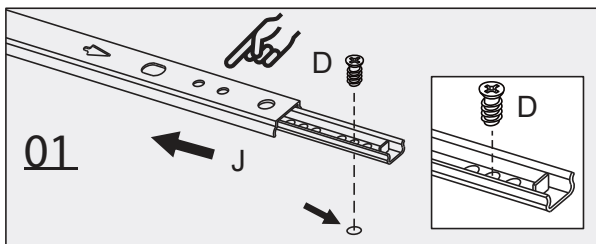
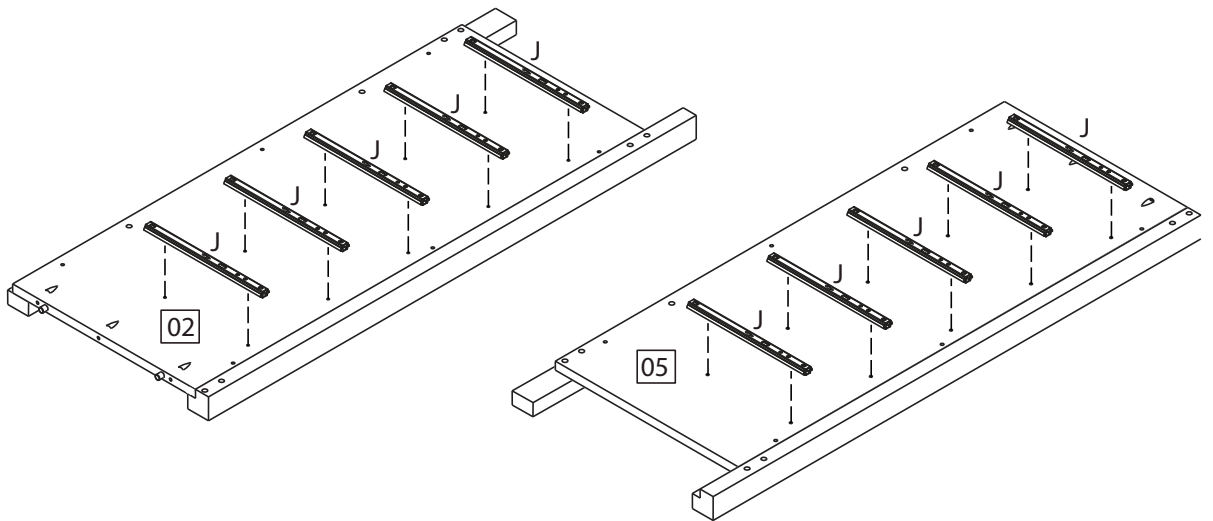
STEP 3



J x10



D x20



OAK

Ref: ET-0002

5/10

-V1.0-

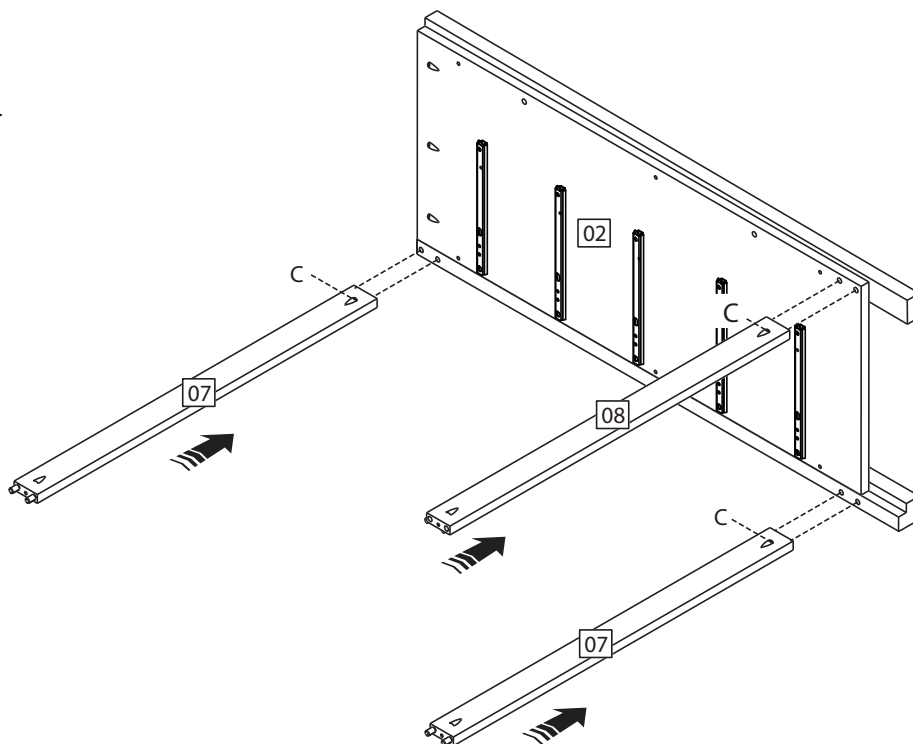
KLAST

www.klasthome.com

STEP 4



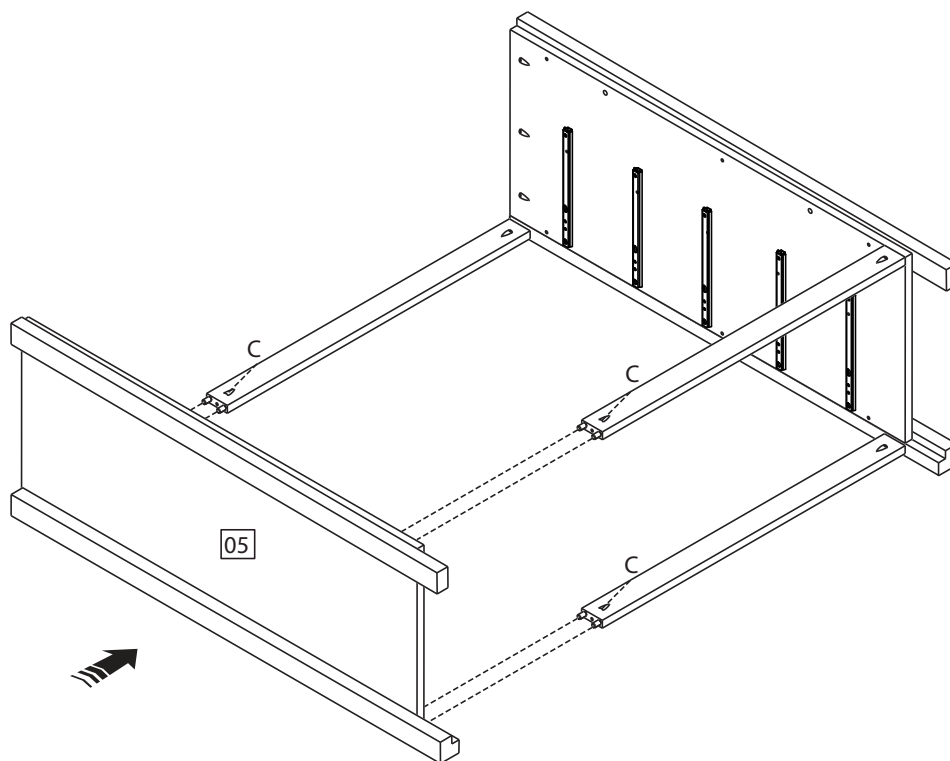
Cx3



STEP 5



Cx3



OAK

Ref: ET-0002

6/10

-V1.0-

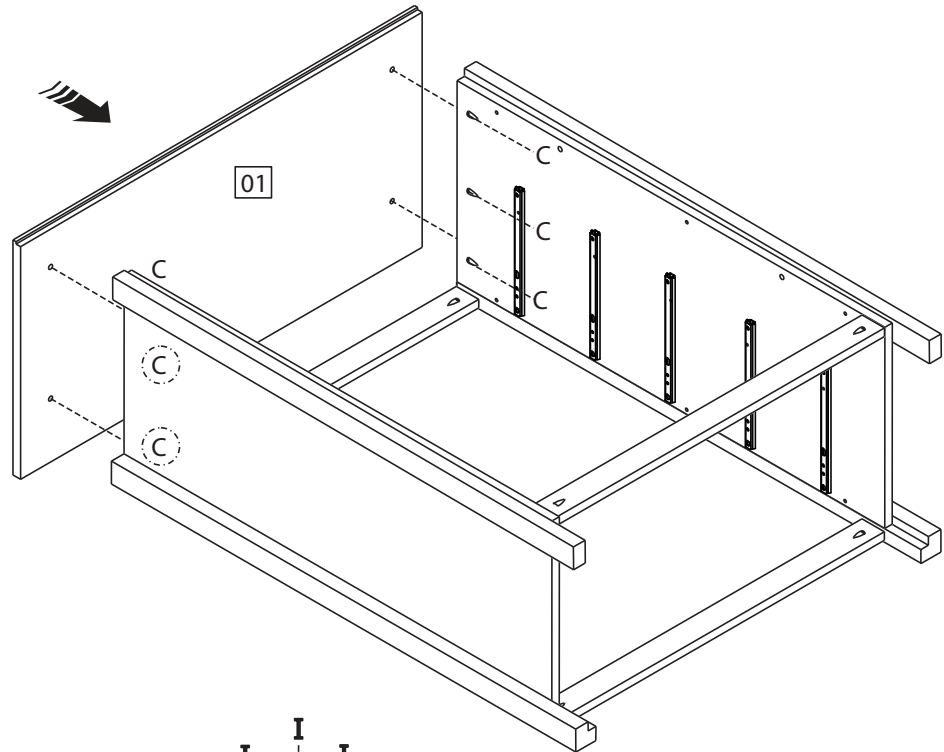
KLAST

www.klasthome.com

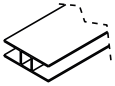
STEP 6



Cx6



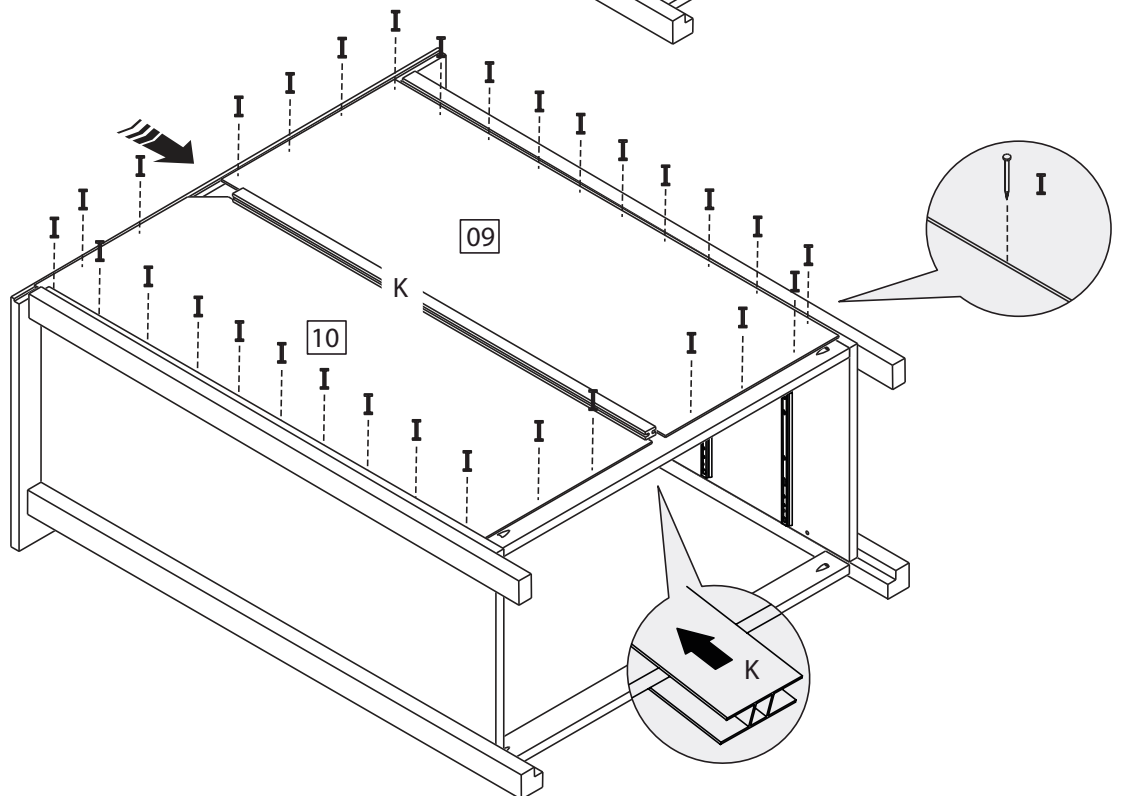
STEP 7



Kx1



Ix30



OAK

Ref: ET-0002

7/10

-V1.0-

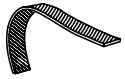
KLAST

www.klasthome.com

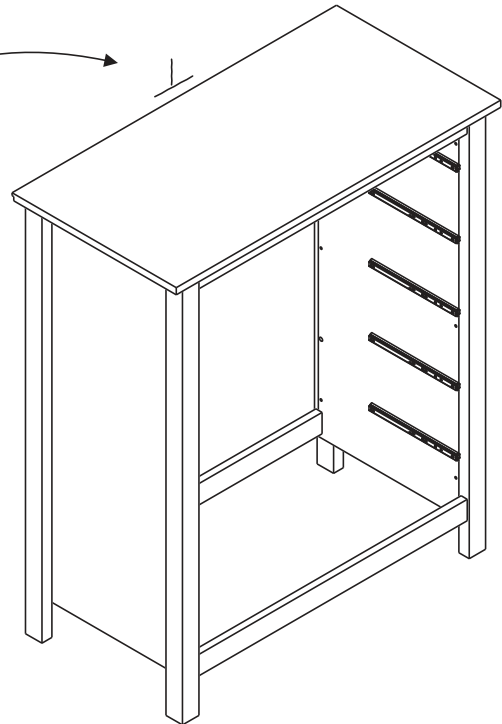
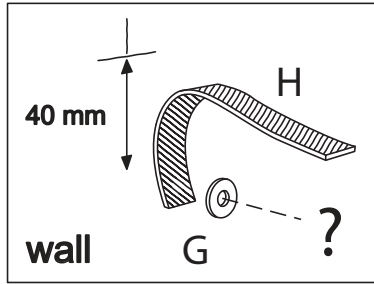
STEP 8



G x1



H x1



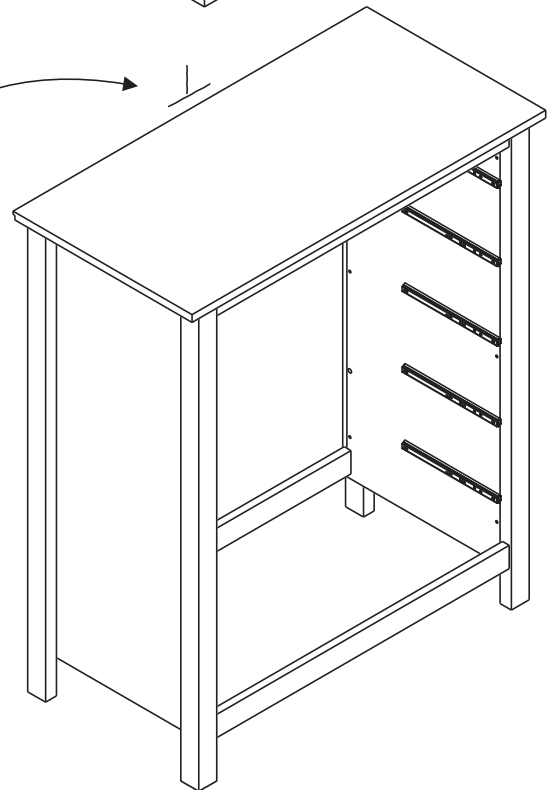
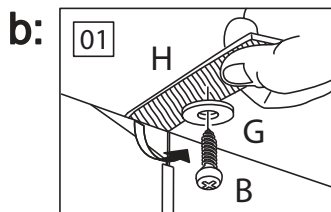
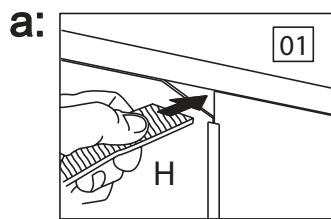
STEP 9



B x1



G x1



OAK

Ref: ET-0002

KLAST

www.klathome.com

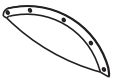
STEP 10



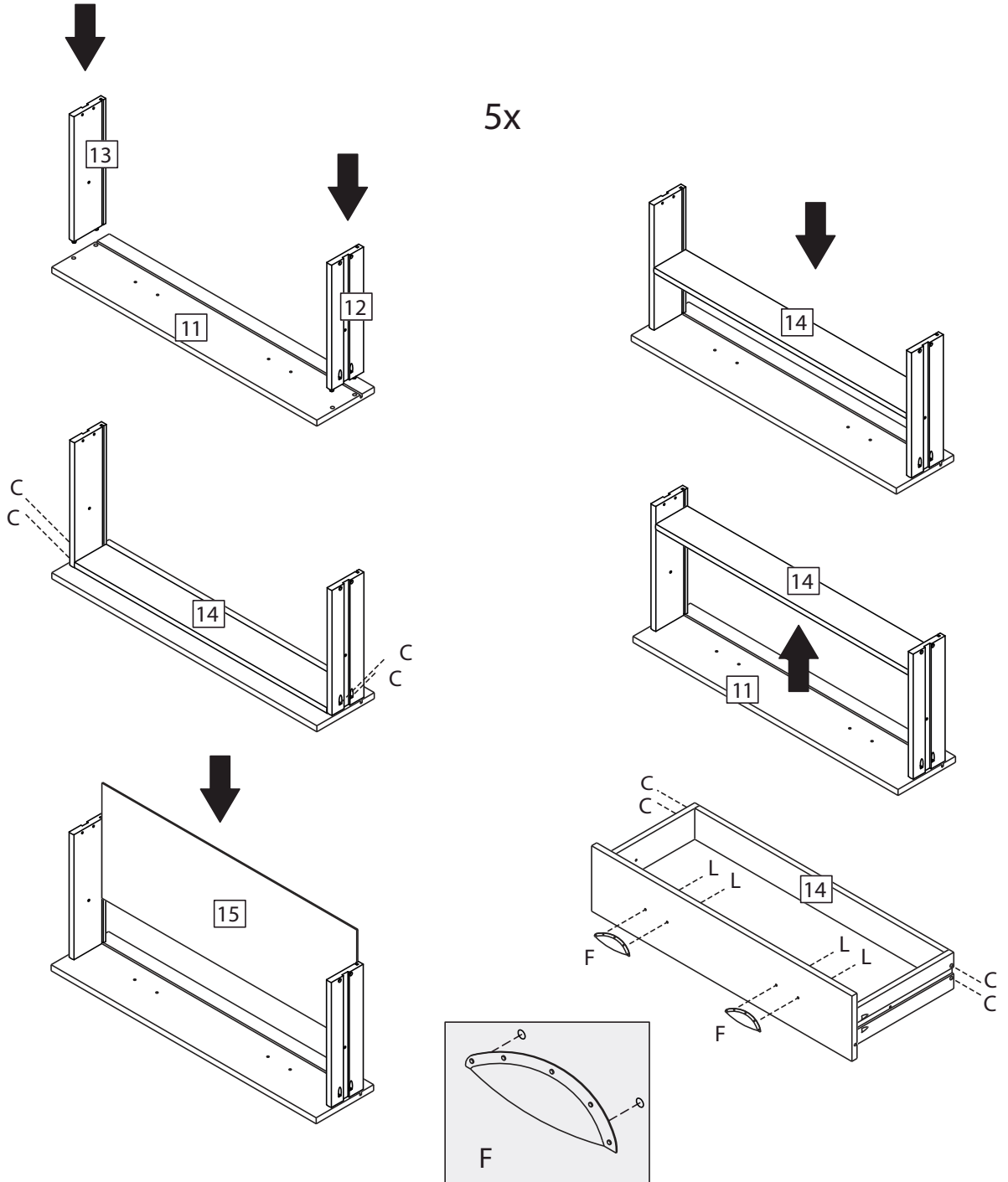
Cx40



Lx20



Fx10



OAK

Ref: ET-0002

9/10

-V1.0-

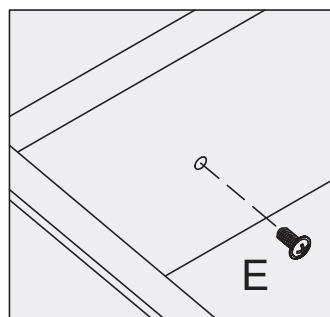
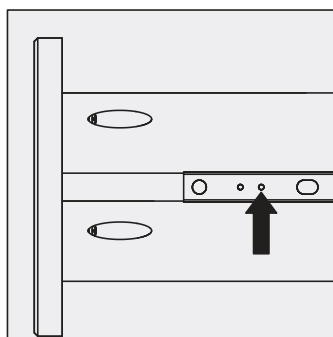
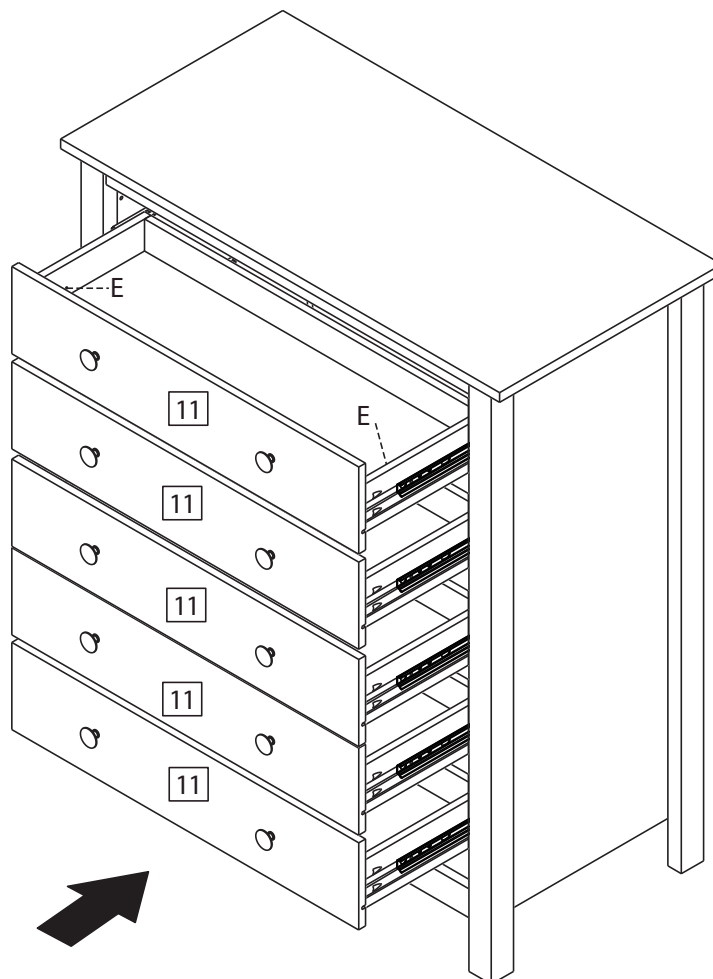
KLAST

www.klasthome.com

STEP 11



E x10



OAK

Ref: ET-0002

10/10

-V1.0-