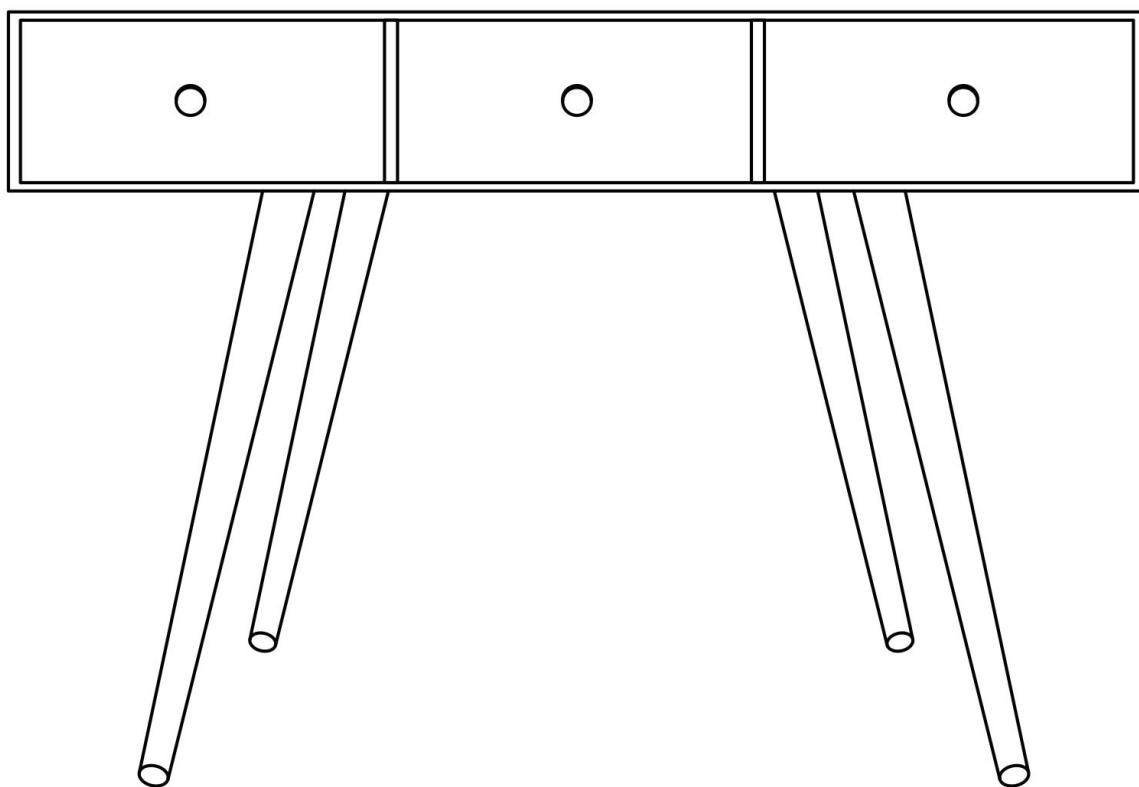


KLAST

www.klasthome.com



BORA

Ref: GN-0016

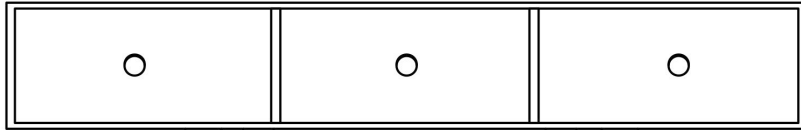
1/3

-V1.0-

KLAST

www.klasthome.com

MATERIAL

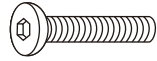


A x 1 PC



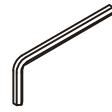
8 x 20 mm

B x 6 PC



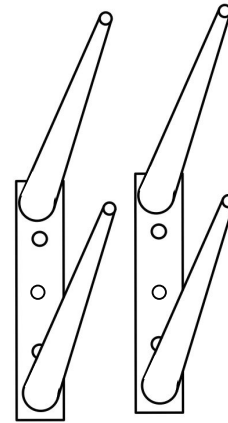
8 x 32 mm

C x 6 PC

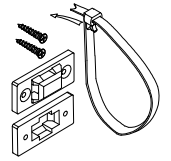


M5

D x 1 PC

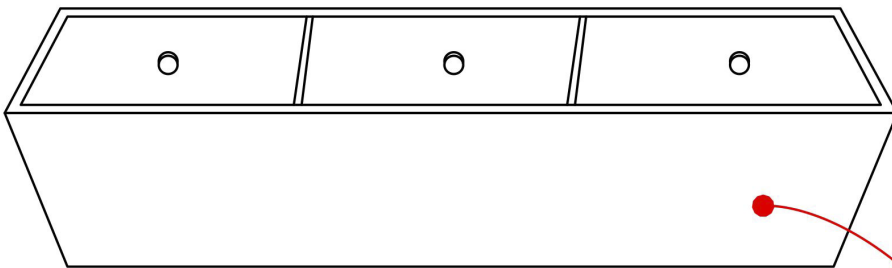


E x 2 PC

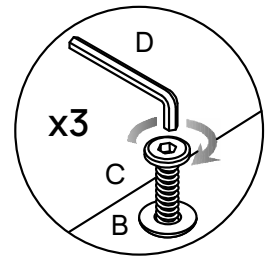
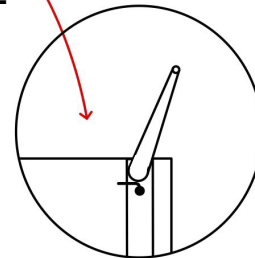


F x 2 PC

STEP 1



x2



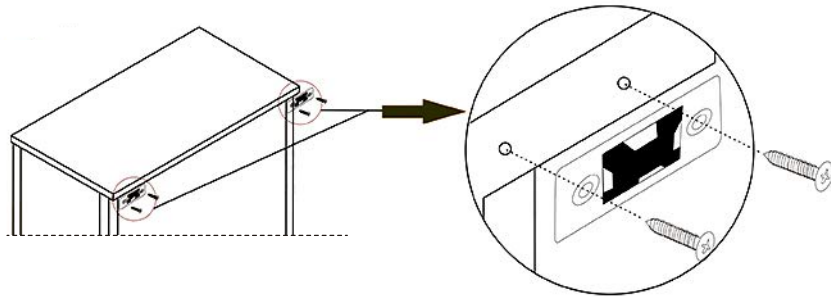
BORA

Ref: GN-0016

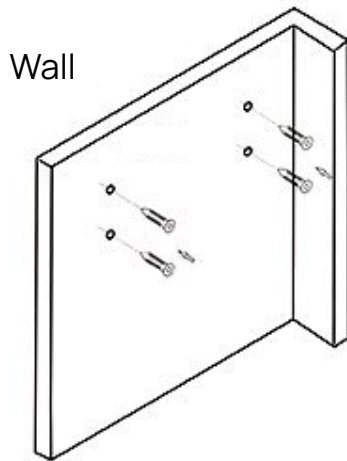
KLAST

www.klathome.com

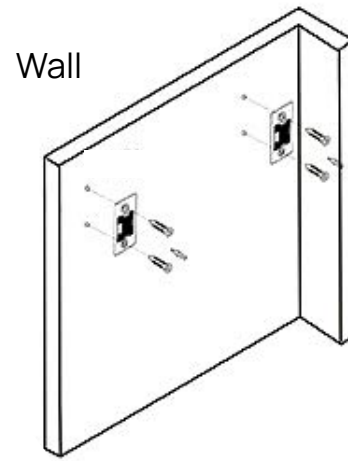
STEP 2



STEP 3



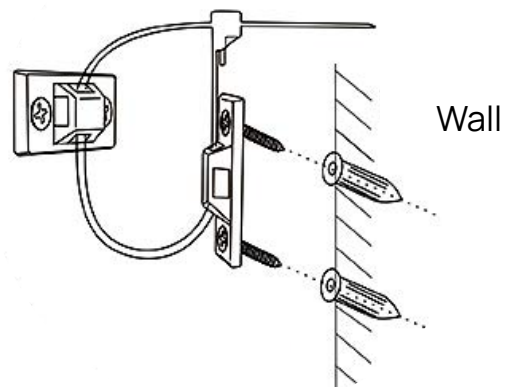
STEP 4



STEP 5

OBLIGATORY FIX ON THE WALL

The needed hardware for the junction wall/furniture depends of the nature of the wall and is not provide.



BORA

Ref: GN-0016