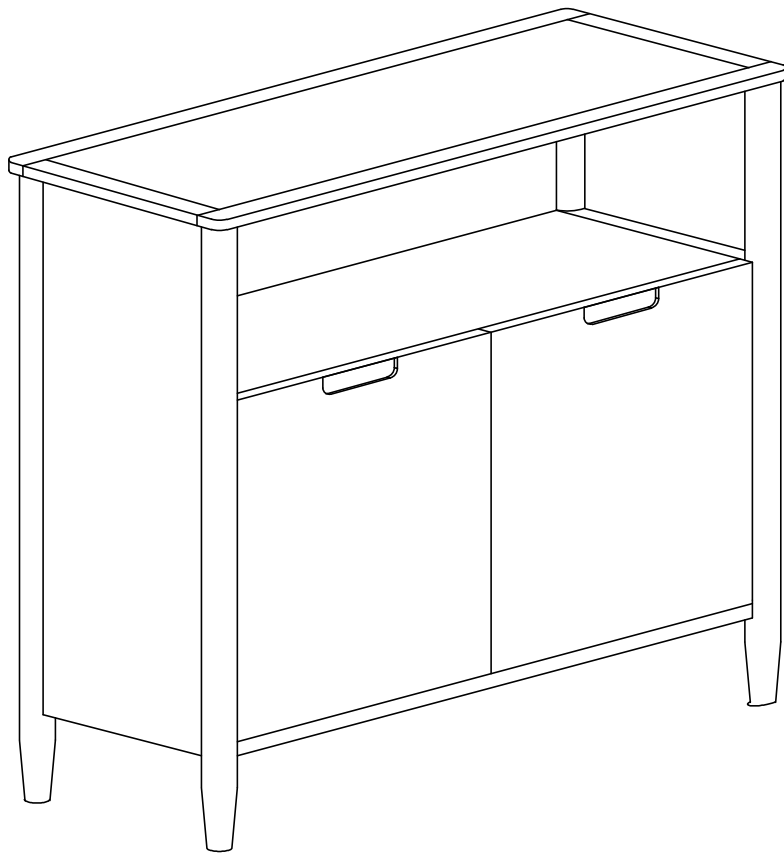


# KLAST

[www.klasthome.com](http://www.klasthome.com)



## KENAN

Ref: SD-0108

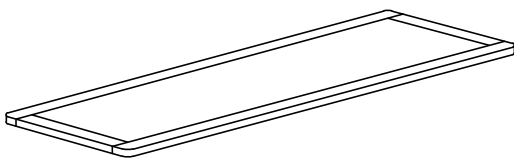
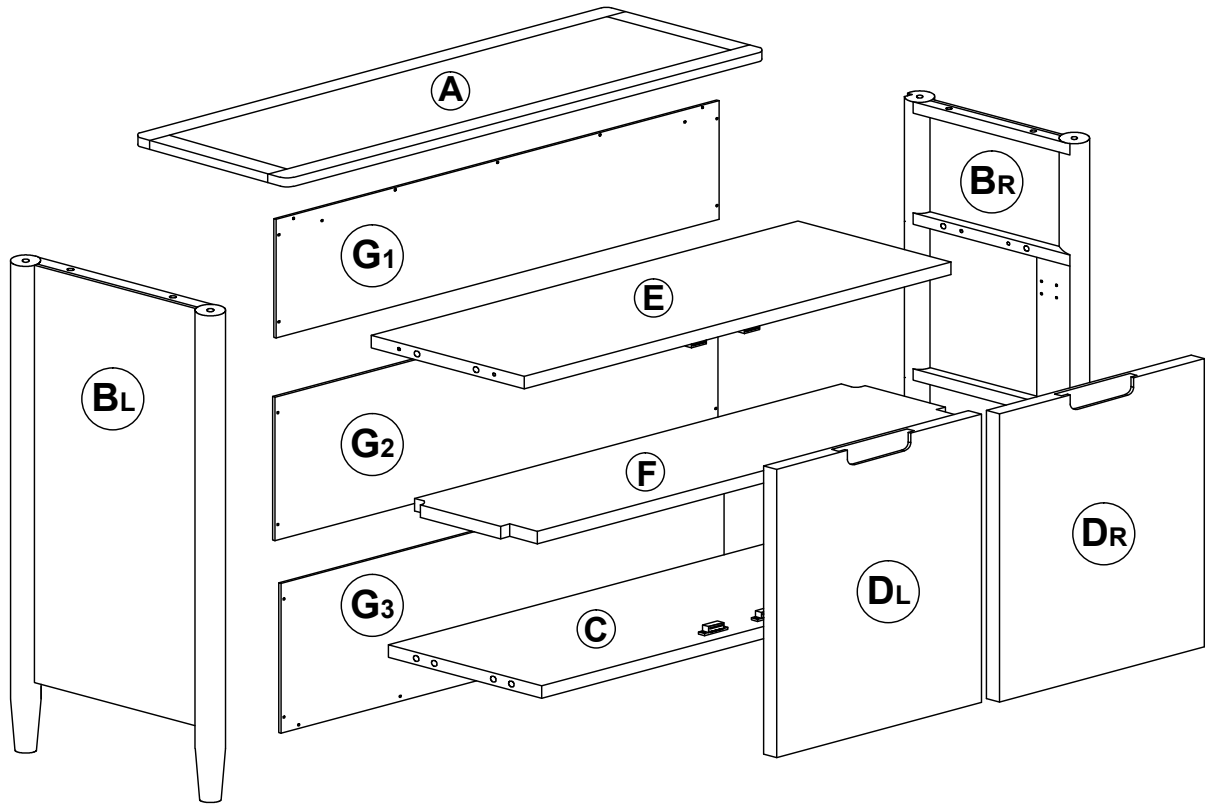
1/11

-V1.0-

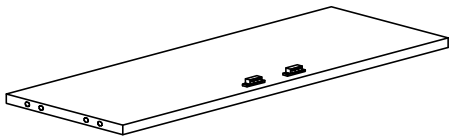
# KLAST

www.klasthome.com

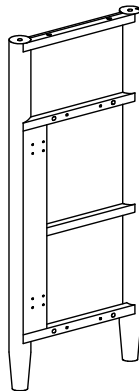
## MATERIAL



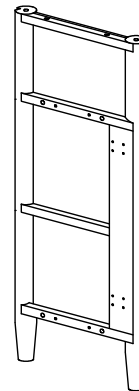
A x1 PC



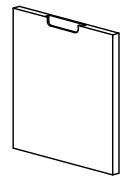
C x1 PC



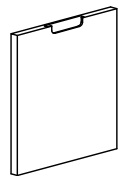
BL x1 PC



BR x1 PC



DL x1 PC



DR x1 PC

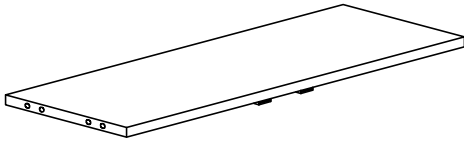
## KENAN

Ref: SD-0108

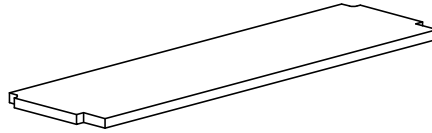
# KLAST

www.klasthome.com

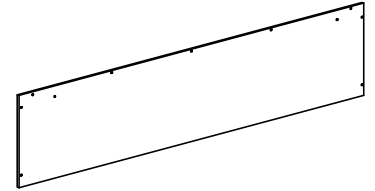
## MATERIAL



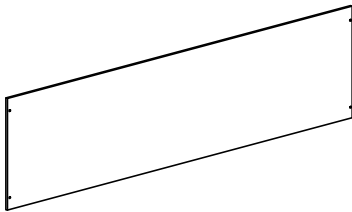
E x1 PC



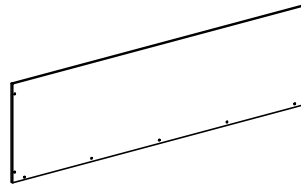
F x1 PC



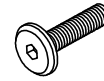
G1 x1 PC



G2 x1 PC

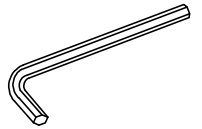


G3 x1 PC

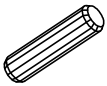


M6x25

1 x4 PC

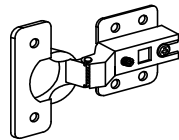


2 x1 PC



Ø8x30

3 x12 PC



Ø26

4 x4 PC



M4x15

5 x24 PC



M3.5x15

6 x35 PC



Ø7



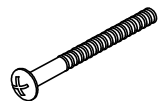
Ø15

7 x8 PC



Ø4/Ø8

8 x6 PC



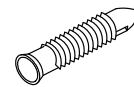
M4x50

9 x2 PC



Ø10x10

10 x4 PC



M6

11 x2 PC

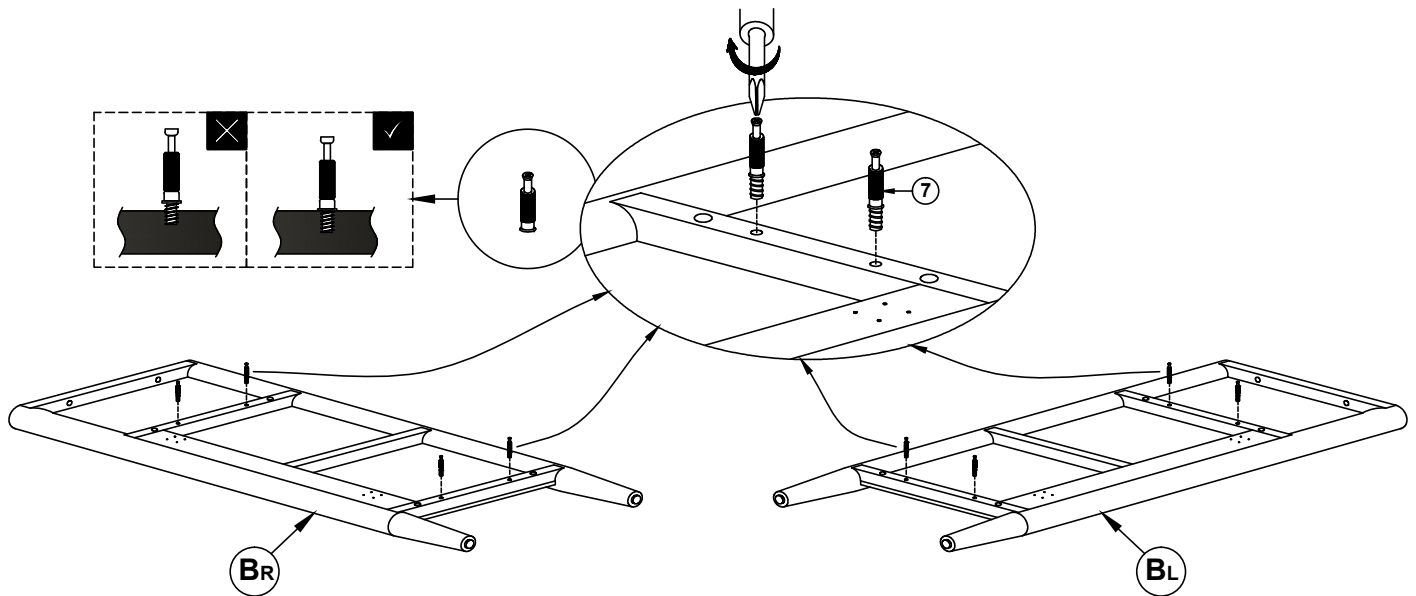
## KENAN

Ref: SD-0108

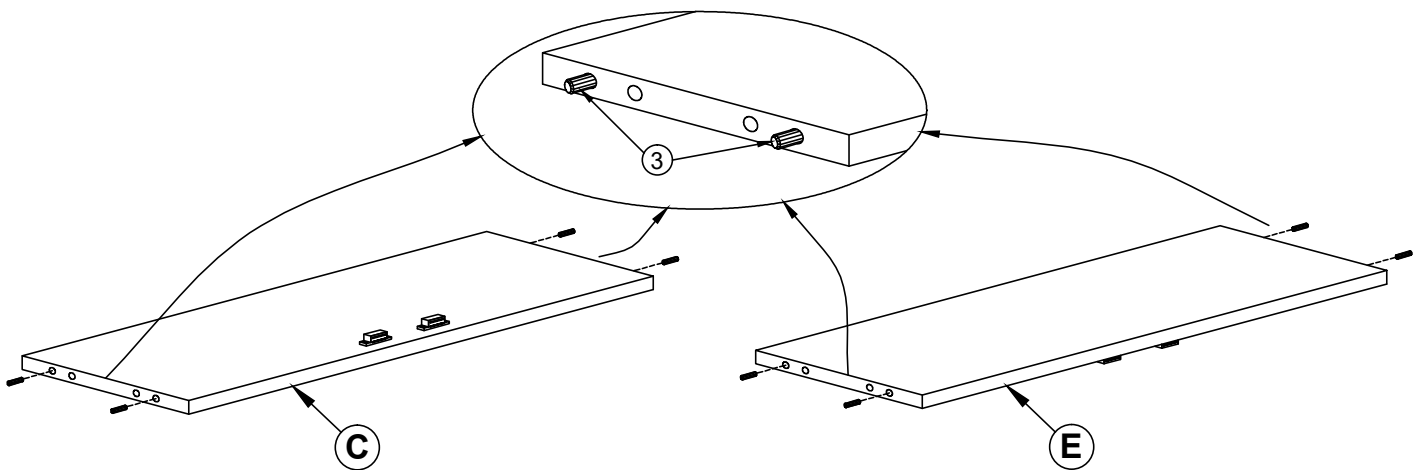
# KLAST

www.klasthome.com

## STEP 1



## STEP 2



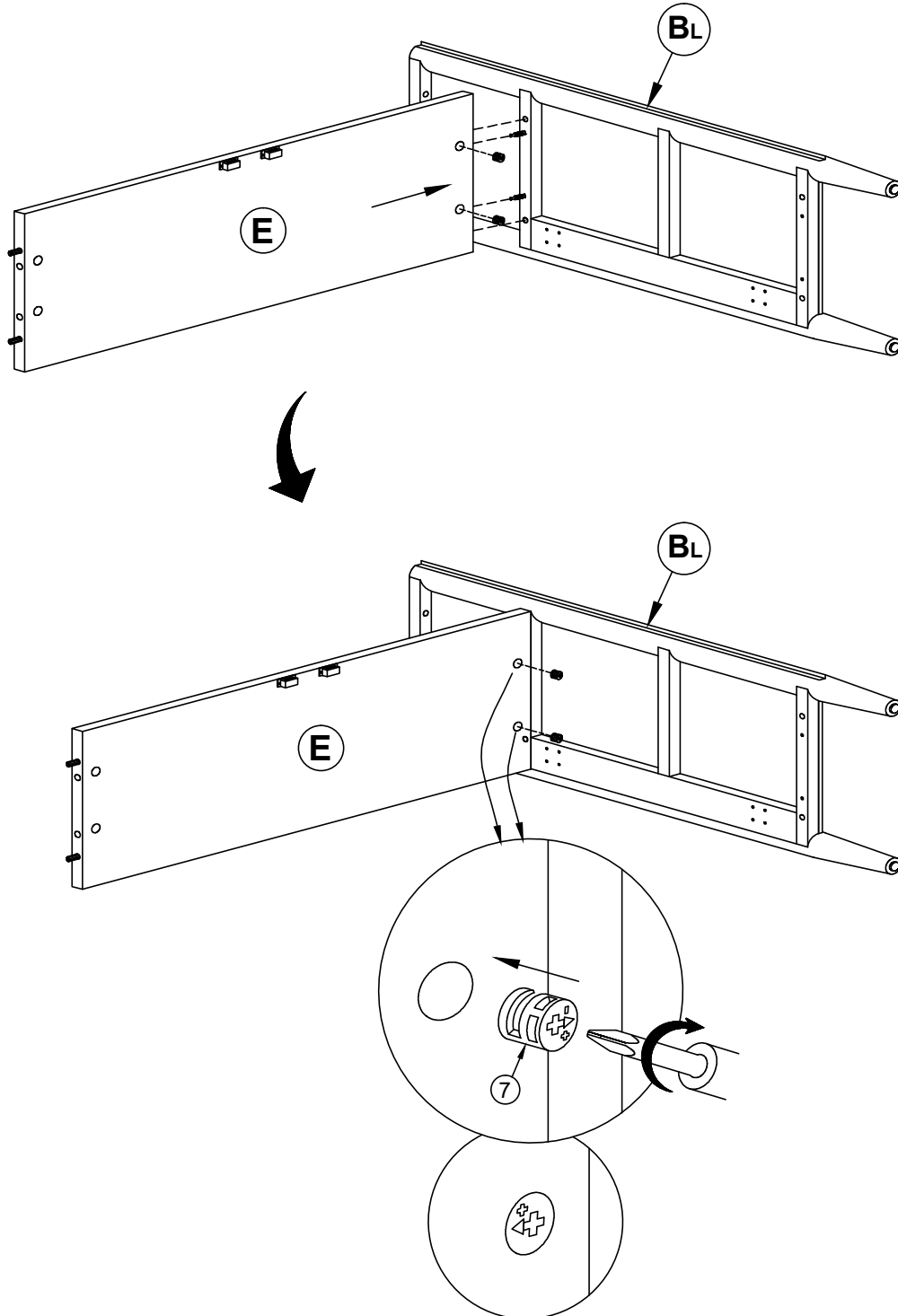
# KENAN

Ref: SD-0108

# KLAST

www.klasthome.com

## STEP 3



# KENAN

Ref: SD-0108

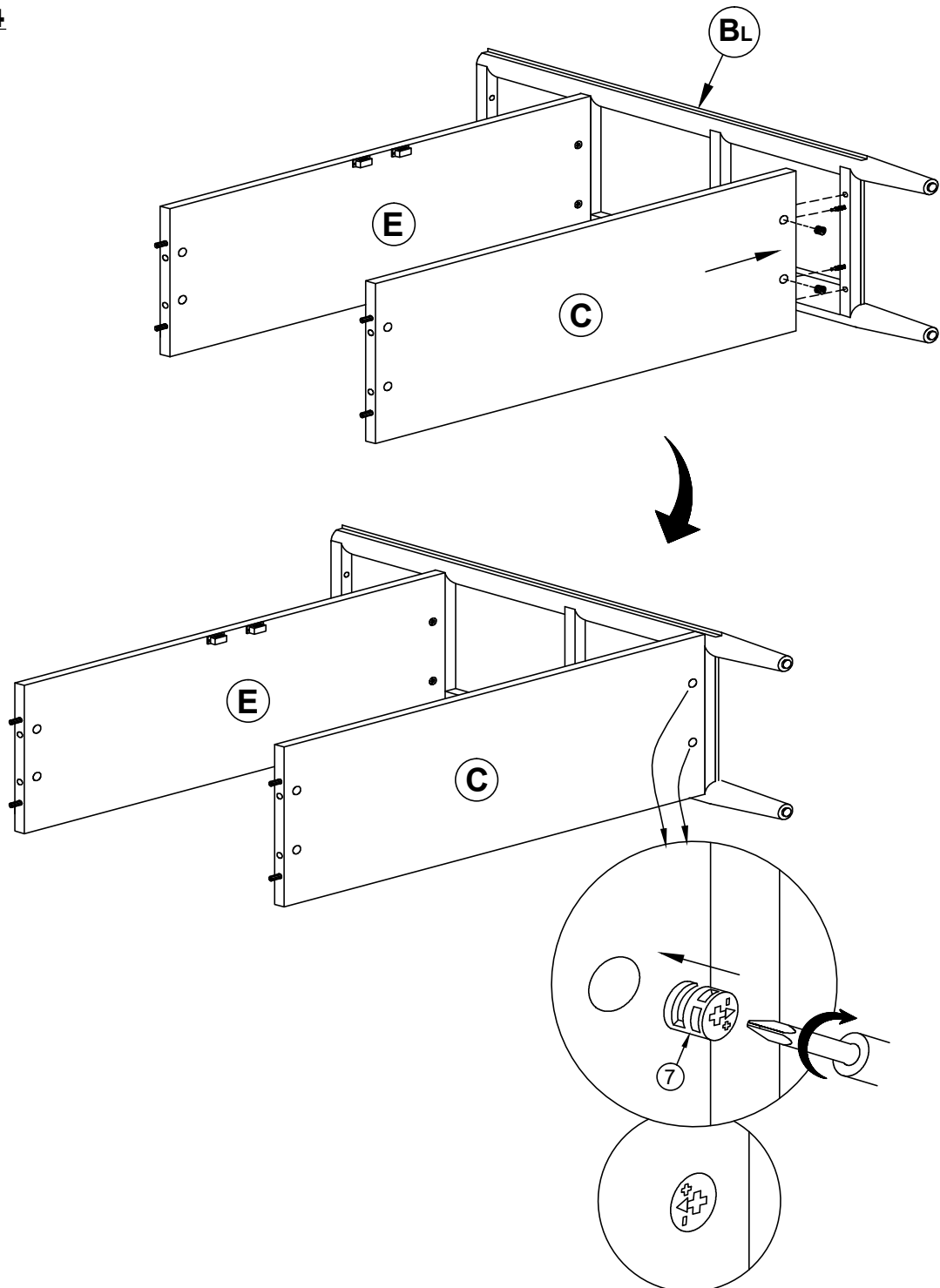
5/11

-V1.0-

# KLAST

www.klasthome.com

## STEP 4



# KENAN

Ref: SD-0108

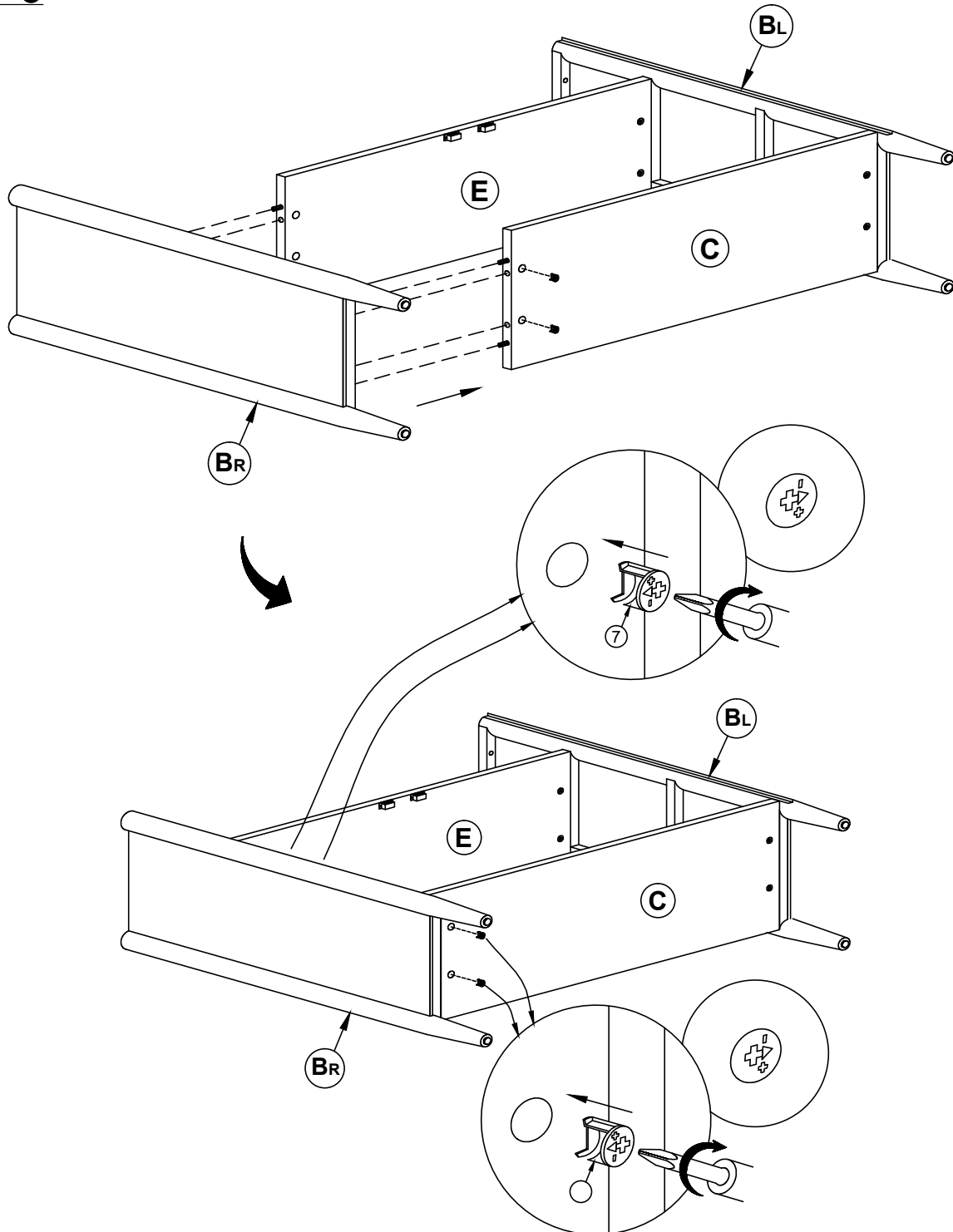
6/11

-V1.0-

# KLAST

www.klasthome.com

## STEP 5



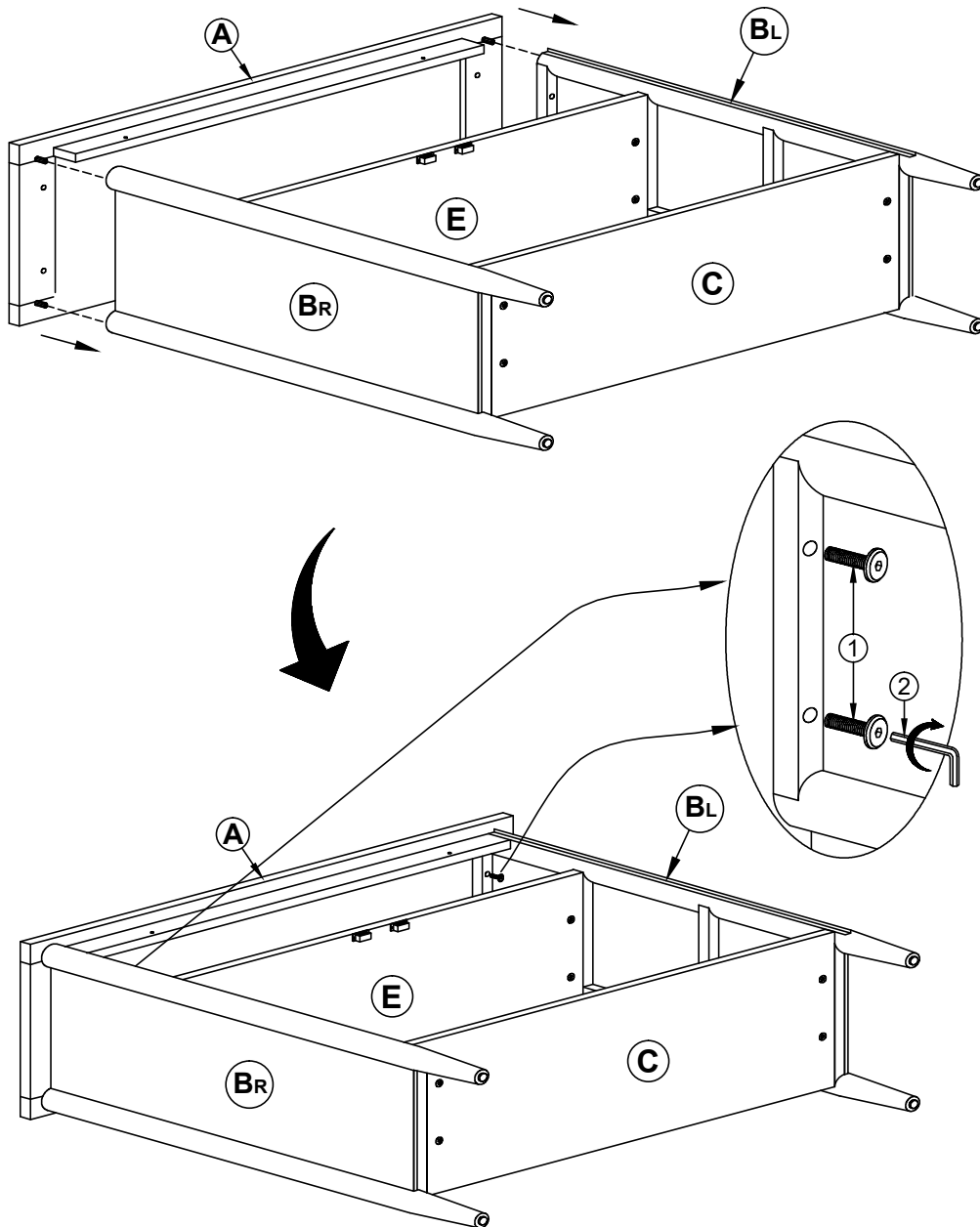
# KENAN

Ref: SD-0108

# KLAST

www.klasthome.com

## STEP 6



# KENAN

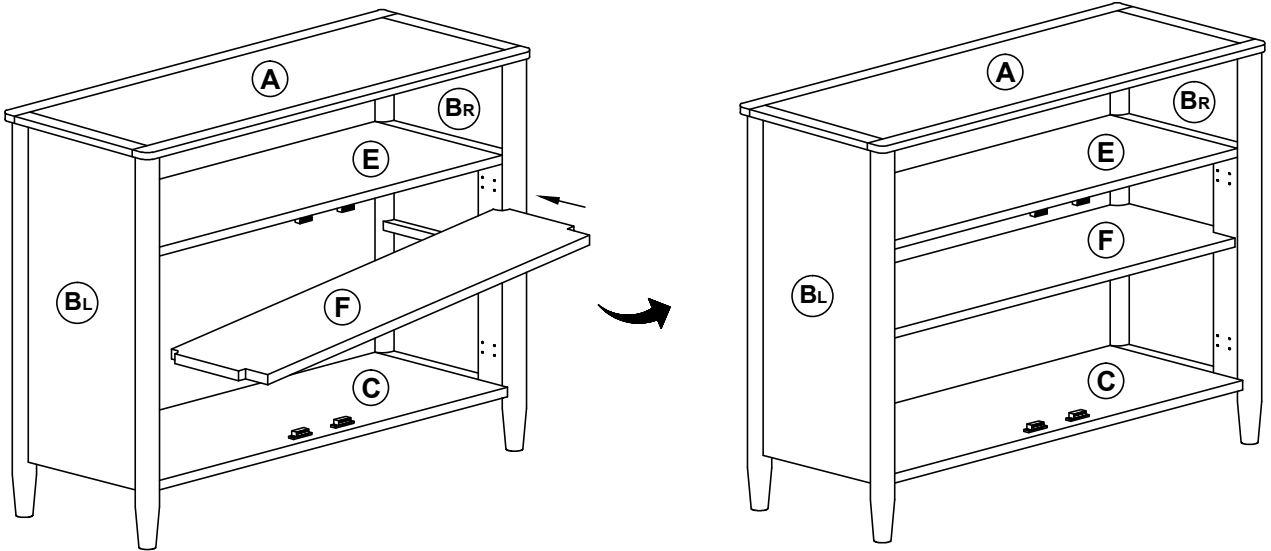
Ref: SD-0108



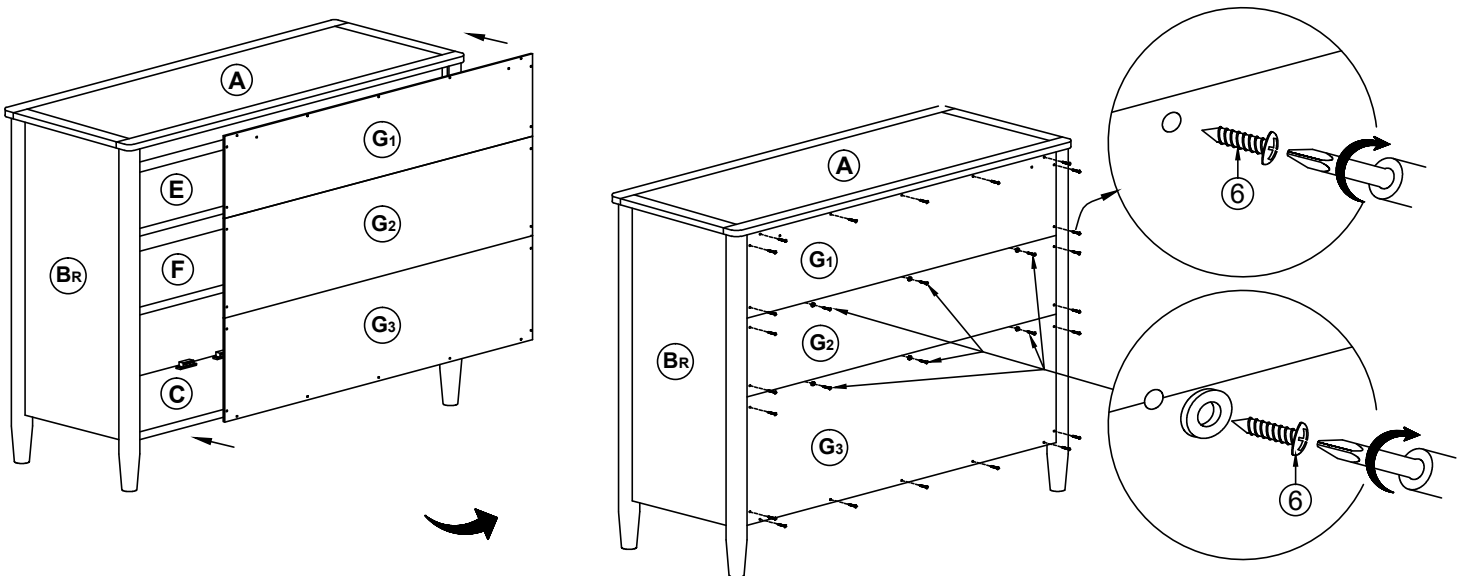
# KLAST

www.klathome.com

## STEP 7



## STEP 8



# KENAN

Ref: SD-0108

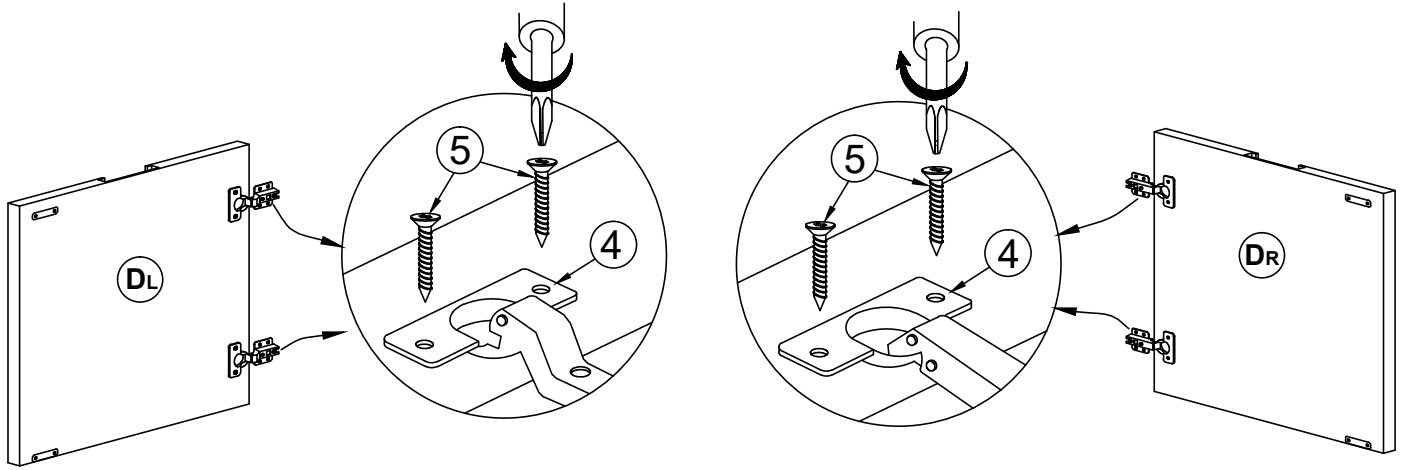
9/11

-V1.0-

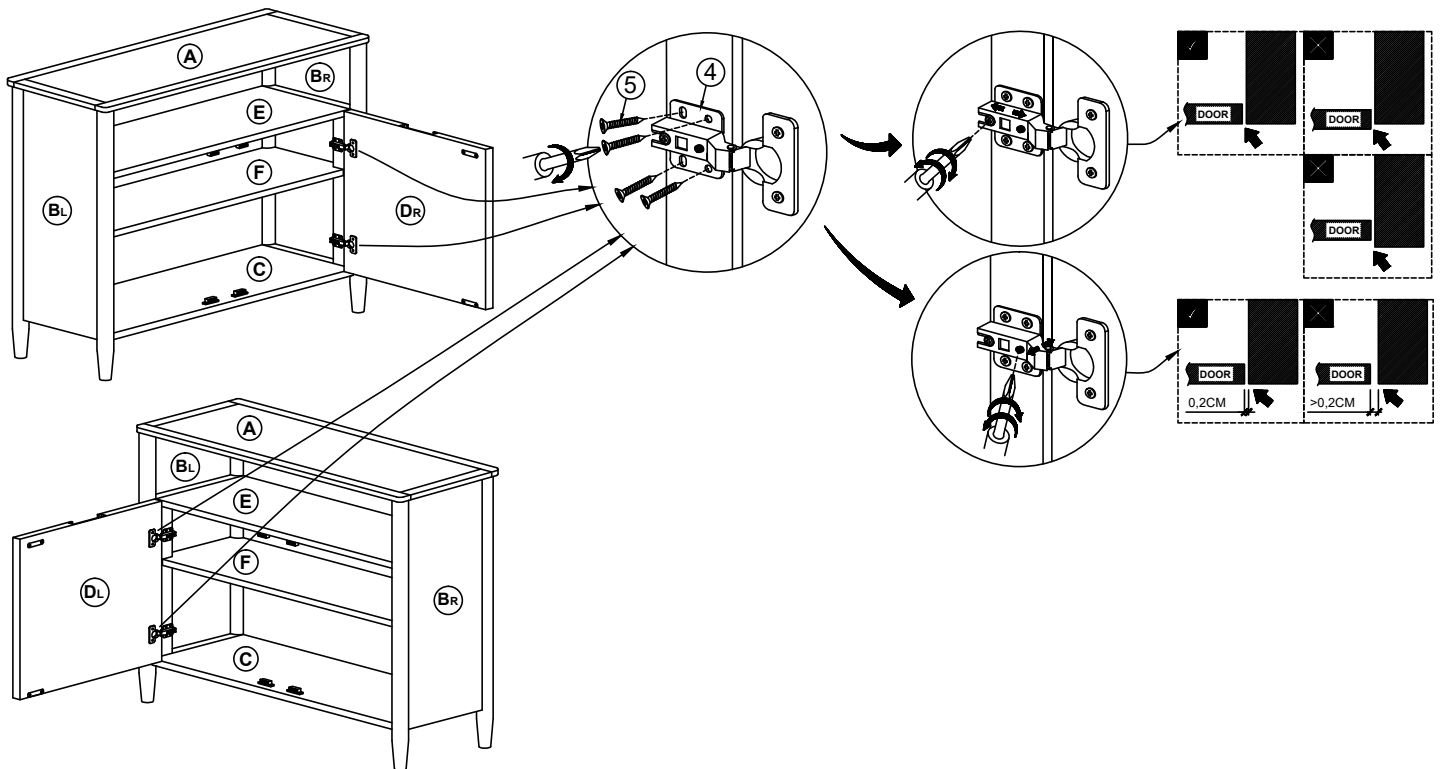
# KLAST

www.klathome.com

## STEP 9



## STEP 10



# KENAN

Ref: SD-0108

10/11

-V1.0-

# KLAST

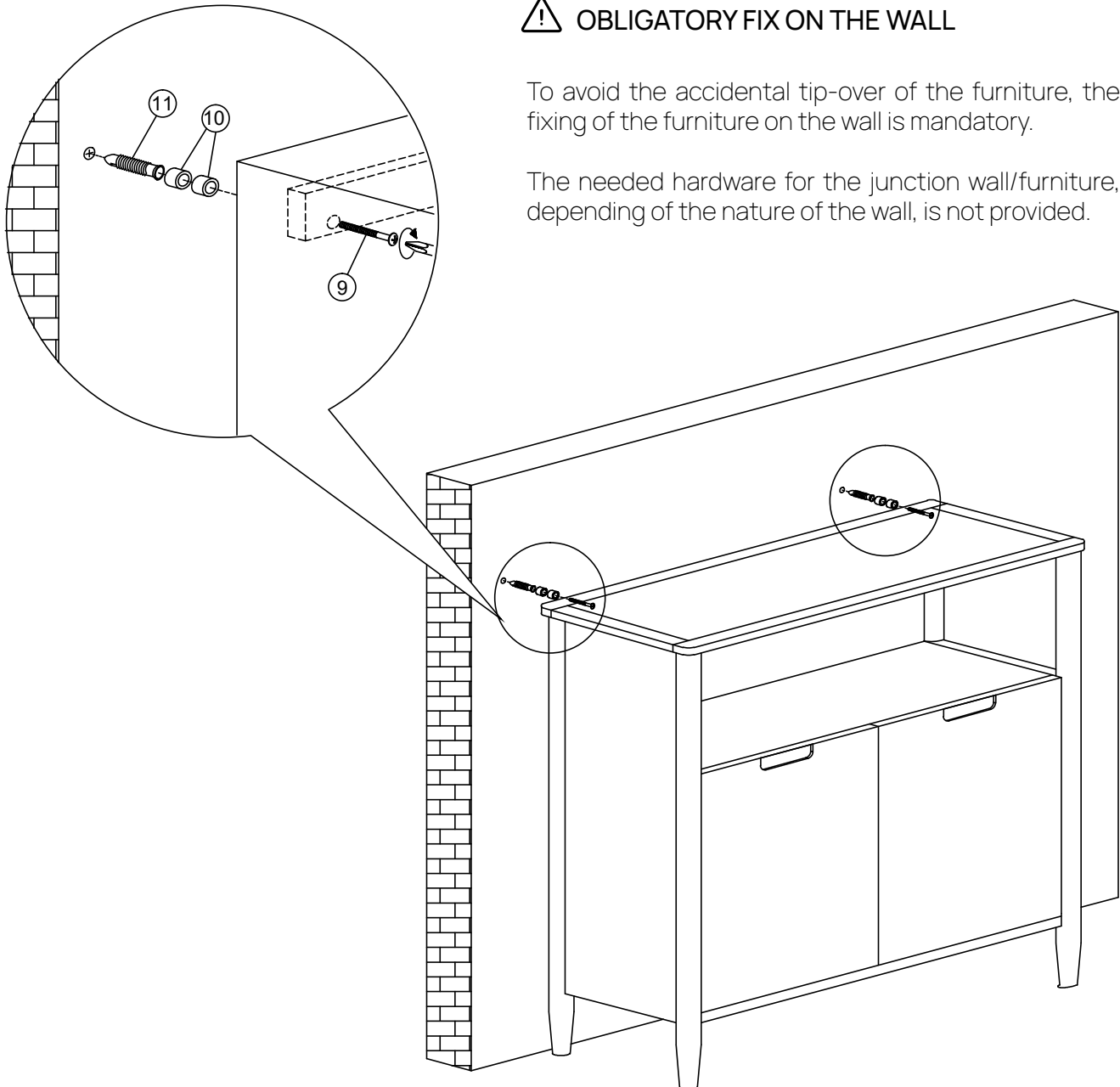
www.klasthome.com

## STEP 11

### ⚠ OBLIGATORY FIX ON THE WALL

To avoid the accidental tip-over of the furniture, the fixing of the furniture on the wall is mandatory.

The needed hardware for the junction wall/furniture, depending of the nature of the wall, is not provided.



## KENAN

Ref: SD-0108