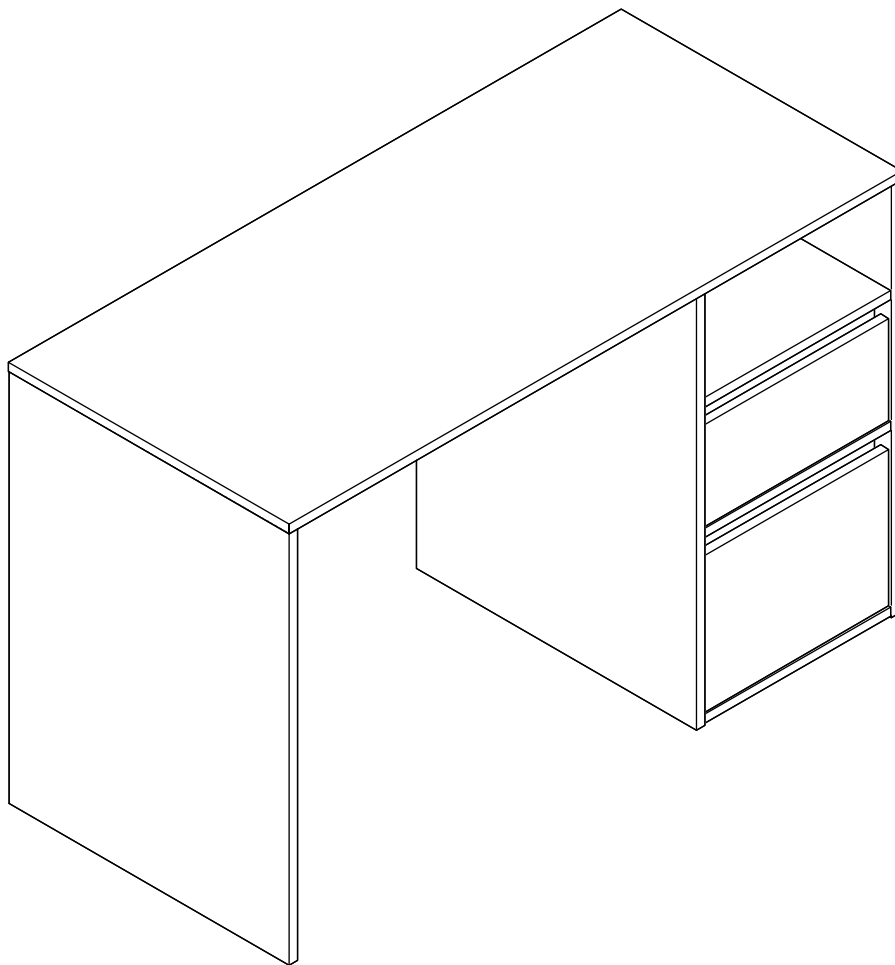


KLAST

www.klasthome.com



KAMILA

Ref: SC-0041

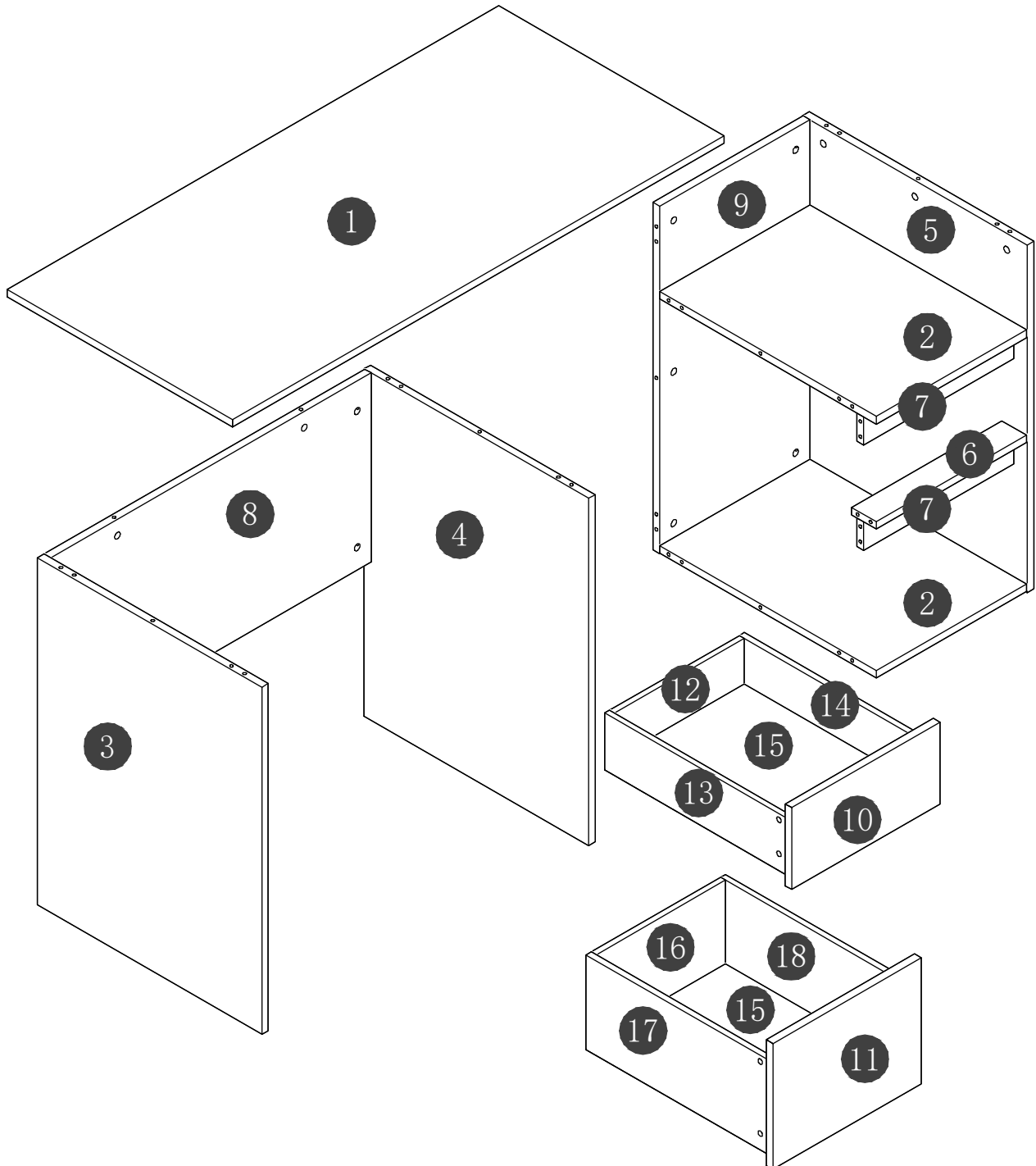
1/11

-V1.0-

KLAST

www.klathome.com

MATERIAL



KAMILA

Ref: SC-0041

2/11

-V1.0-

KLAST

www.klasthome.com

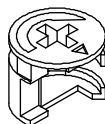
MATERIAL



M6x40 mm
A x39 PC



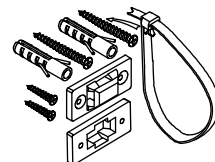
Ø8x30 mm
B x28 PC



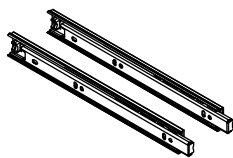
Ø15x12 mm
C x39 PC



Ø21 mm
D x55 PC



F x1 PC



350 mm
N x2 PC



M3.5x12 mm
V1 x16 PC



M6x34 mm
O x16 PC



Ø12x10.5 mm
P x16 PC

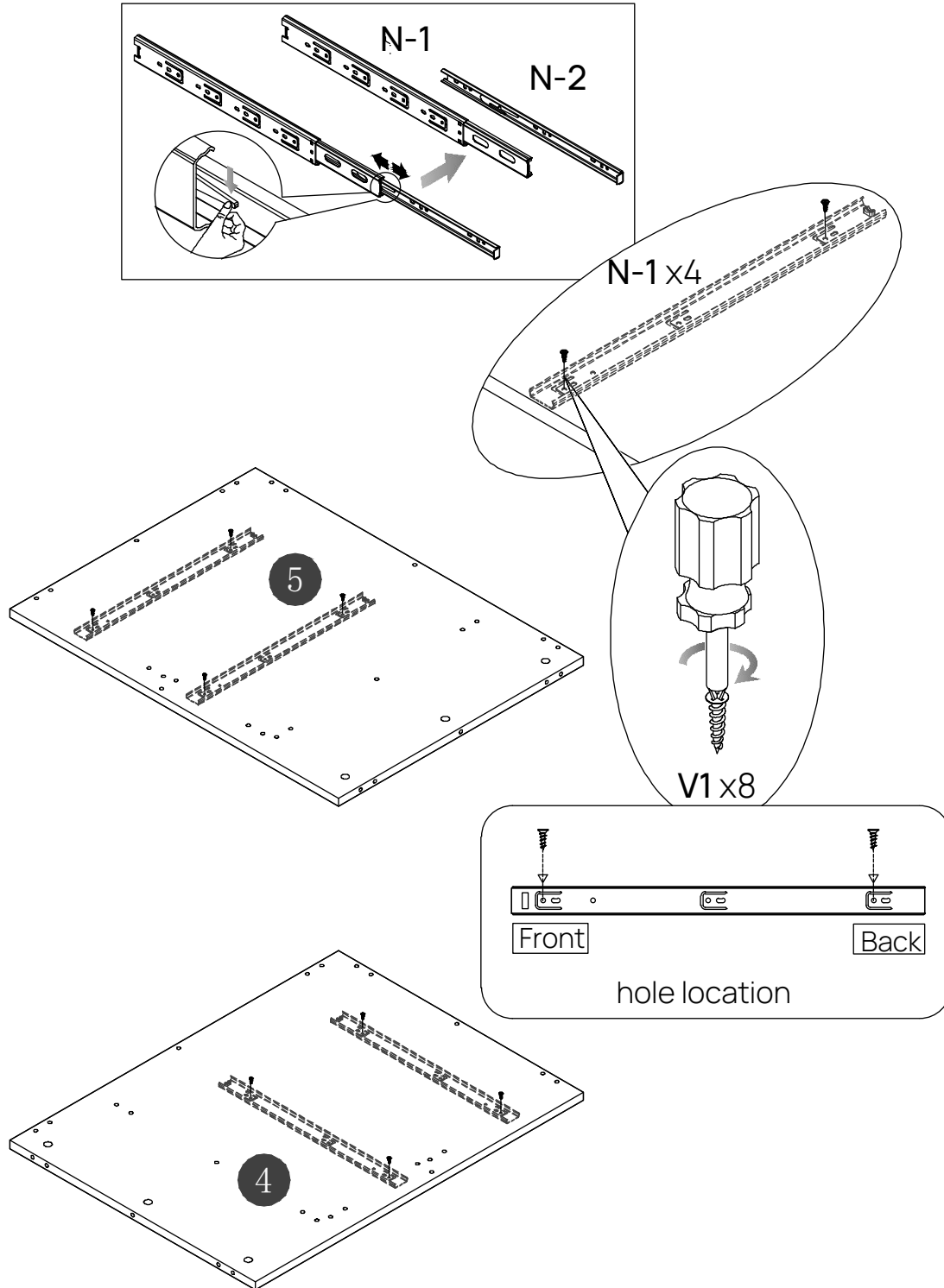
KAMILA

Ref: SC-0041

KLAST

www.klasthome.com

STEP 1



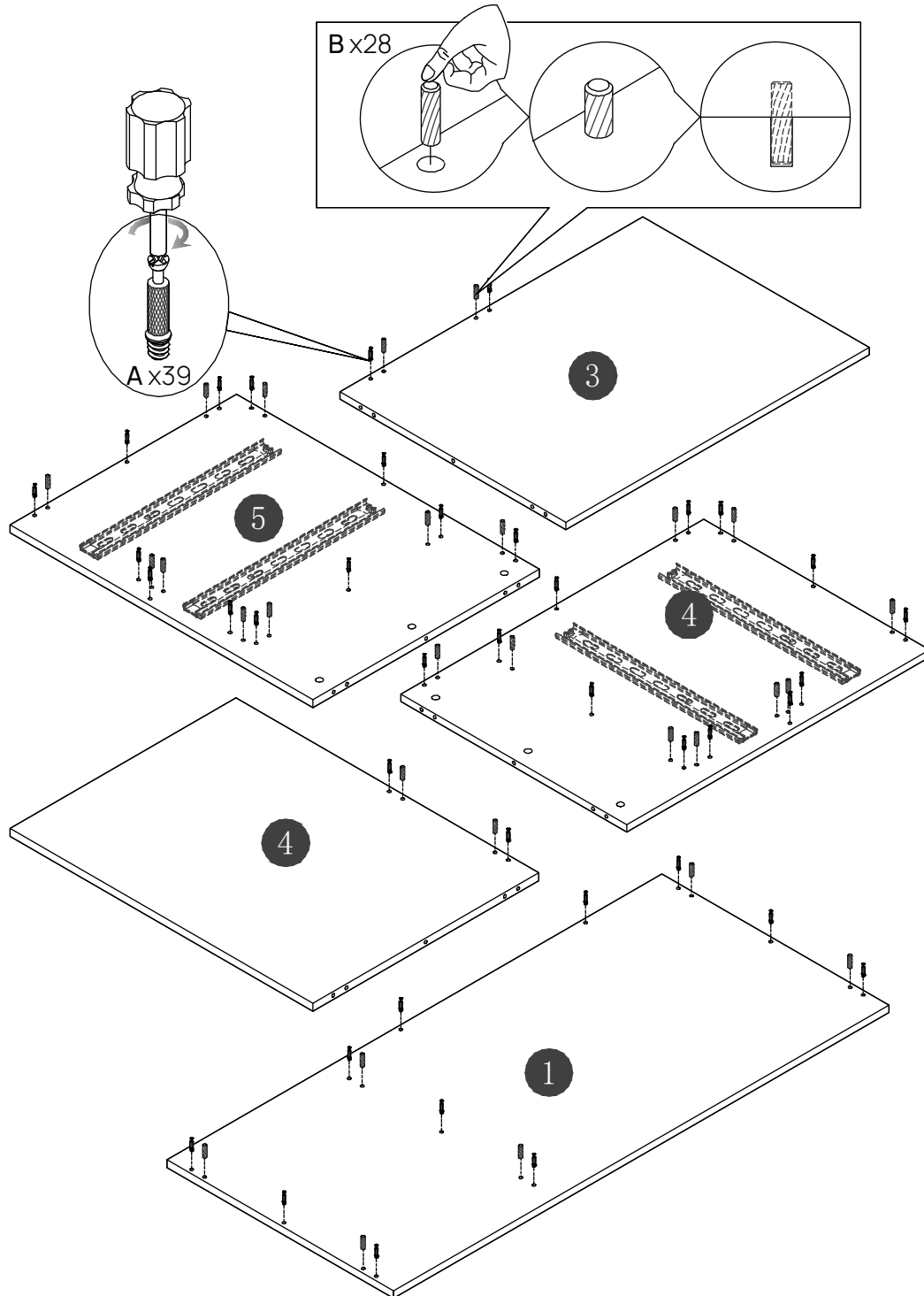
KAMILA

Ref: SC-0041

KLAST

www.klasthome.com

STEP 2



KAMILA

Ref: SC-0041

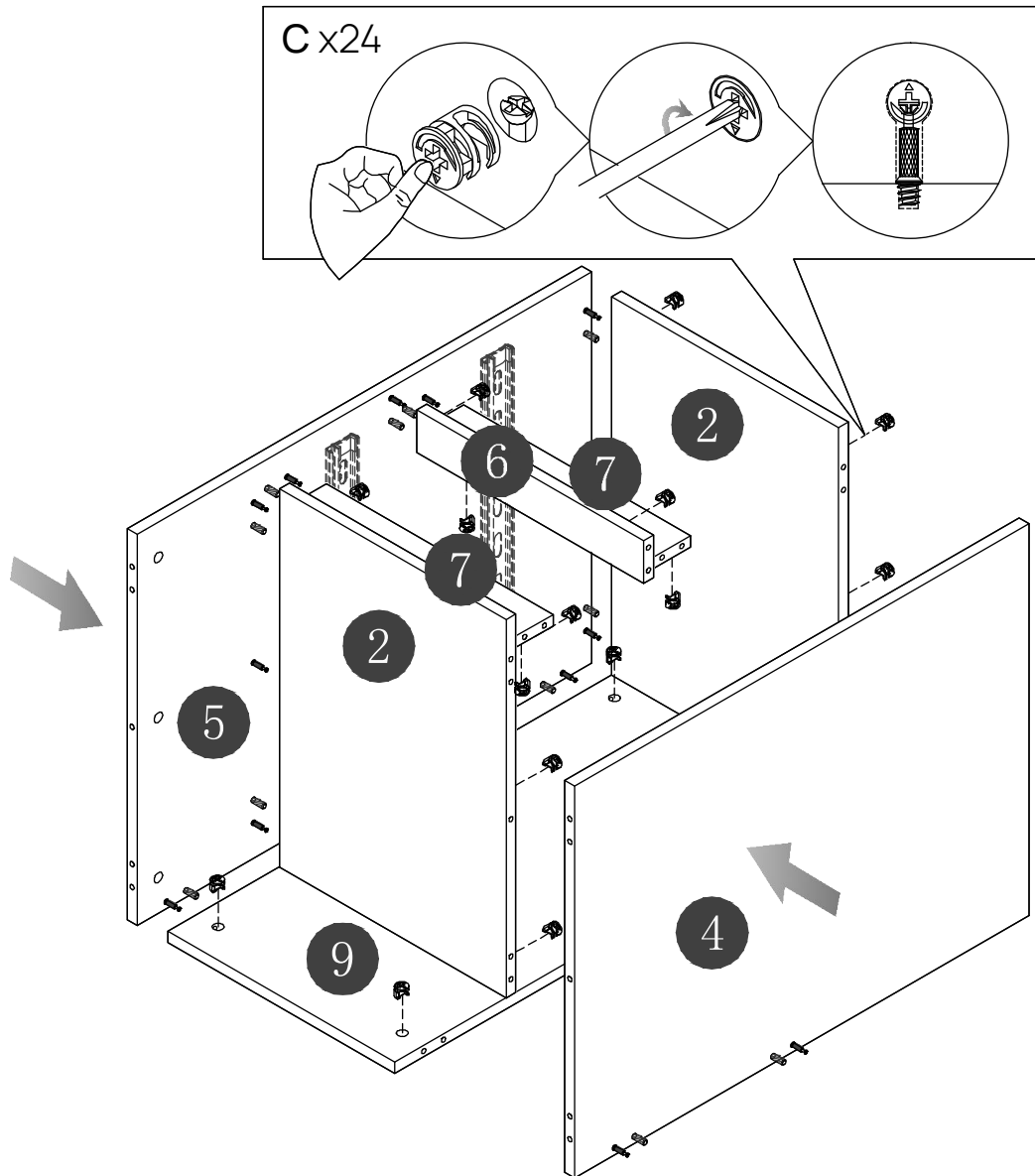
5/11

-V1.0-

KLAST

www.klathome.com

STEP 3



KAMILA

Ref: SC-0041

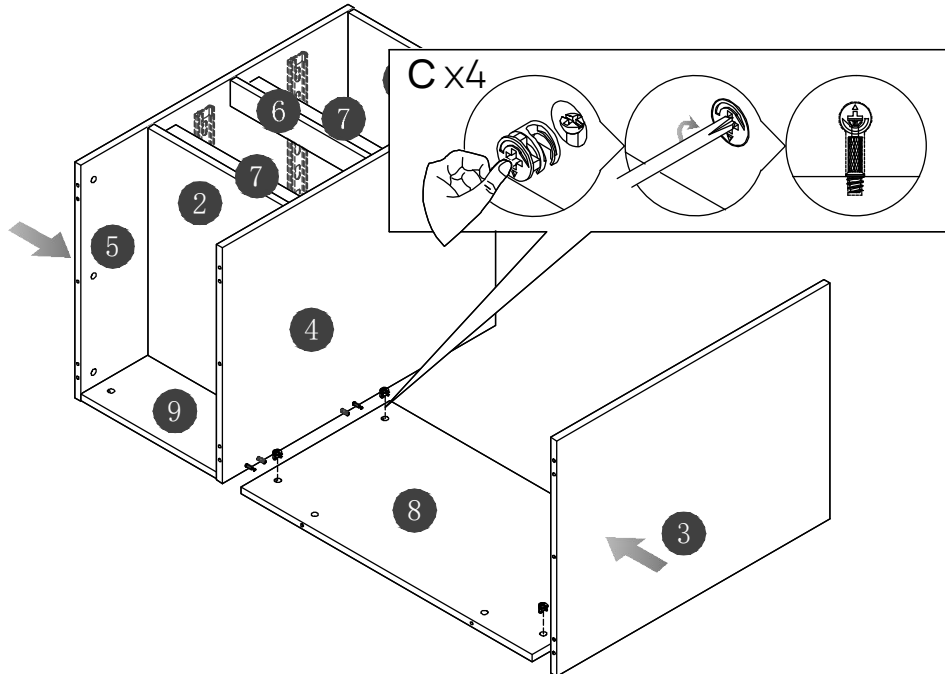
6/11

-V1.0-

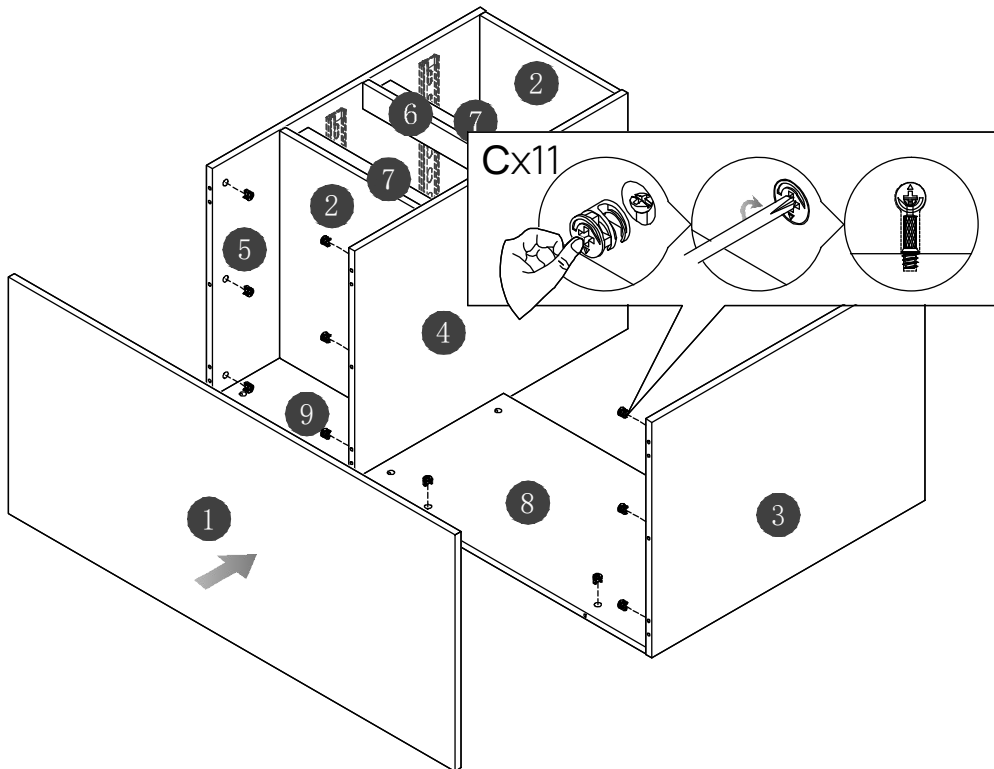
KLAST

www.klasthome.com

STEP 4



STEP 5



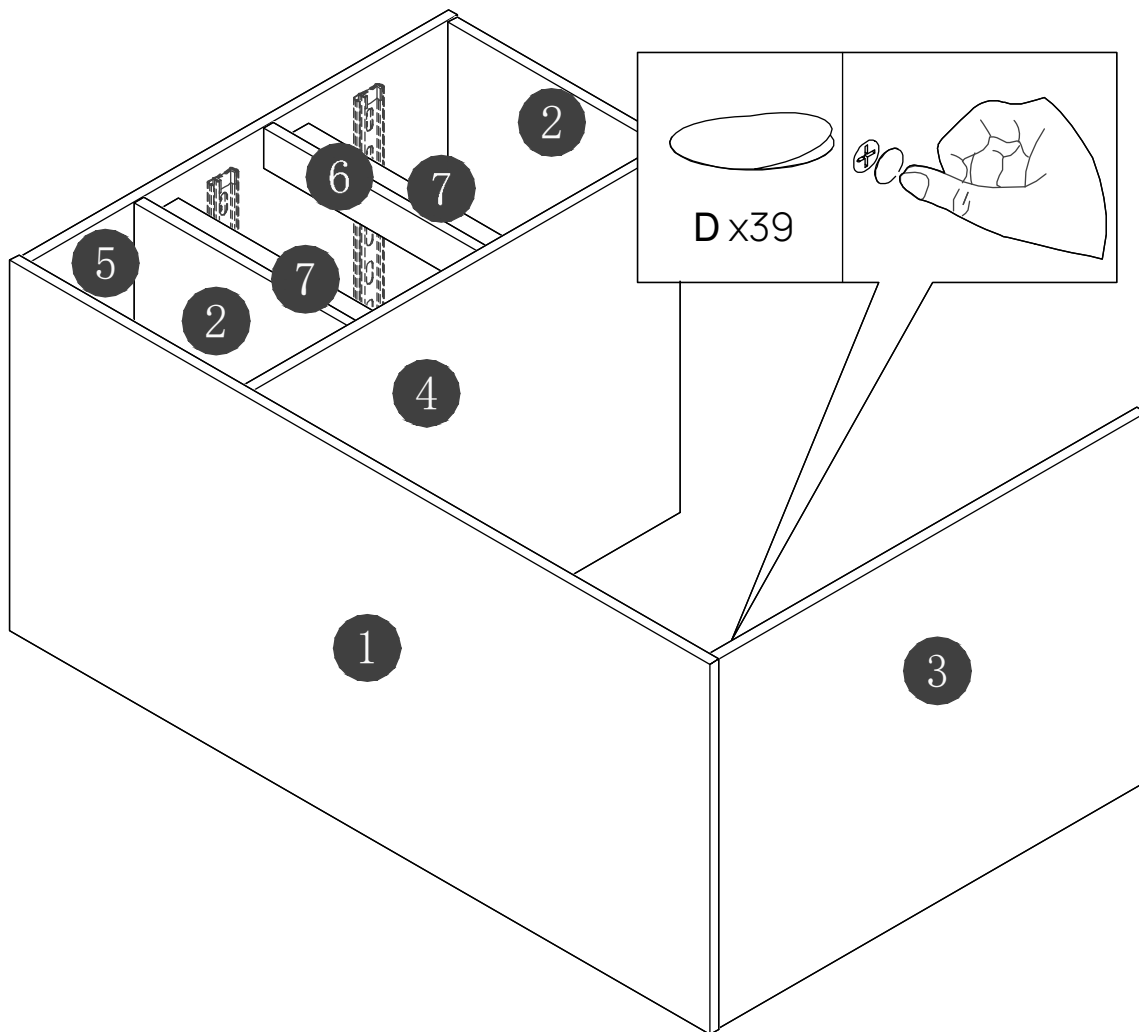
KAMILA

Ref: SC-0041

KLAST

www.klasthome.com

STEP 6



KAMILA

Ref: SC-0041

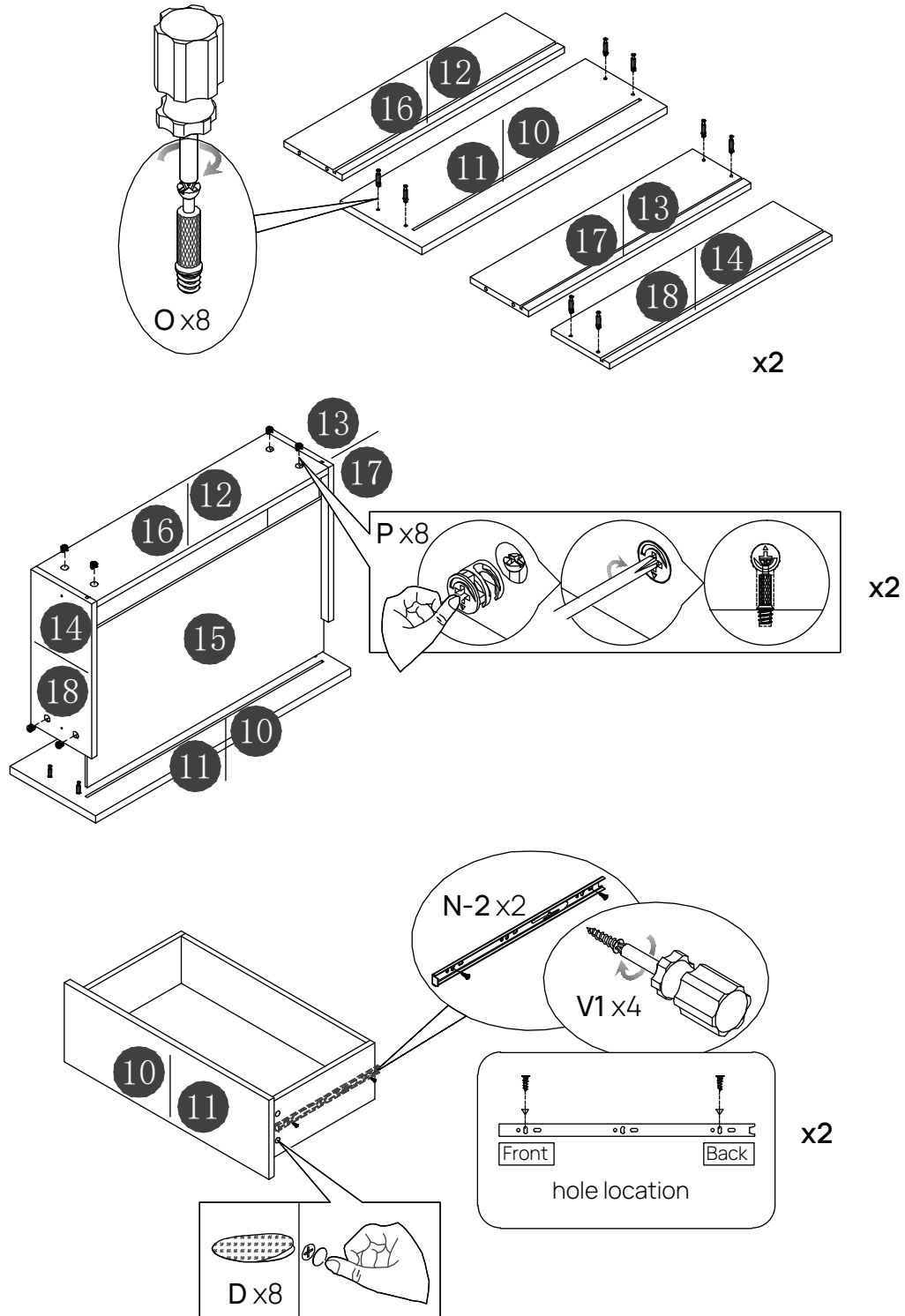
8/11

-V1.0-

KLAST

www.klasthome.com

STEP 7



KAMILA

Ref: SC-0041

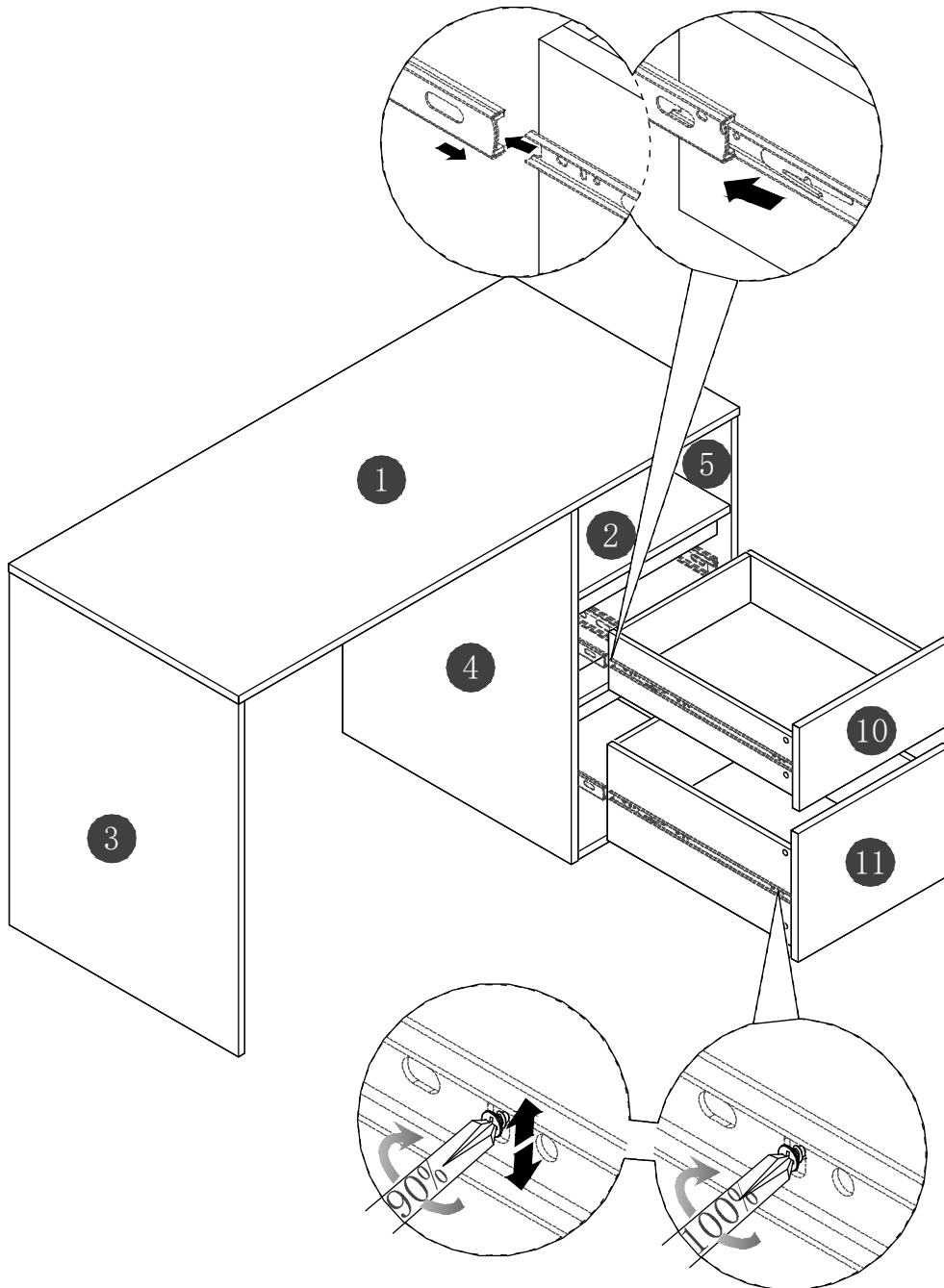
9/11

-V1.0-

KLAST

www.klasthome.com

STEP 8



KAMILA

Ref: SC-0041

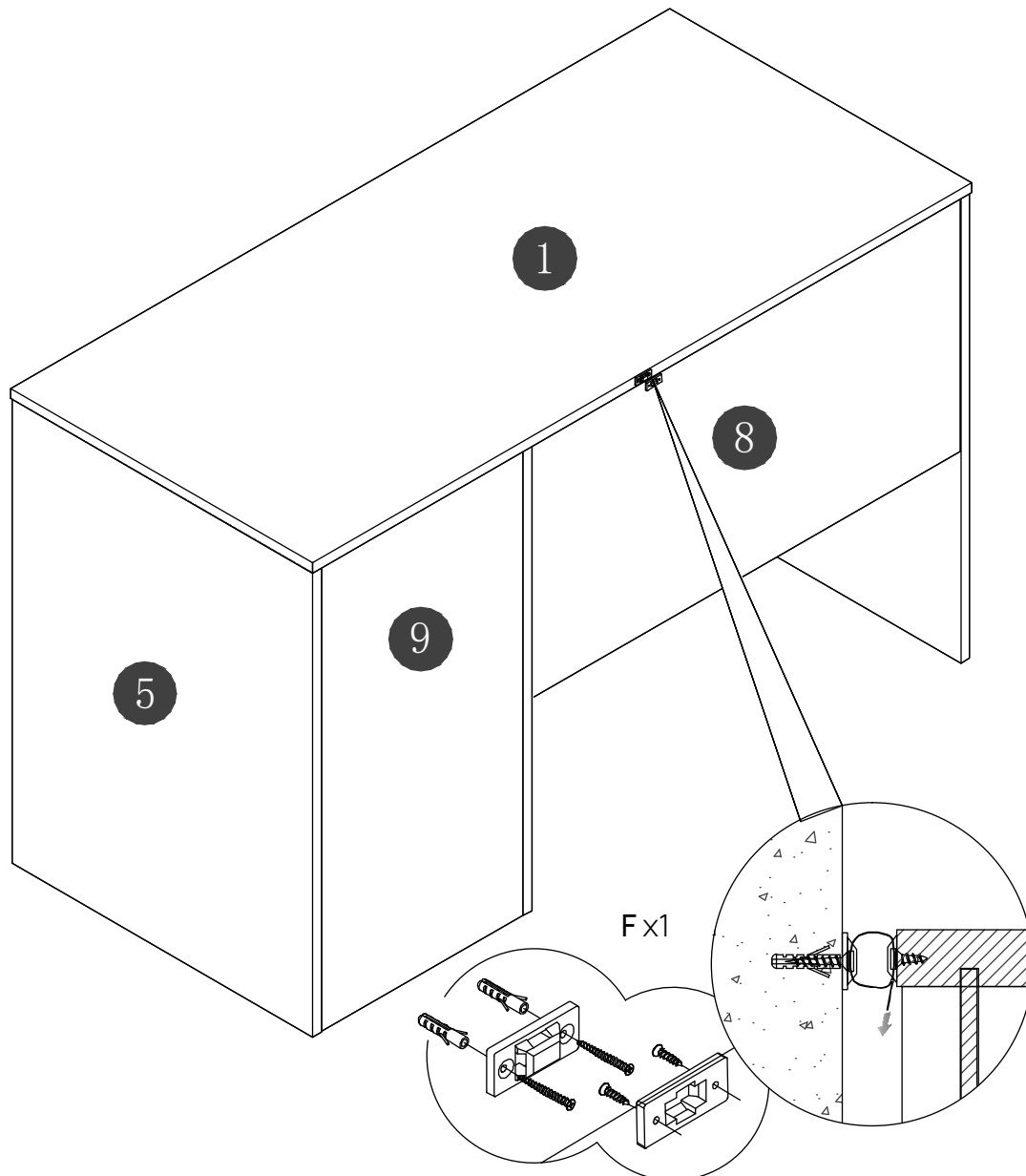
10/11

-V1.0-

KLAST

www.klasthome.com

STEP 9



KAMILA

Ref: SC-0041

11/11

-V1.0-