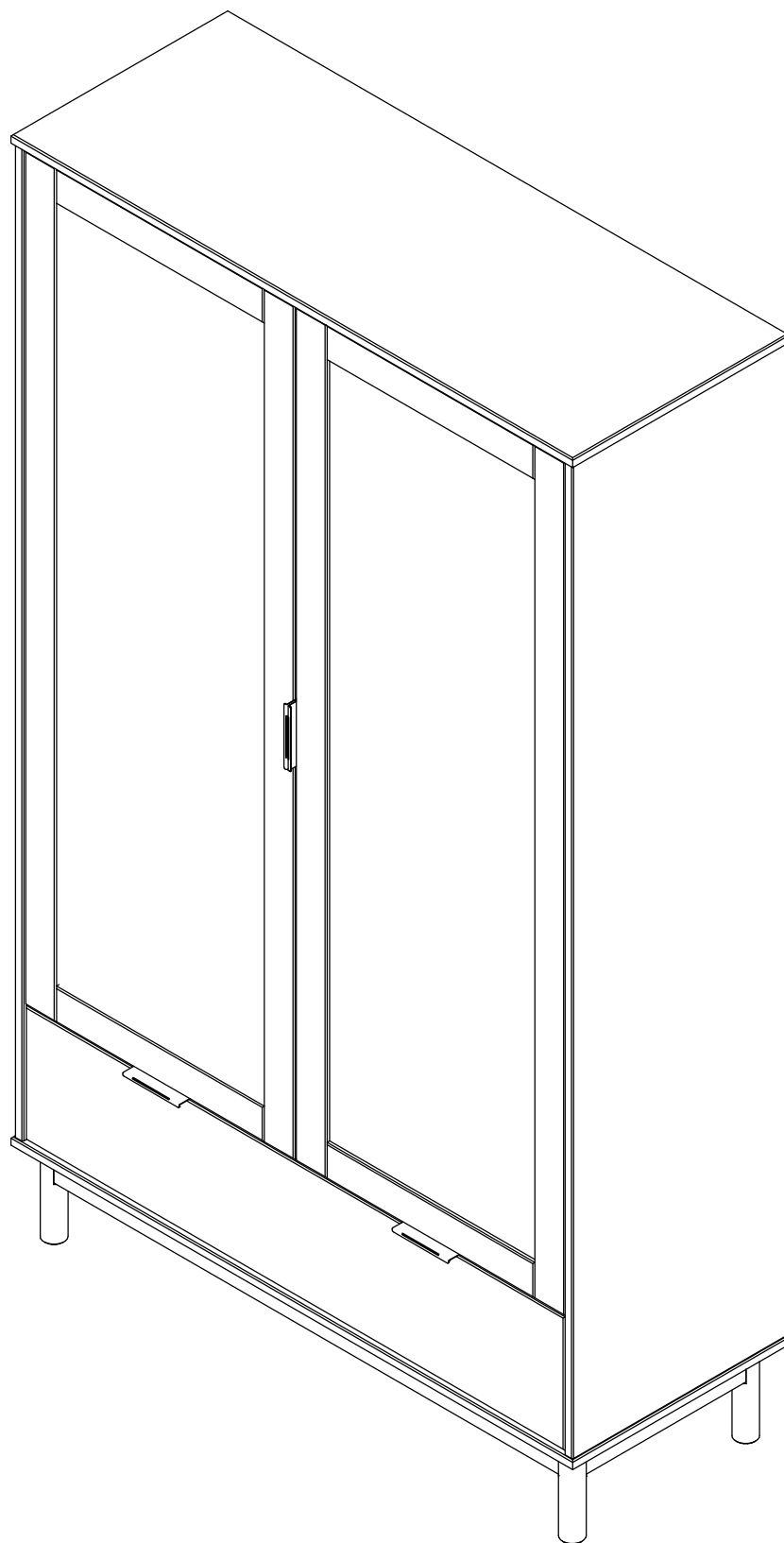


# KLAST

[www.klasthome.com](http://www.klasthome.com)



**ELIAN**

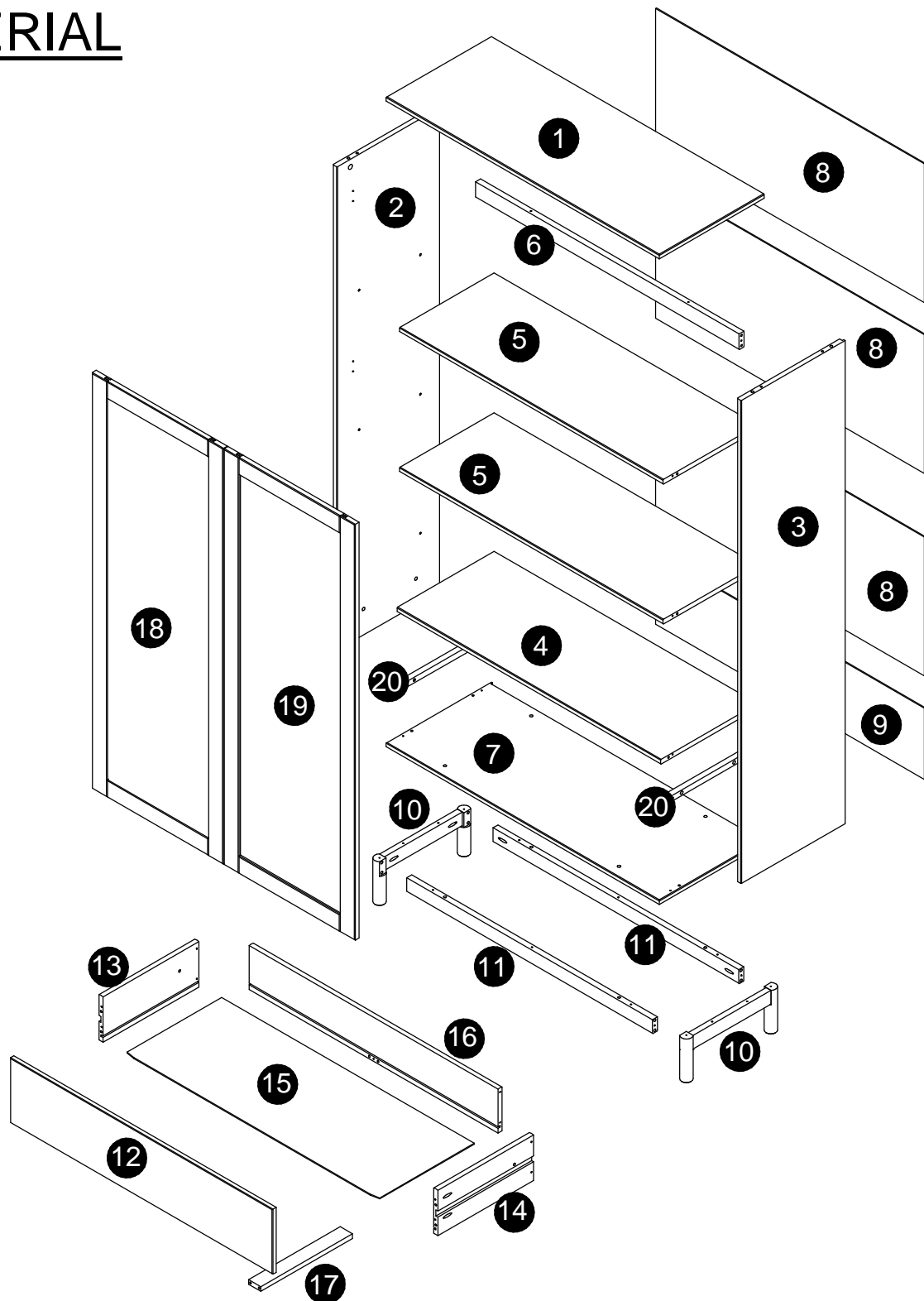
Ref:TL-0008

1/17

# KLAST

www.klasthome.com

## MATERIAL



## ELIAN

Ref:TL-0008

2/17

# KLAST

www.klasthome.com

## MATERIAL



**A**

Ø6x30mm (32x)



**B**

Ø8x30mm (14x)



**C**

Ø3,5x12mm (28x)



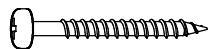
**D**

Ø3,5x14mm (08x)



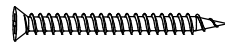
**E**

Ø3,5x30mm (21x)



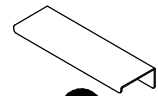
**F**

Ø3,5x35mm (14x)



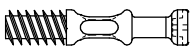
**G**

Ø3,5x35mm (08x)



**H**

(04x)



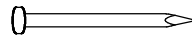
**I**

(04x)



**J**

(04x)



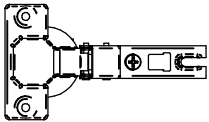
**K**

(39x)



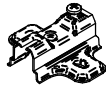
**L**

(04x)



**M**

(06x)



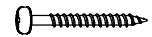
**N**

(06x)



**O**

Ø10x20mm (04x)



**P**

Ø3,5x25mm (04x)



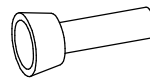
**Q**

(02x)



**R**

(02x)



**S**

(02x)



**T**

Ø3,0x12mm (04x)



**U**

(09x)



**V**

(02x)



**W**

(02x)



**X**

Ø3,5x20mm (02x)

# ELIAN

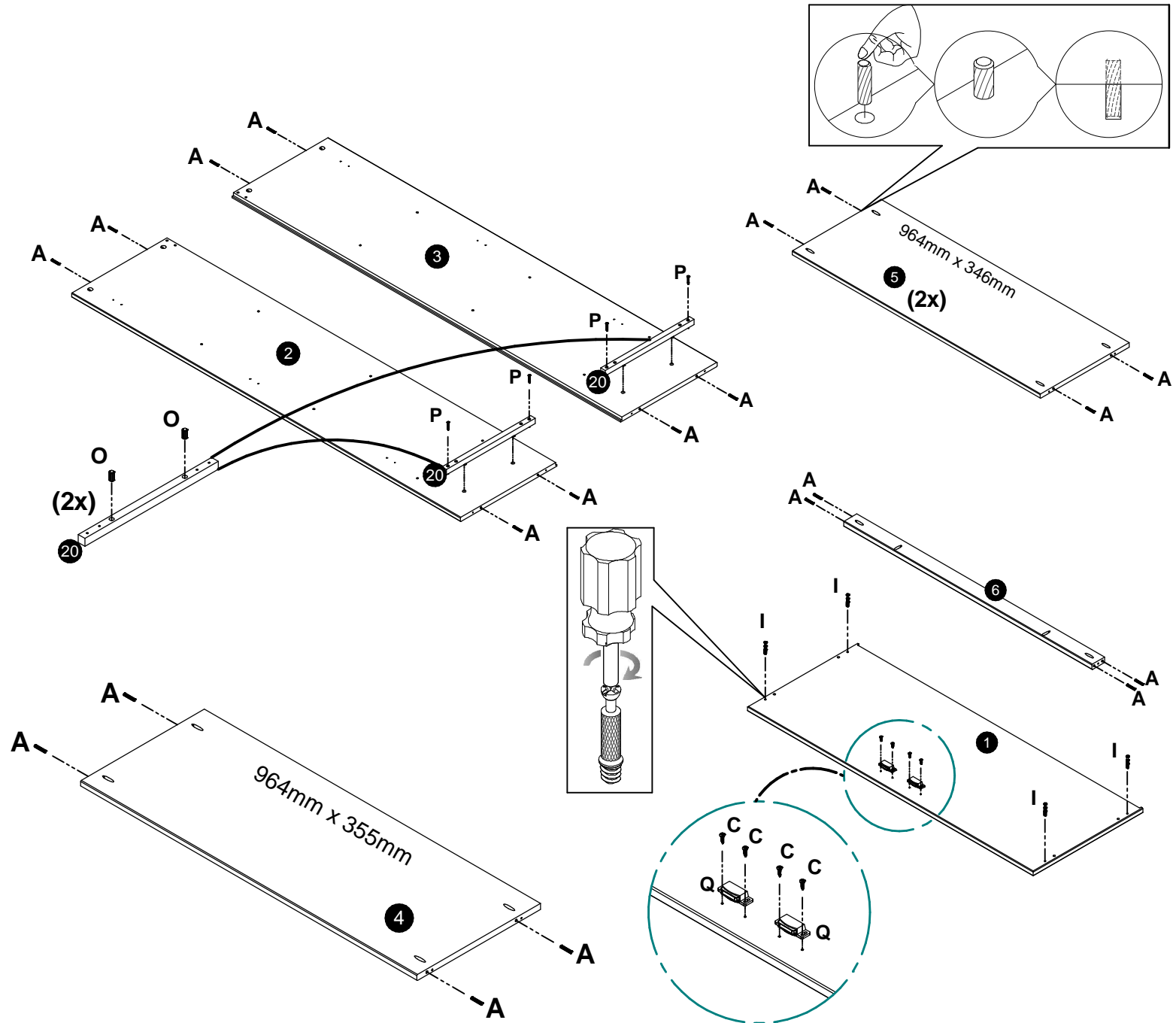
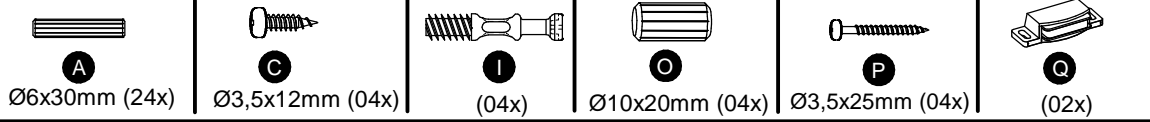
Ref:TL-0008

3/17

# KLAST

www.klathome.com

## STEP 1



# ELIAN

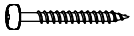
Ref:TL-0008

4/17

# KLAST

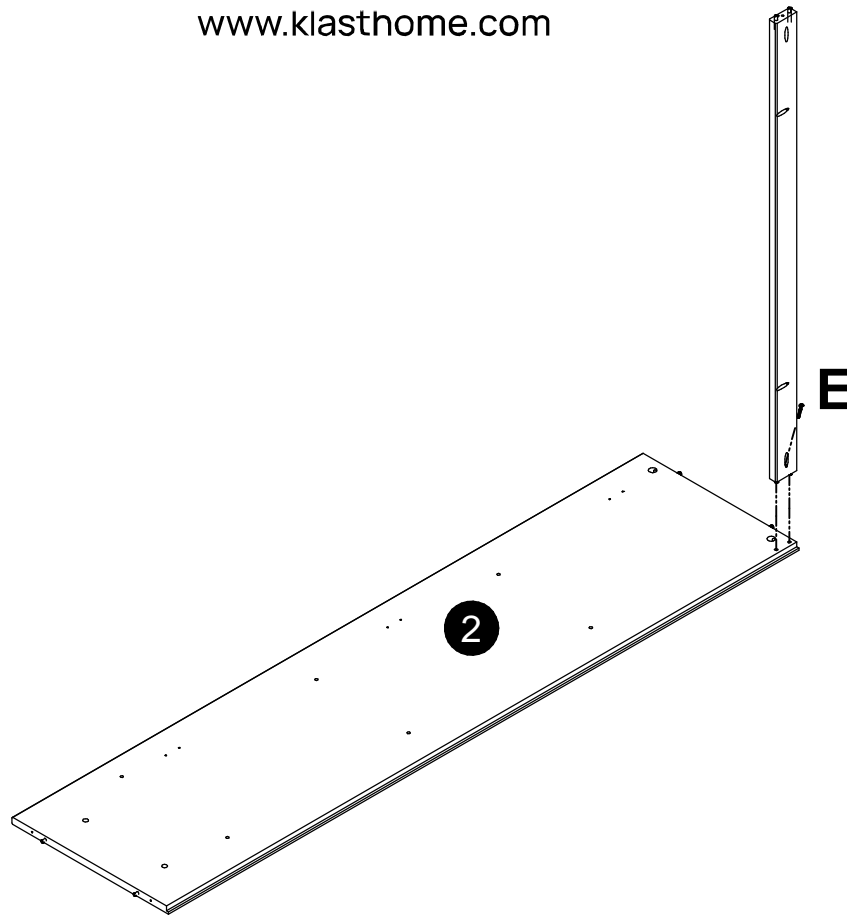
www.klasthome.com

## STEP 2

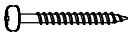


E

Ø3,5x30mm (01x)

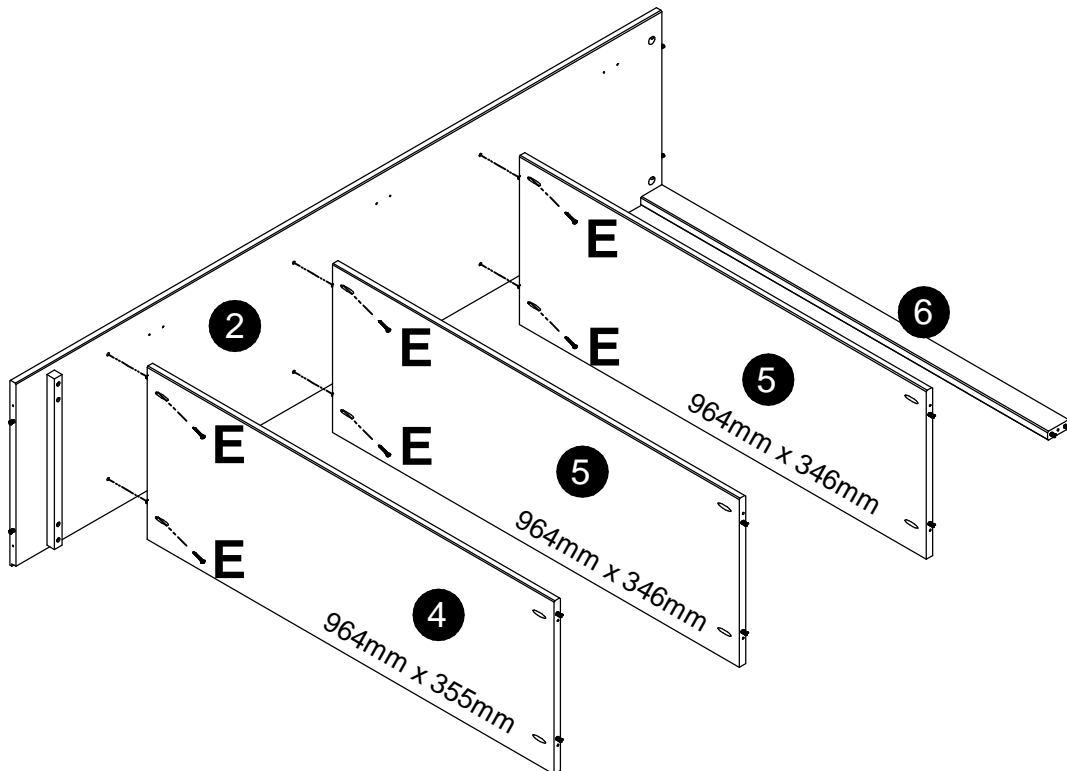


## STEP 3



E

Ø3,5x30mm (06x)



# ELIAN

Ref:TL-0008

5/17

# KLAST

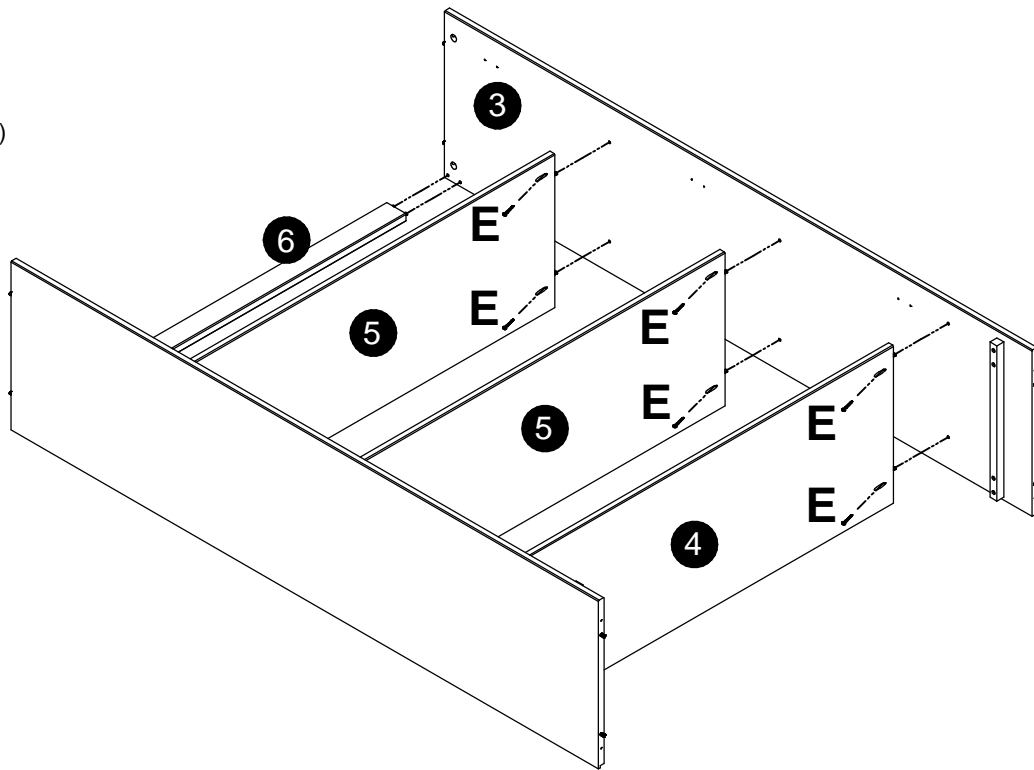
www.klasthome.com

## STEP 4



E

Ø3,5x30mm (06x)

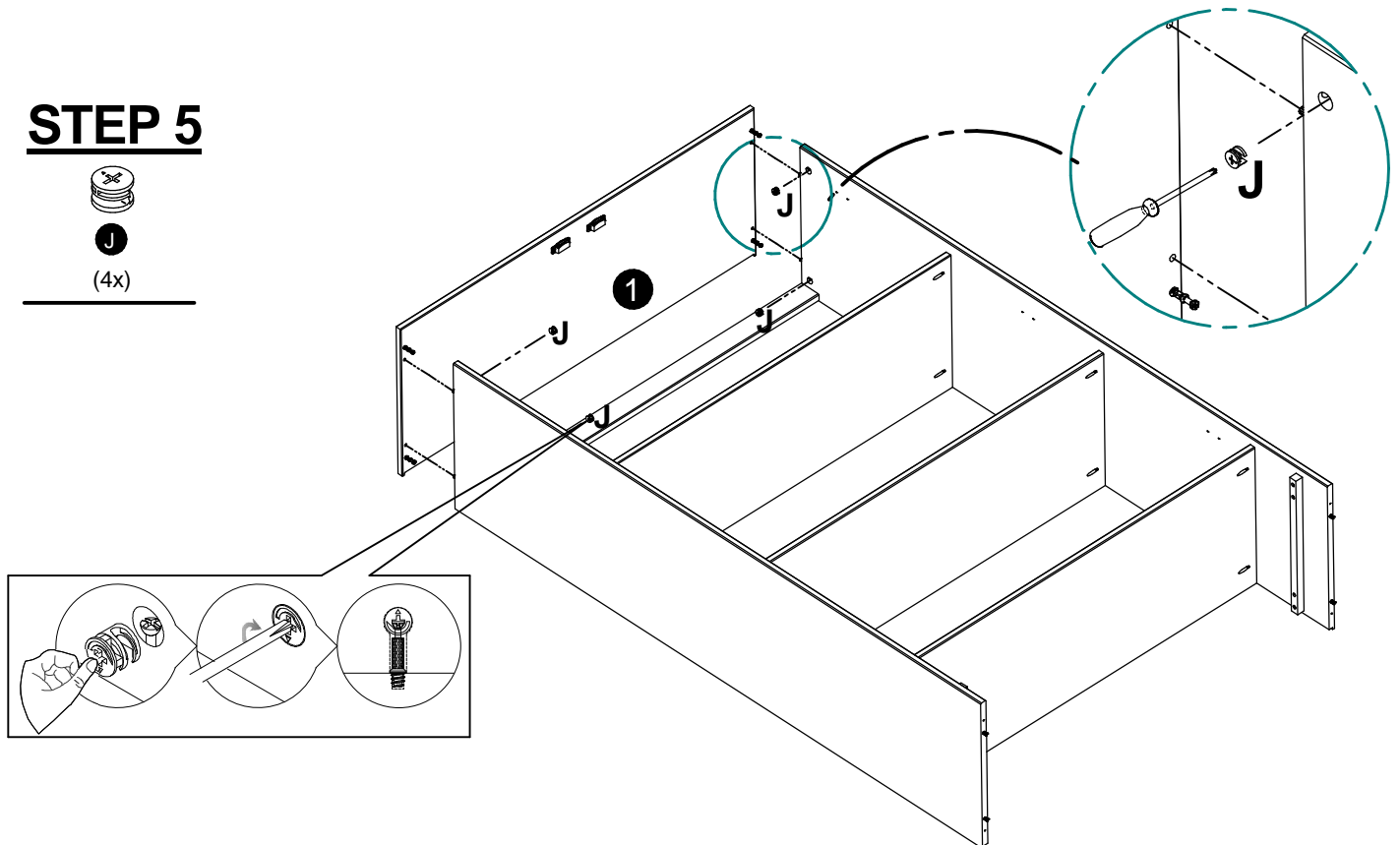


## STEP 5



J

(4x)



# ELIAN

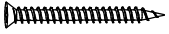
Ref:TL-0008

6/17

# KLAST

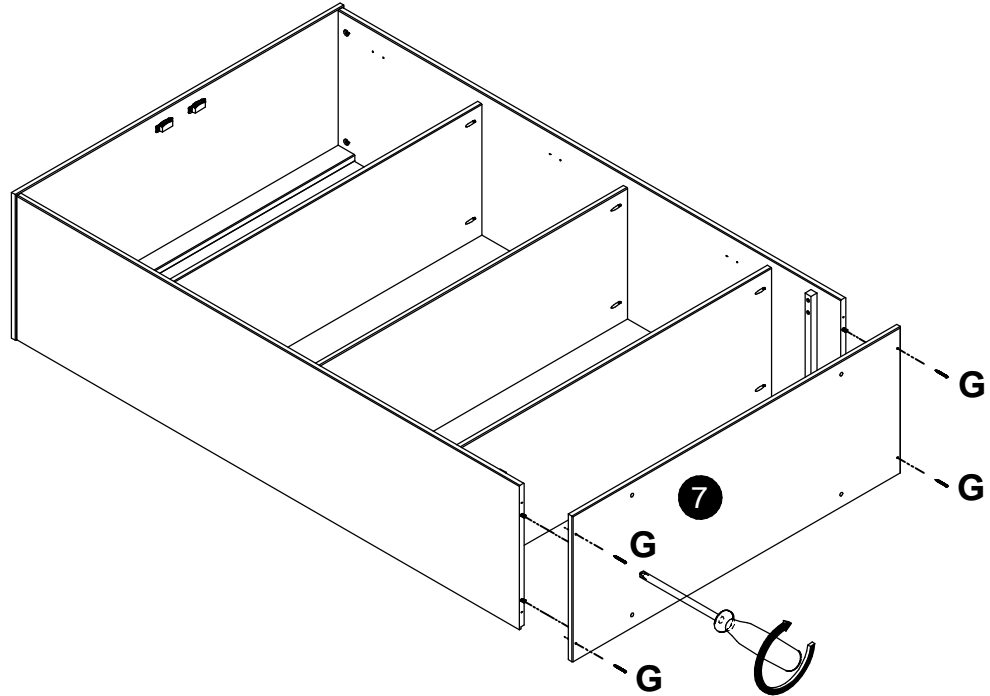
www.klasthome.com

## STEP 6



G

Ø3,5x35mm (04x)

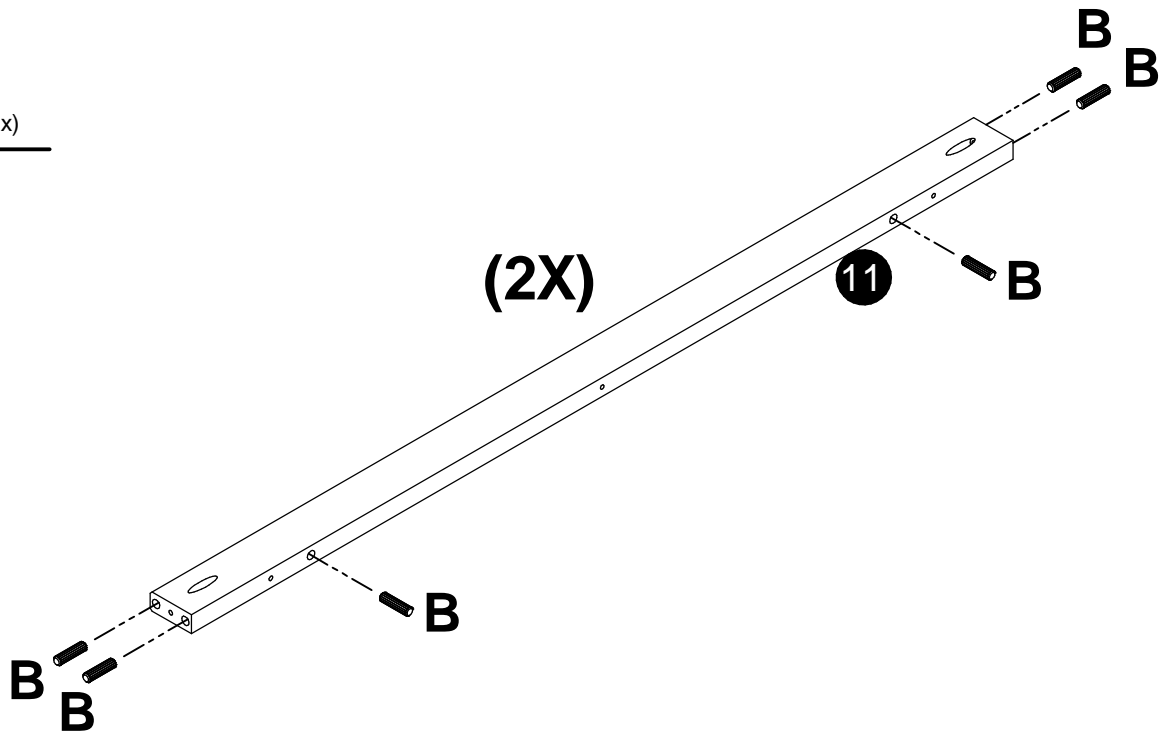


## STEP 7



B

Ø8x30mm (12x)



# ELIAN

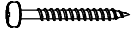
Ref:TL-0008

7/17

# KLAST

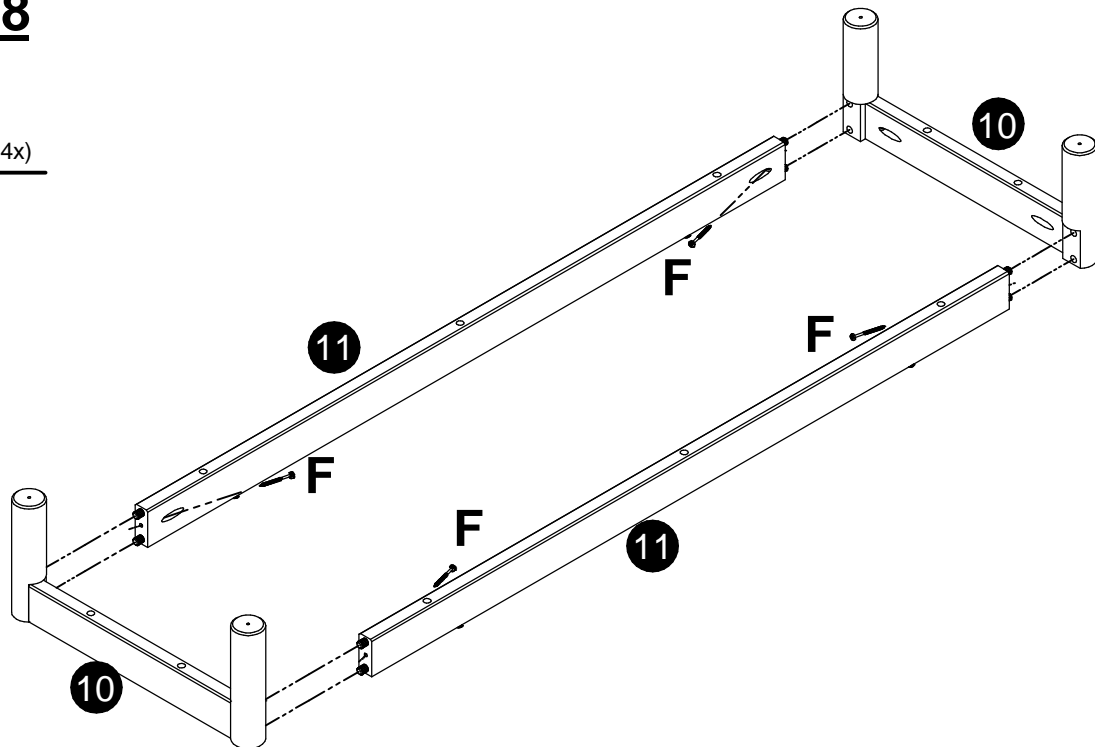
www.klasthome.com

## STEP 8

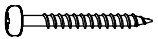


F

Ø3,5x35mm (04x)

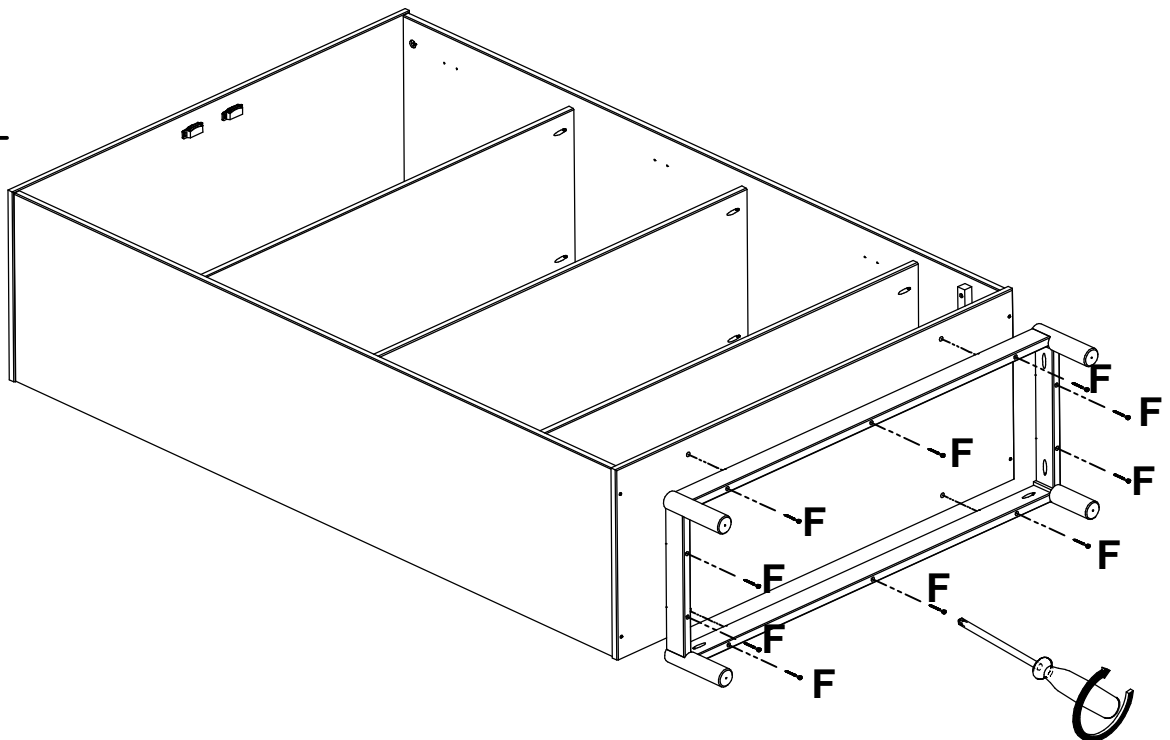


## STEP 9



F

Ø3,5x35mm (10x)



# ELIAN

Ref:TL-0008

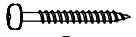
8/17



# KLAST

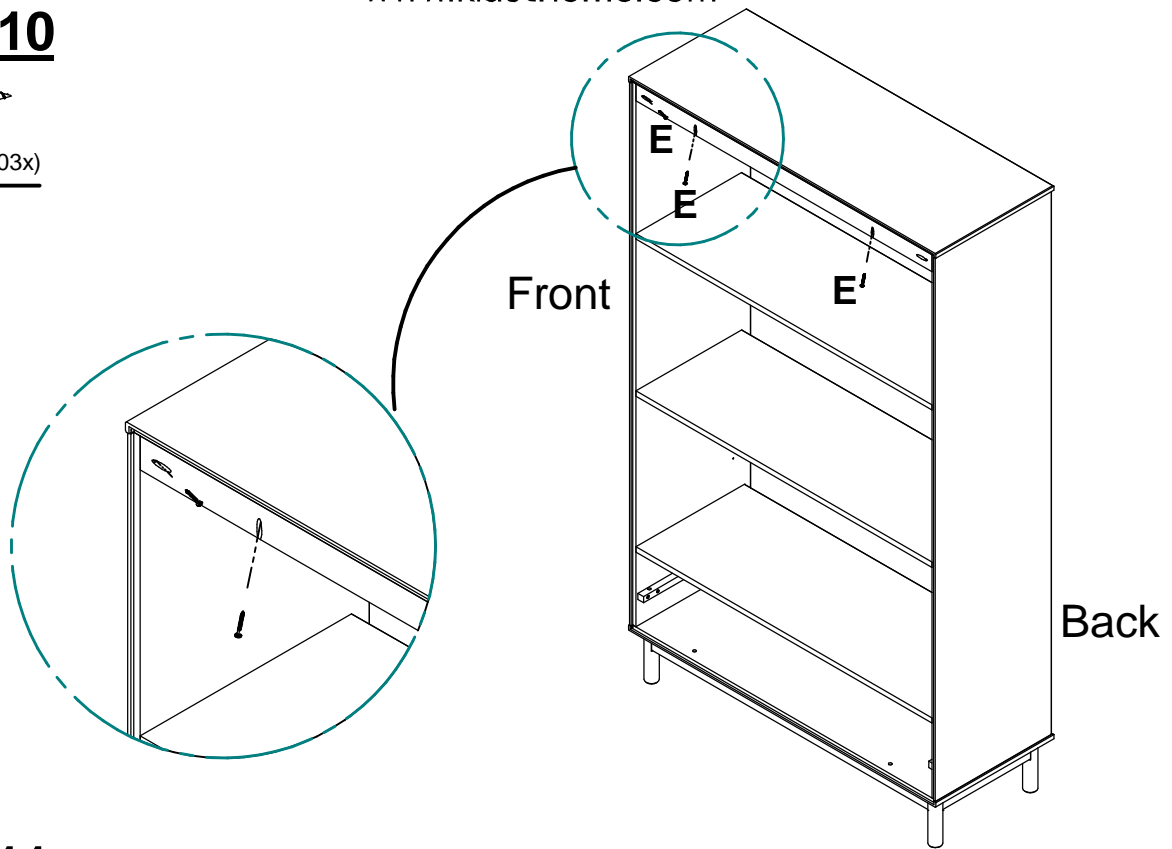
www.klasthome.com

## STEP 10



**E**

Ø3,5x30mm (03x)

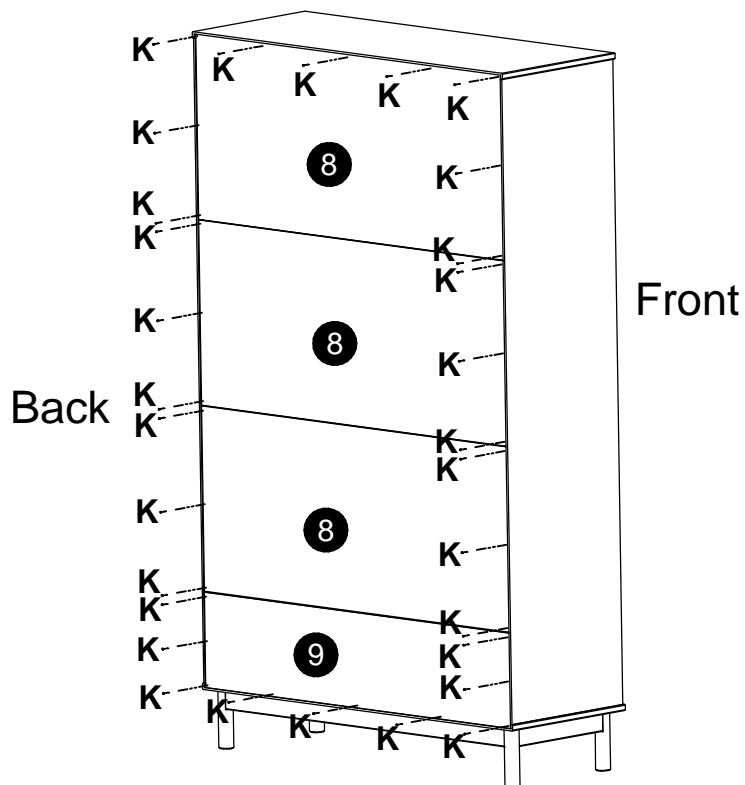


## STEP 11



**K**

(30x)



# ELIAN

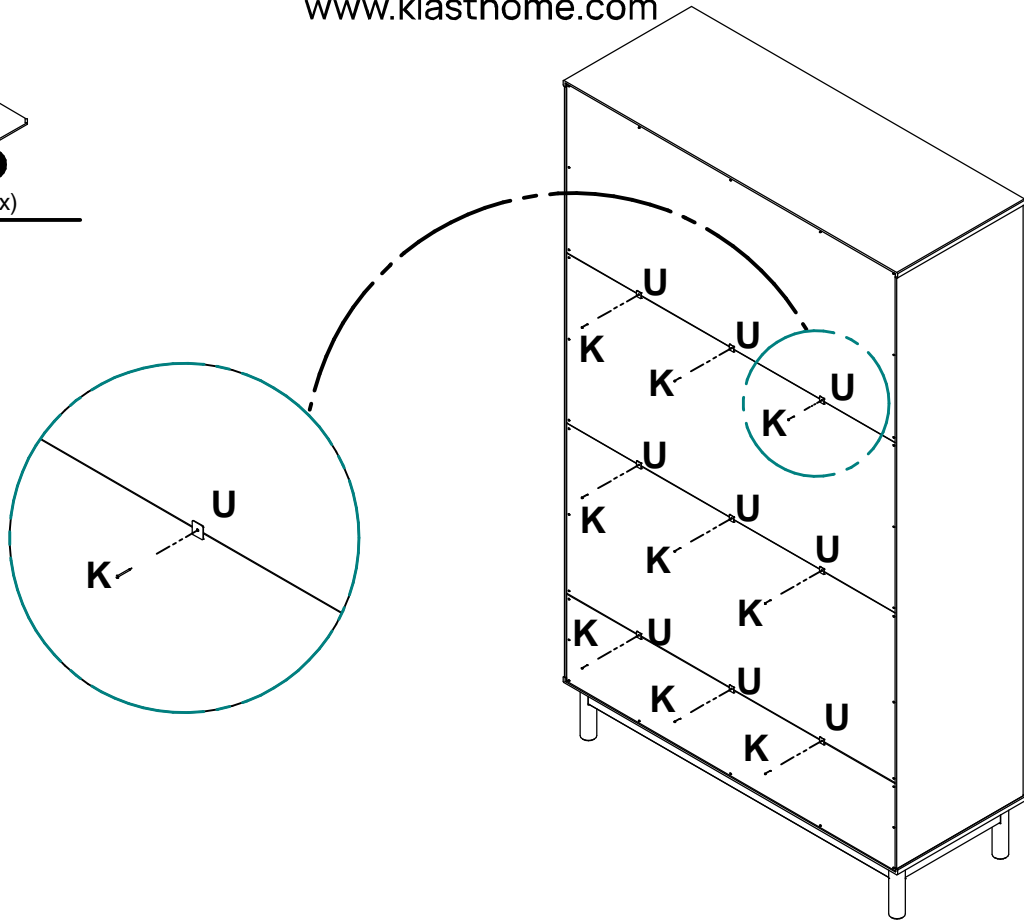
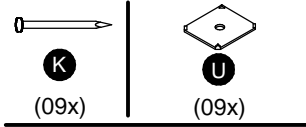
Ref:TL-0008

9/17

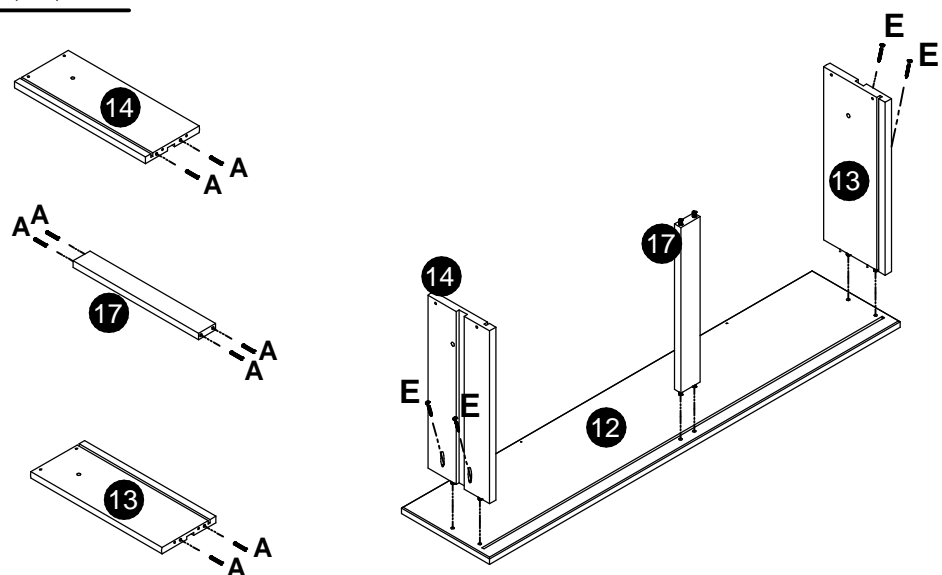
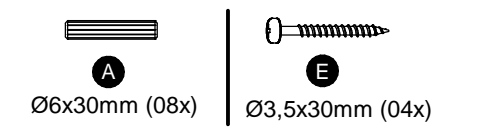
# KLAST

www.klasthome.com

## STEP 12



## STEP 13



# ELIAN

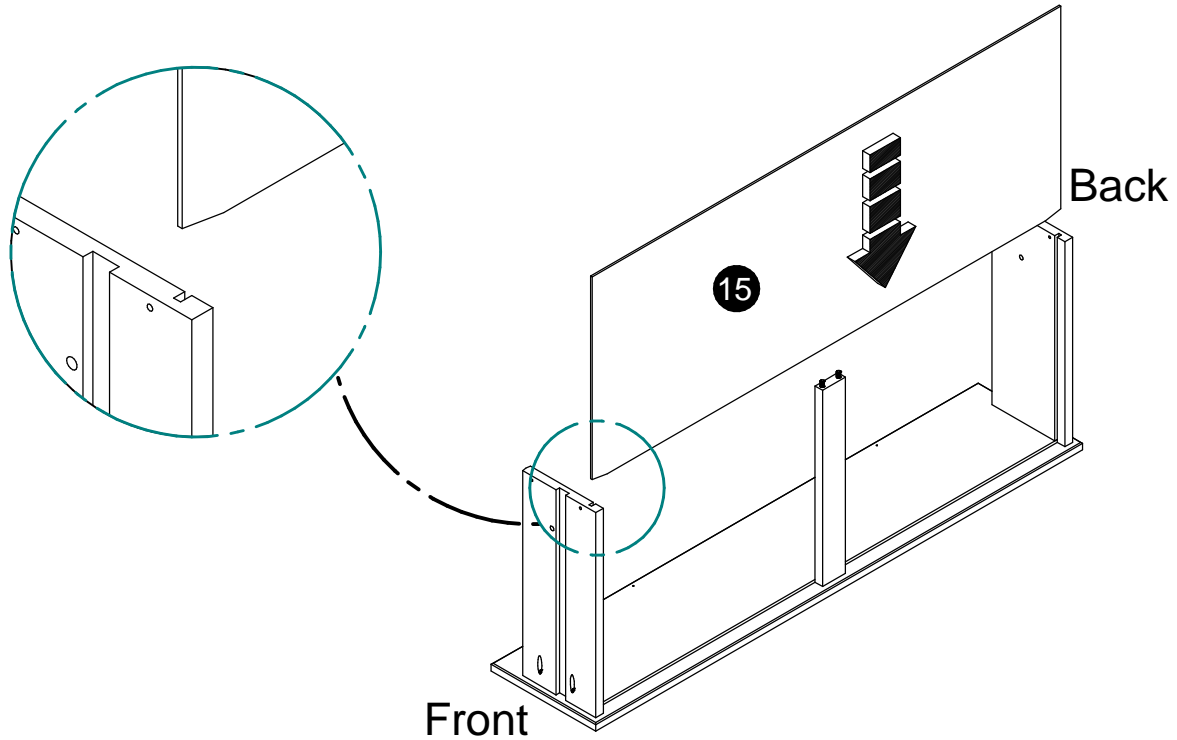
Ref:TL-0008

10/17

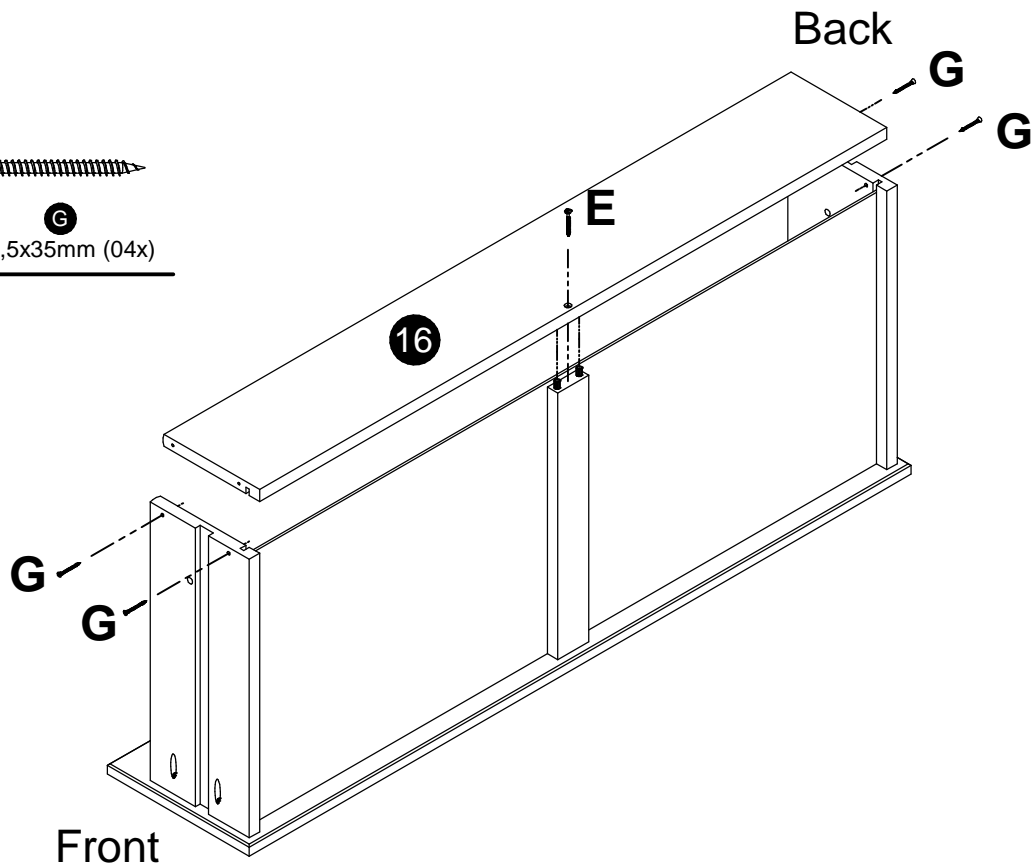
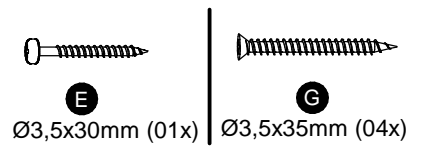
# KLAST

www.klathome.com

## STEP 14



## STEP 15



# ELIAN

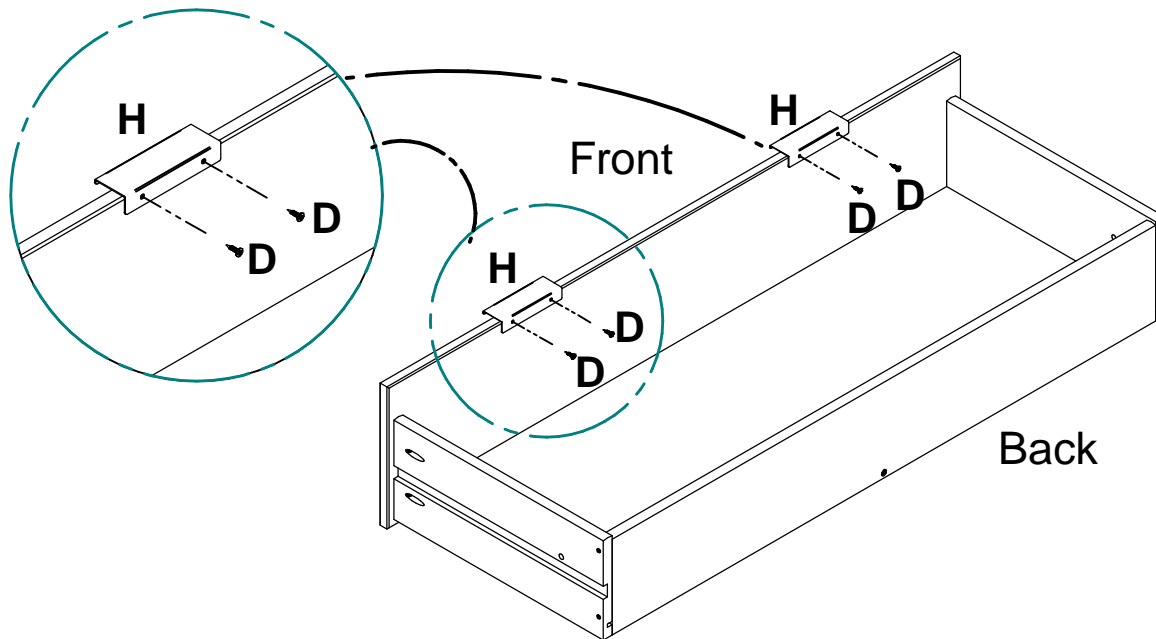
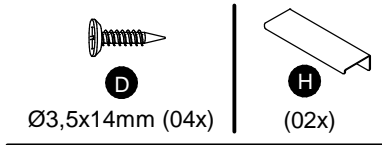
Ref:TL-0008

11/17

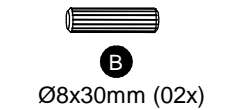
# KLAST

www.klasthome.com

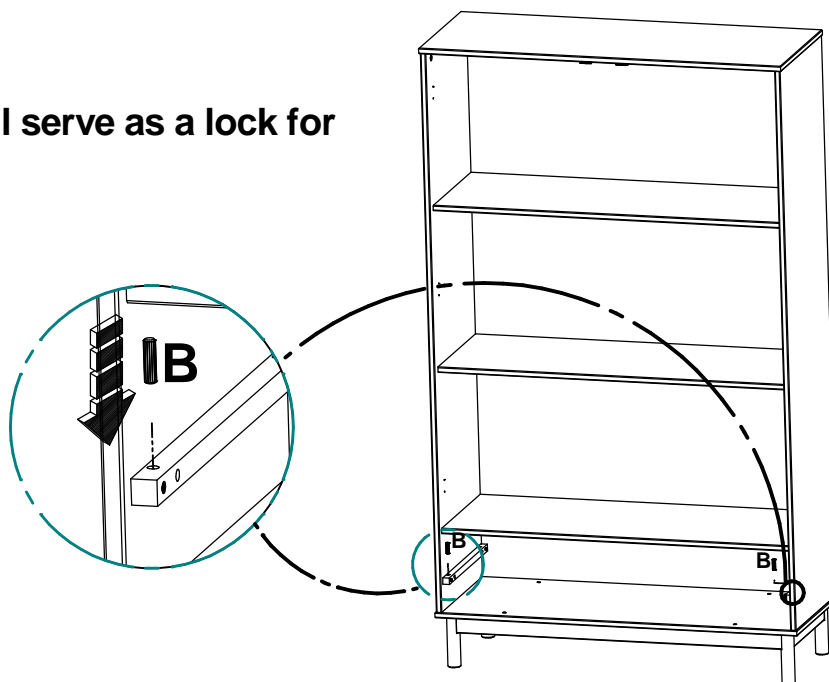
## STEP 16



## STEP 17



- This dowel will serve as a lock for the drawer.



# ELIAN

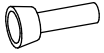
Ref:TL-0008

12/17

# KLAST

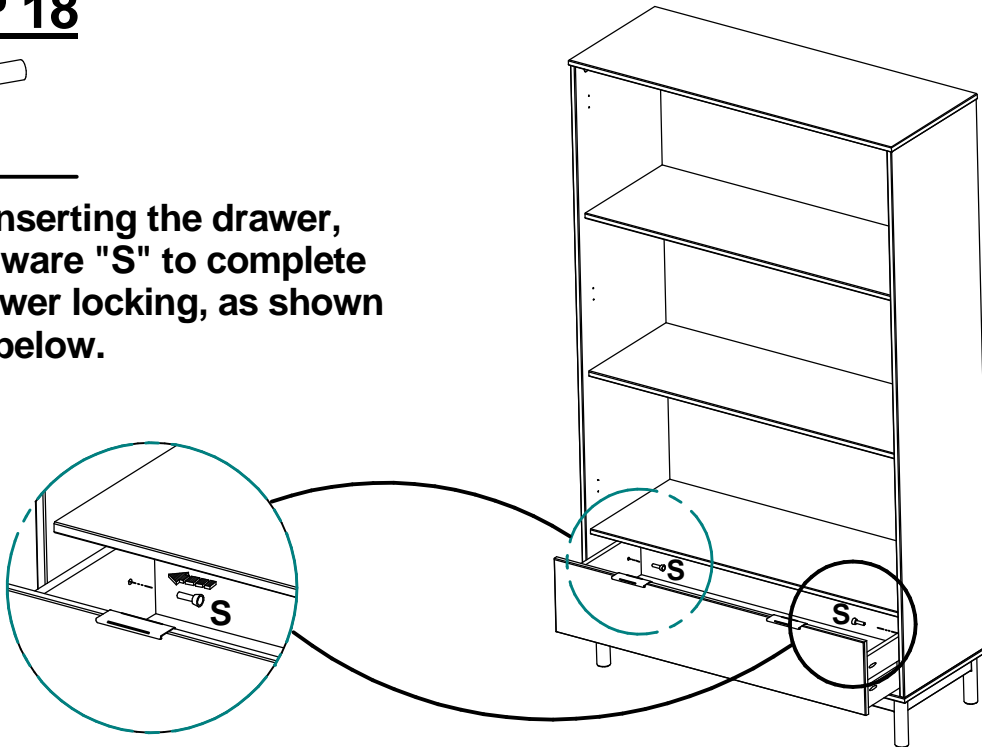
www.klasthome.com

## STEP 18



S  
(02x)

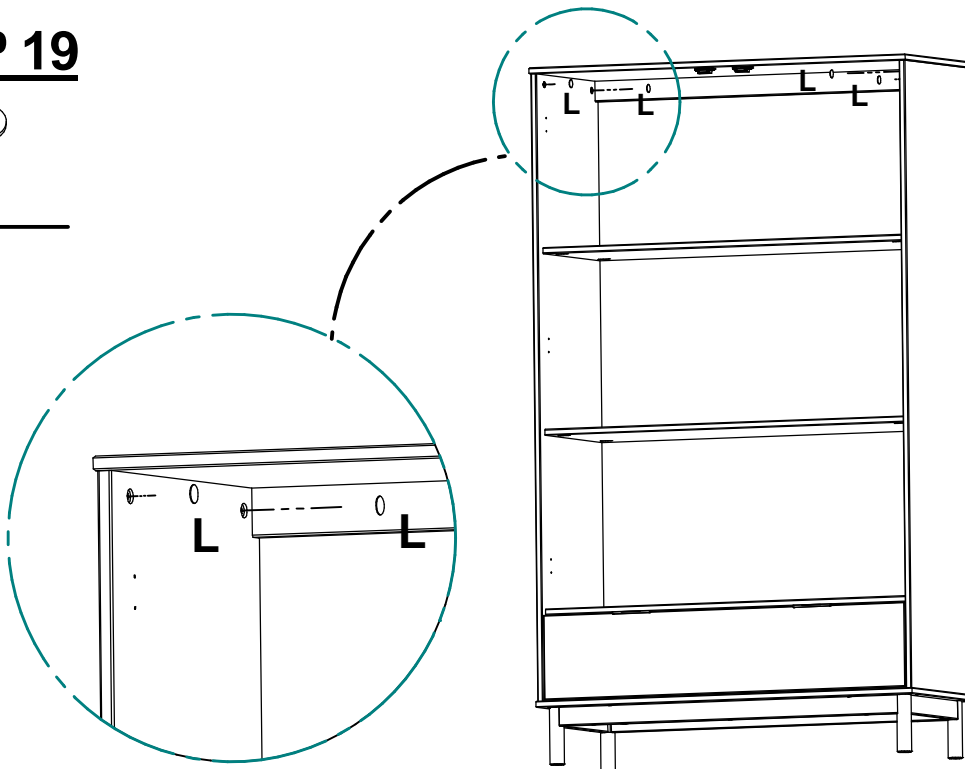
- After inserting the drawer, fit hardware "S" to complete the drawer locking, as shown image below.



## STEP 19



L  
(04x)



# ELIAN

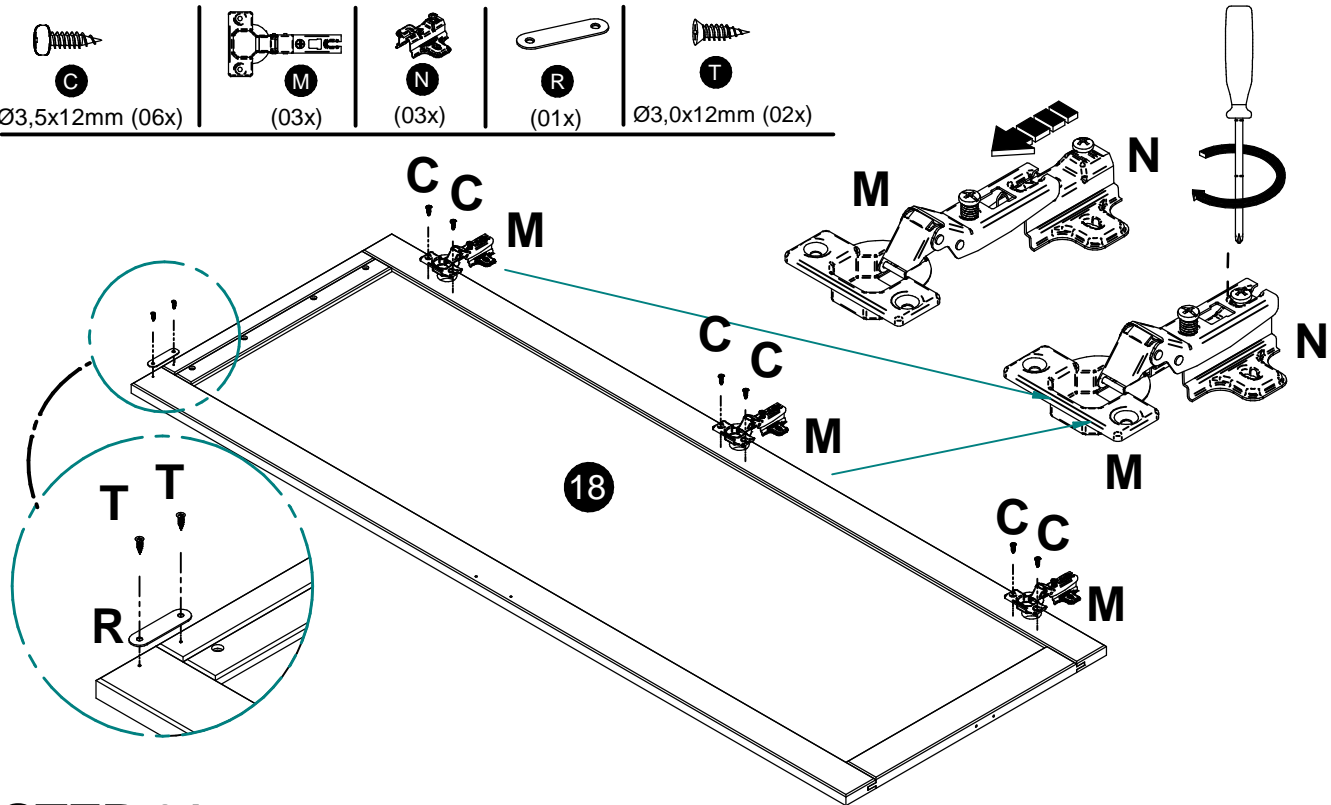
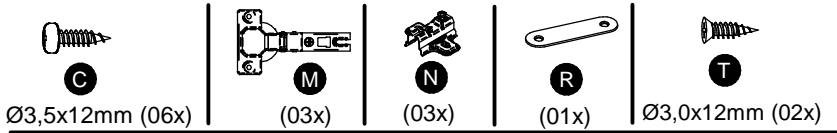
Ref:TL-0008

13/17

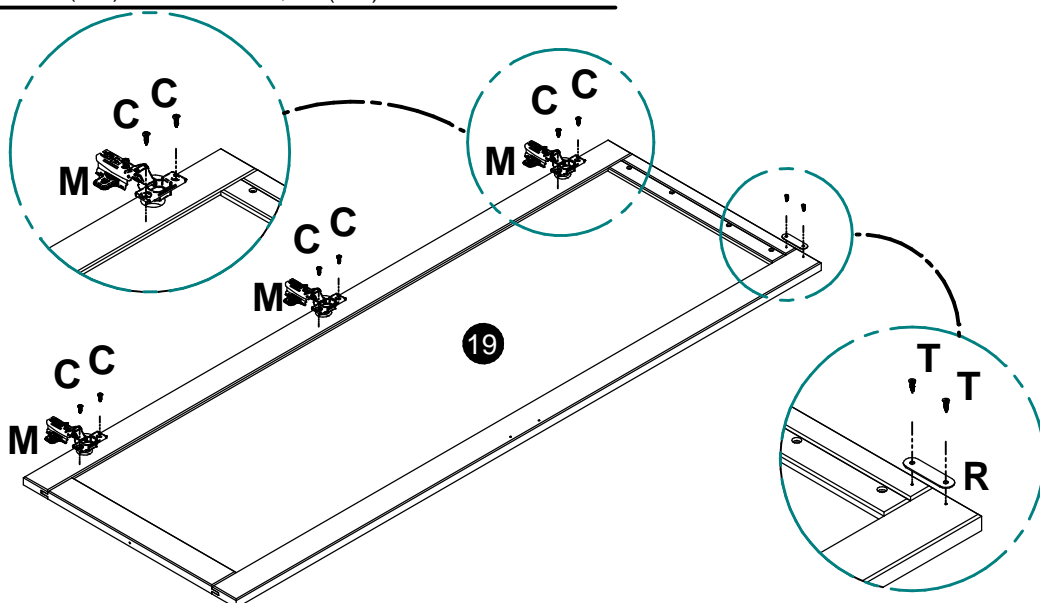
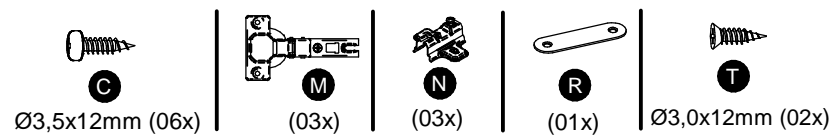
# KLAST

www.klasthome.com

## STEP 20



## STEP 21



# ELIAN

Ref:TL-0008

14/17

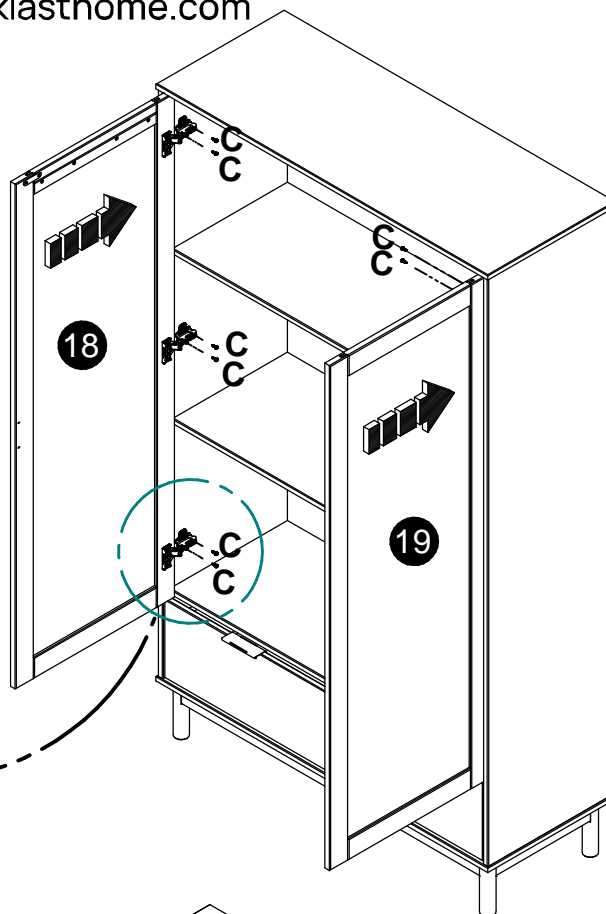
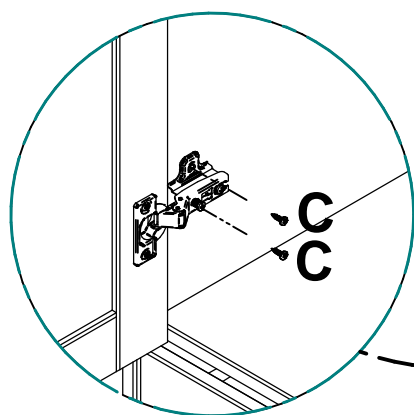
# KLAST

www.klasthome.com

## STEP 22



Ø3,5x12mm (12x)



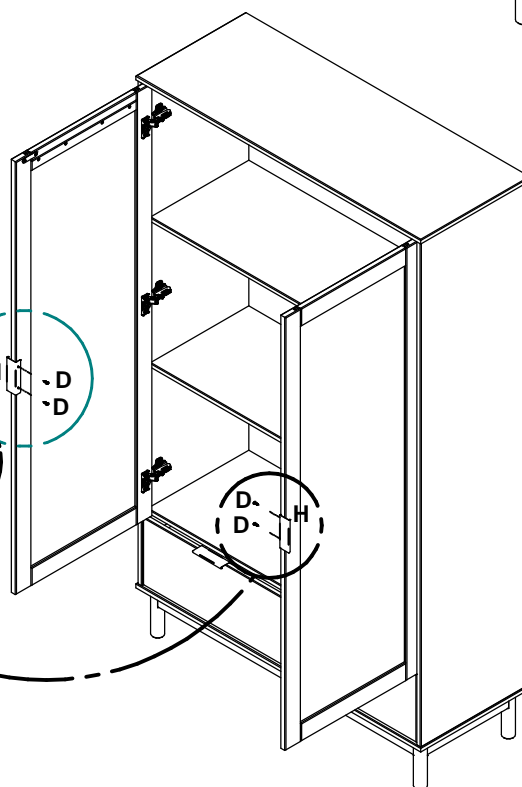
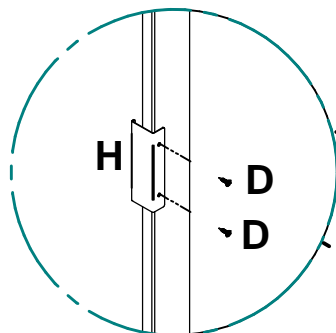
## STEP 23



Ø3,5x14mm (04x)



(02x)



# ELIAN

Ref:TL-0008

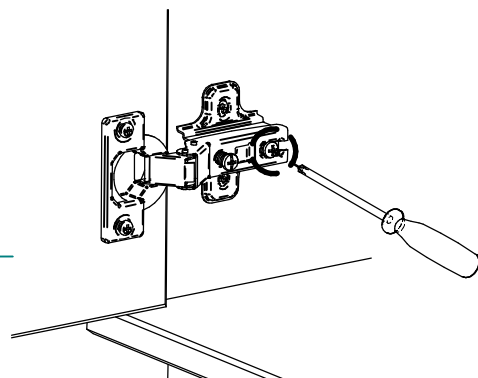
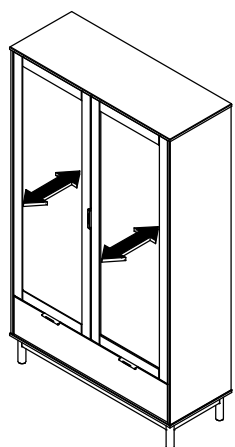
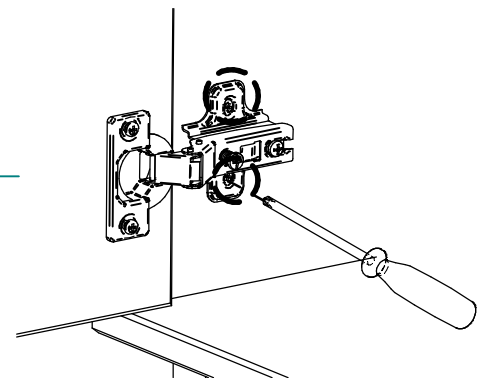
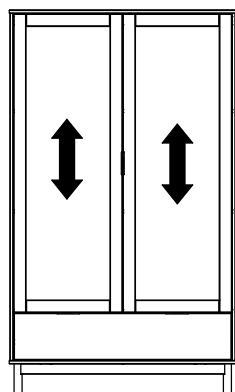
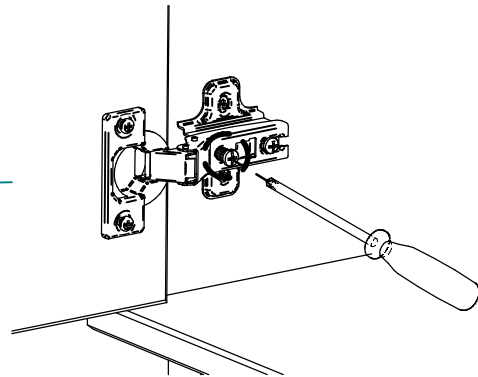
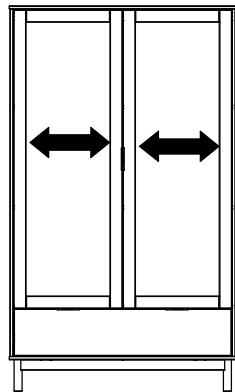
15/17

# KLAST

www.klasthome.com

## STEP 24

- DOOR ADJUSTMENT



# ELIAN

Ref:TL-0008

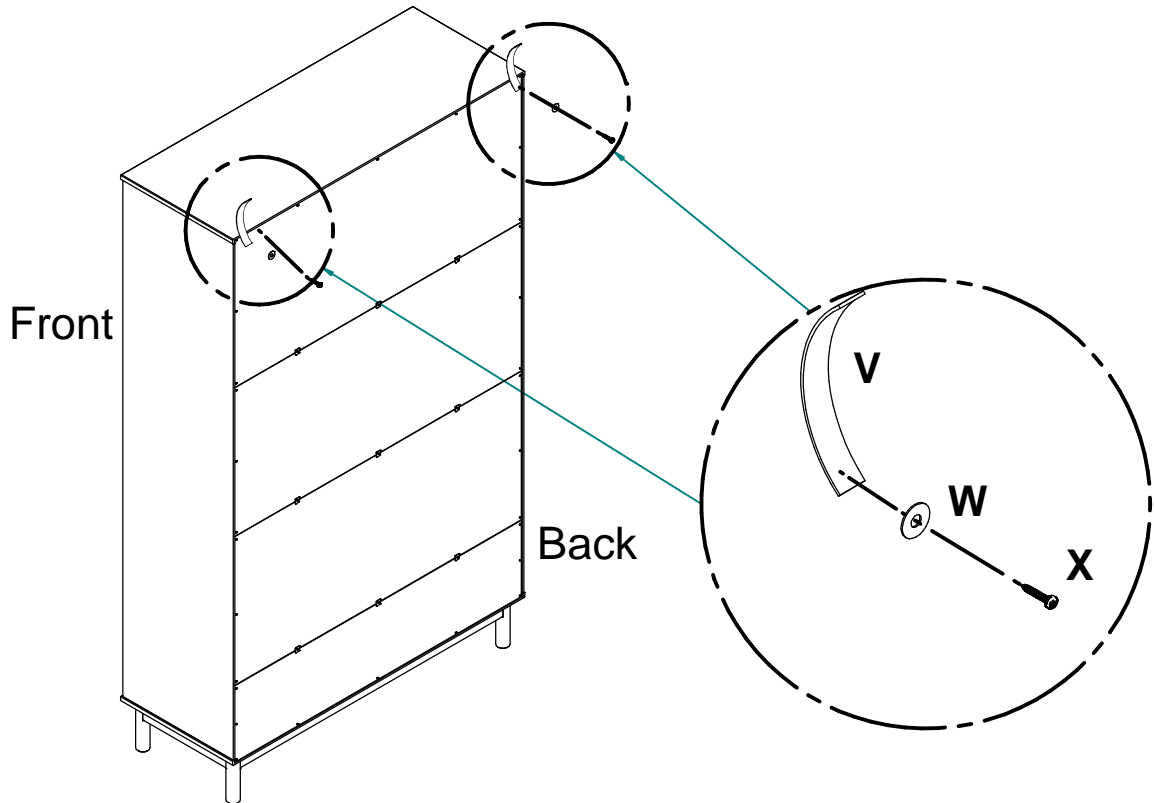
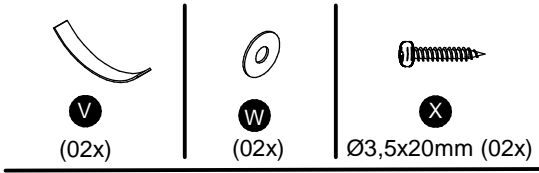
16/17



# KLAST

www.klasthome.com

## STEP 25



## Attention

- Fix textile strap using screw and washer to the back/top of the product as shown above. Place your product in the final position. Mark the wall with a pencil where the hole will be drilled. Check for hidden gas and water pipes and/or electrical wiring. Drill holes and fit an appropriate wall plug (not supplied) for your wall type. Screw the straps to the wall. Choose an appropriate screw to secure. If in any doubt please consult a professional.

# ELIAN

Ref:TL-0008

17/17