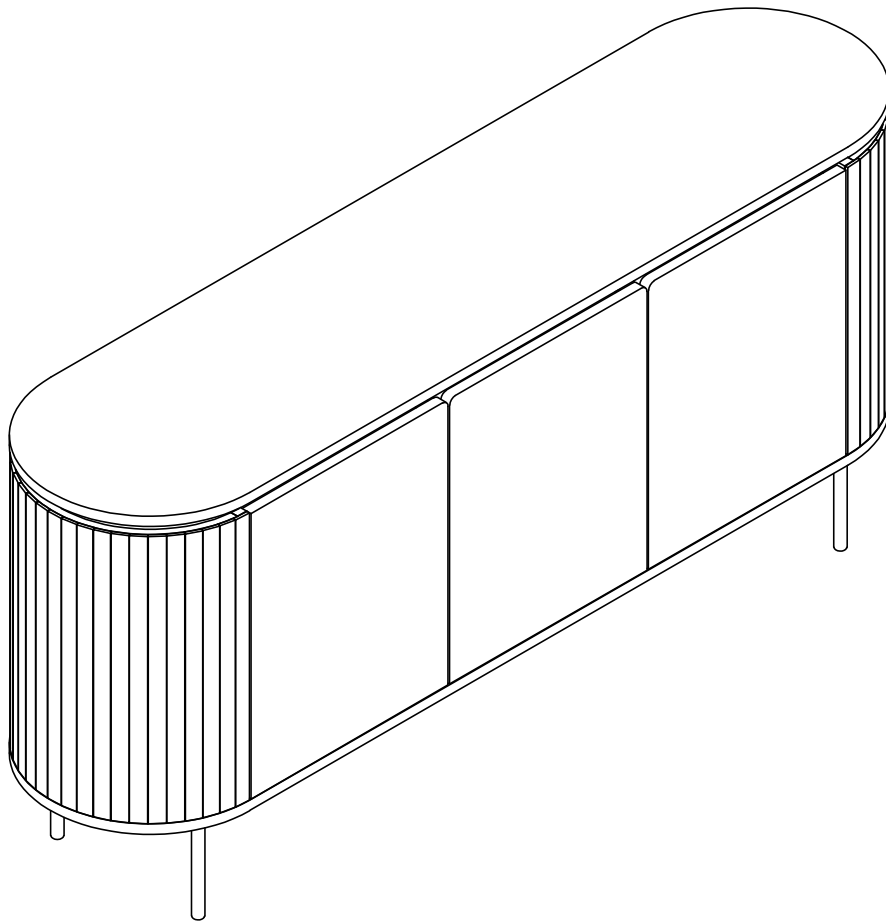


# KLAST

[www.klasthome.com](http://www.klasthome.com)



## HELIOS

Ref: HT-0020

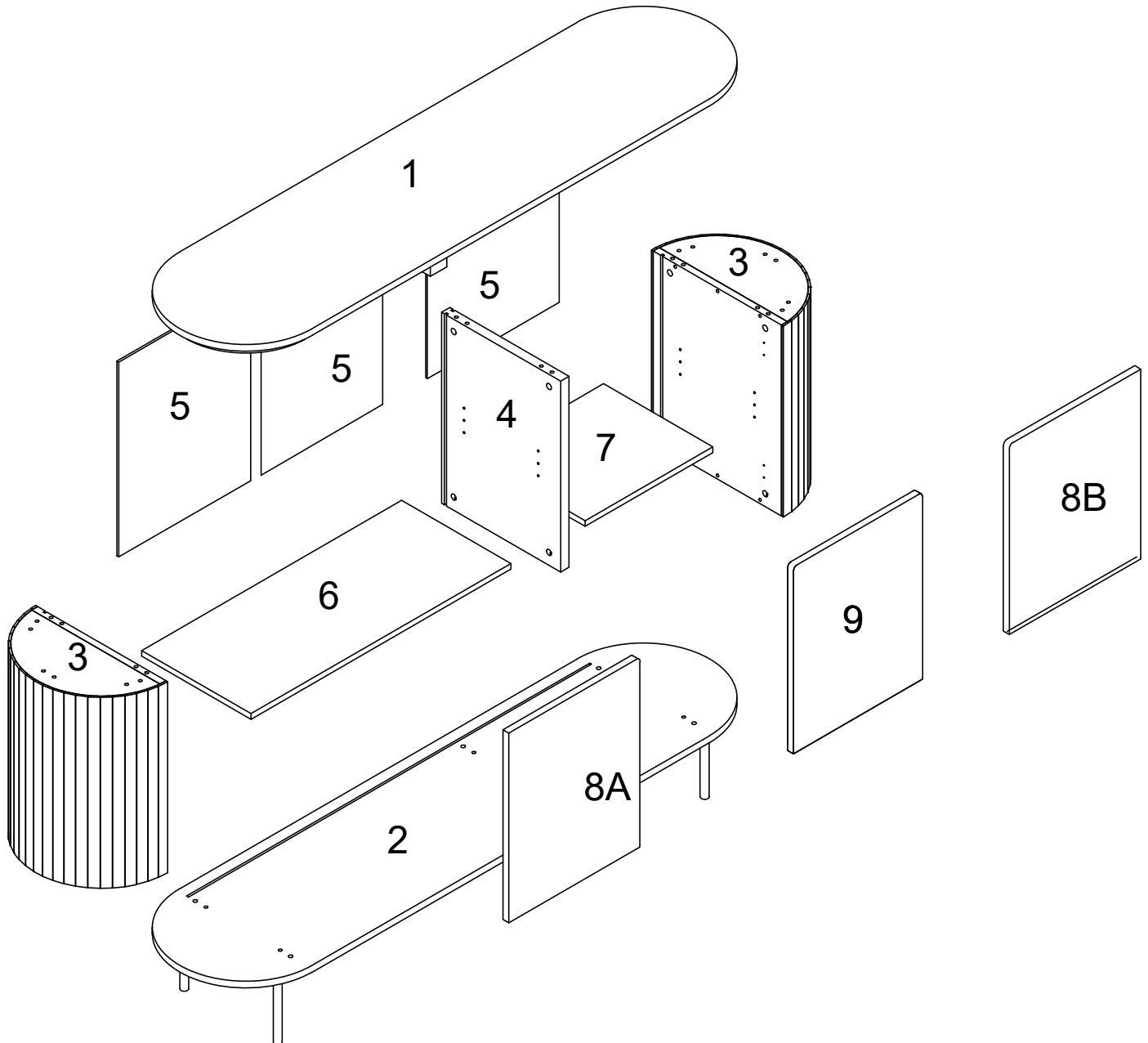
1/11

-V1.0-

# KLAST

www.klasthome.com

## MATERIAL



## HELIOS

Ref: HT-0020

# KLAST

www.klasthome.com

## MATERIAL

1	1	1600x400x43MM
2	1	1600x400x18MM
3	2	200x400x499MM
4	1	360*499x25MM
5	3	397x509x5MM
6	1	785x330x15MM
7	1	386x330x15MM
8A	1	396x496x18MM
8B	1	396x496x18MM
9	1	396x496x18MM

## HELIOS

Ref: HT-0020

# KLAST

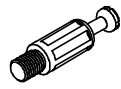
www.klasthome.com

## MATERIAL



Ø15x12

A x12 PC



M6x35

B x12 PC



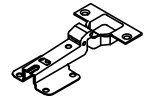
Ø8x40

C x12 PC



M3,5x15

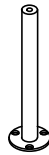
D x44 PC



E x4 PC



F x1 PC



G x5 PC

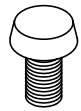


H x8 PC



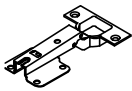
M6x15

I x15 PC



M6x18

J x5 PC



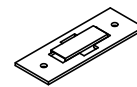
K x2 PC



L x8 PC



M x1 PC



N x4 PC



M4x17

O x4 PC



R x2 PC

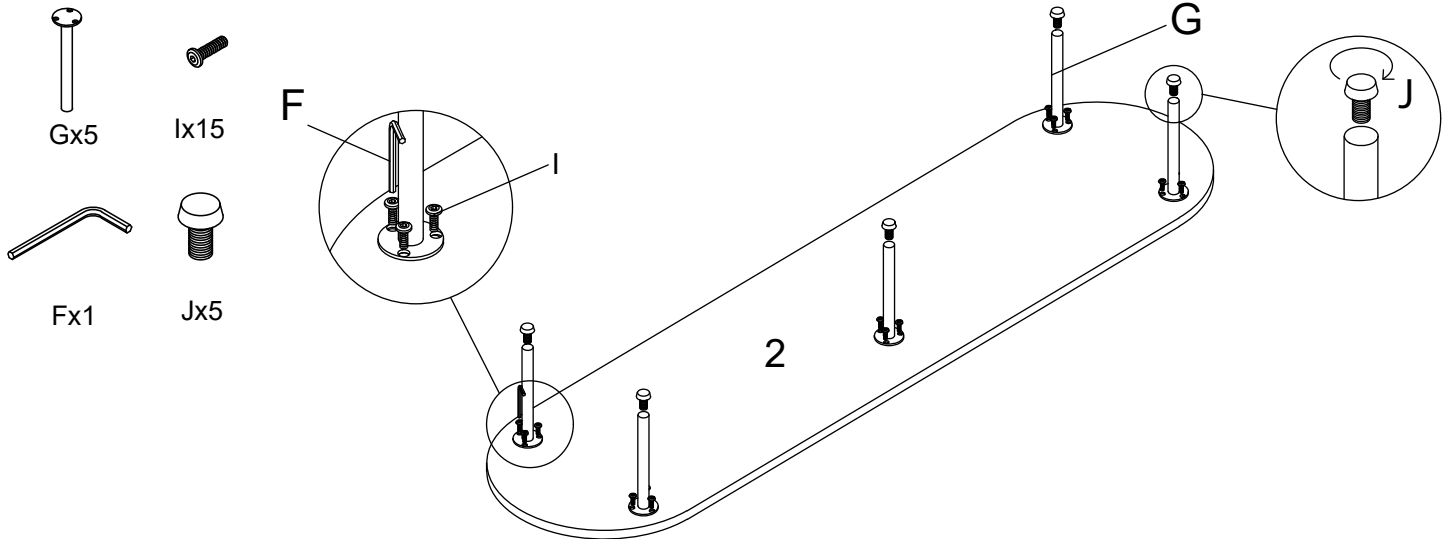
## HELIOS

Ref: HT-0020

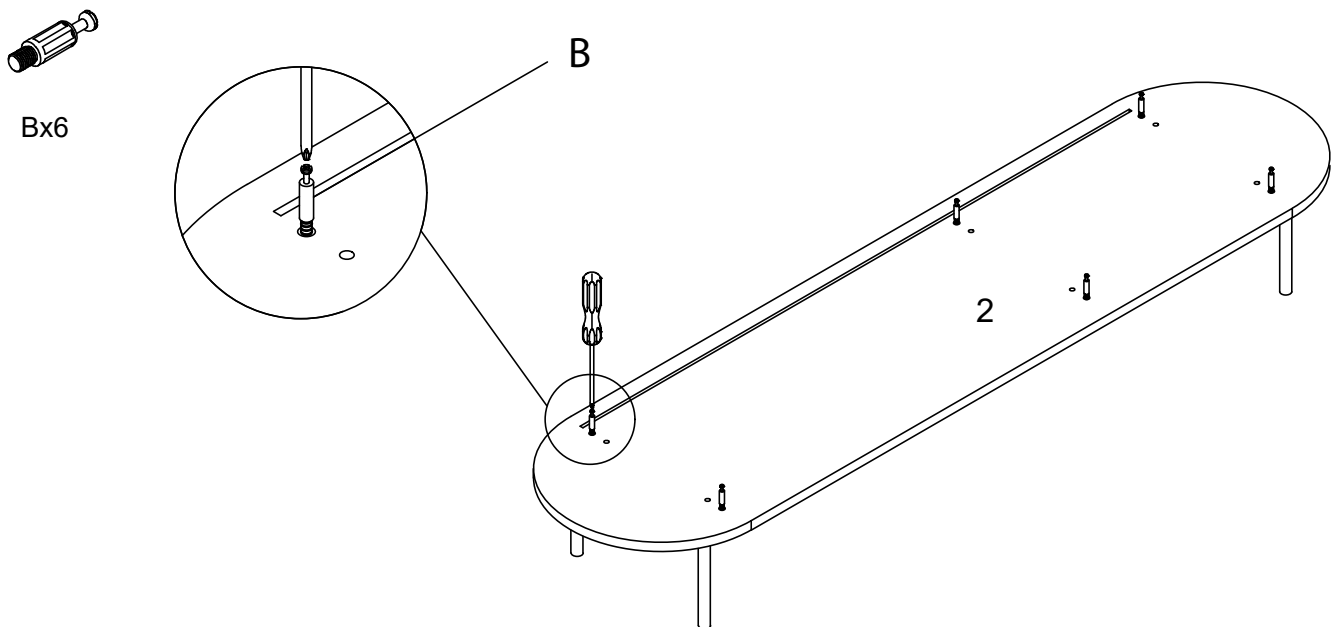
# KLAST

www.klasthome.com

## STEP 1



## STEP 2



# HELIOS

Ref: HT-0020

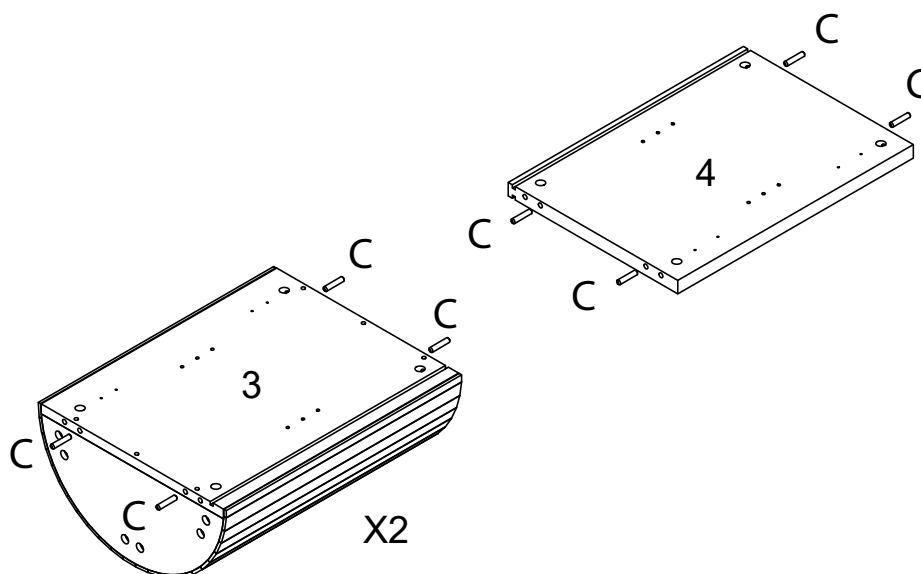
# KLAST

www.klasthome.com

## STEP 3



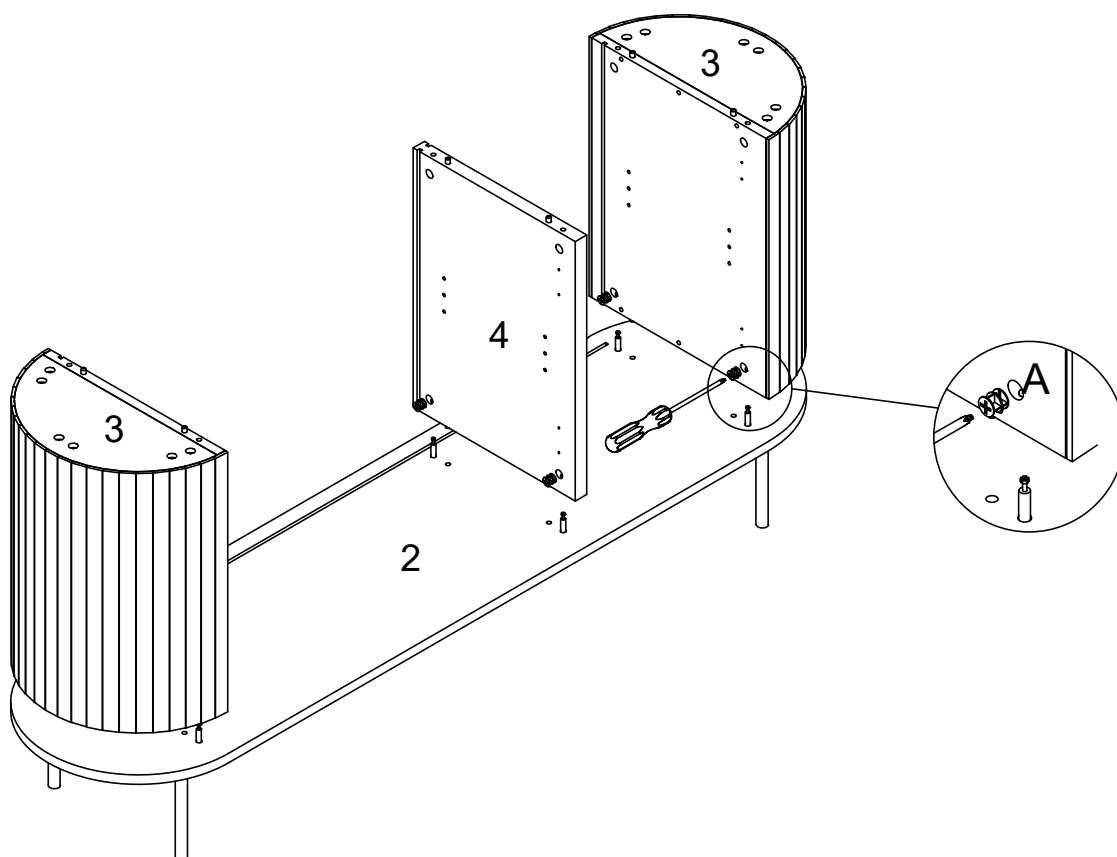
Cx12



## STEP 4



Ax6



# HELIOS

Ref: HT-0020

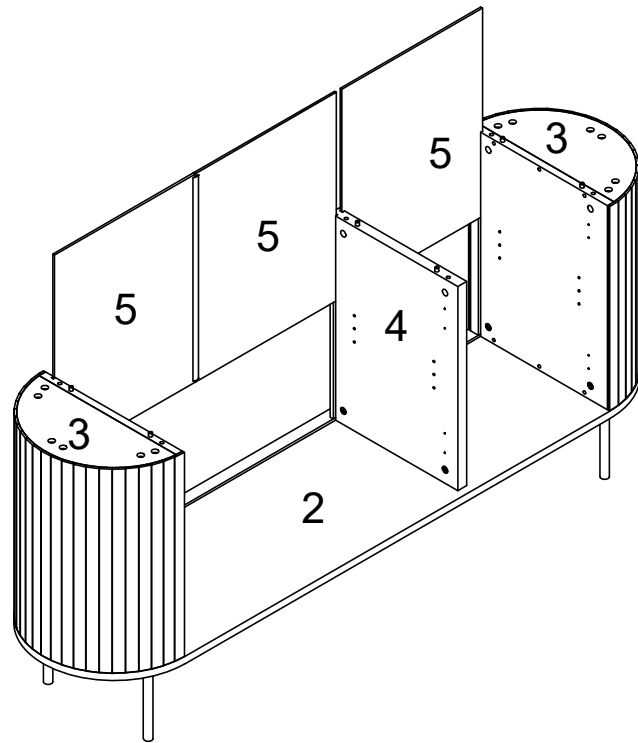
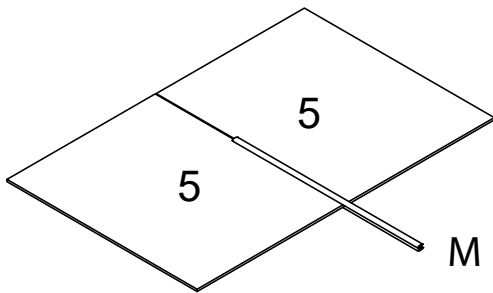
# KLAST

www.klasthome.com

## STEP 5



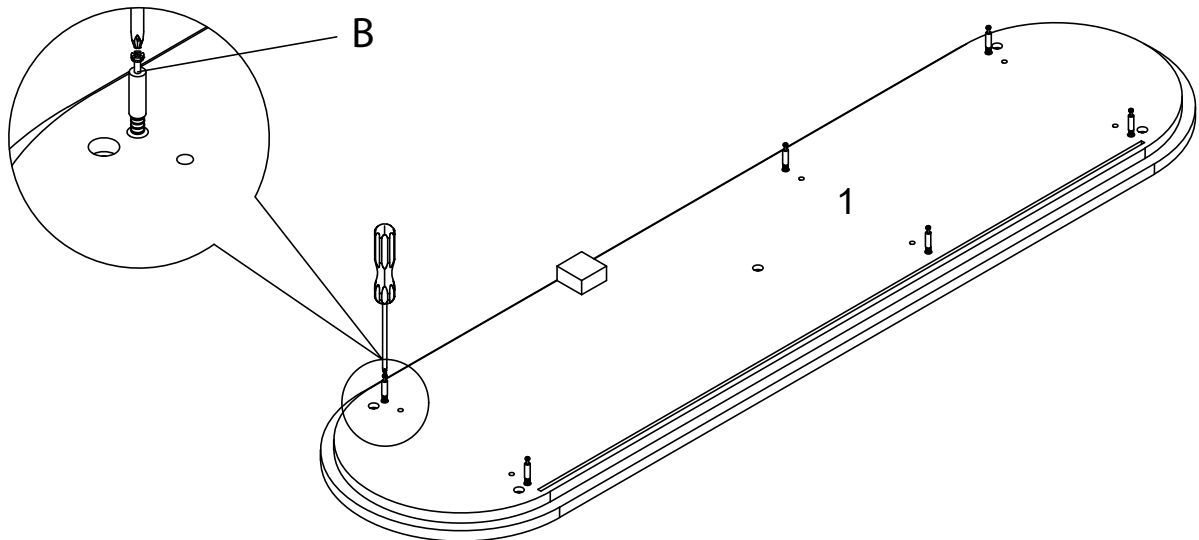
Mx1



## STEP 6



Bx6



# HELIOS

Ref: HT-0020

# KLAST

www.klasthome.com

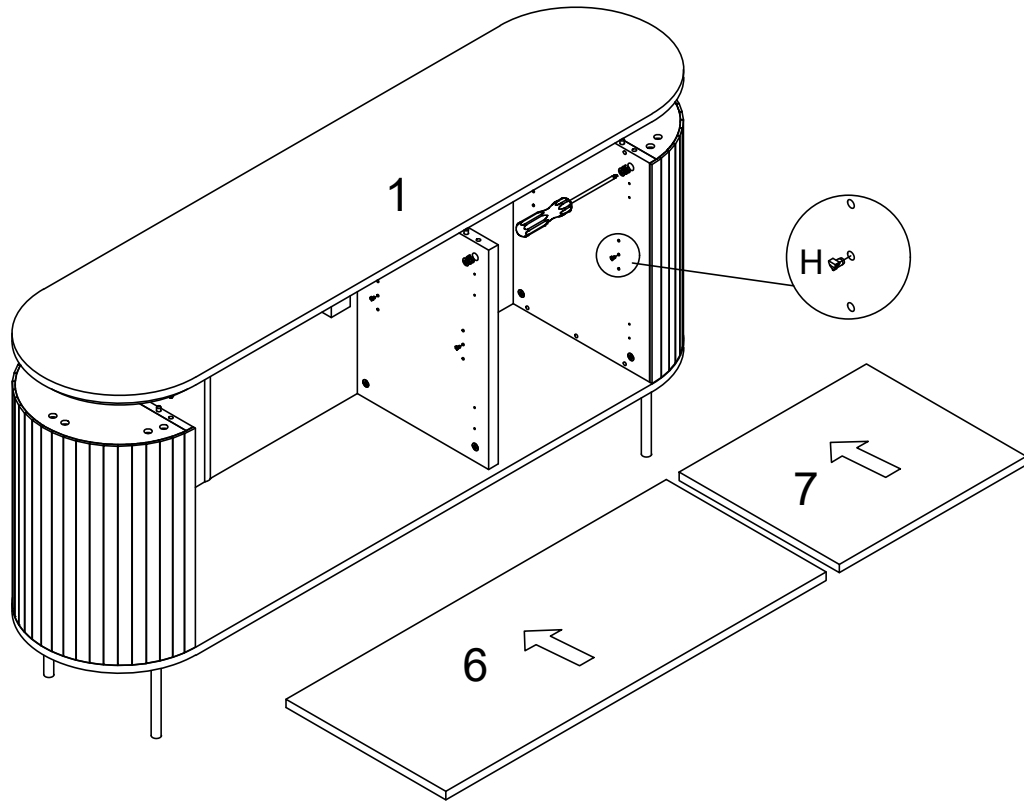
## STEP 7



Ax6



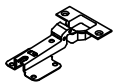
Hx8



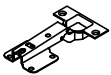
## STEP 8



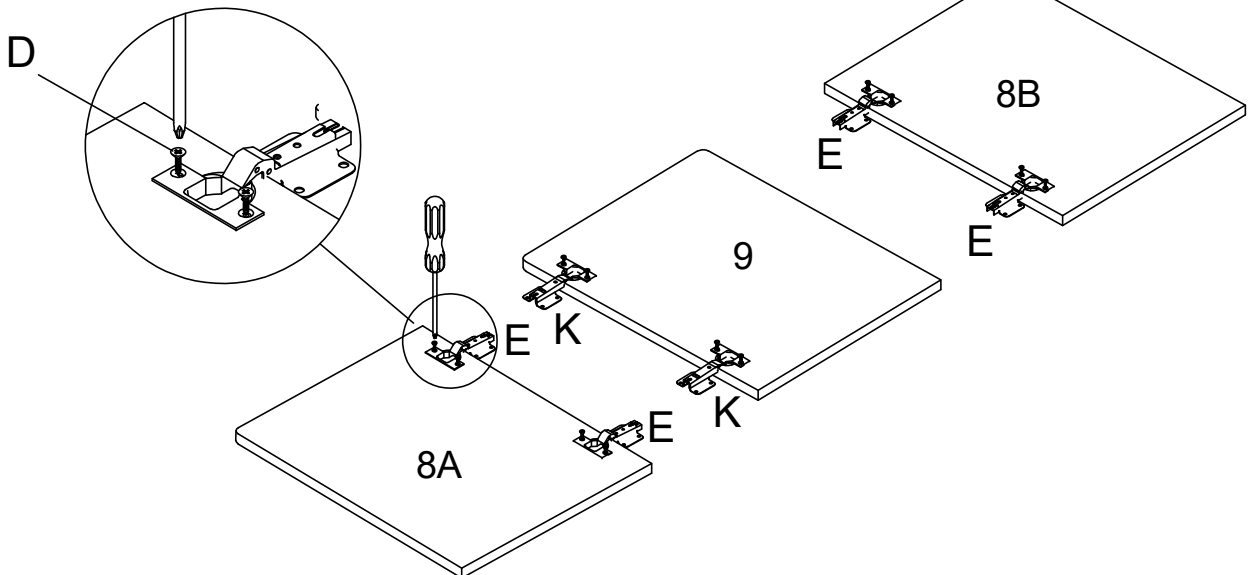
Dx12



Ex4



Kx2



# HELIOS

Ref: HT-0020



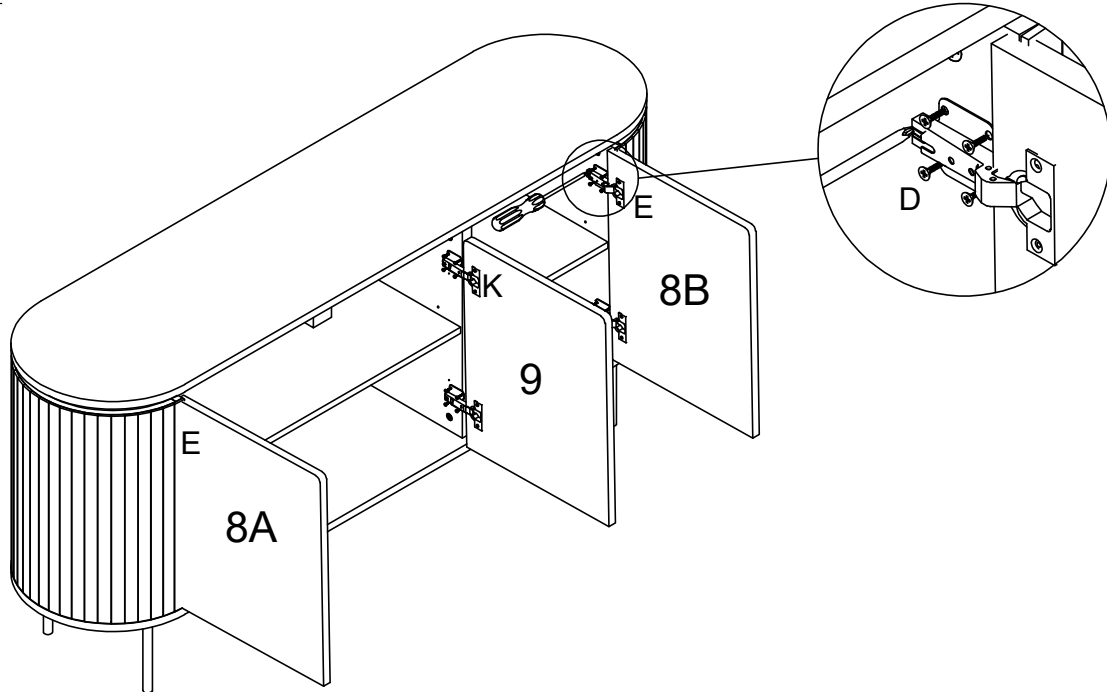
# KLAST

www.klasthome.com

## STEP 9



Dx24



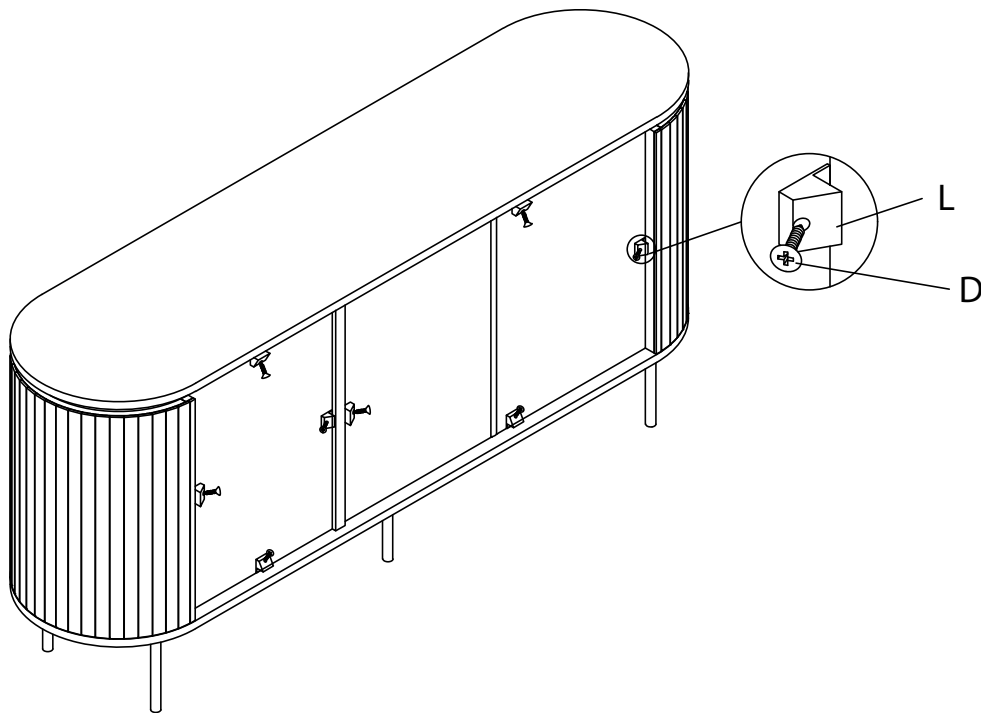
## STEP 10



Dx8



Lx8



# HELIOS

Ref: HT-0020

9/11

-V1.0-

# KLAST

www.klasthome.com

## STEP 11



Nx2

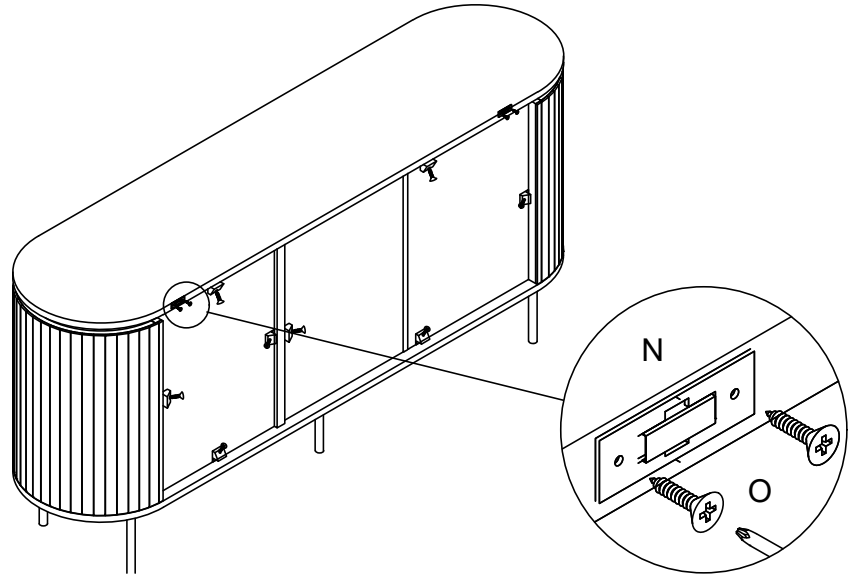


Ox4

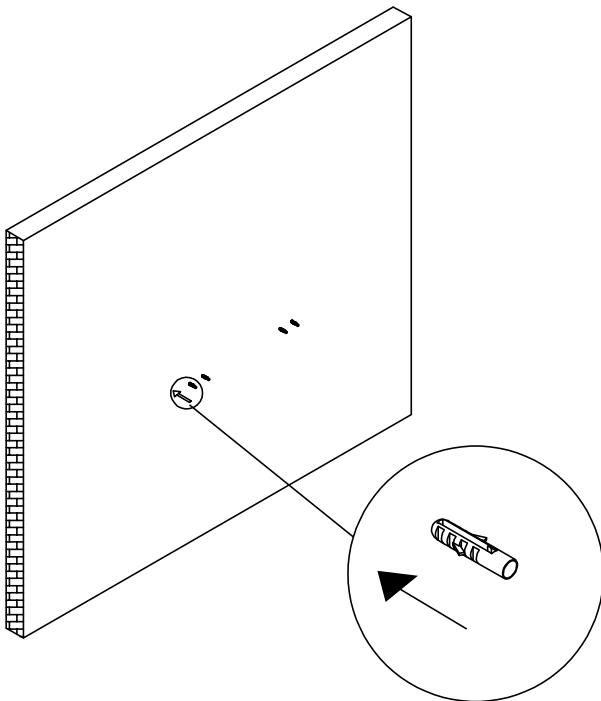
### OBLIGATORY FIX ON THE WALL

To prevent accidental tip-overs, it is mandatory to secure the furniture to the wall.

The required hardware for wall attachment is not included, as it depends on the type of wall.



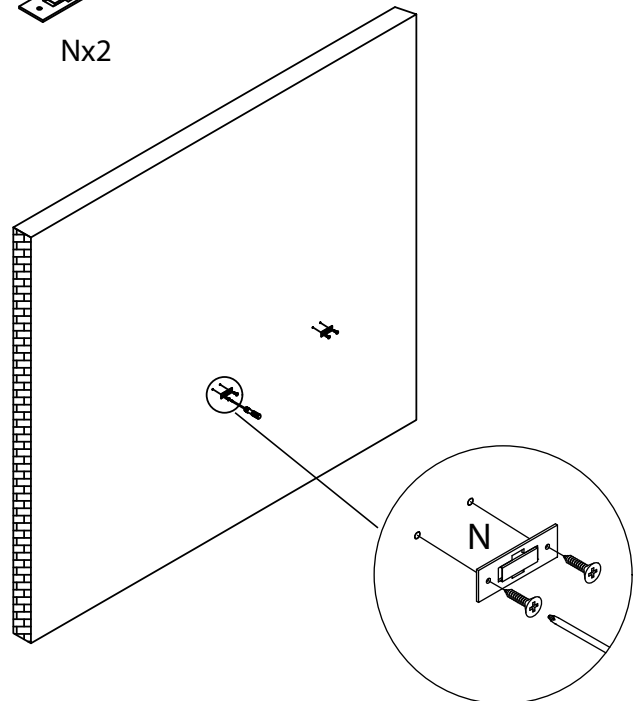
## STEP 12



## STEP 13



Nx2



# HELIOS

Ref: HT-0020

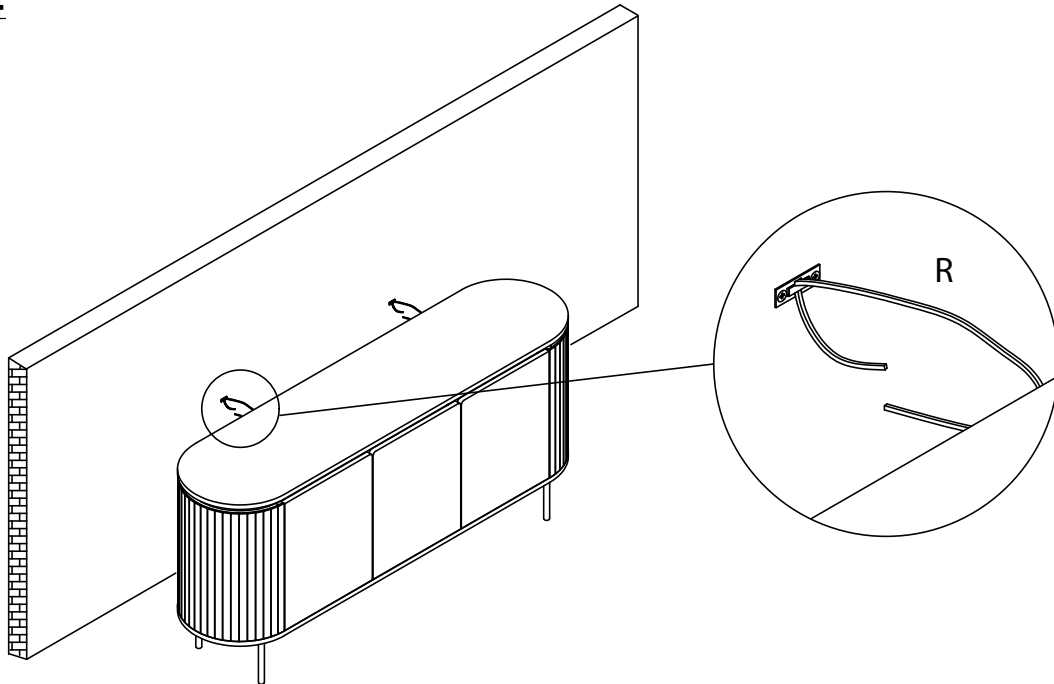
# KLAST

www.klasthome.com

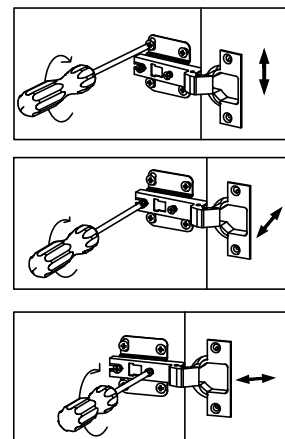
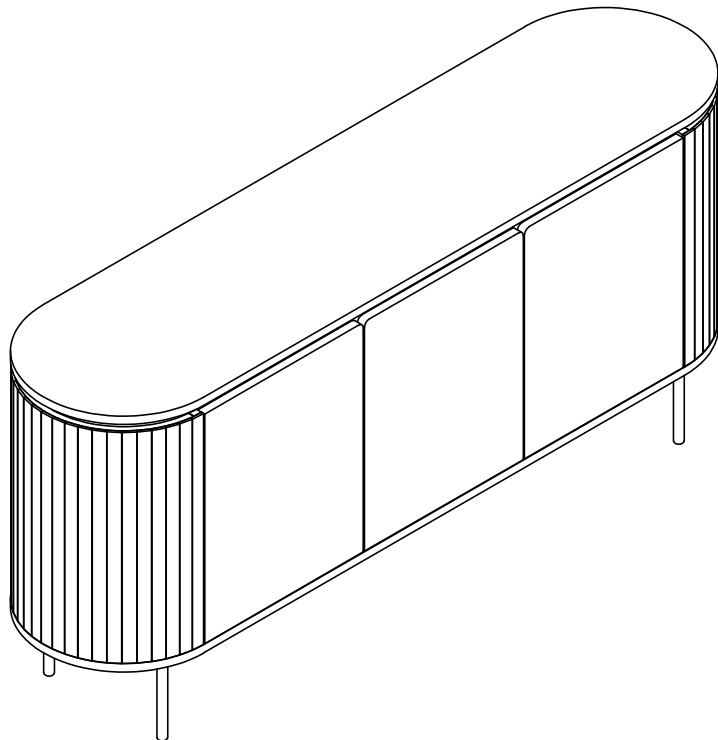
## STEP 14



Rx2



## STEP 15



# HELIOS

Ref: HT-0020