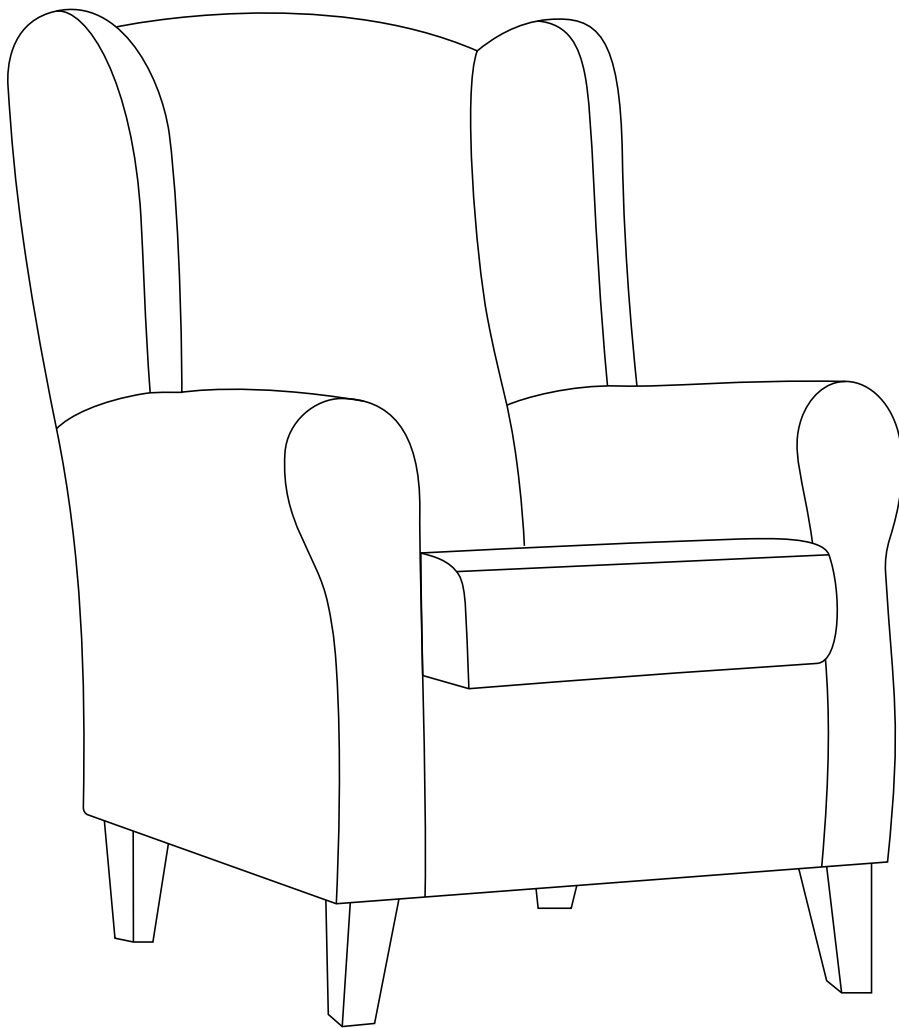


# KLAST

[www.klasthome.com](http://www.klasthome.com)



## ISABELA

Ref: LE-0001

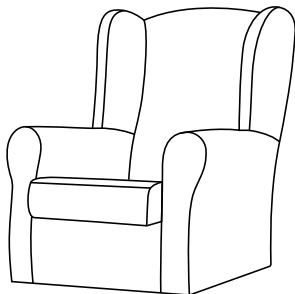
1/3

-V1.0-

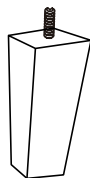
# KLAST

www.klasthome.com

## MATERIAL



① x1 UD

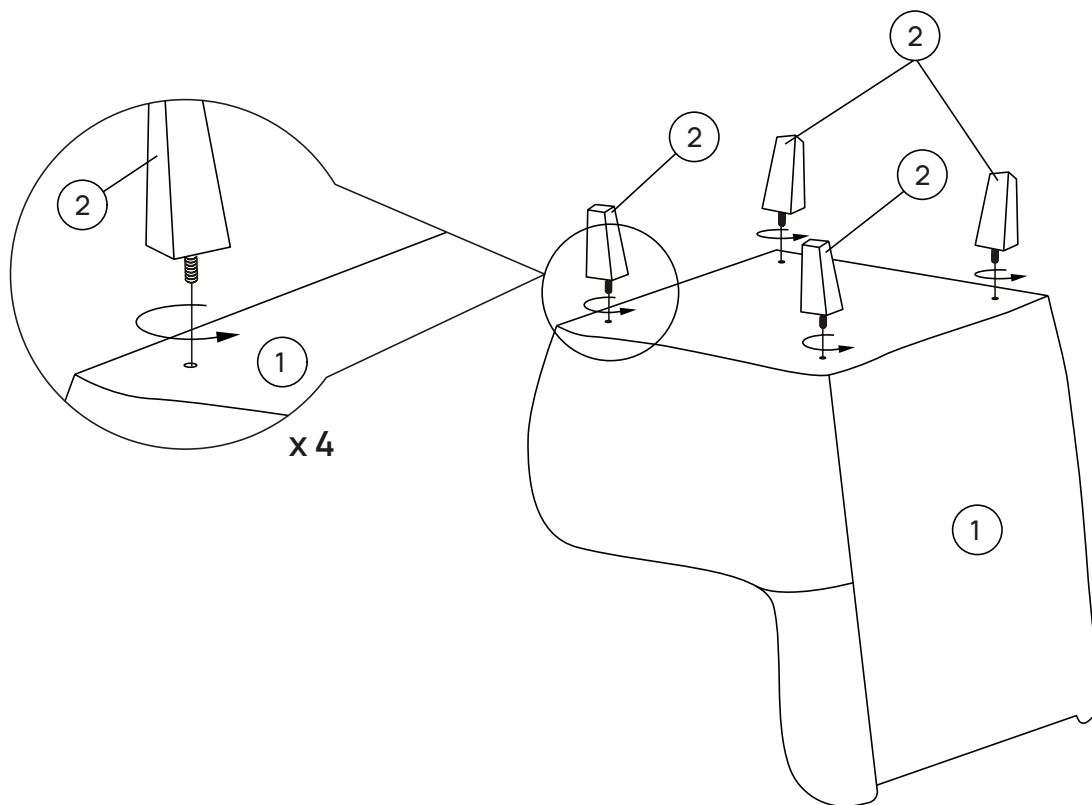


② x4 UD



Ⓐ x4 UD

## STEP 1



# ISABELA

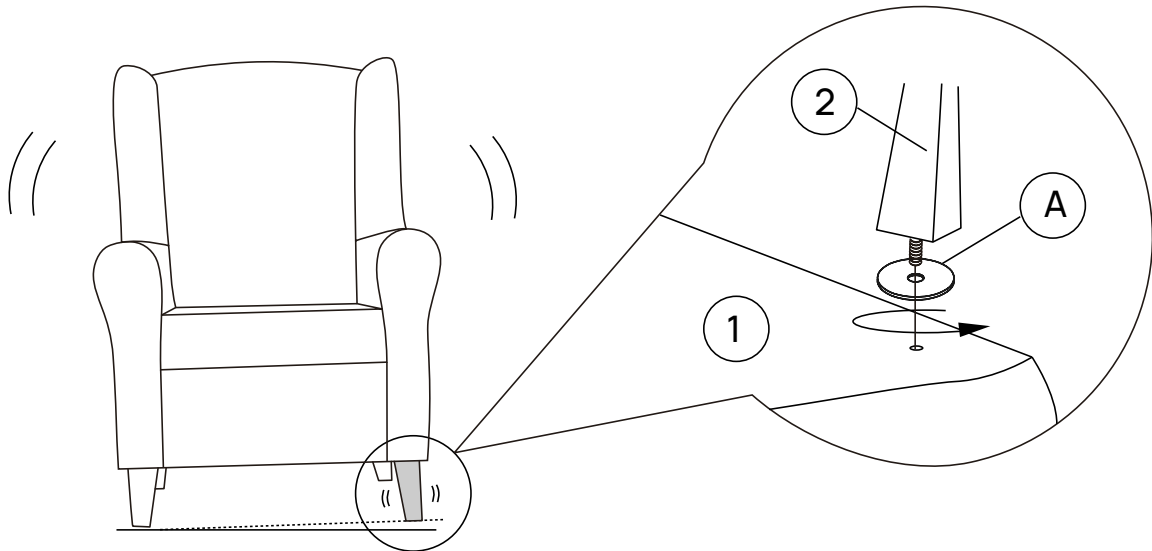
Ref: LE-0001

# KLAST

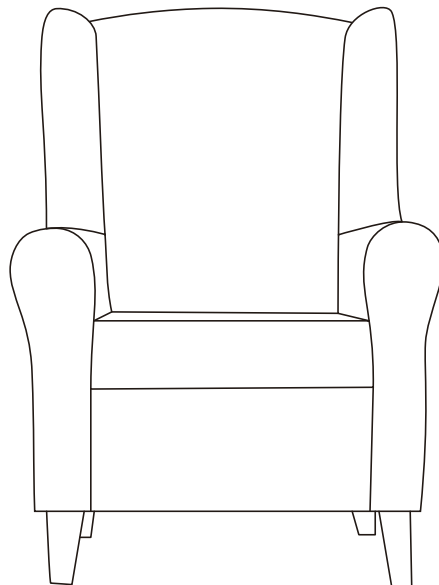
www.klasthome.com

## STEP 2

If there is incline, add piece A in the leg that has troubles.



## STEP 3



# ISABELA

Ref: LE-0001