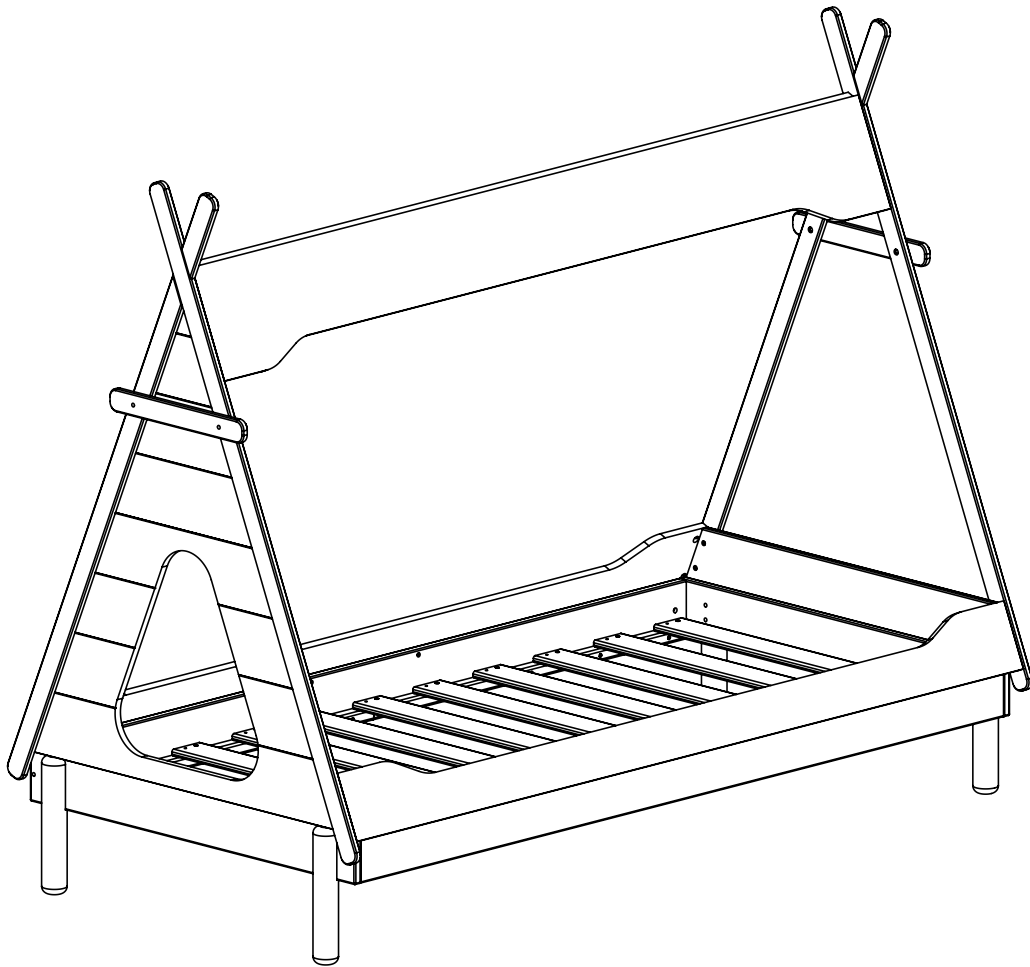


# KLAST

[www.klasthome.com](http://www.klasthome.com)



## NUNA

Ref:MC-0020

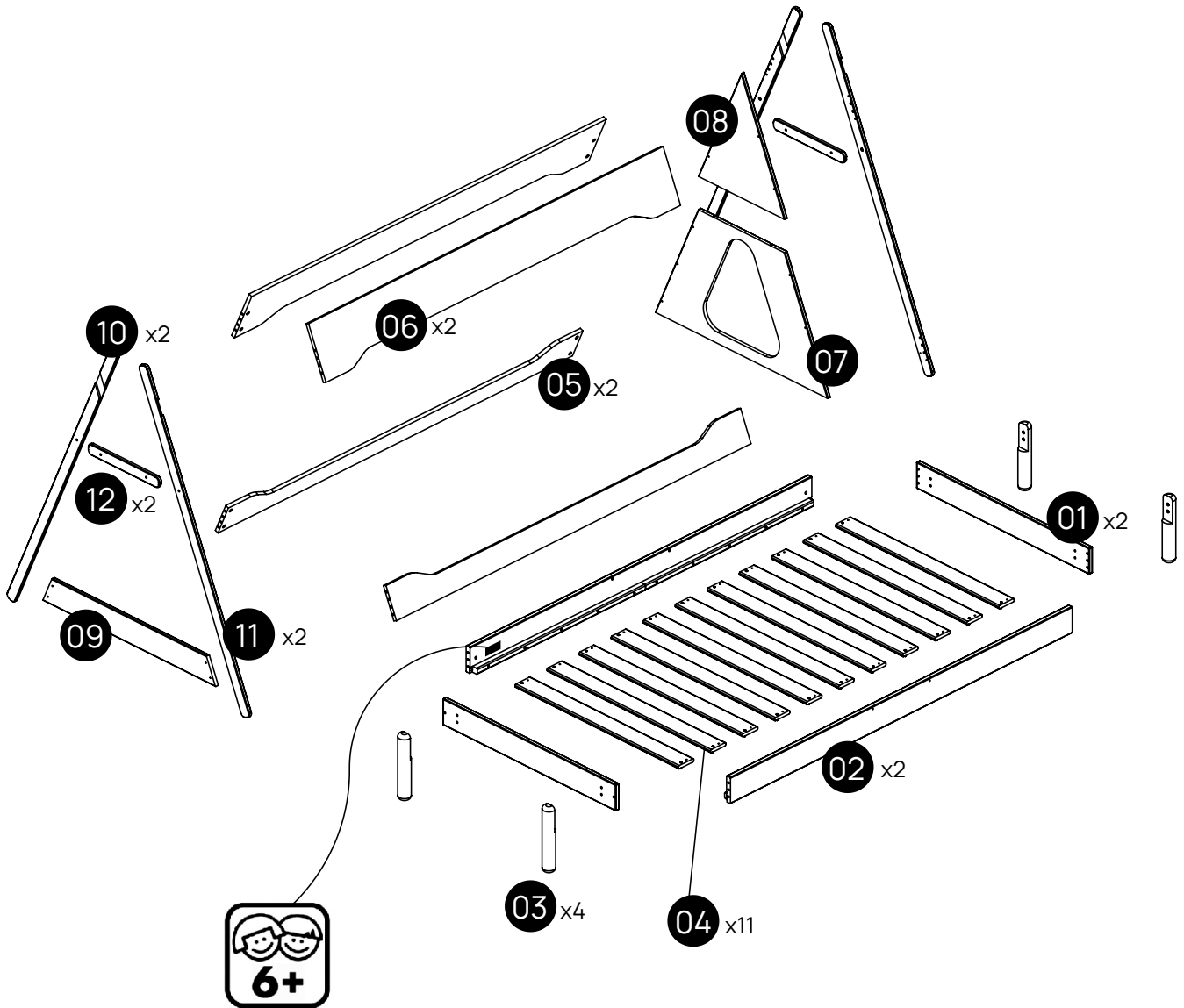
1/10

-V1.0-

# KLAST

www.klasthome.com

## MATERIAL



## NUNA

Ref:MC-0020

# KLAST

www.klasthome.com

## MATERIAL (1/2)



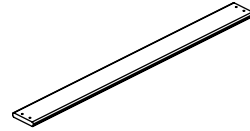
01 x2 PC



02 x2 PC



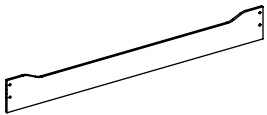
03 x4 PC



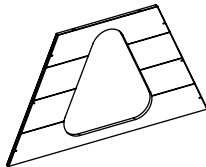
04 x11 PC



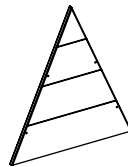
05 x2 PC



06 x2 PC



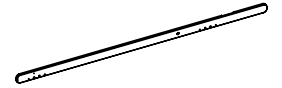
07 x1 PC



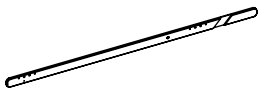
08 x1 PC



9 x1 PC



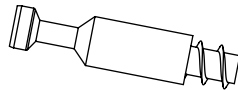
10 x2 PC



11 x2 PC



12 x2 PC



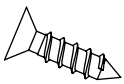
A x16 PC



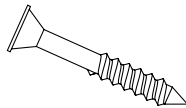
ø8x40 mm  
B x10 PC



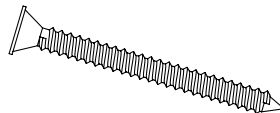
ø8x30 mm  
C x16 PC



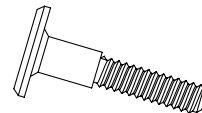
ø4x16 mm  
D x4 PC



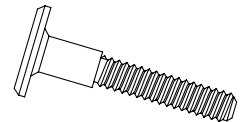
ø4.5x30 mm  
E x58 PC



ø4x40 mm  
F x4 PC



M6x25 mm  
G x4 PC



M6x35 mm  
H x8 PC

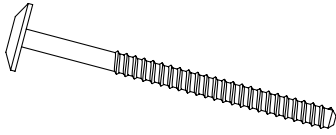
## NUNA

Ref:MC-0020

# KLAST

www.klasthome.com

## MATERIAL (2/2)



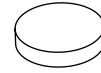
M6x70 mm  
I x4 PC



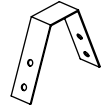
ø15 mm  
J x16 PC



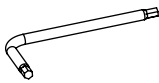
K x4 PC



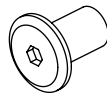
L x4 PC



M x1 PC

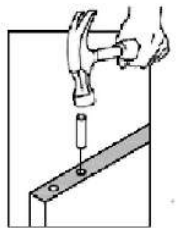
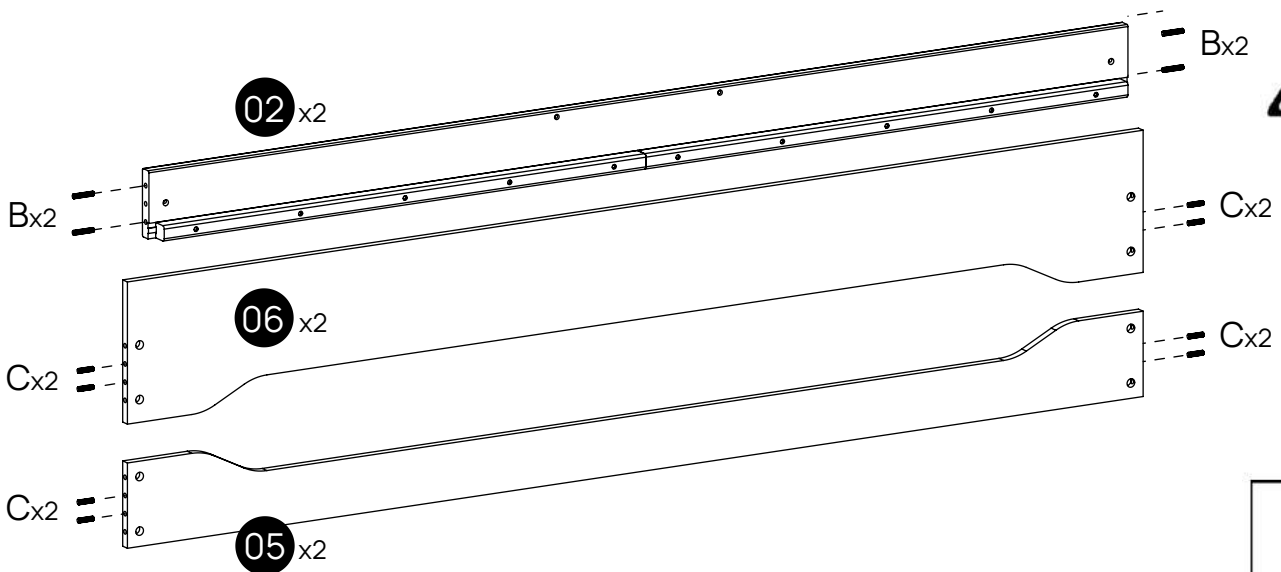


N x1 PC



O x2 PC

## STEP 1



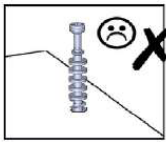
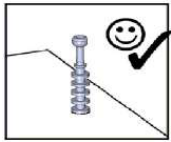
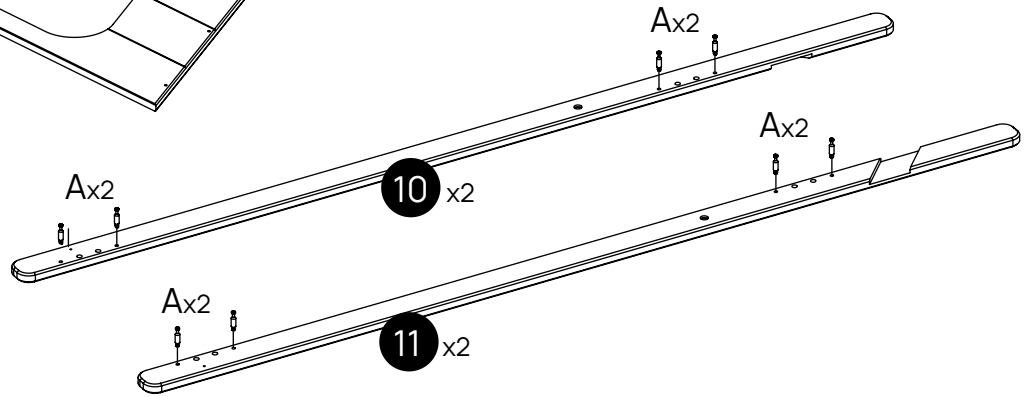
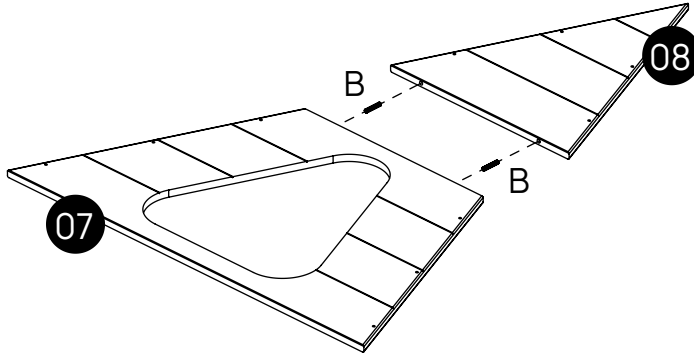
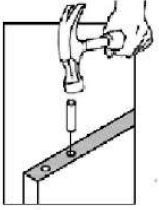
# NUNA

Ref:MC-0020

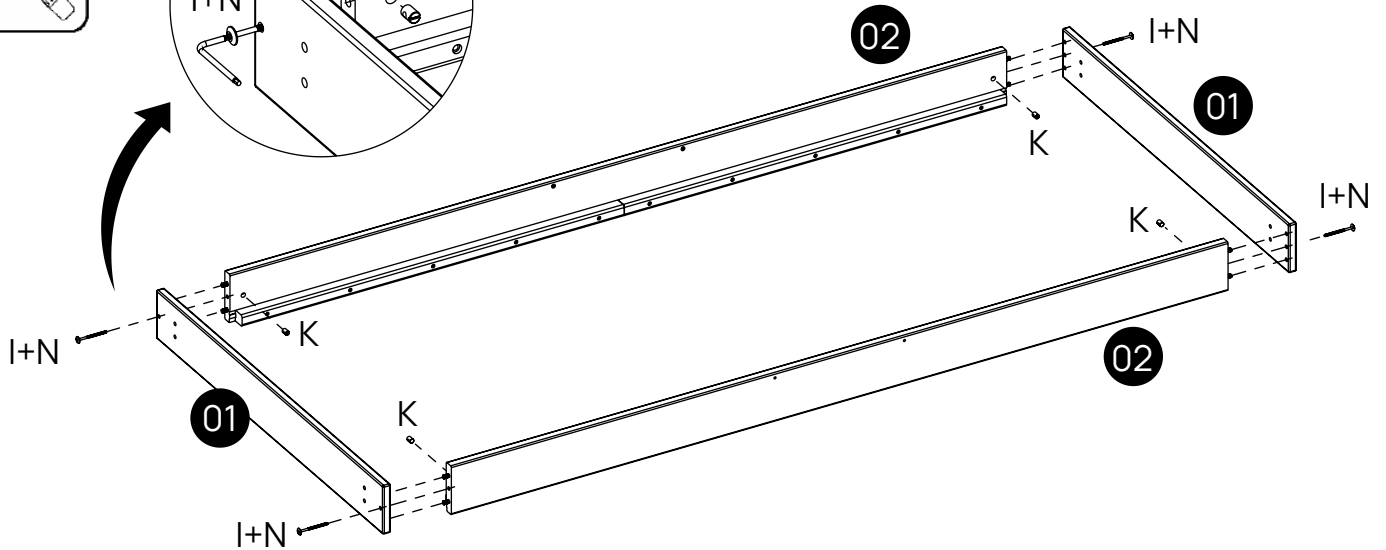
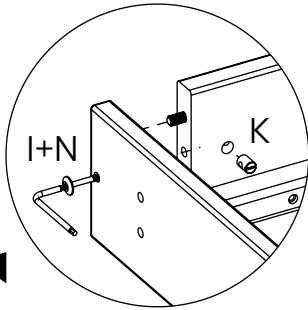
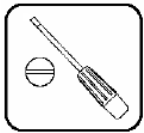
# KLAST

www.klasthome.com

## STEP 2



## STEP 3



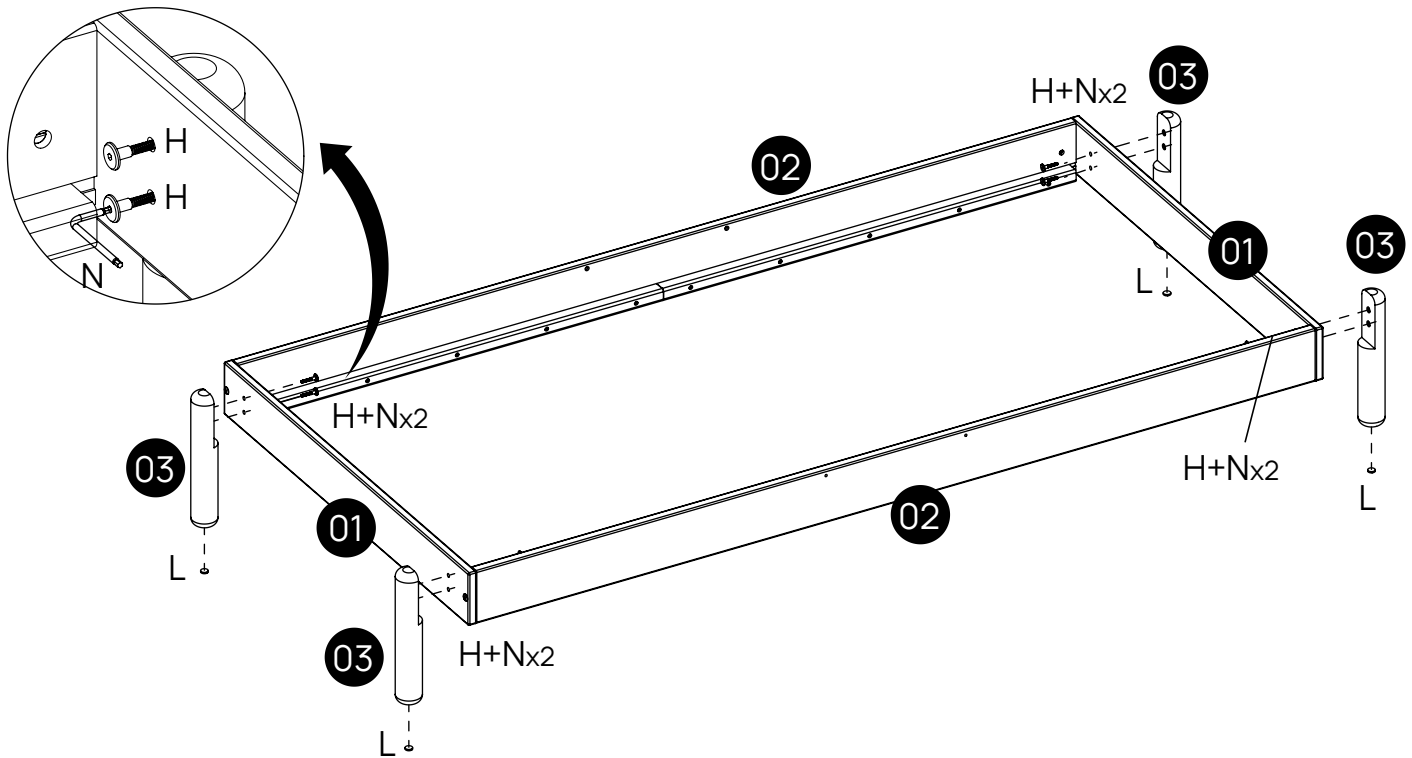
# NUNA

Ref:MC-0020

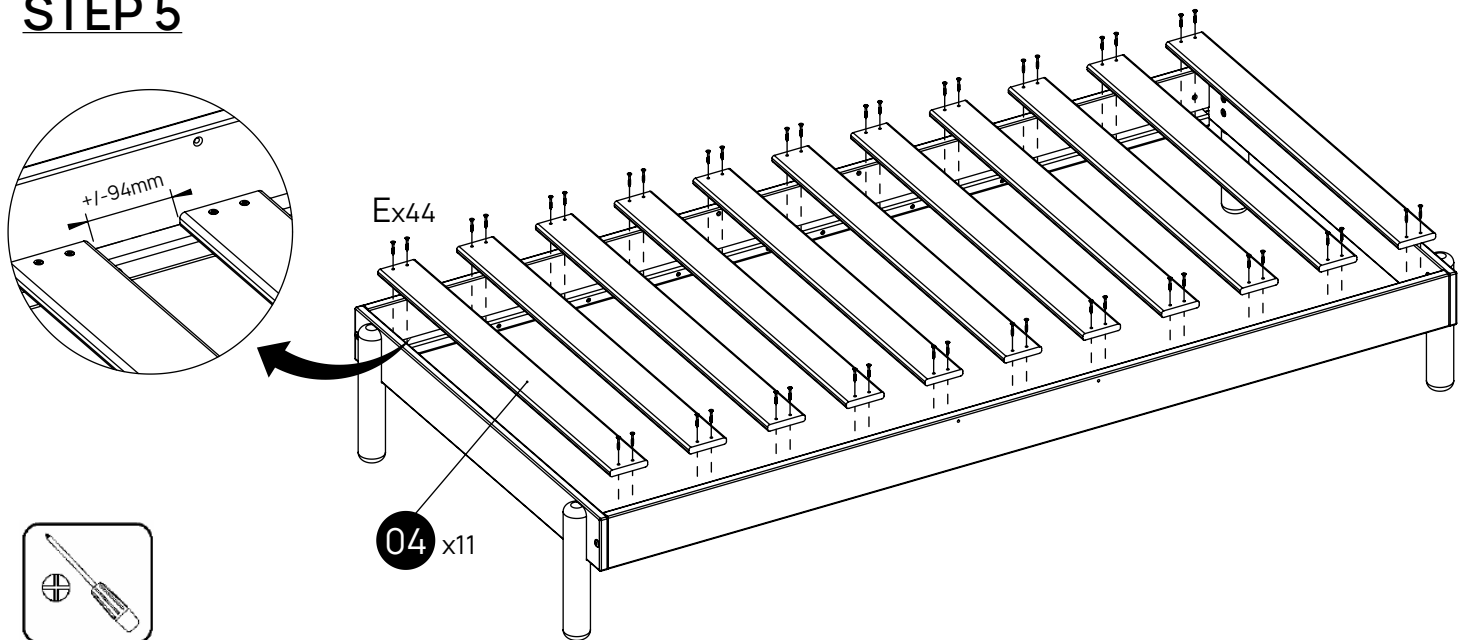
# KLAST

www.klathome.com

## STEP 4



## STEP 5



# NUNA

Ref:MC-0020

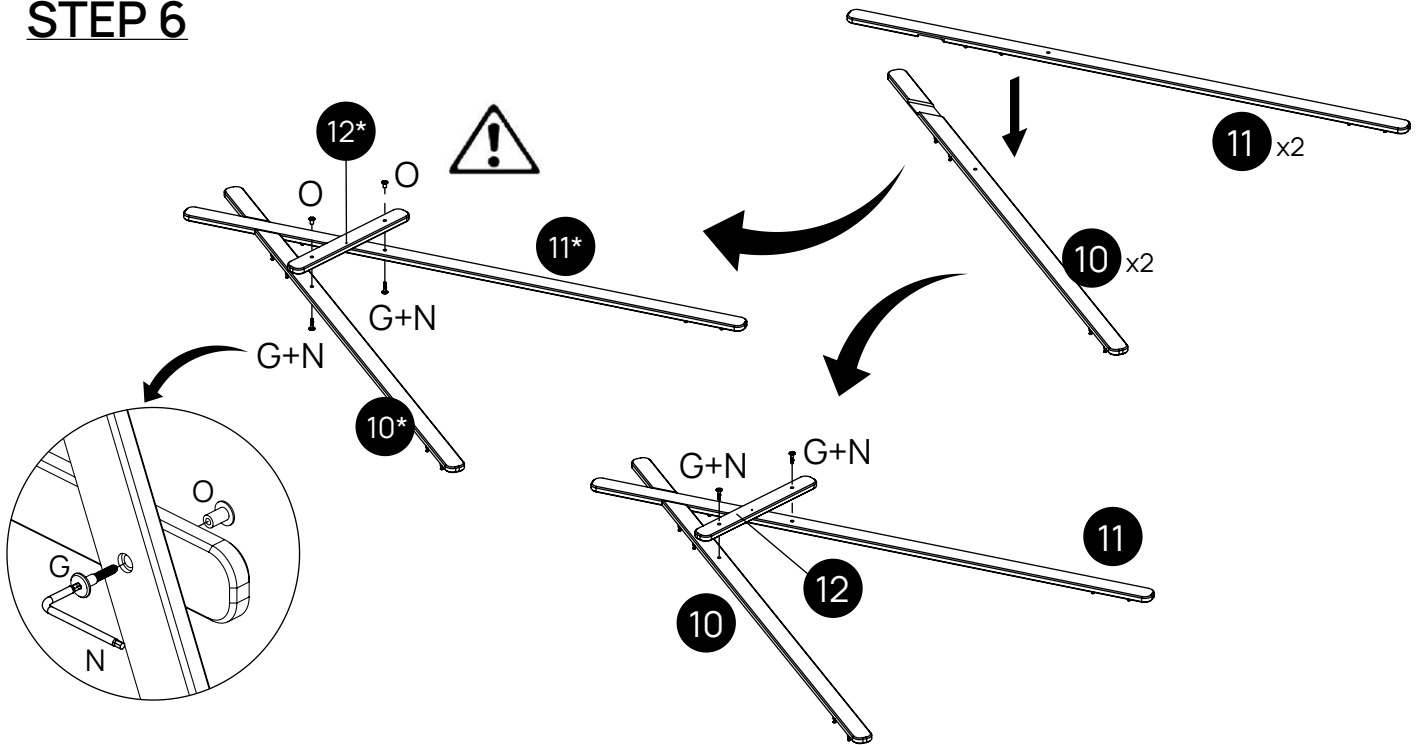
6/10

-V1.0-

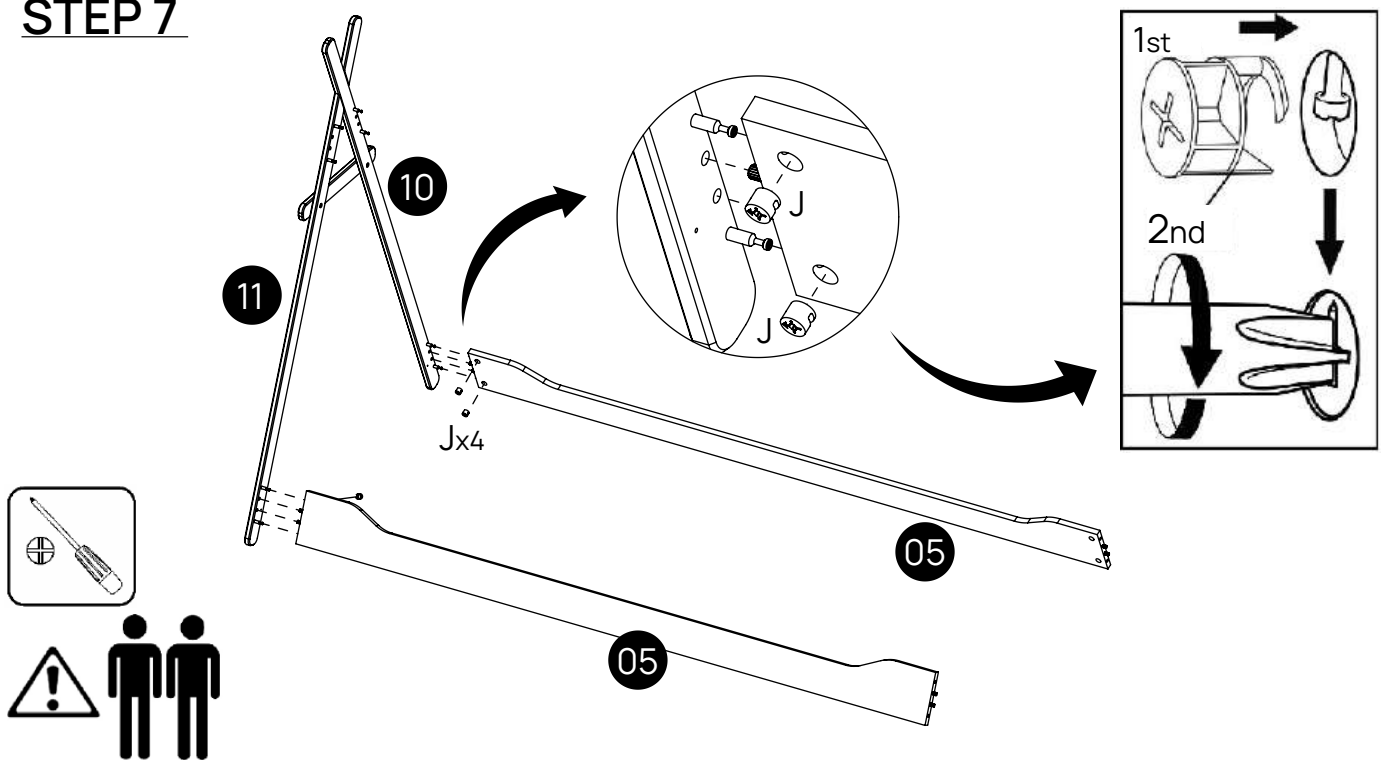
# KLAST

www.klasthome.com

## STEP 6



## STEP 7



# NUNA

Ref:MC-0020

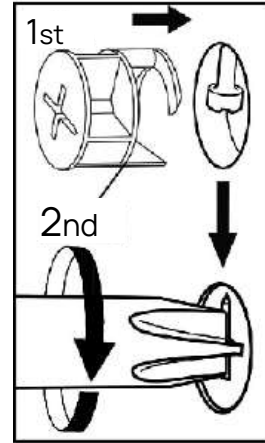
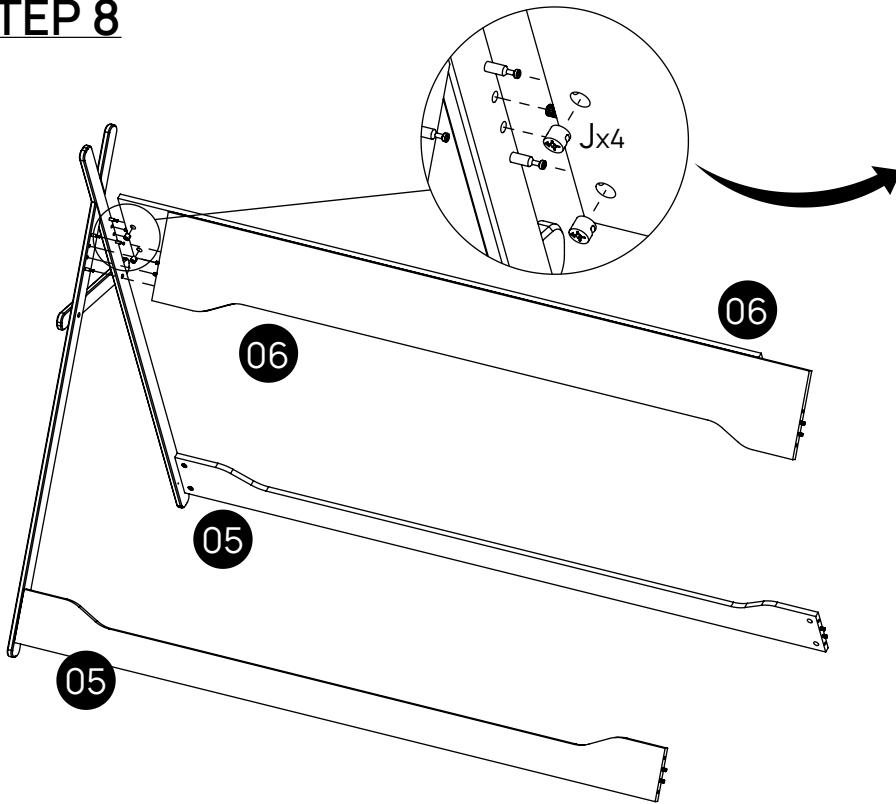
7/10

-V1.0-

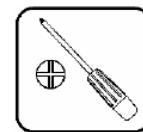
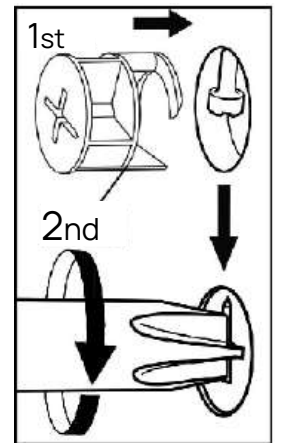
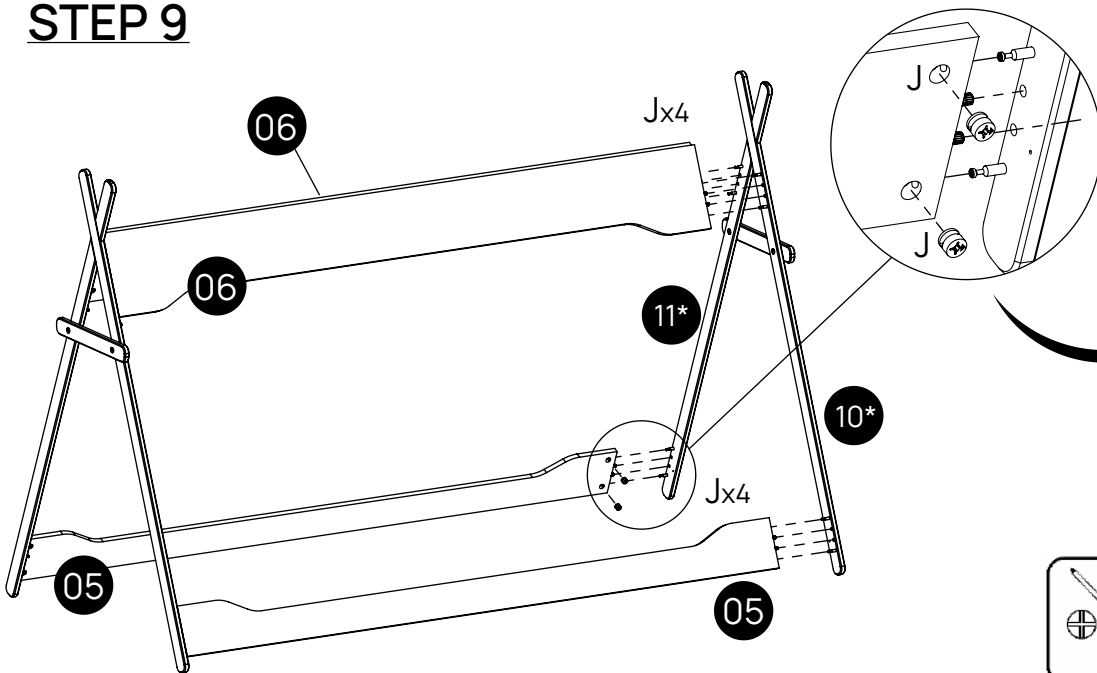
# KLAST

www.klathome.com

## STEP 8



## STEP 9



# NUNA

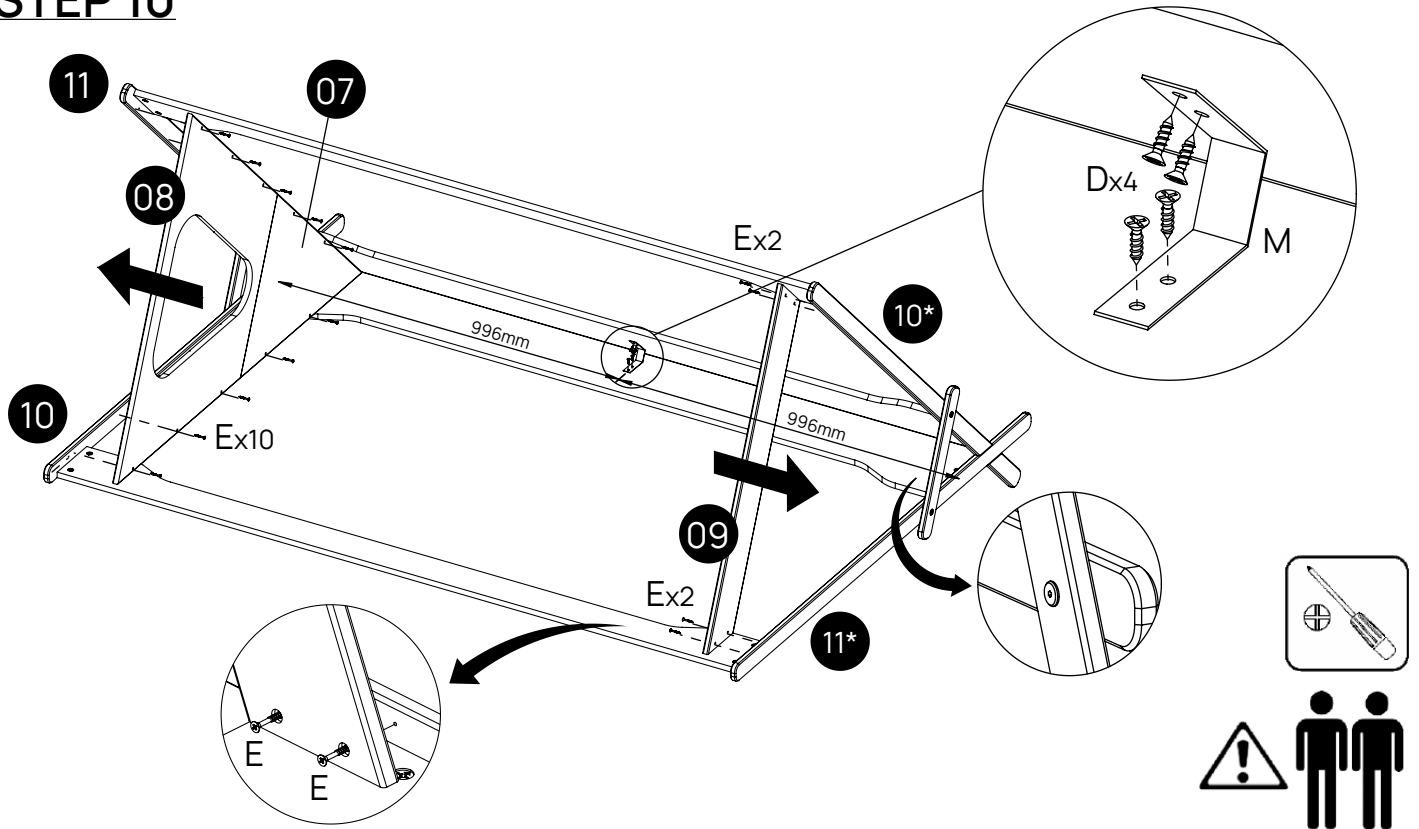
Ref:MC-0020



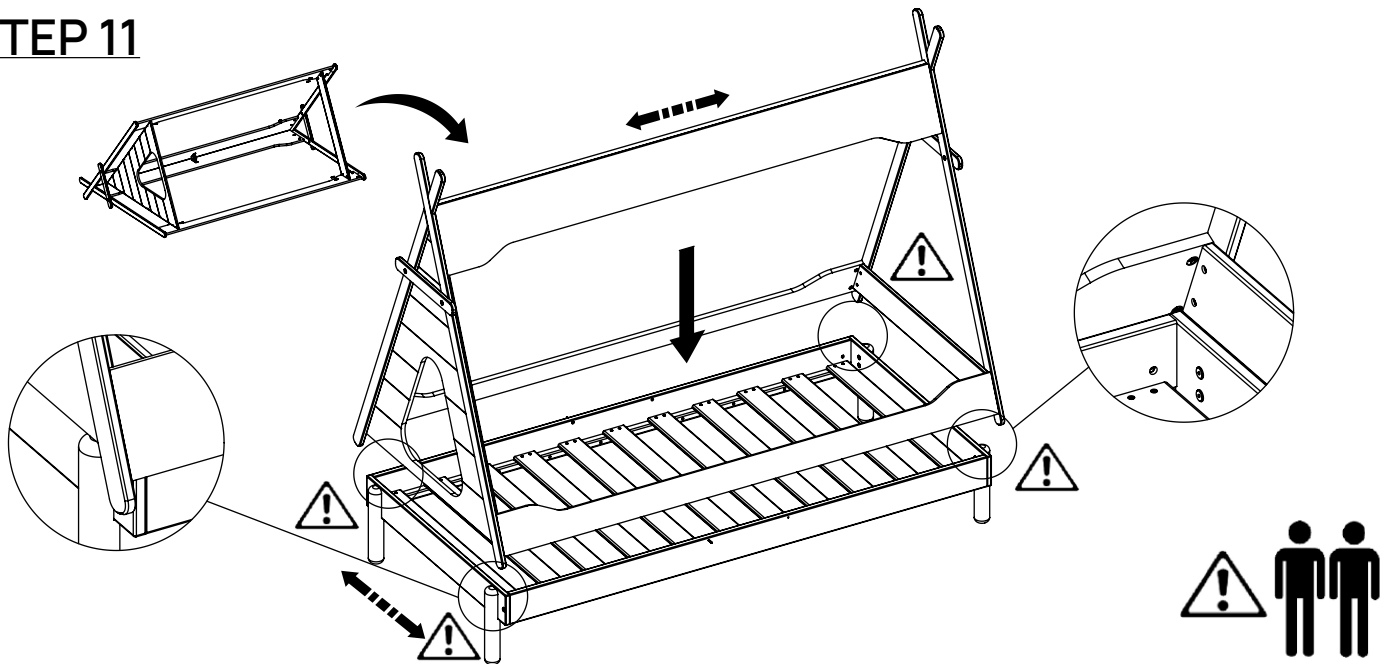
# KLAST

www.klathome.com

## STEP 10



## STEP 11



# NUNA

Ref:MC-0020

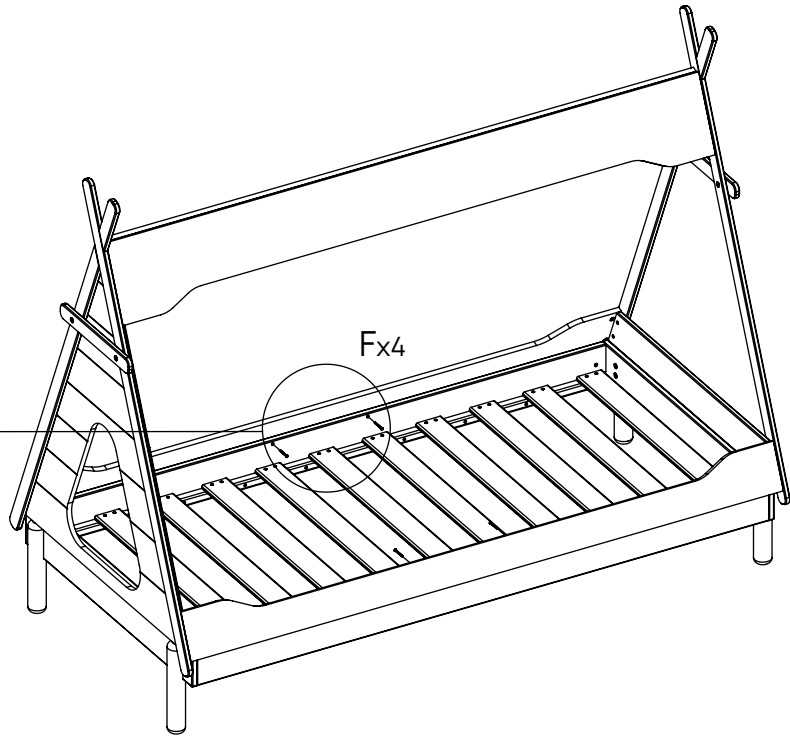
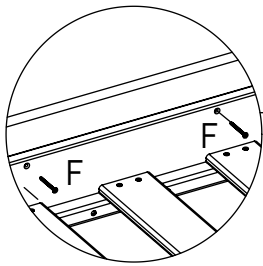
9/10

-V1.0-

# KLAST

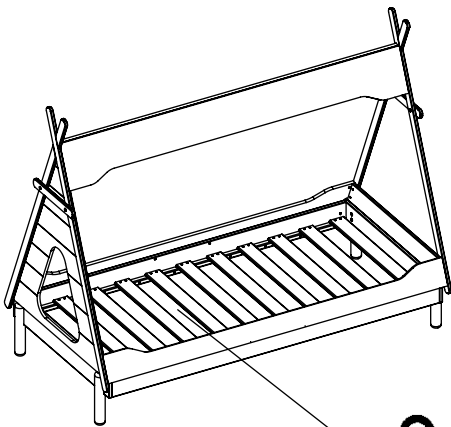
www.klathome.com

## STEP 12

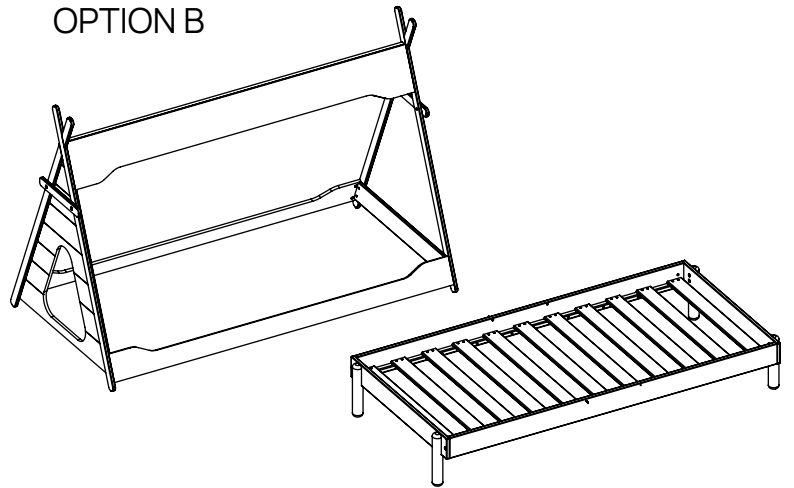


## STEP 13

OPTION A



OPTION B



# NUNA

Ref:MC-0020

10/10

-V1.0-