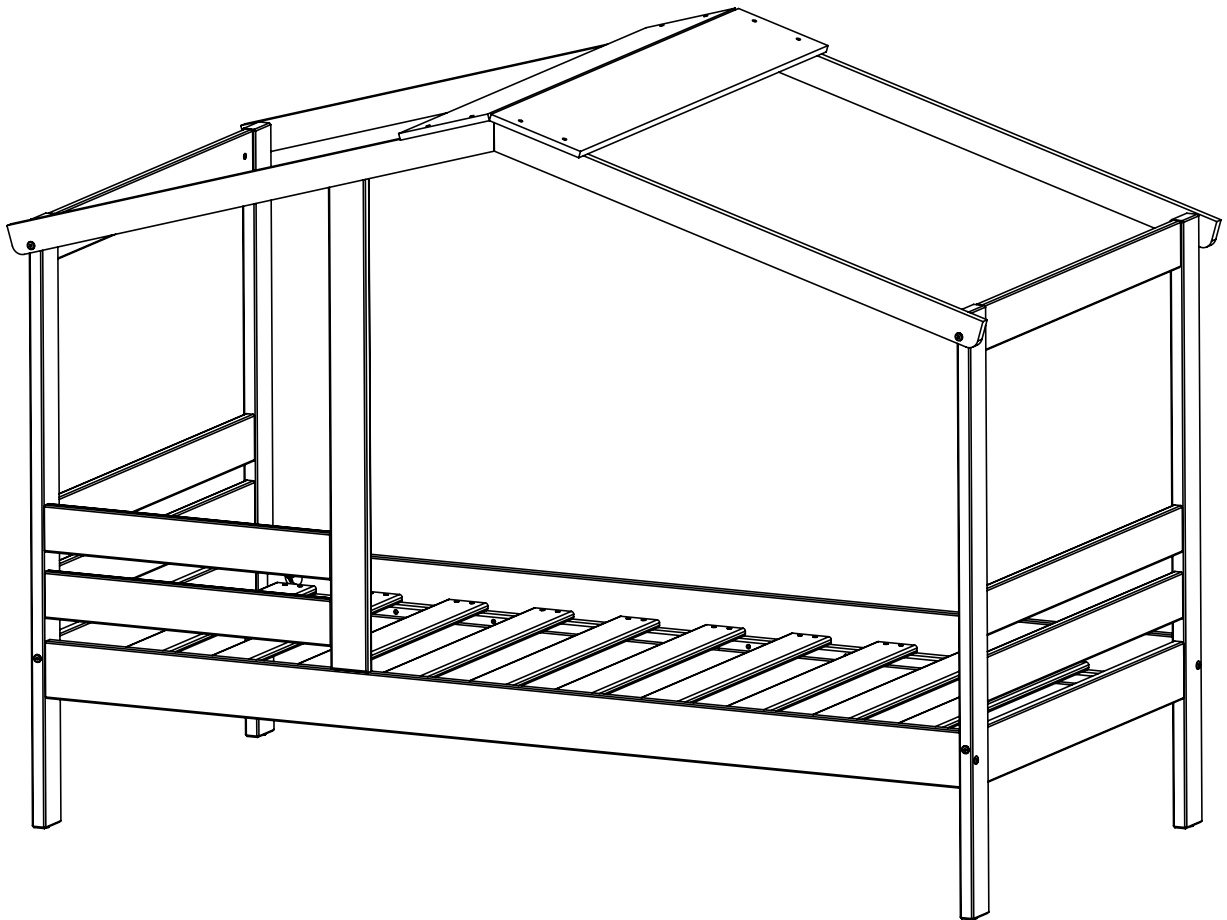


KLAST

www.klasthome.com



LIOR

Ref:MC-0021

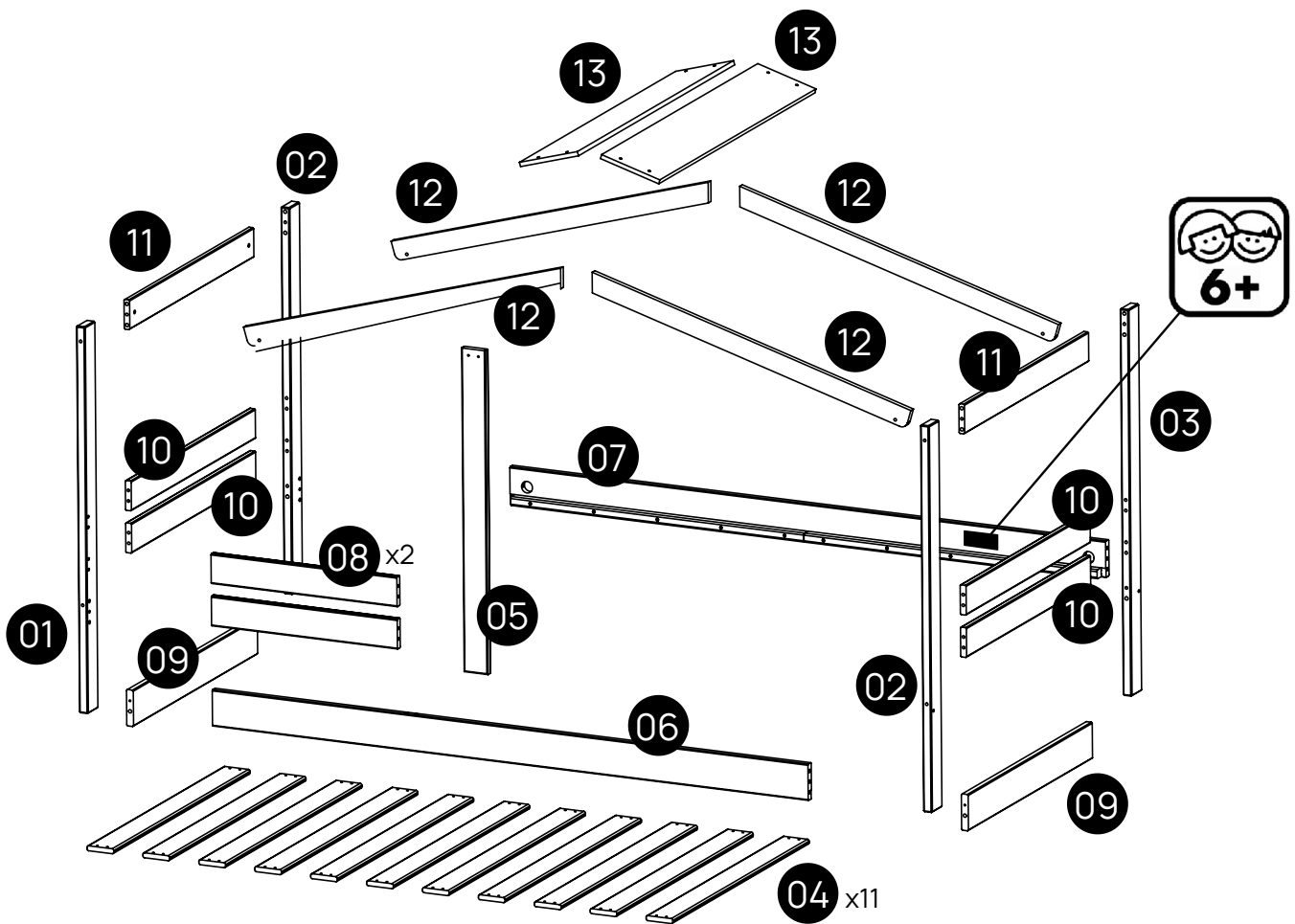
1/9

-V1.0-

KLAST

www.klasthome.com

MATERIAL



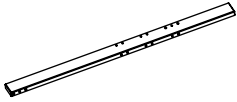
LIOR

Ref:MC-0021

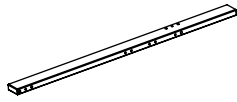
KLAST

www.klasthome.com

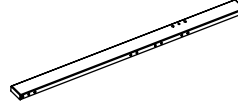
MATERIAL (1/2)



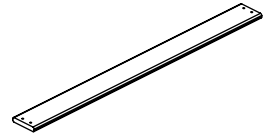
01 x1 PC



02 x2 PC



03 x1 PC



04 x11 PC



05 x1 PC



06 x1 PC



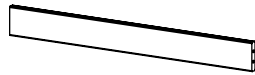
07 x1 PC



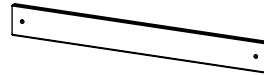
08 x2 PC



09 x2 PC



10 x4 PC



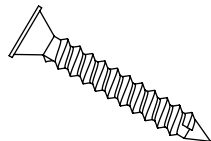
11 x2 PC



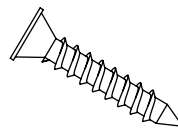
12 x4 PC



13 x2 PC



ø4x30 mm
A x2 PC



ø4x25 mm
B x8 PC



C x4 PC

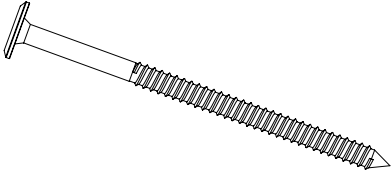
LIOR

Ref:MC-0021

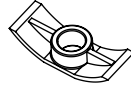
KLAST

www.klasthome.com

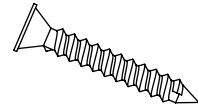
MATERIAL (2/2)



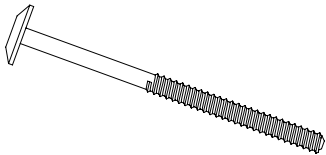
ø6.2x100 mm
D x4 PC



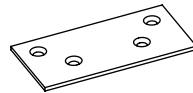
E x4 PC



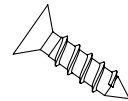
ø4.5x30 mm
F x44 PC



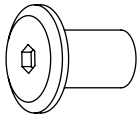
M6x80 mm
G x4 PC



H x2 PC



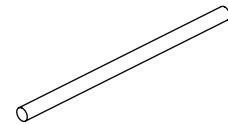
ø4x16 mm
I x8 PC



J x4 PC



K x4 PC



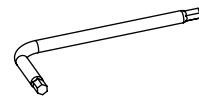
M6x120 mm
L x4 PC



ø8x30 mm
M x24 PC



ø10x40 mm
N x22 PC



O x1 PC

LIOR

Ref:MC-0021

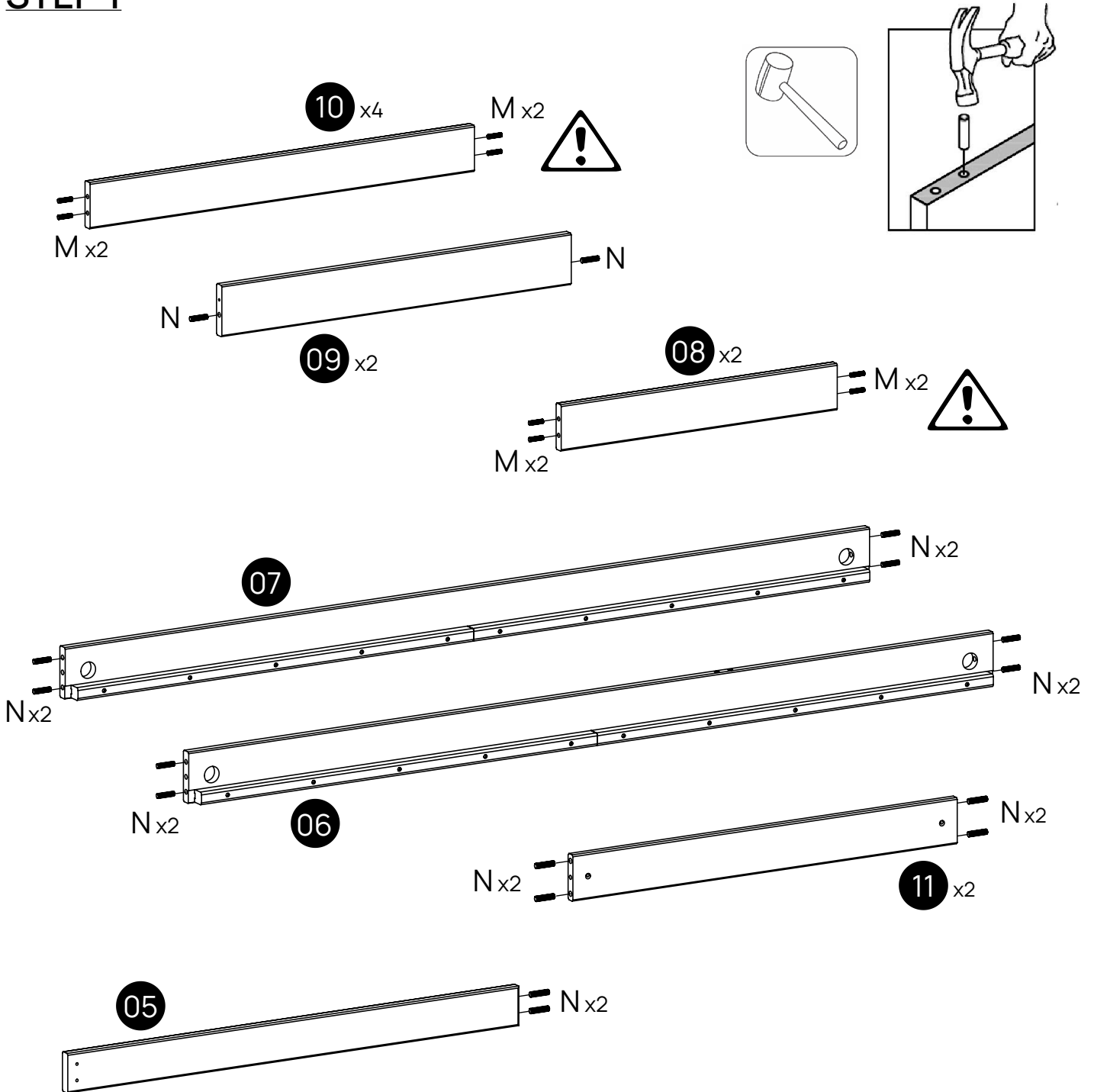
4/9

-V1.0-

KLAST

www.klasthome.com

STEP 1



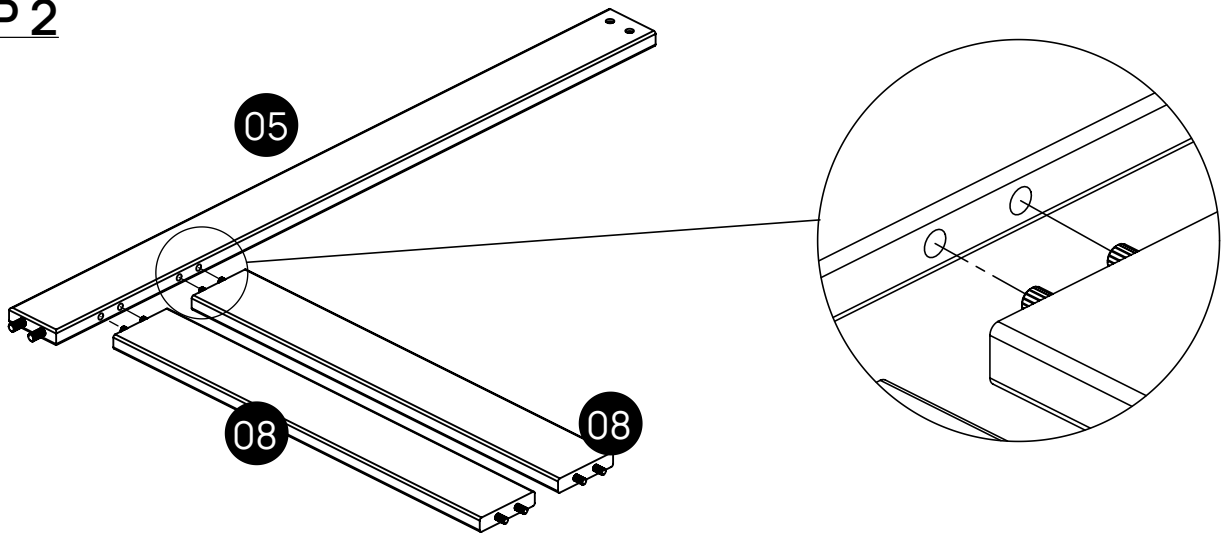
LIOR

Ref:MC-0021

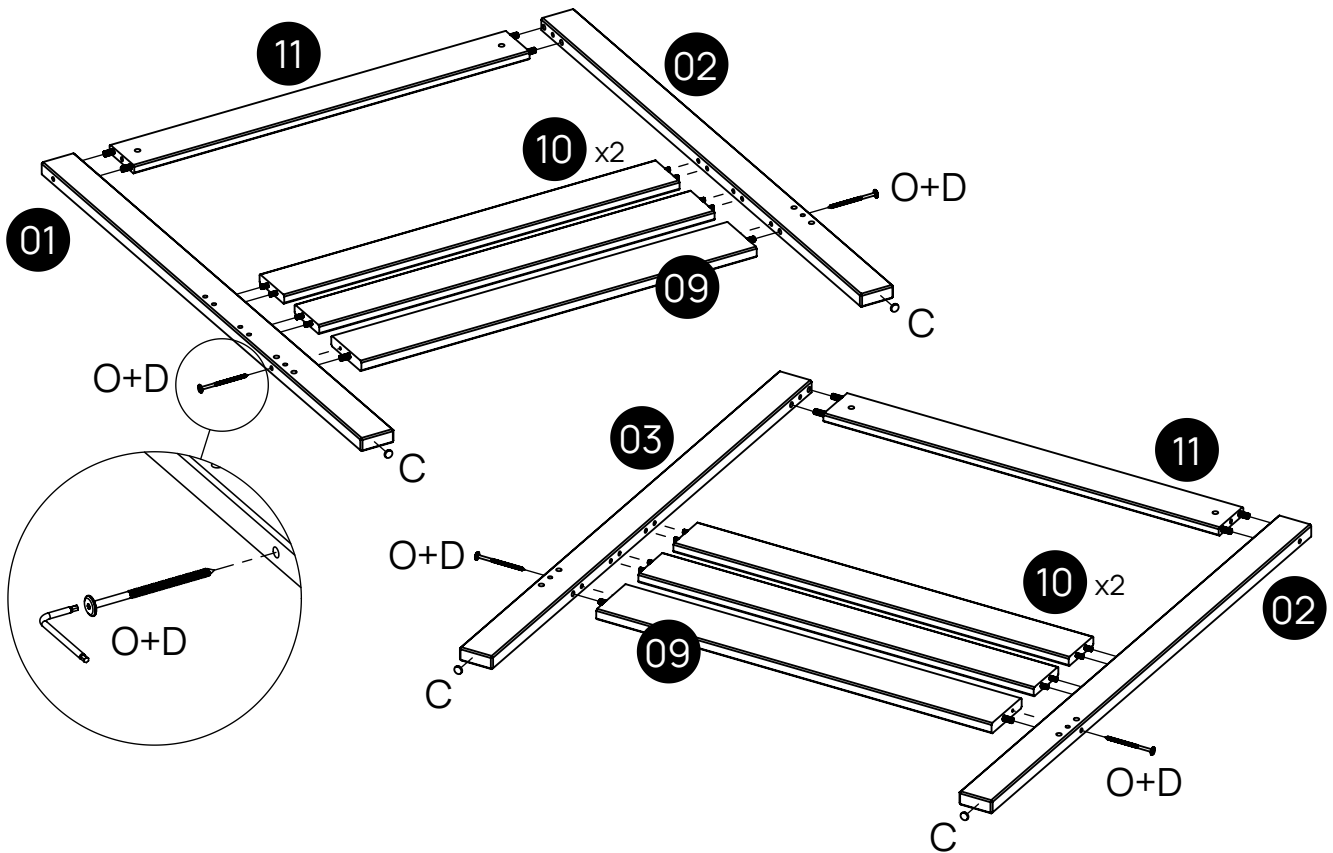
KLAST

www.klasthome.com

STEP 2



STEP 3



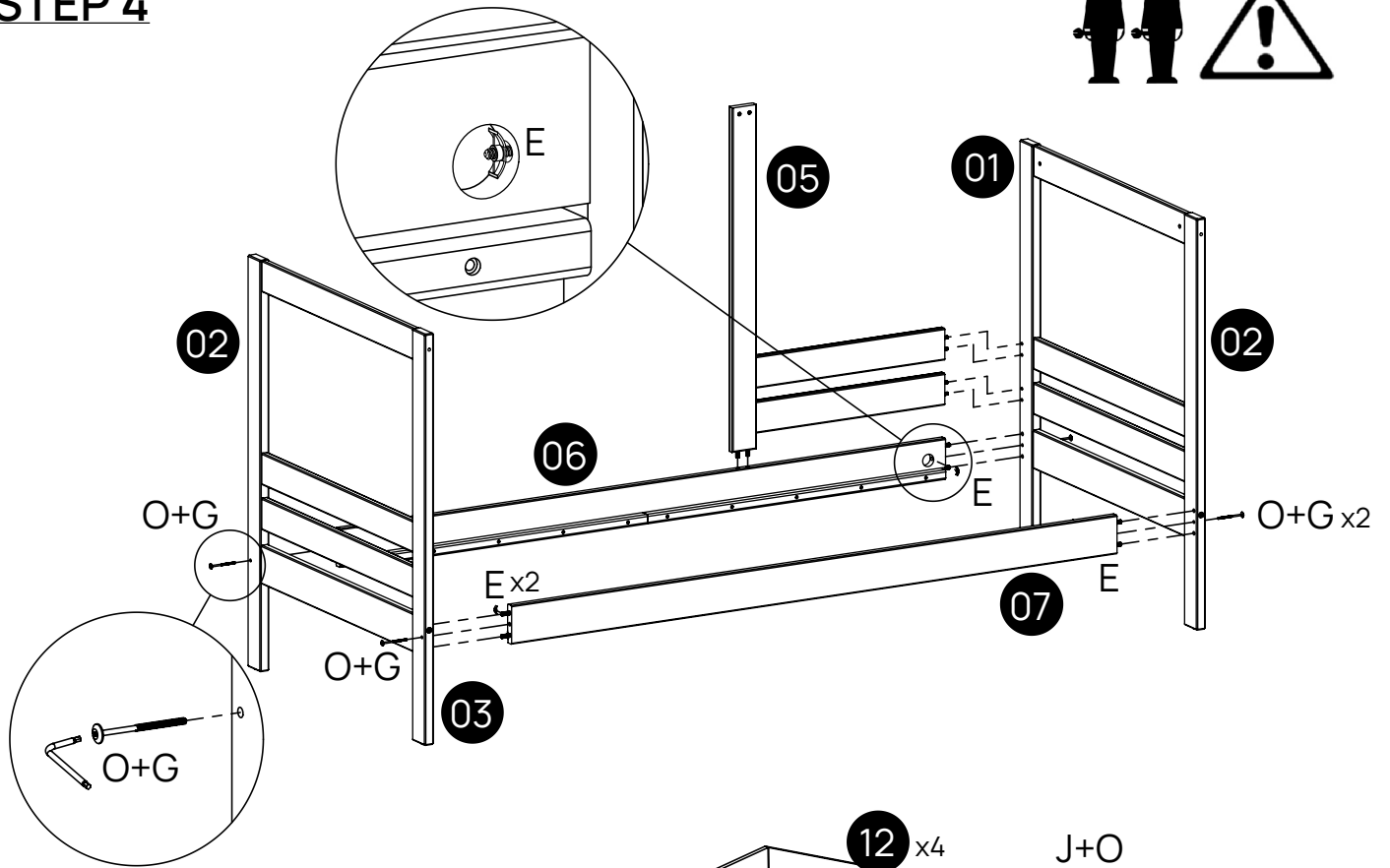
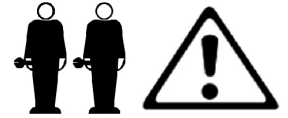
LIOR

Ref:MC-0021

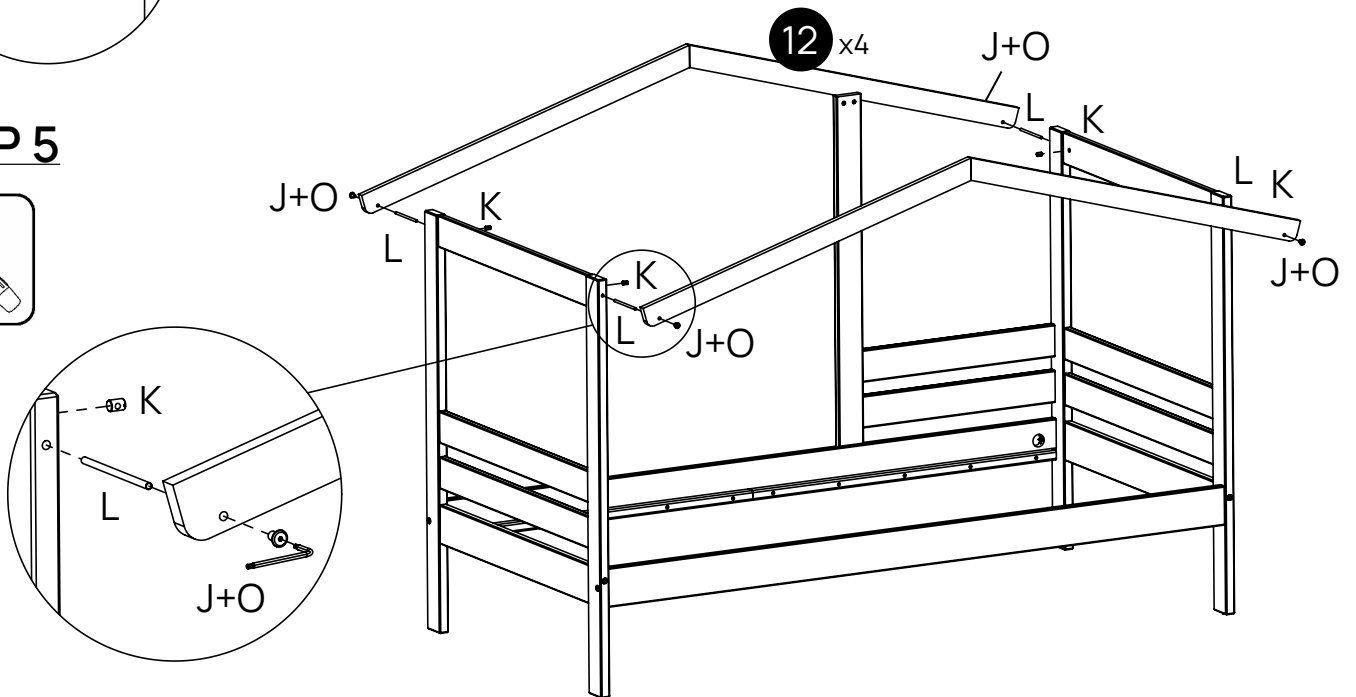
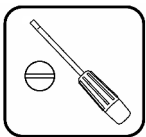
KLAST

www.klathome.com

STEP 4



STEP 5



LIOR

Ref:MC-0021

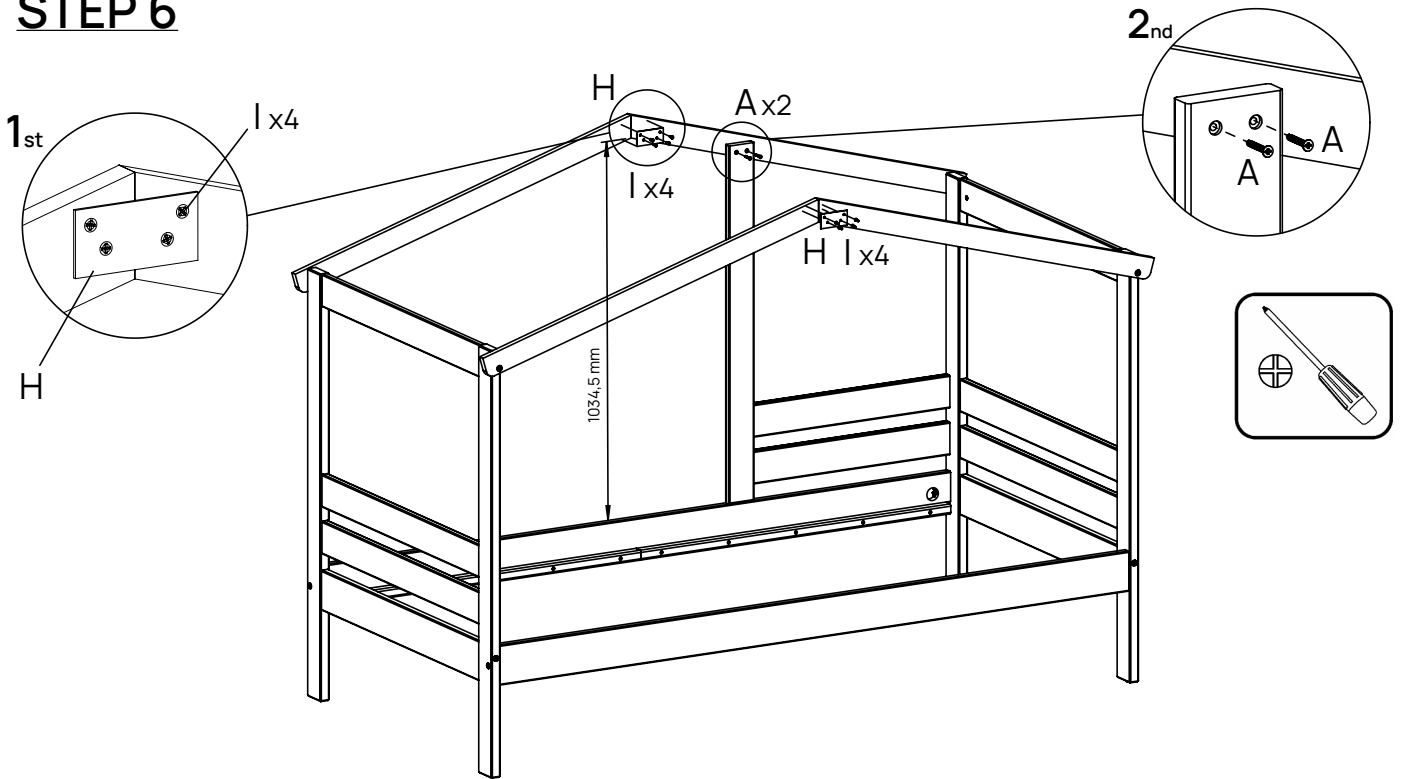
7/9

-V1.0-

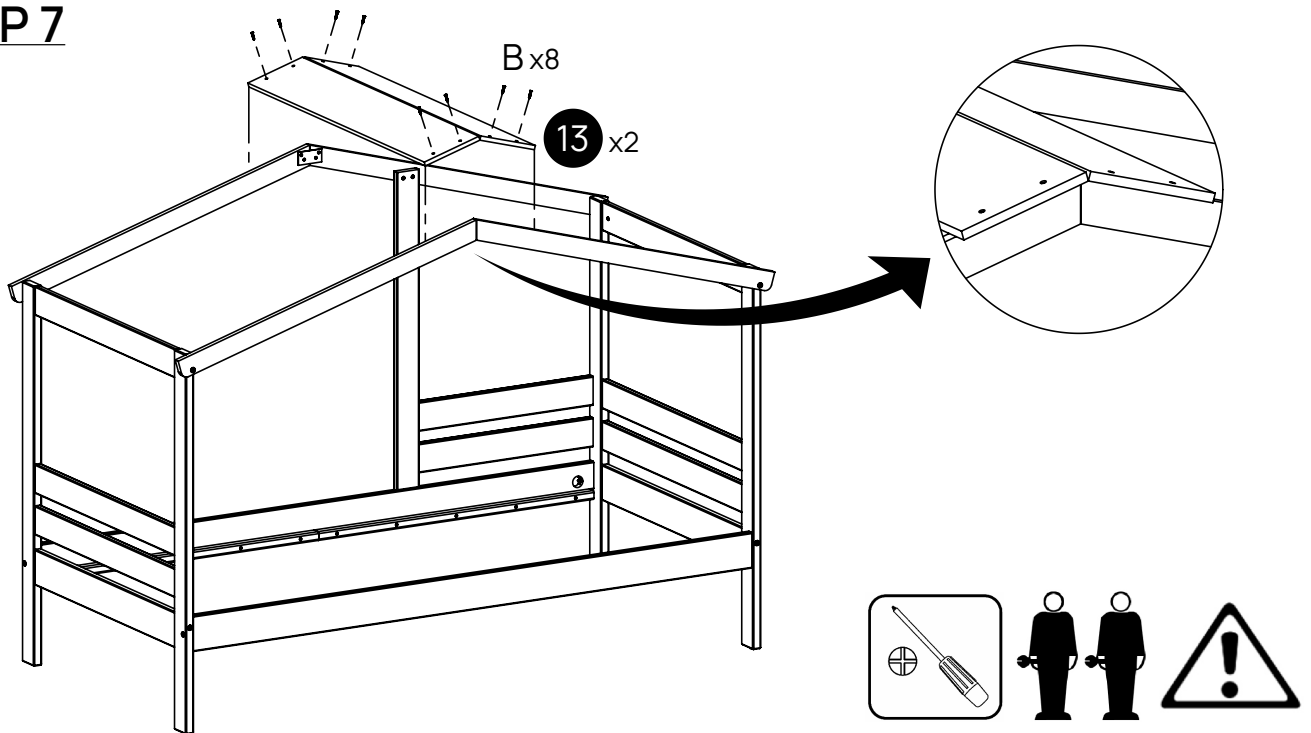
KLAST

www.klathome.com

STEP 6



STEP 7



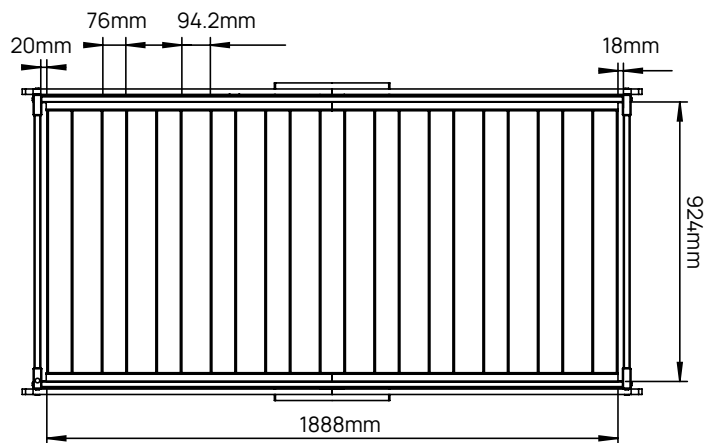
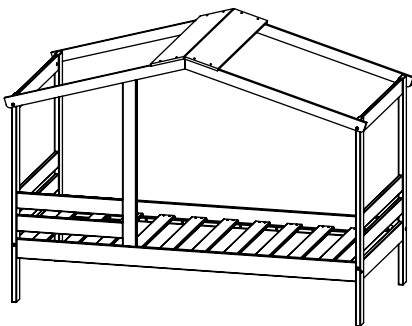
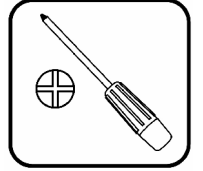
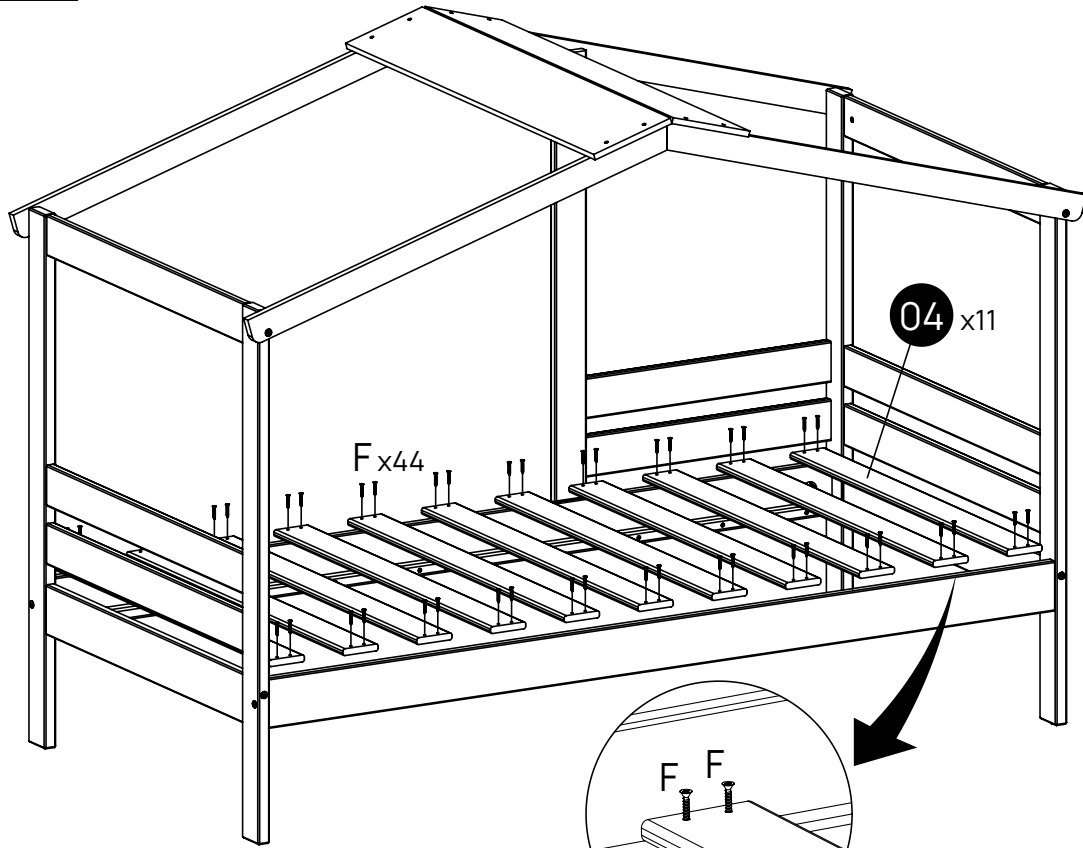
LIOR

Ref:MC-0021

KLAST

www.klathome.com

STEP 8



LIOR

Ref:MC-0021