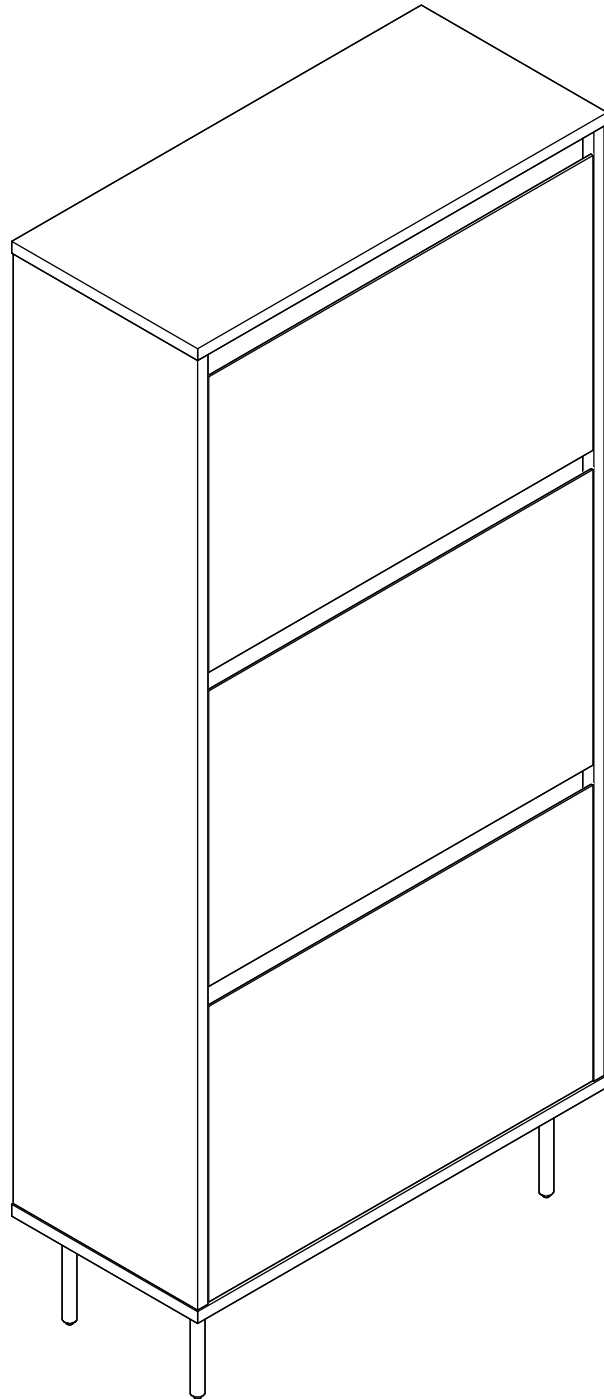


KLAST

www.klasthome.com



ESBEN

Ref: SB-0108

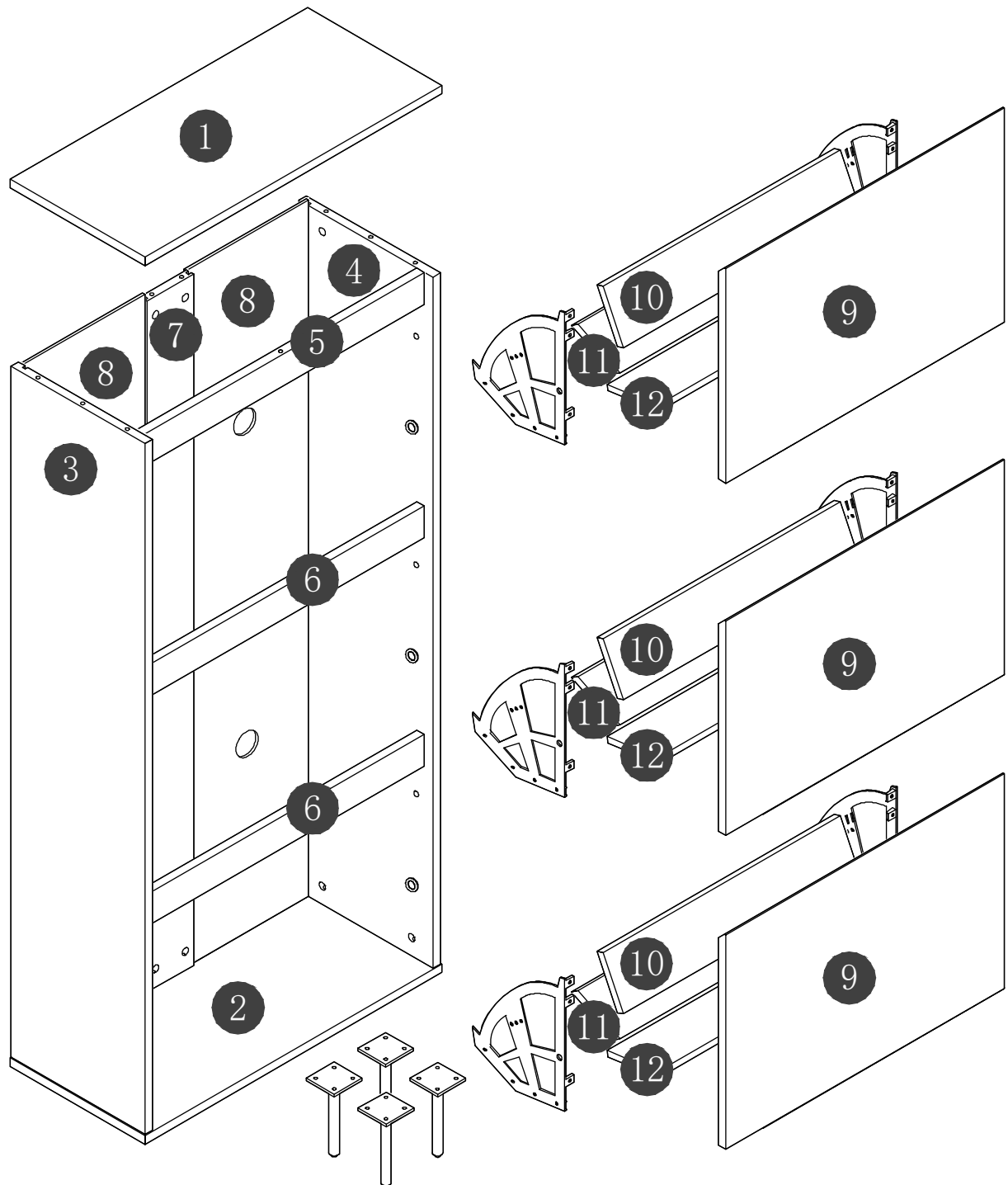
1/10

-V2.0-

KLAST

www.klathome.com

MATERIAL



ESBEN

Ref: SB-0108

2/10

-V2.0-

KLAST

www.klasthome.com

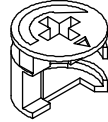
MATERIAL



M6x40 mm
A x19 PC



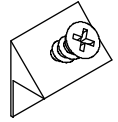
Ø8x30 mm
B x10 PC



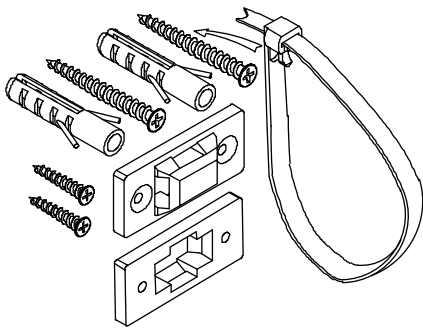
Ø15x12 mm
C x19 PC



Ø21 mm
D x19 PC



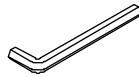
E x12 PC



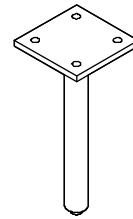
F x1 PC



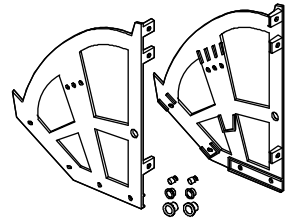
M6x16 mm
G x16 PC



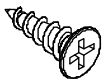
M4
H x1 PC



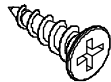
60x60x140 mm
J-1 x4 PC



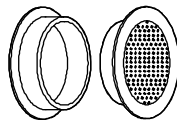
W x3 PC



M3.5x12 mm
V1 x6 PC



M4x18 mm
V2 x48 PC



Ø67x5
Y x4 PC



Z1 x16 PC



Z2 x16 PC

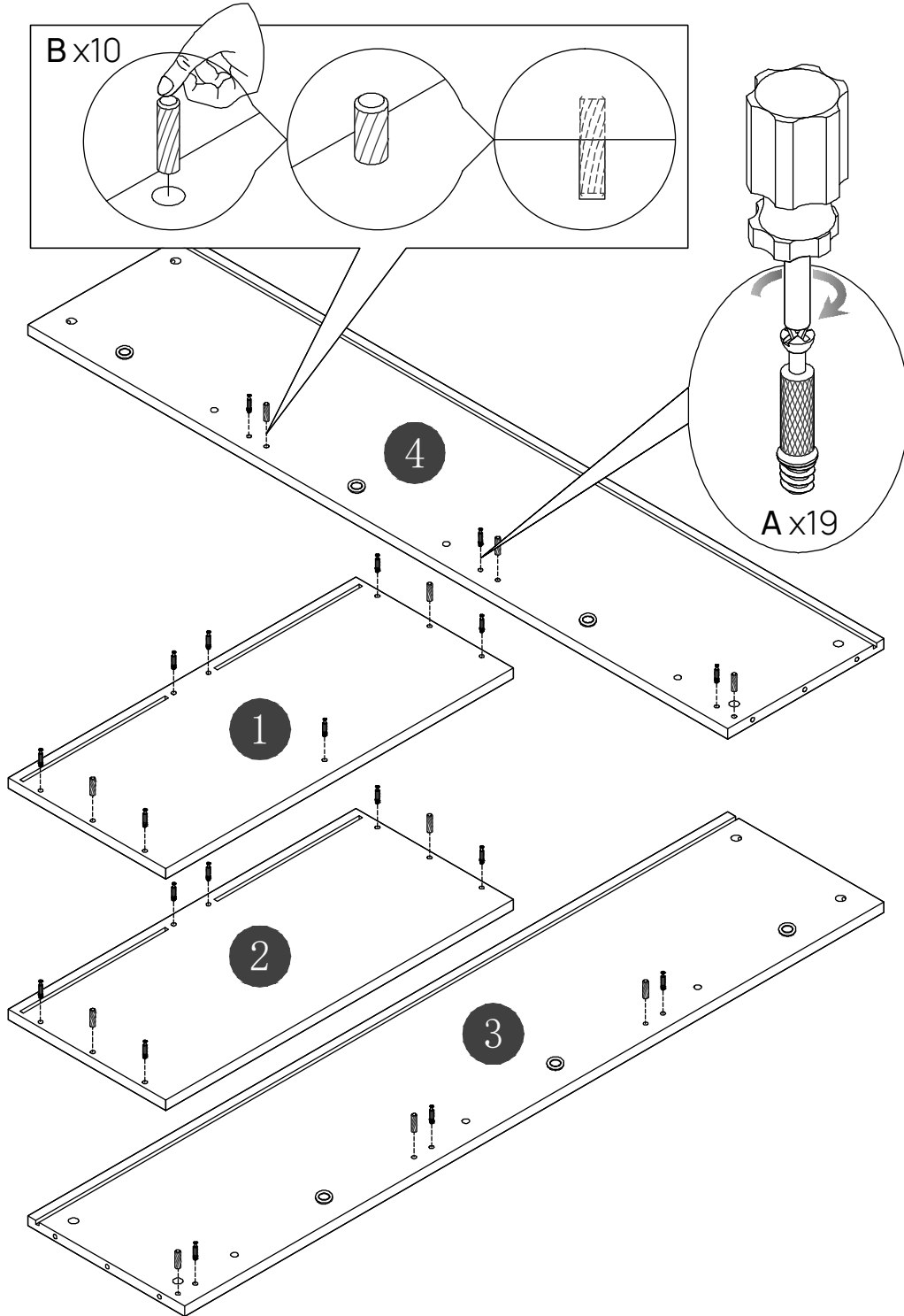
ESBEN

Ref: SB-0108

KLAST

www.klathome.com

STEP 1



ESBEN

Ref: SB-0108

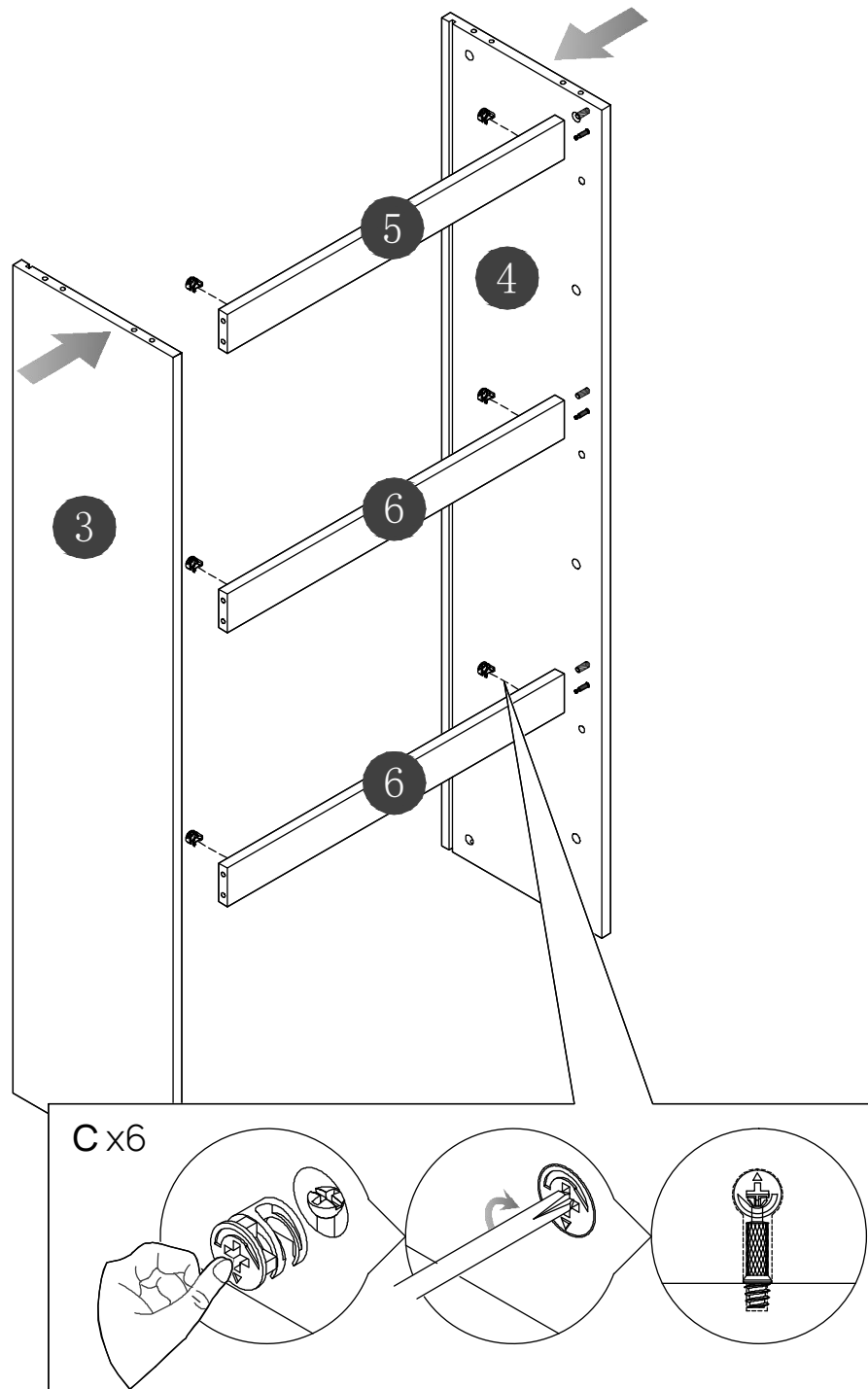
4/10

-V2.0-

KLAST

www.klathome.com

STEP 2



ESBEN

Ref: SB-0108

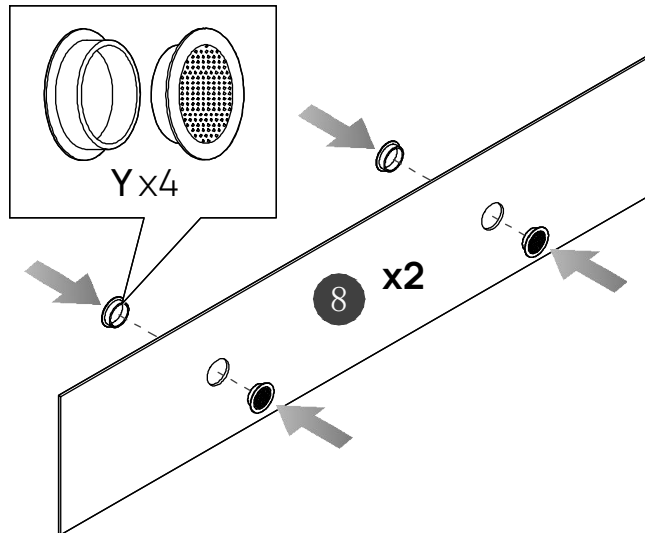
5/10

-V2.0-

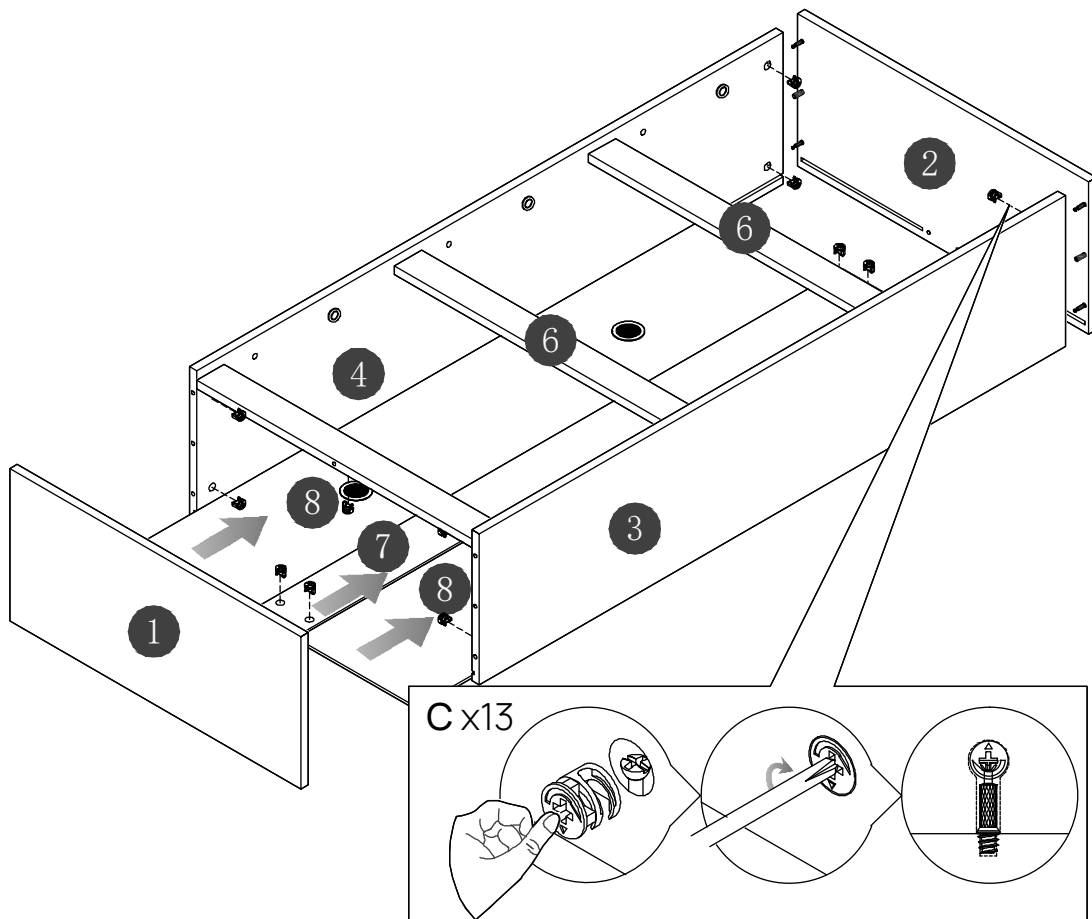
KLAST

www.klathome.com

STEP 3



STEP 4



ESBEN

Ref: SB-0108

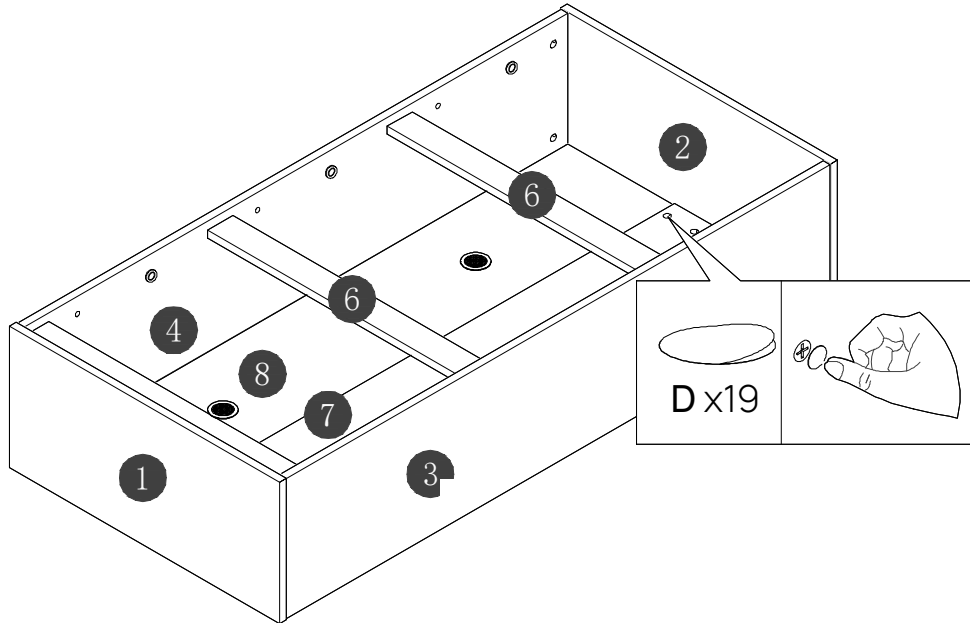
6/10

-V2.0-

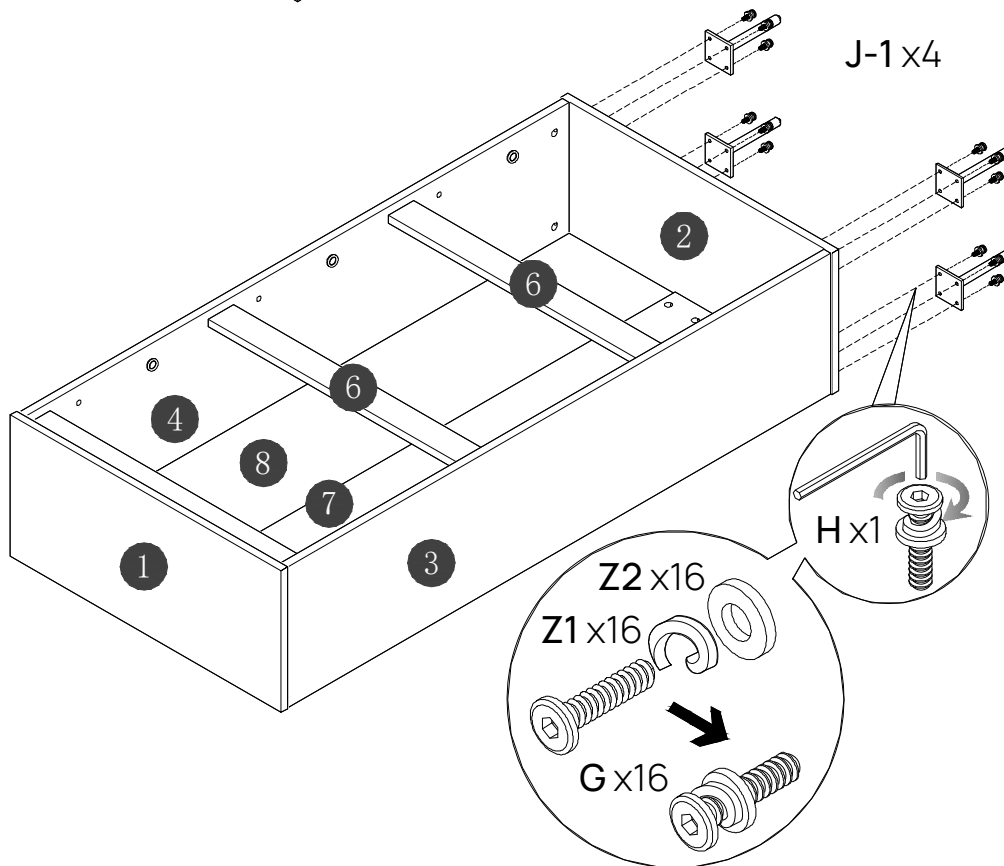
KLAST

www.klasthome.com

STEP 5



STEP 6



ESBEN

Ref: SB-0108

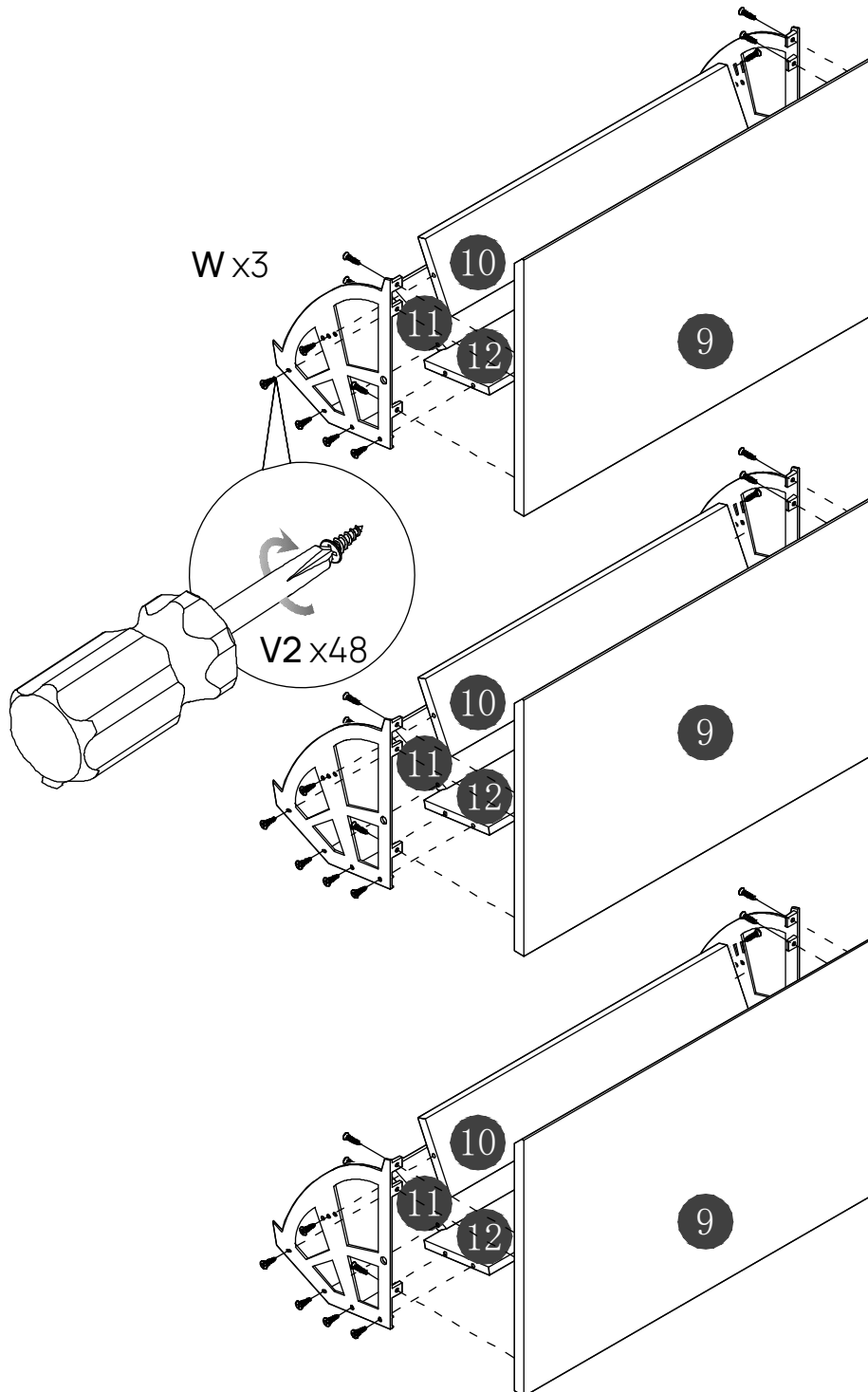
7/10

-V2.0-

KLAST

www.klasthome.com

STEP 7



ESBEN

Ref: SB-0108

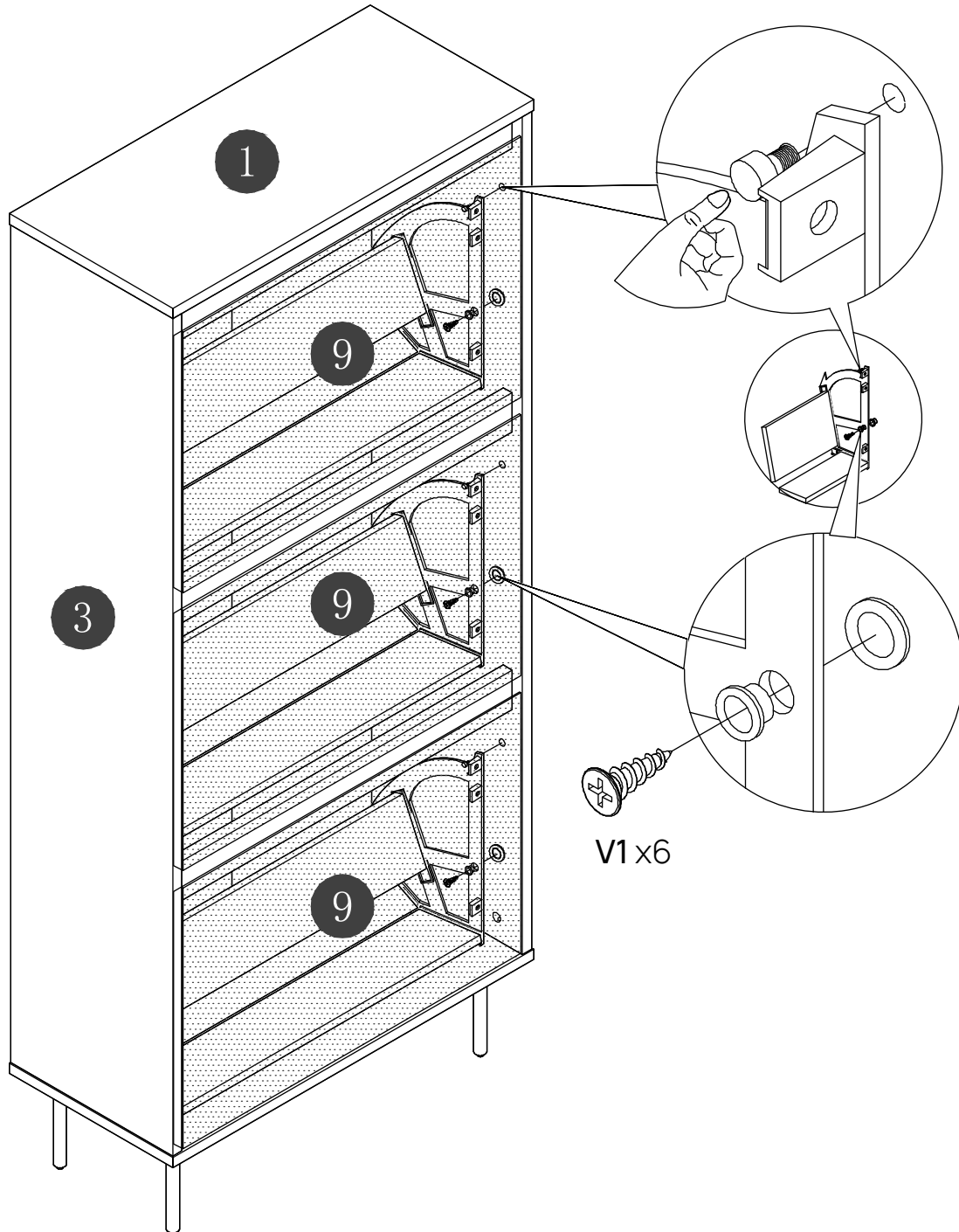
8/10

-V2.0-

KLAST

www.klasthome.com

STEP 8



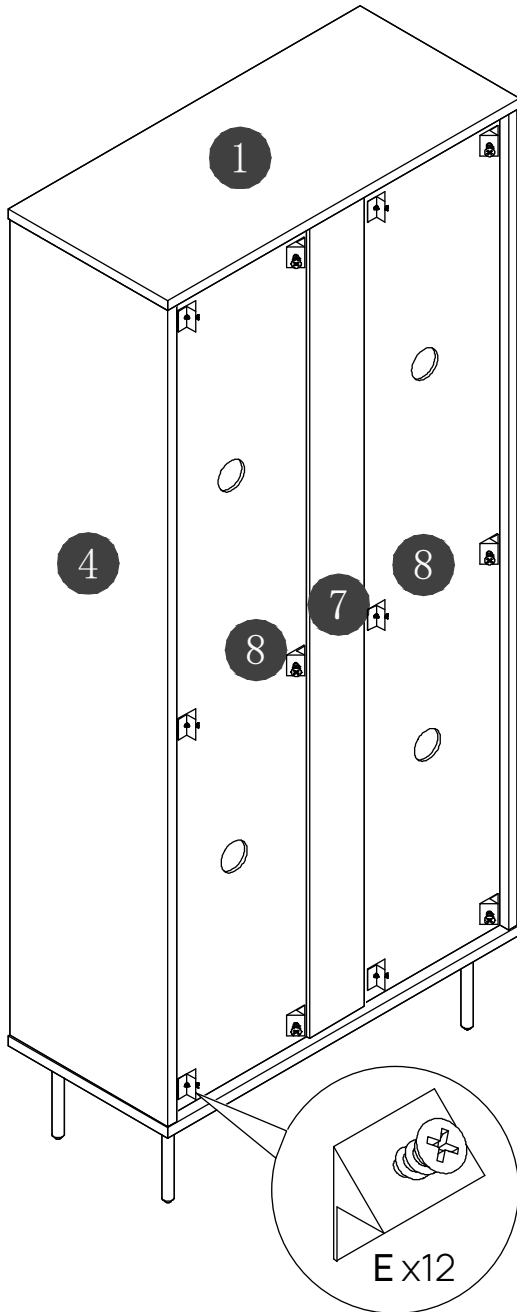
ESBEN

Ref: SB-0108

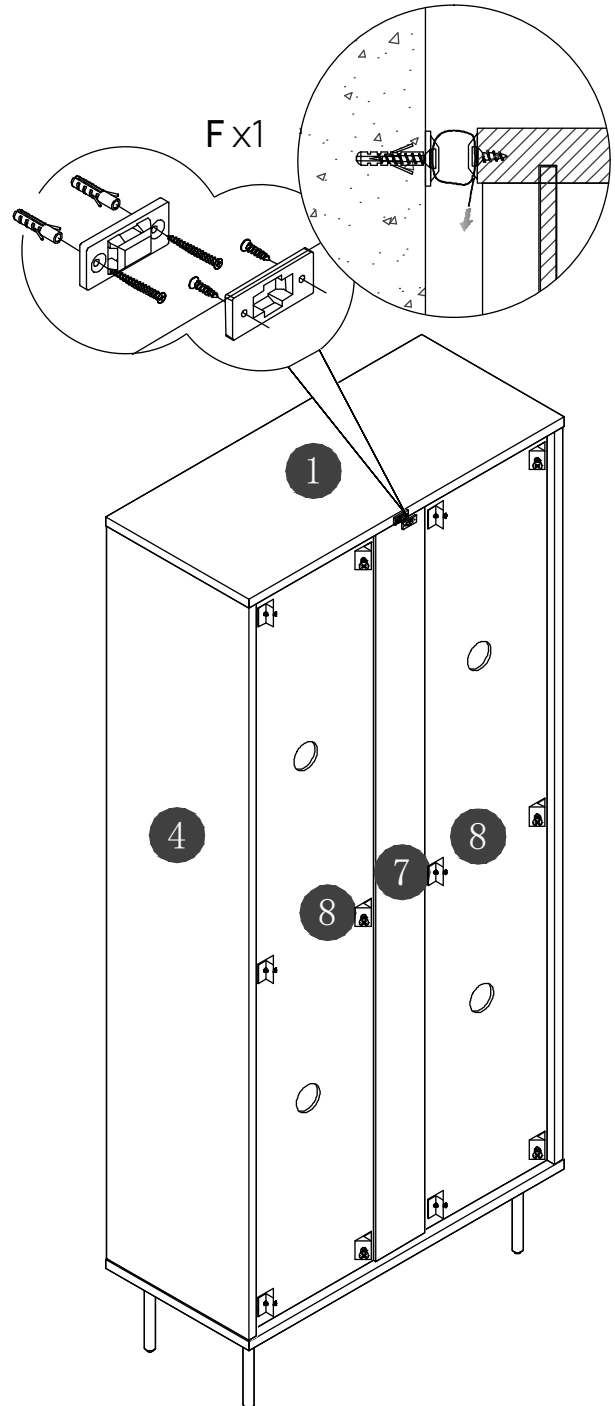
KLAST

www.klasthome.com

STEP 9



STEP 10



ESBEN

Ref: SB-0108

10/10

-V2.0-