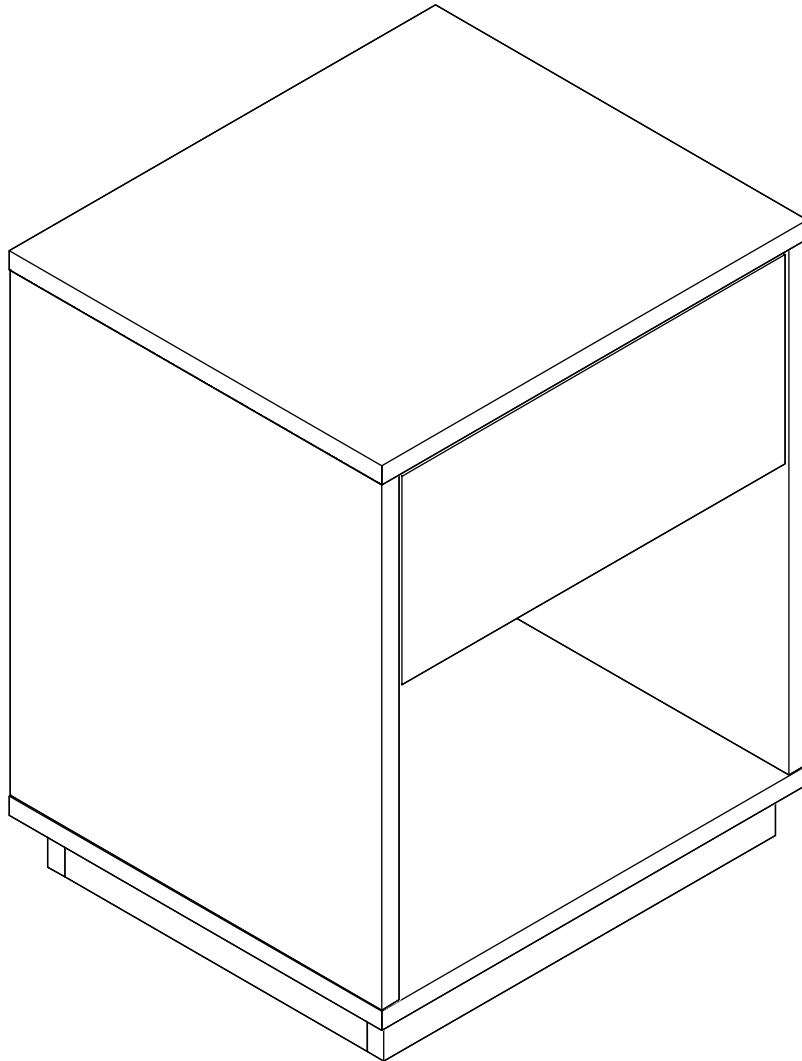


KLAST

www.klasthome.com



OSLO

Ref: LH-0001

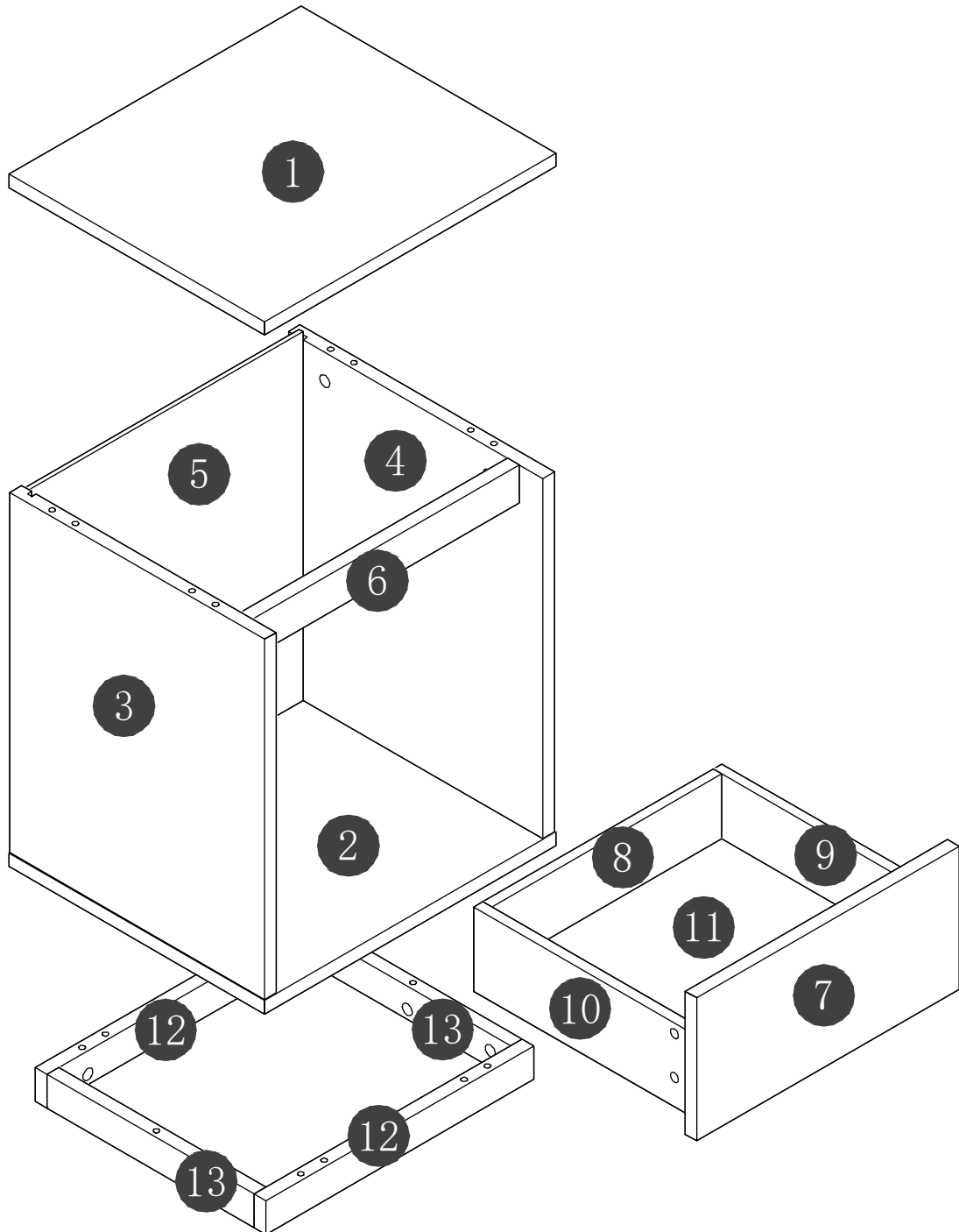
1/12

-V3.0-

KLAST

www.klasthome.com

MATERIAL



OSLO

Ref: LH-0001

2/12

-V3.0-

KLAST

www.klathome.com

MATERIAL



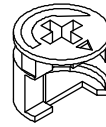
M6x40 mm
A1 x6 PC



M6x35 mm
A2 x10 PC



Ø8x30 mm
B x12 PC



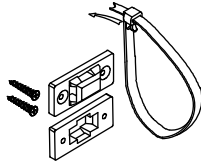
Ø15x12 mm
C x16 PC



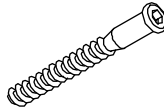
Ø21 mm
D x24 PC



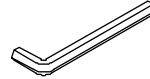
E x4 PC



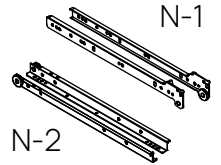
F x1 PC



Ø7x50 mm
Q x4 PC



H x1 PC



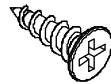
300 mm
N x1 PC



M6x34 mm
O x8 PC



Ø12x10.5 mm
P x8 PC



M3.5x12 mm
V1 x16 PC

OSLO

Ref: LH-0001

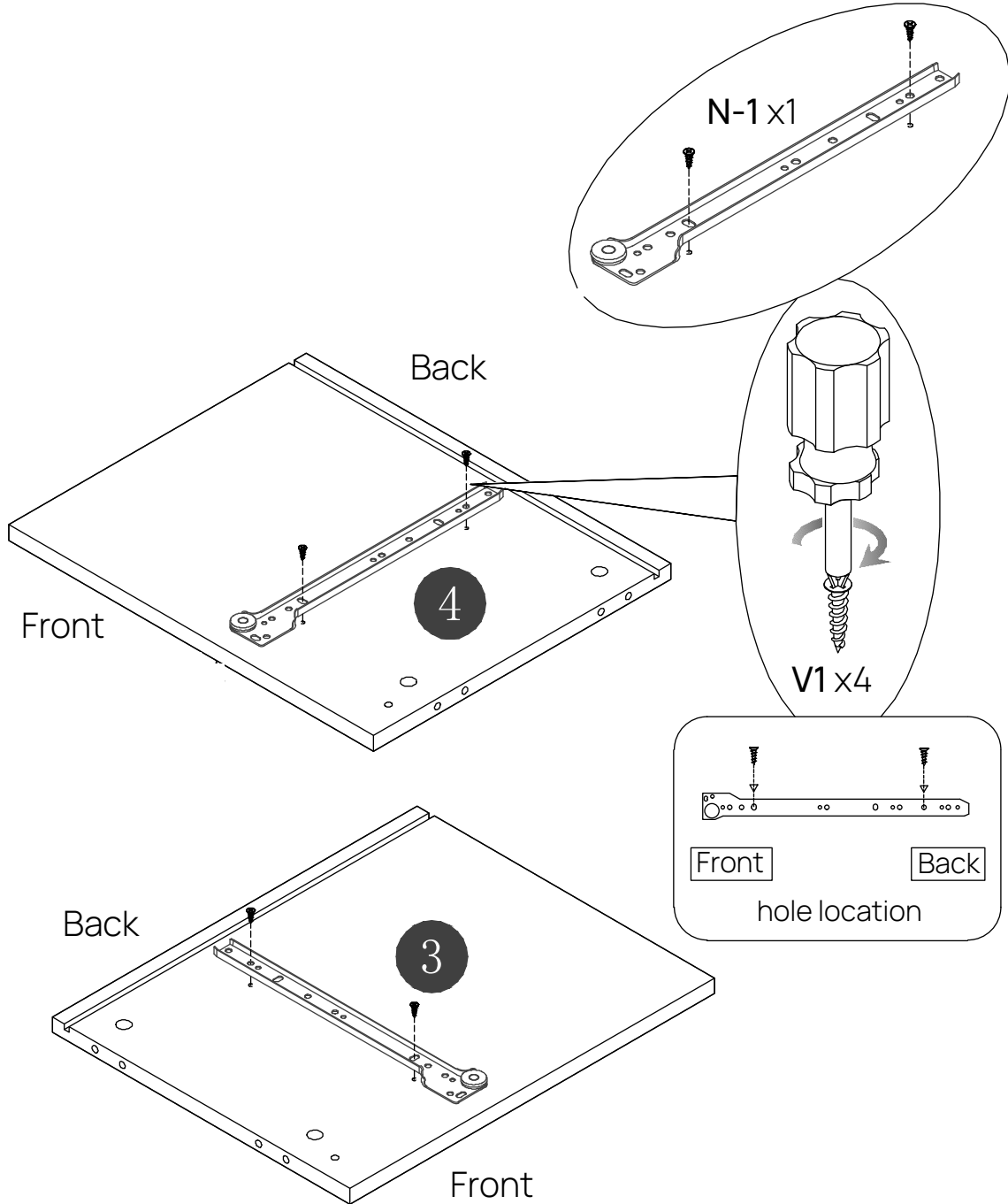
3/12

-V3.0-

KLAST

www.klathome.com

STEP 1



OSLO

Ref: LH-0001

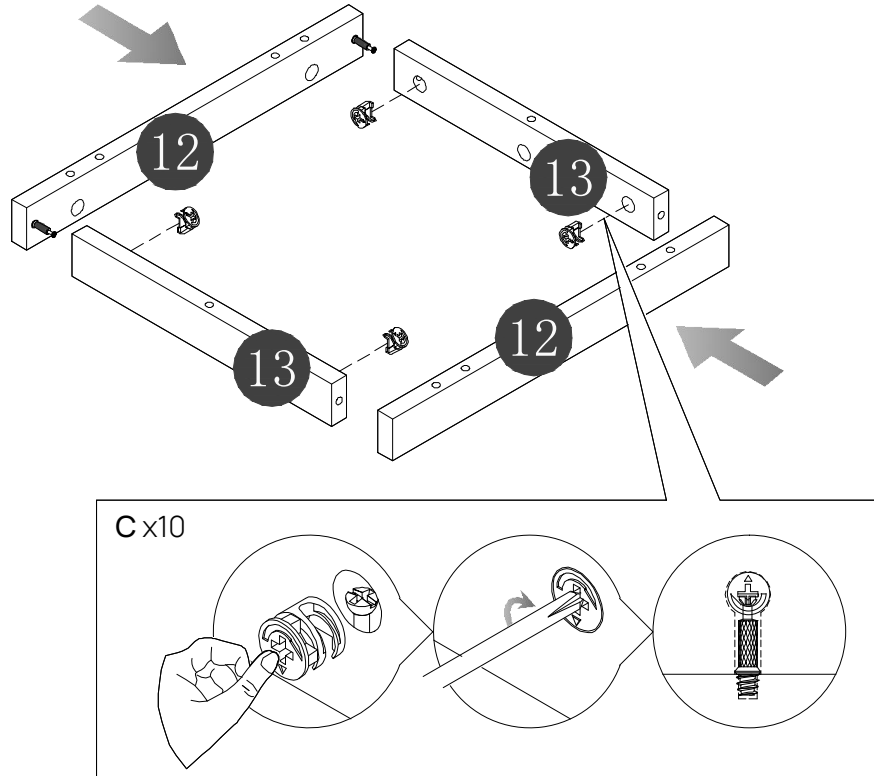
4/12

-V3.0-

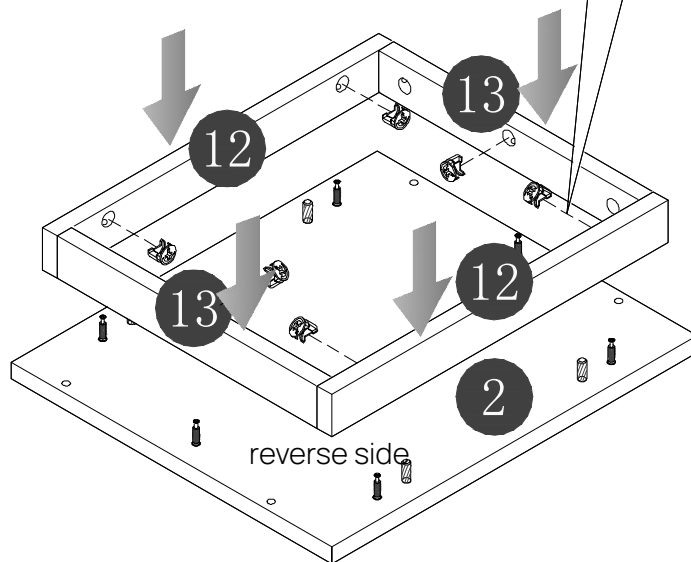
KLAST

www.klasthome.com

STEP 3



STEP 4



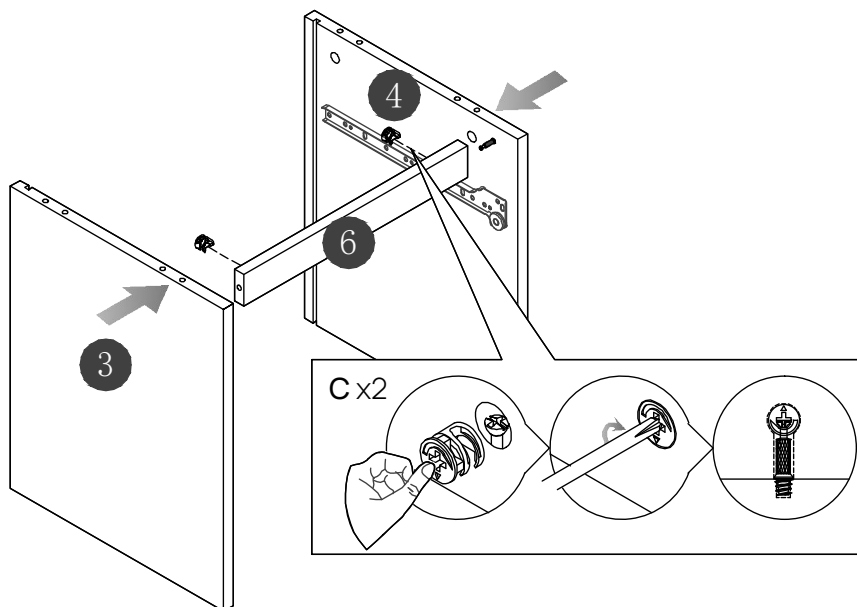
OSLO

Ref: LH-0001

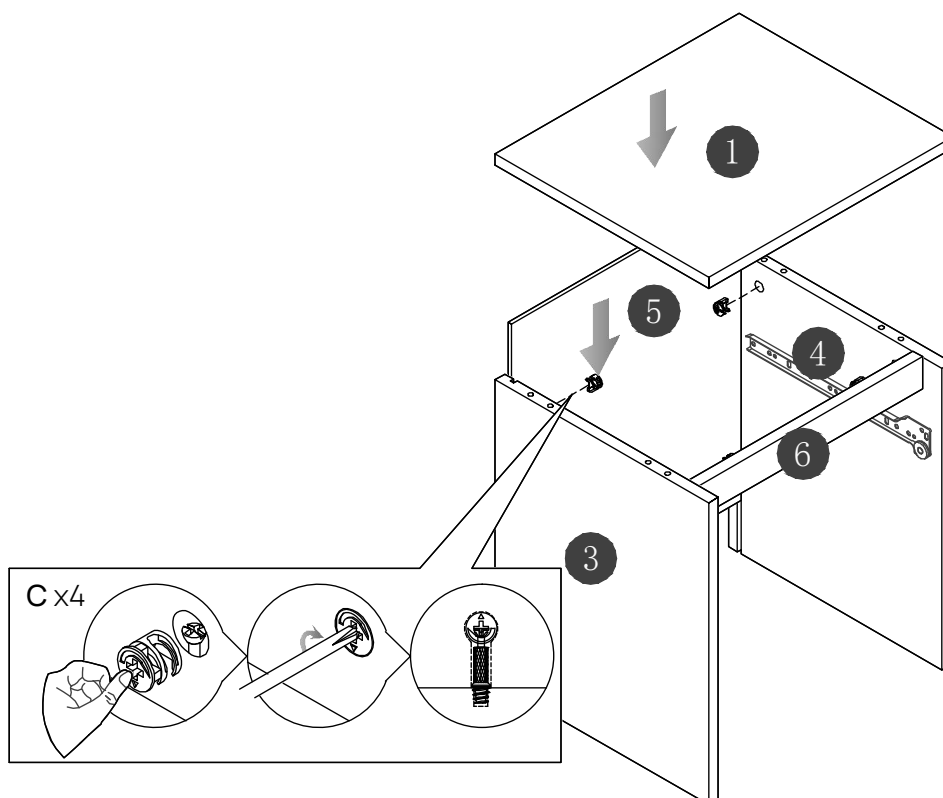
KLAST

www.klathome.com

STEP 5



STEP 6



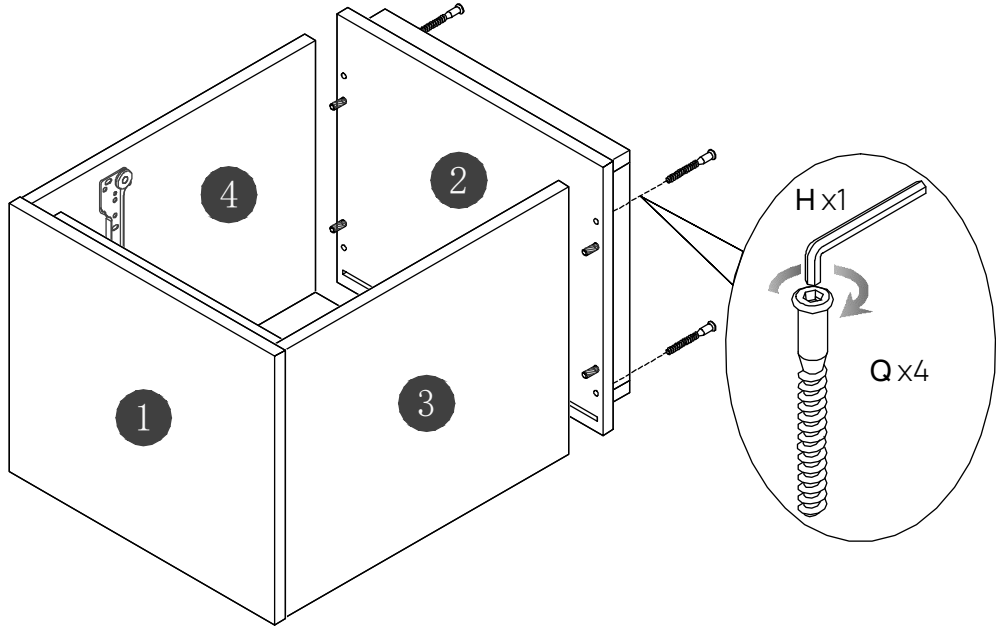
OSLO

Ref: LH-0001

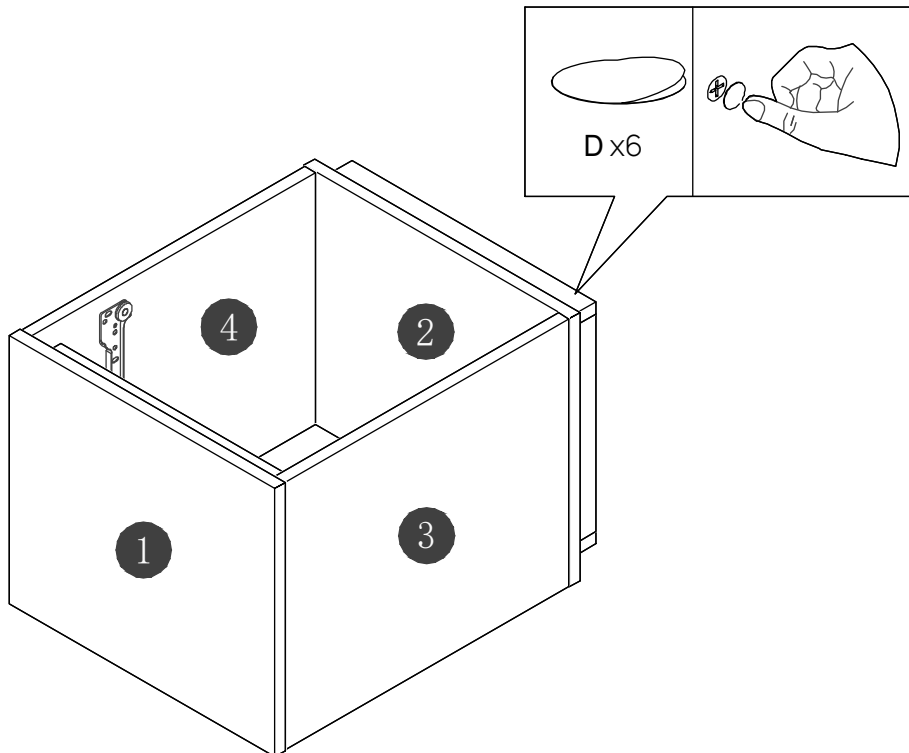
KLAST

www.klathome.com

STEP 7



STEP 8



OSLO

Ref: LH-0001

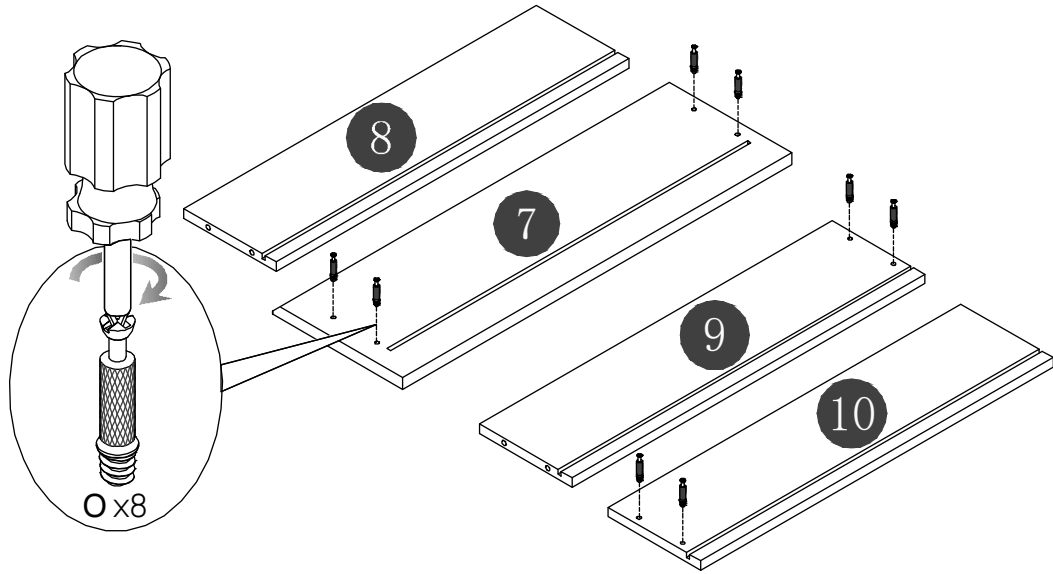
8/12

-V3.0-

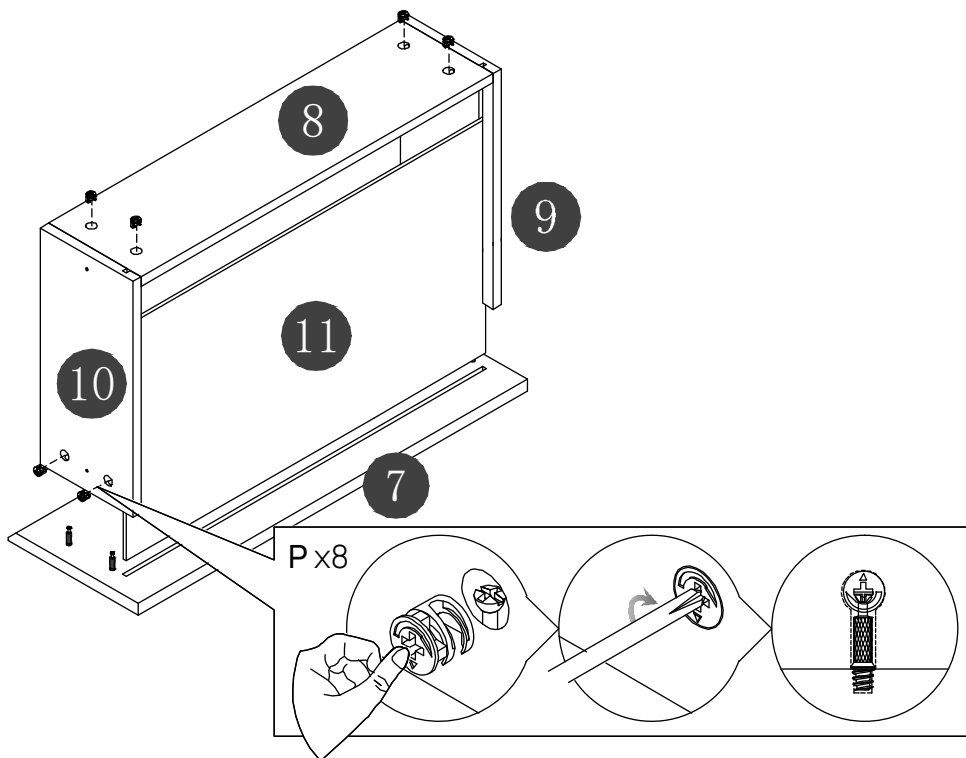
KLAST

www.klasthome.com

STEP 9



STEP 10



OSLO

Ref: LH-0001

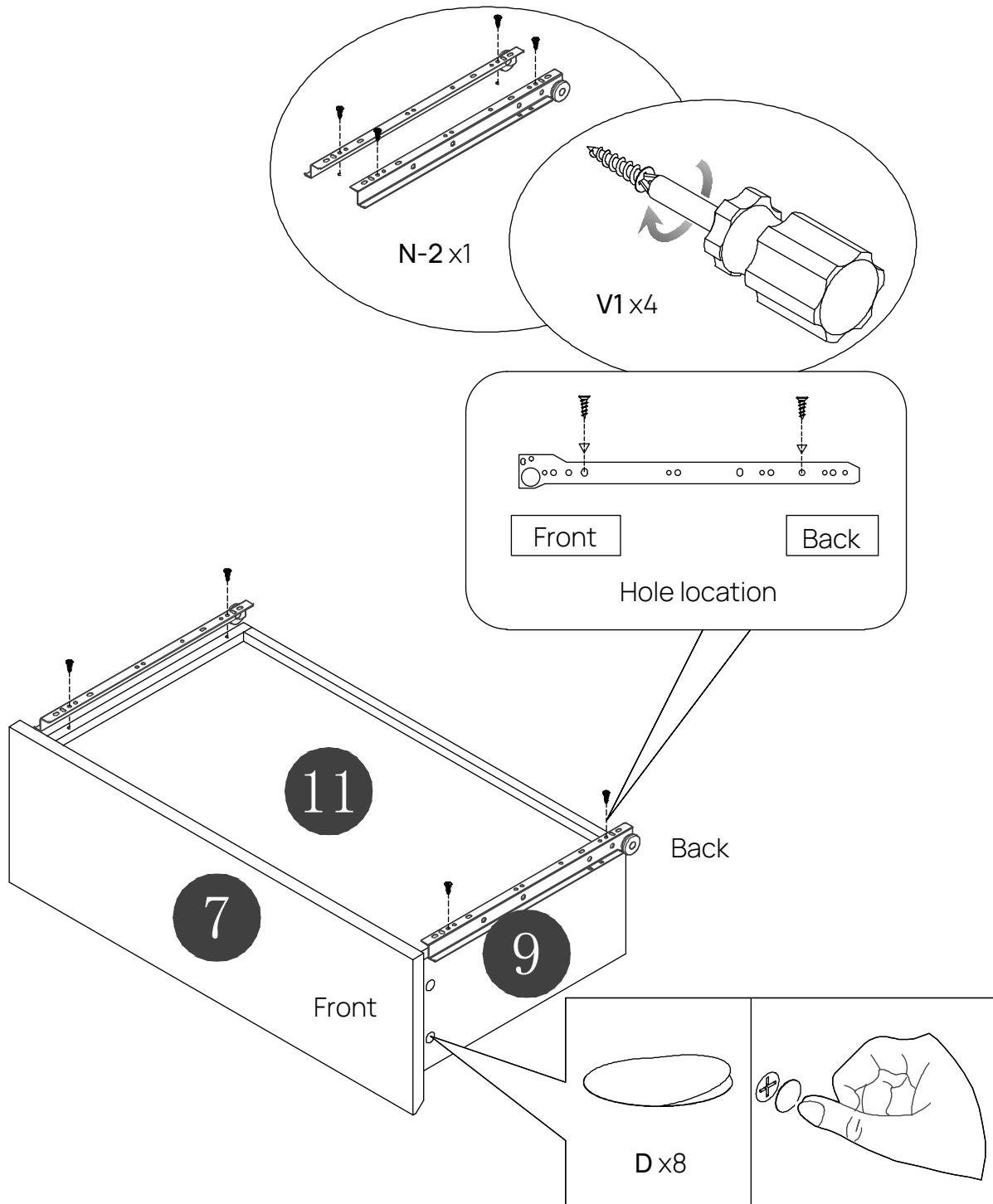
9/12

-V3.0-

KLAST

www.klathome.com

STEP 11



OSLO

Ref: LH-0001

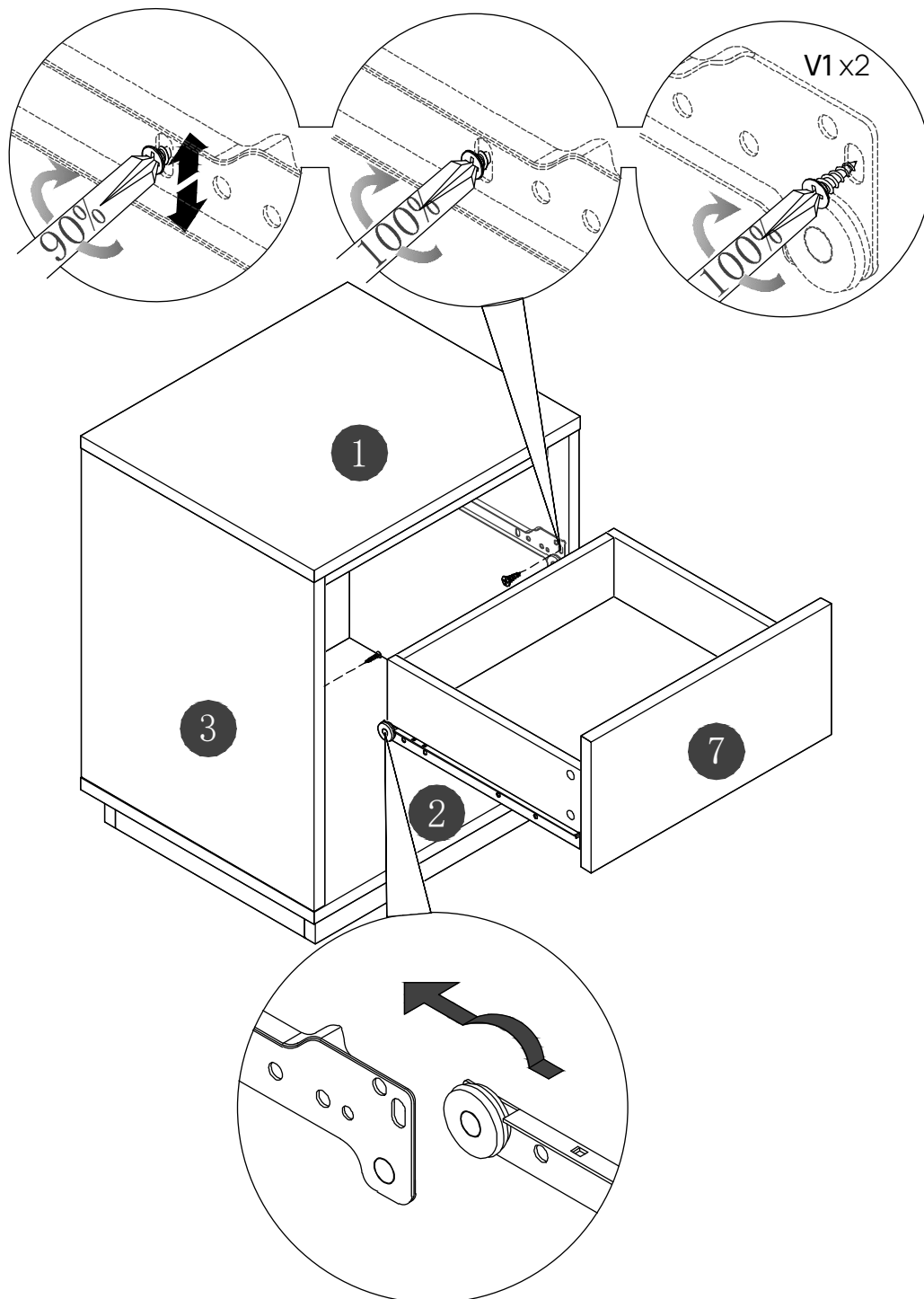
10/12

-V3.0-

KLAST

www.klasthome.com

STEP 12



OSLO

Ref: LH-0001

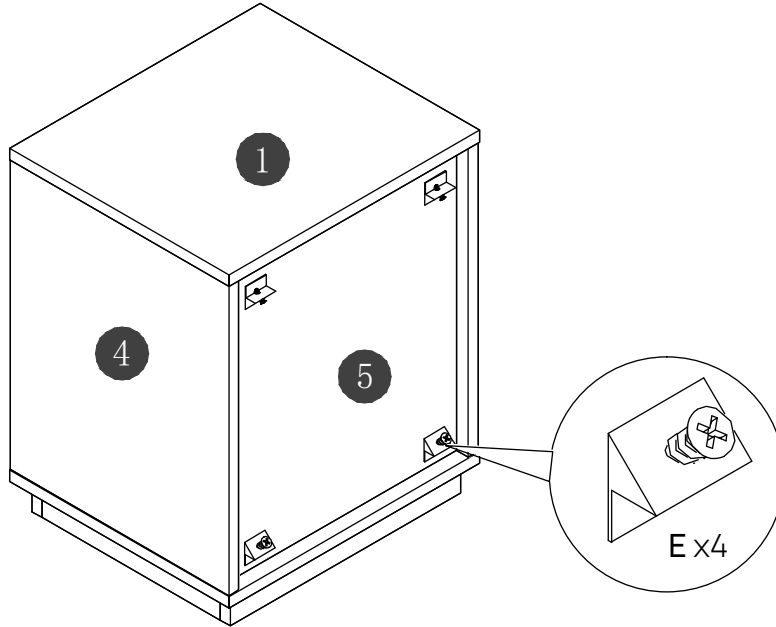
11/12

-V3.0-

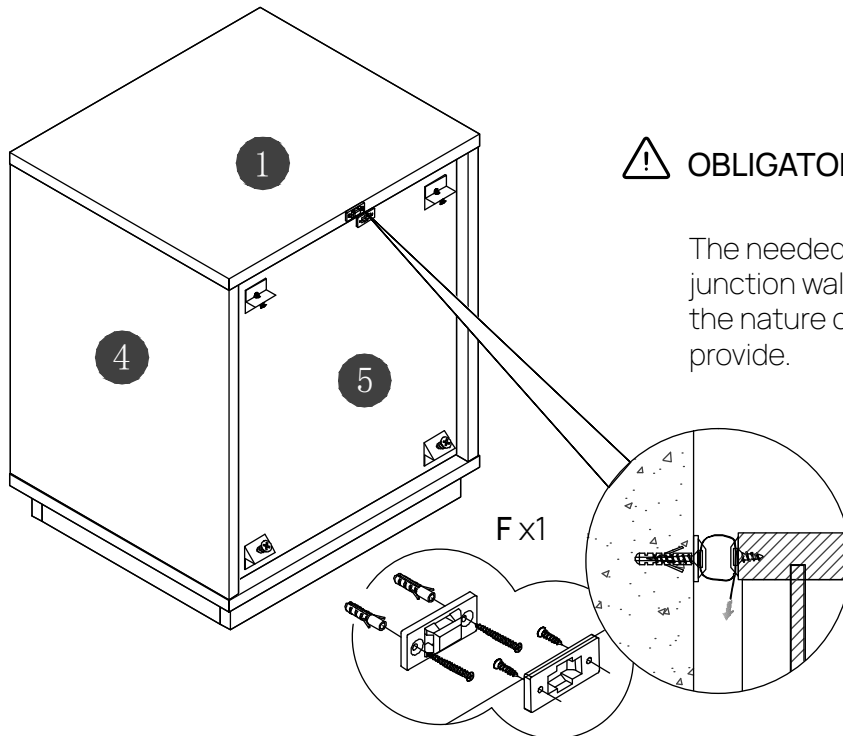
KLAST

www.klasthome.com

STEP 13



STEP 14



! OBLIGATORY FIX ON THE WALL

The needed hardware for the junction wall/furniture depends of the nature of the wall and is not provide.

OSLO

Ref: LH-0001

12/12

-V3.0-