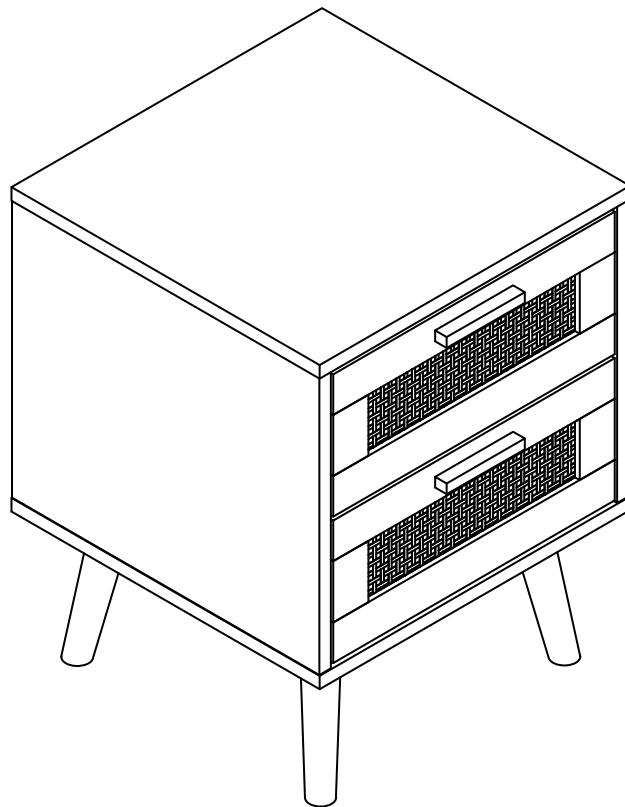


# KLAST

[www.klasthome.com](http://www.klasthome.com)



## TAHITI

Ref: FF-0013

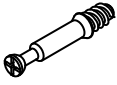

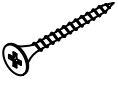



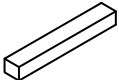




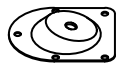



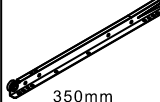
1/8

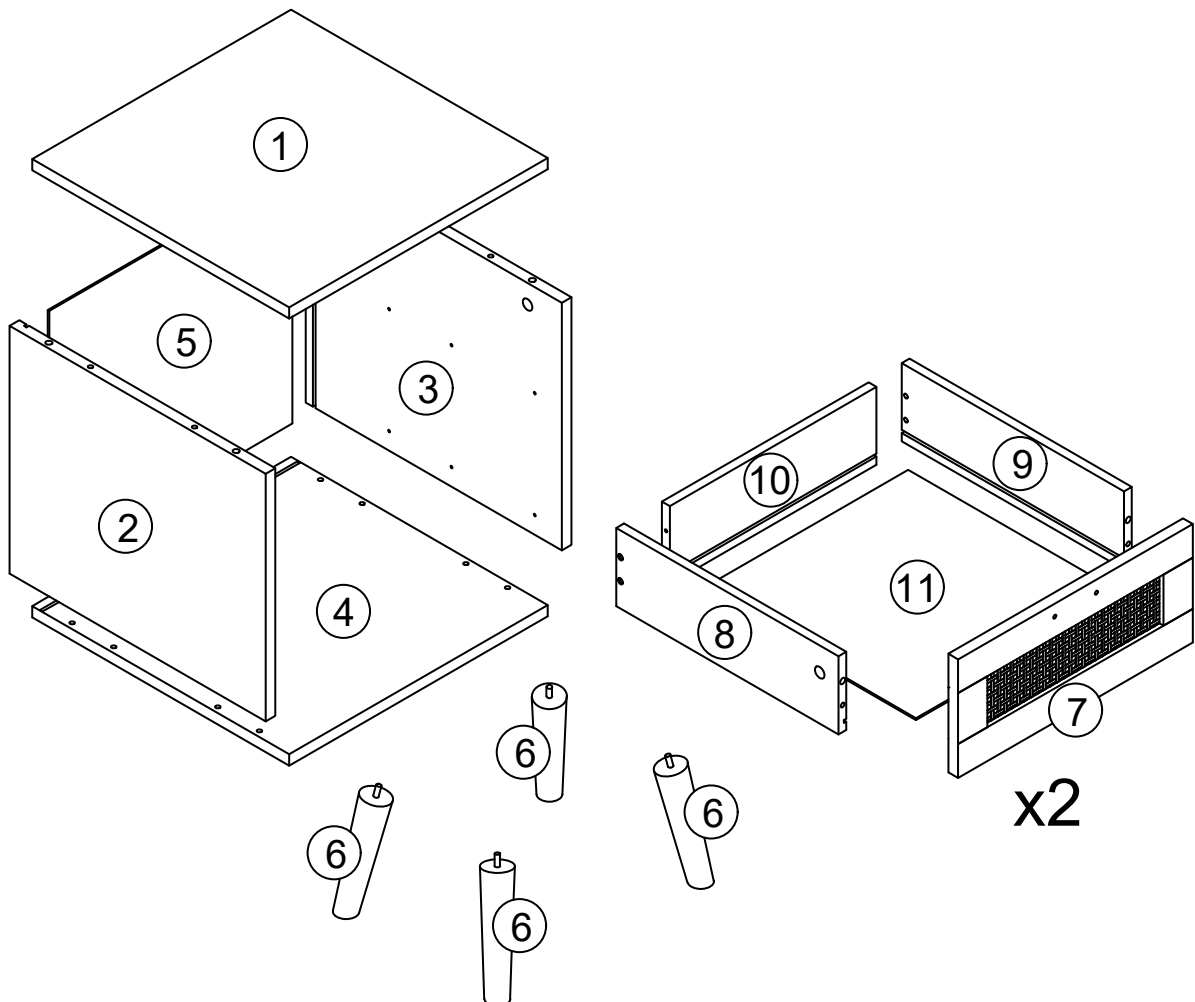
-V1.0-

# KLAST

www.klasthome.com

## MATERIAL

 6x35mm Ax8PCS	 Ø15x9mm Bx8PCS	 4x40mm Cx12PCS	 6x30mm Dx12PCS	 3x12mm Ex24PCS	 Ø20mm Fx4PCS	 Gx2PCS	 4x25mm Hx4PCS
 3x14mm Ix4PCS	 Jx4PCS	 4x14mm Kx20PCS	 Lx4PCS	 350mm CLx2PCS	 350mm CRx2PCS	 350mm DLx2PCS	 350mm DRx2PCS



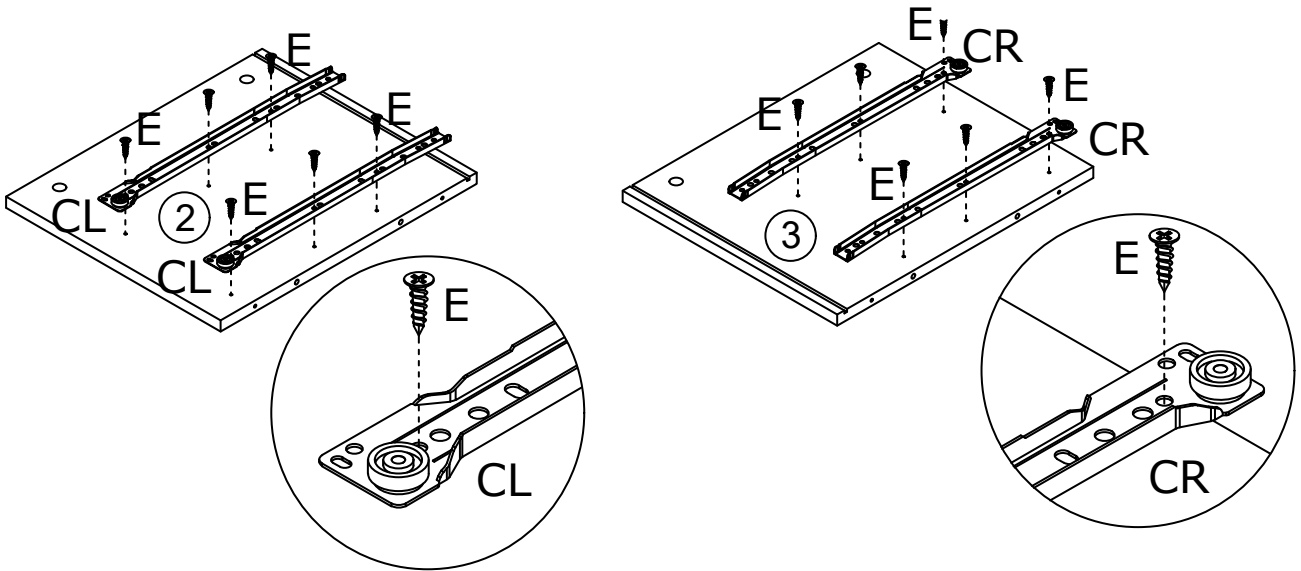
## TAHITI

Ref: FF-0013

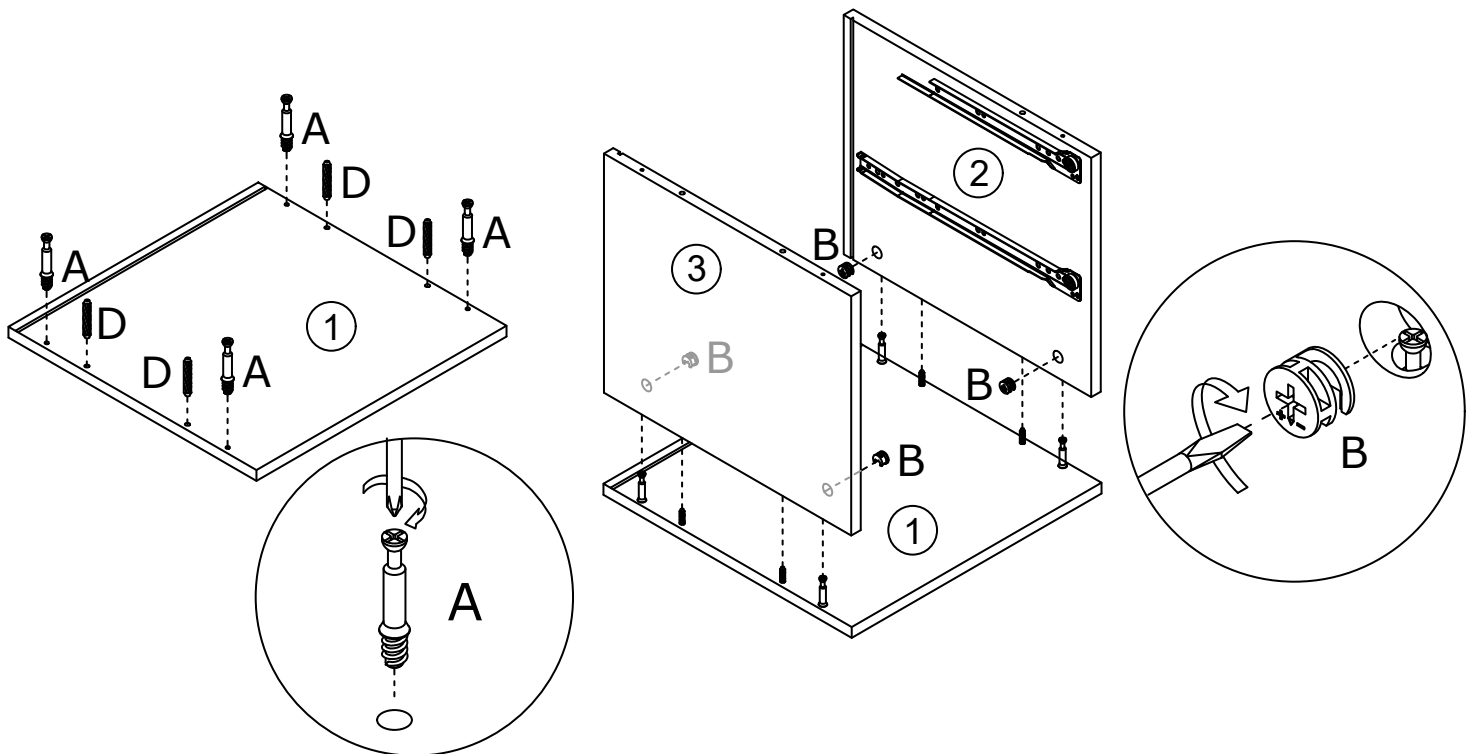
# KLAST

www.klasthome.com

## STEP 1



## STEP 2



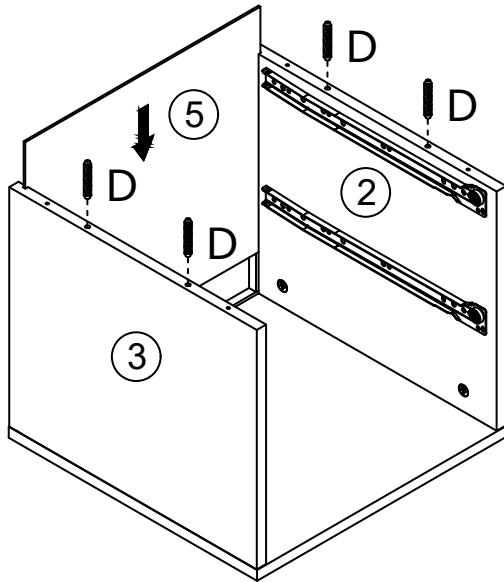
# TAHITI

Ref: FF-0013

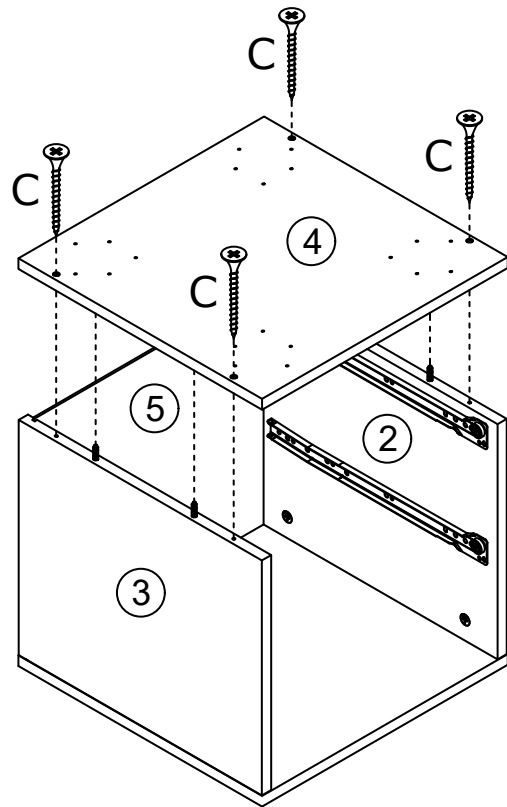
# KLAST

www.klasthome.com

## STEP 3



## STEP 4



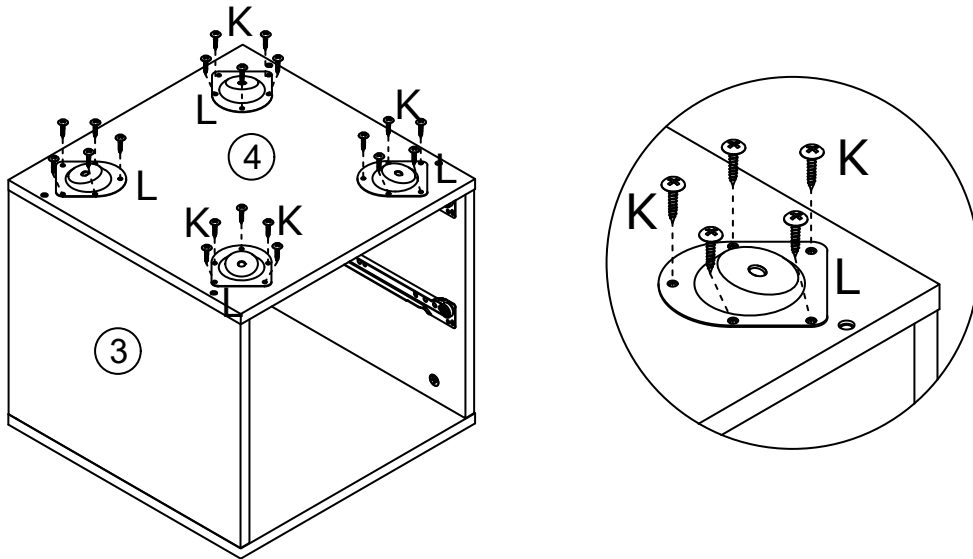
# TAHITI

Ref: FF-0013

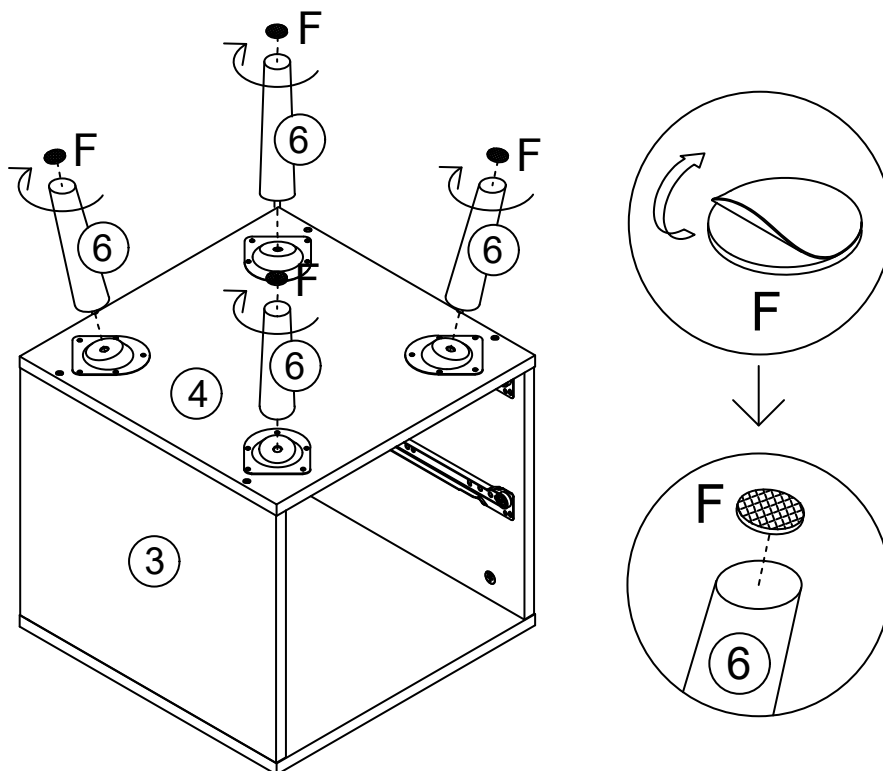
# KLAST

www.klathome.com

## STEP 5



## STEP 6



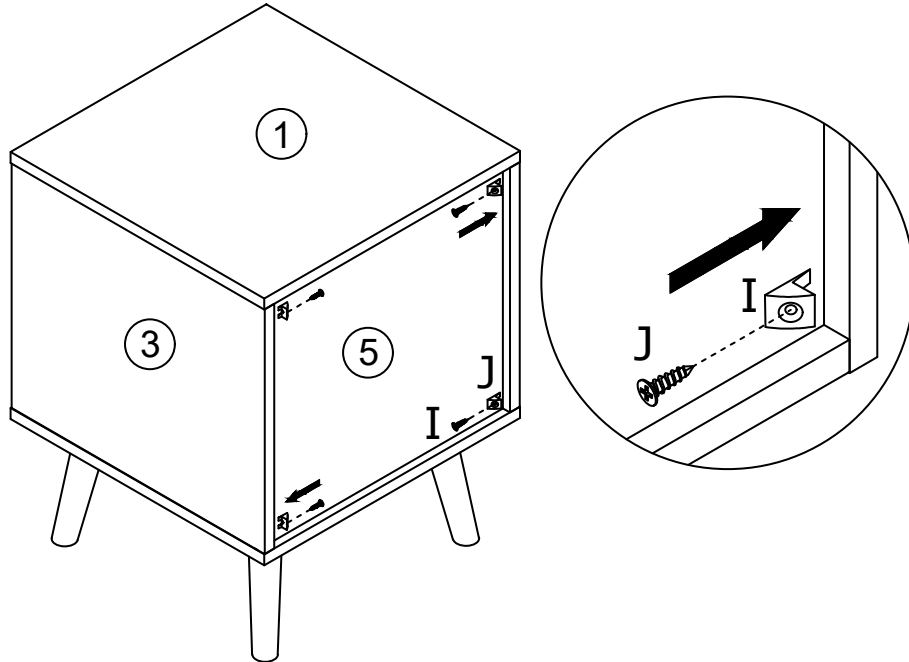
# TAHITI

Ref: FF-0013

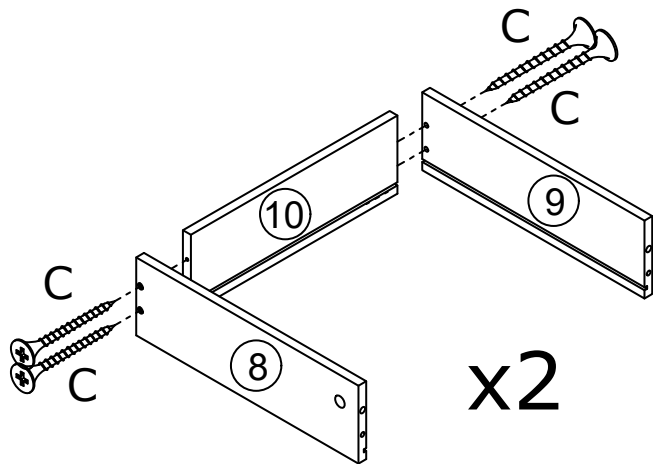
# KLAST

www.klasthome.com

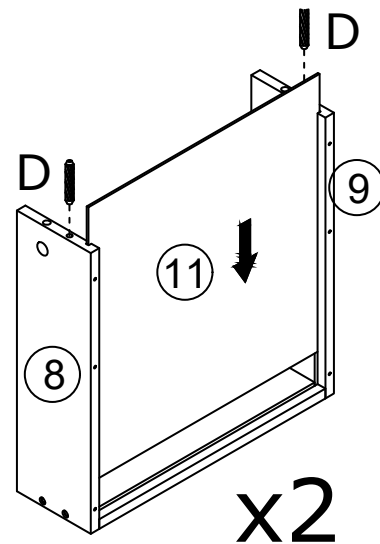
## STEP 7



## STEP 8



## STEP 9



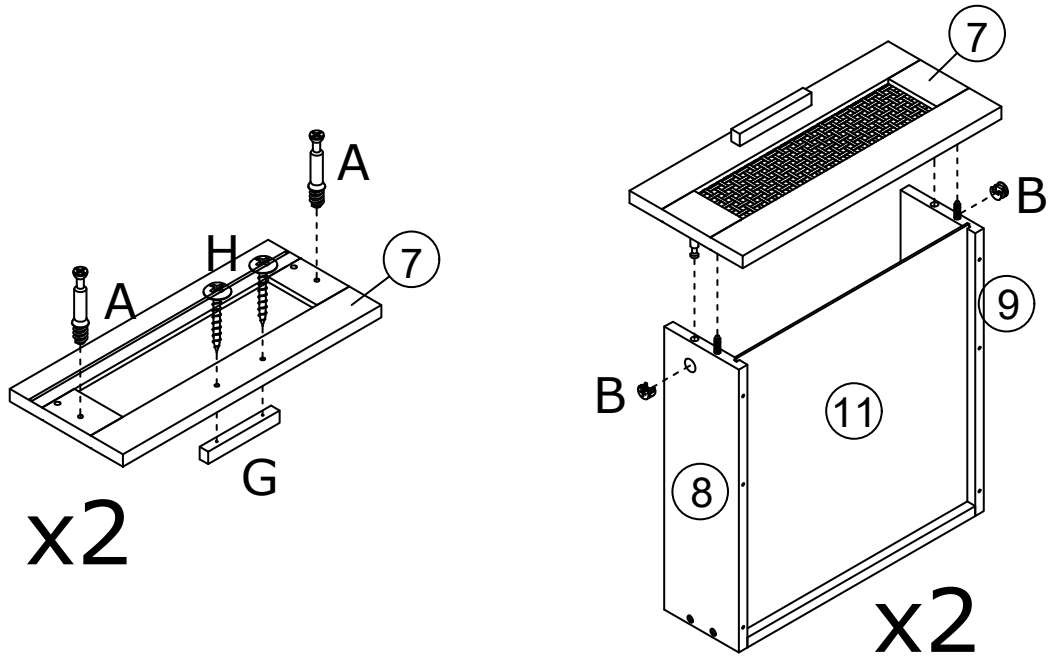
# TAHITI

Ref: FF-0013

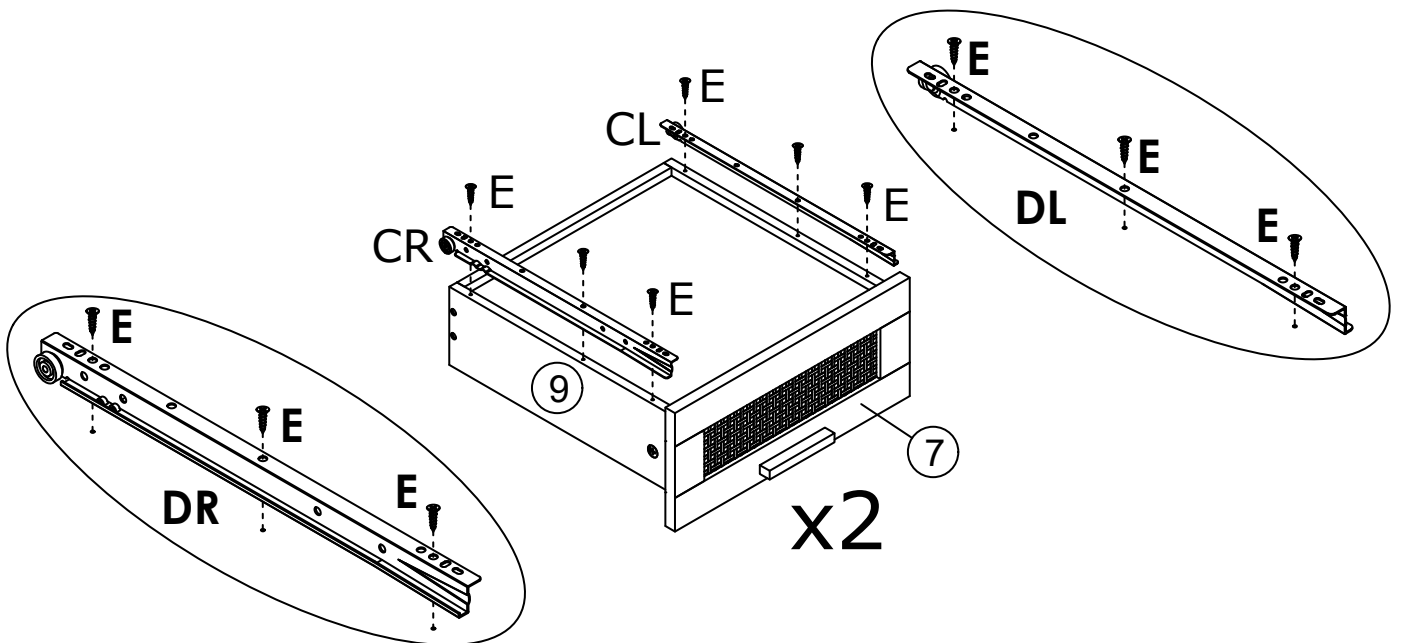
# KLAST

www.klathome.com

## STEP 10



## STEP 11



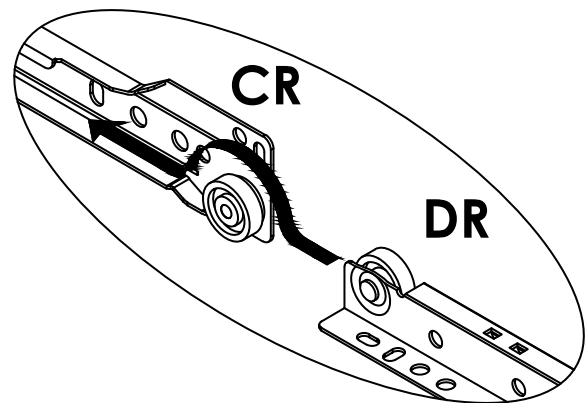
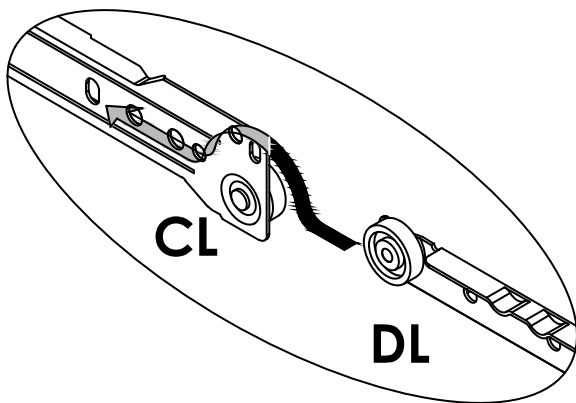
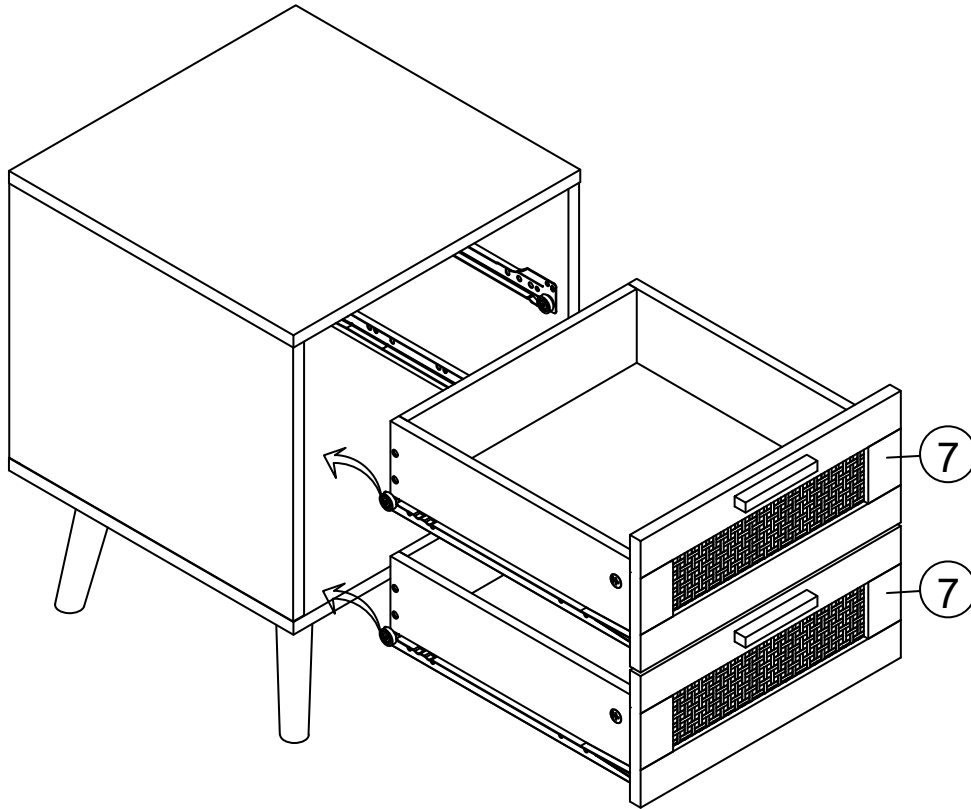
# TAHITI

Ref: FF-0013

# KLAST

www.klasthome.com

## STEP 12



## TAHITI

Ref: FF-0013