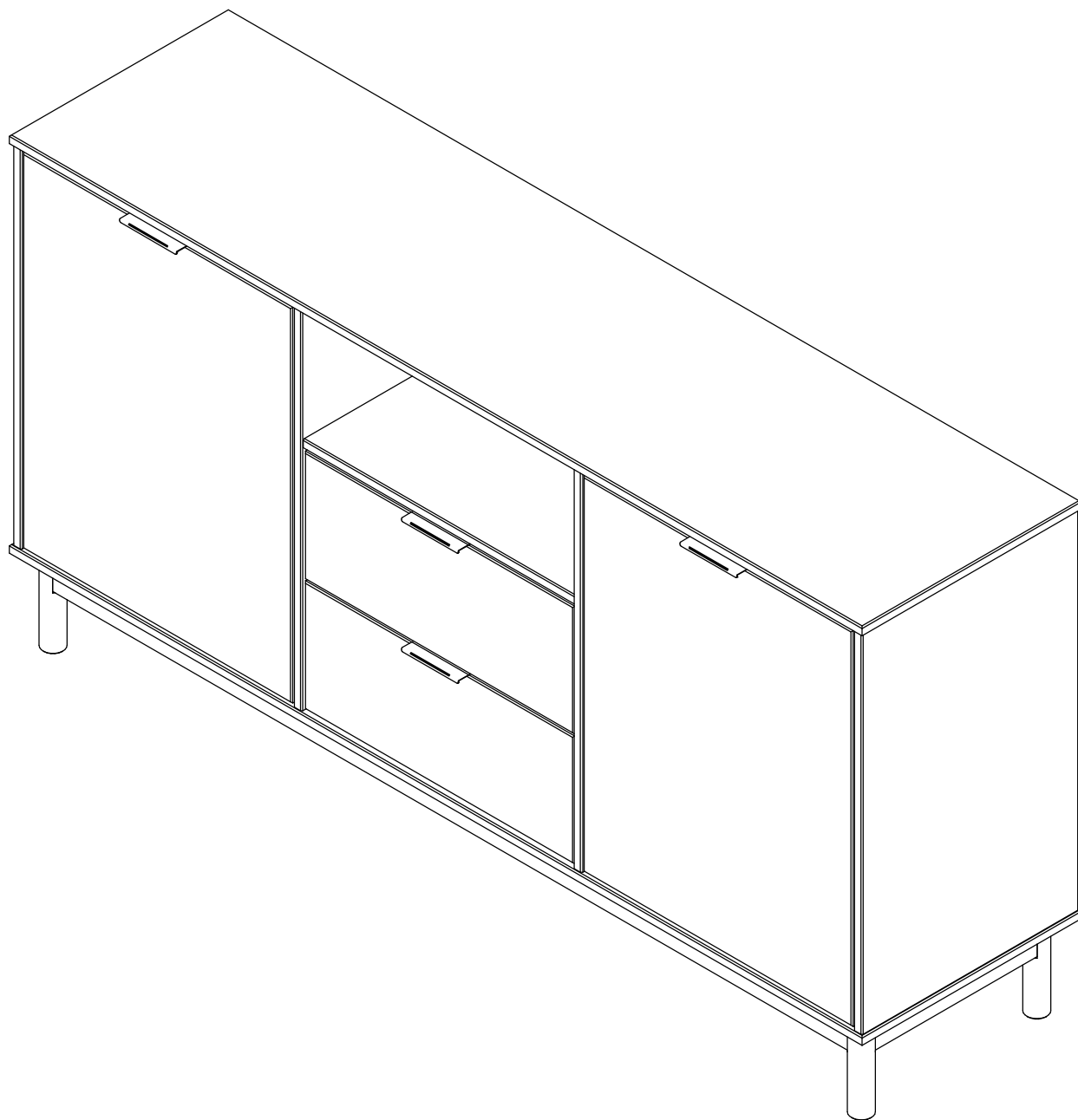


KLAST

www.klasthome.com



ELIAN

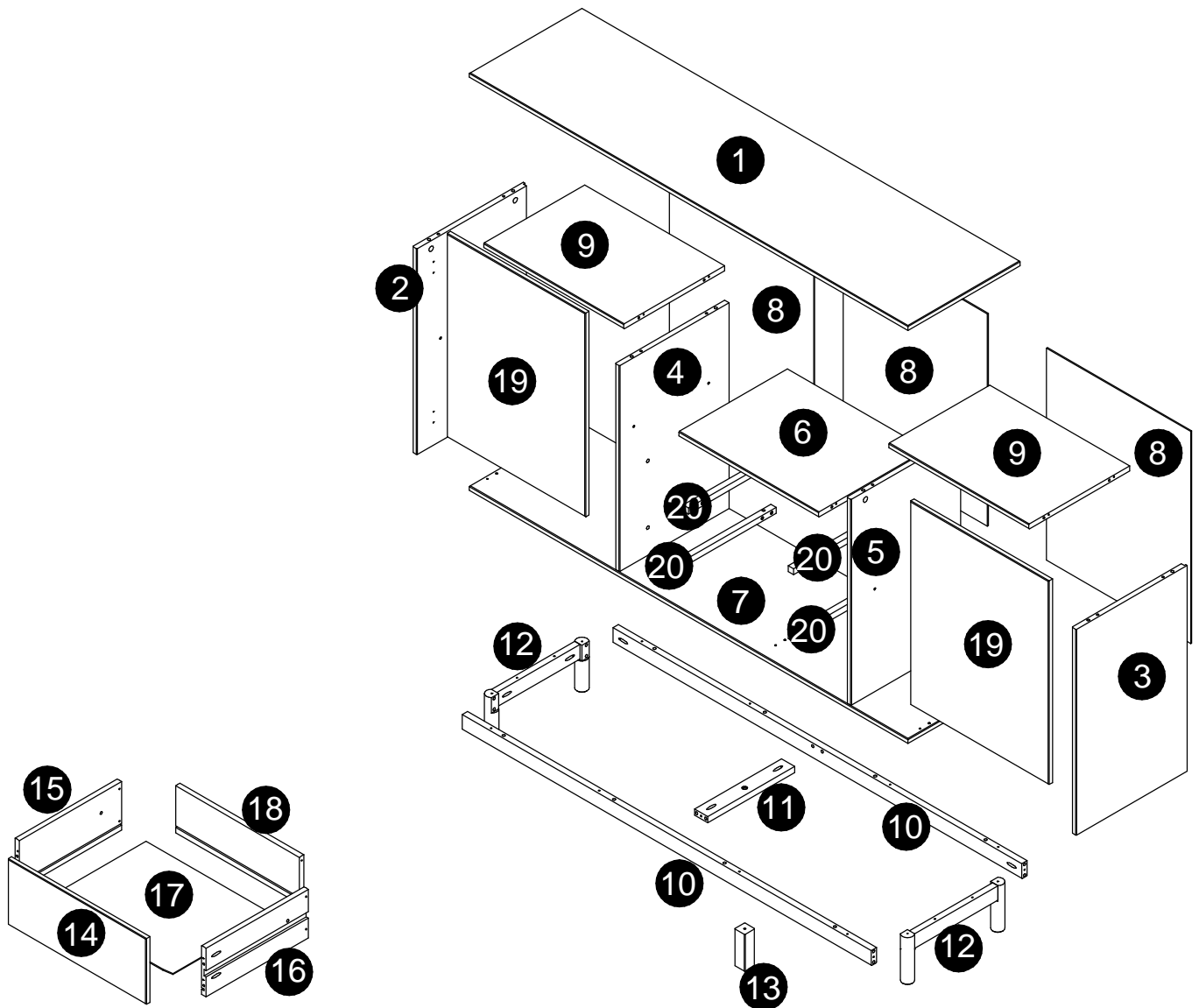
Ref:TL-0007

1/17

KLAST

www.klasthome.com

MATERIAL



ELIAN

Ref:TL-0007

2/17

KLAST

www.klasthome.com

MATERIAL



A

Ø6x30mm (36x)



B

Ø8x30mm (24x)



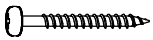
C

Ø3,5x12mm (20x)



D

Ø3,5x14mm (08x)



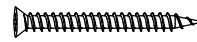
E

Ø3,5x30mm (22x)



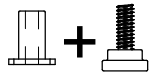
F

Ø3,5x35mm (16x)



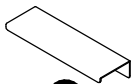
G

Ø3,5x35mm (16x)



H

(01x)



I

(04x)



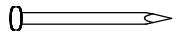
J

(08x)



K

(08x)



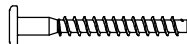
L

(32x)



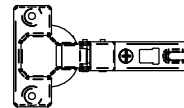
M

(08x)



N

Ø7,0x50mm (01x)



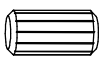
O

(04x)



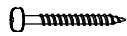
P

(04x)



Q

Ø10x20mm (08x)



R

Ø3,5x25mm (08x)



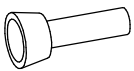
S

(02x)



T

(02x)



U

(04x)



V

Ø3,0x12mm (04x)



W

(04x)



X

(02x)



Y

(02x)



Z

Ø3,5x20mm (02x)

ELIAN

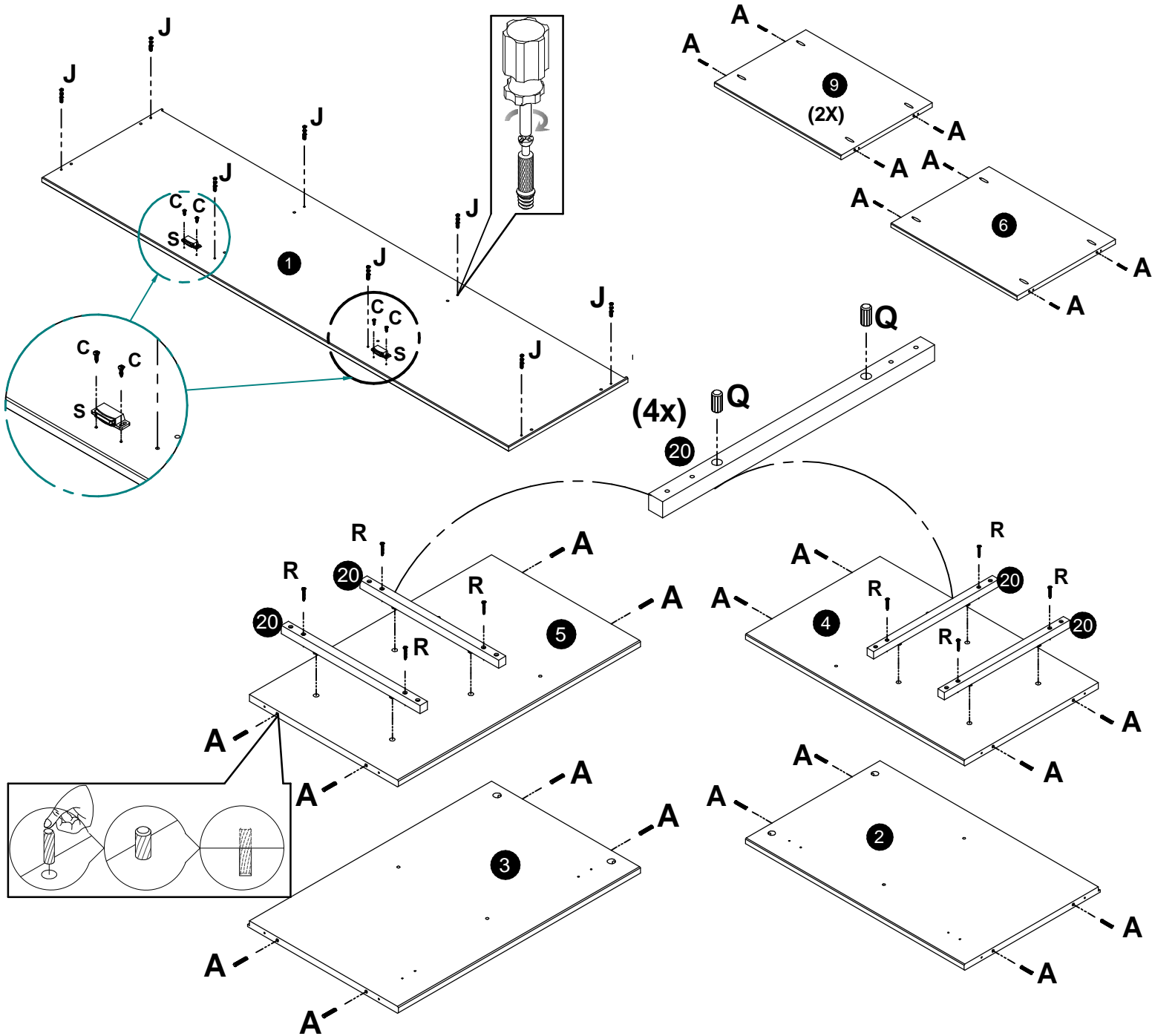
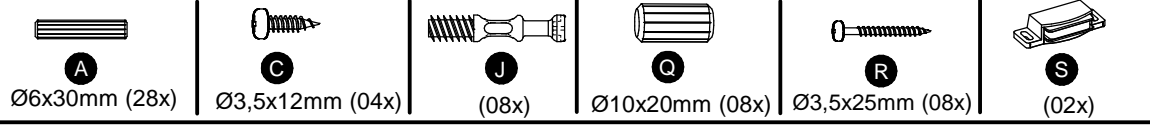
Ref:TL-0007

3/17

KLAST

www.klasthome.com

STEP 1



ELIAN

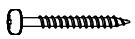
Ref:TL-0007

4/17

KLAST

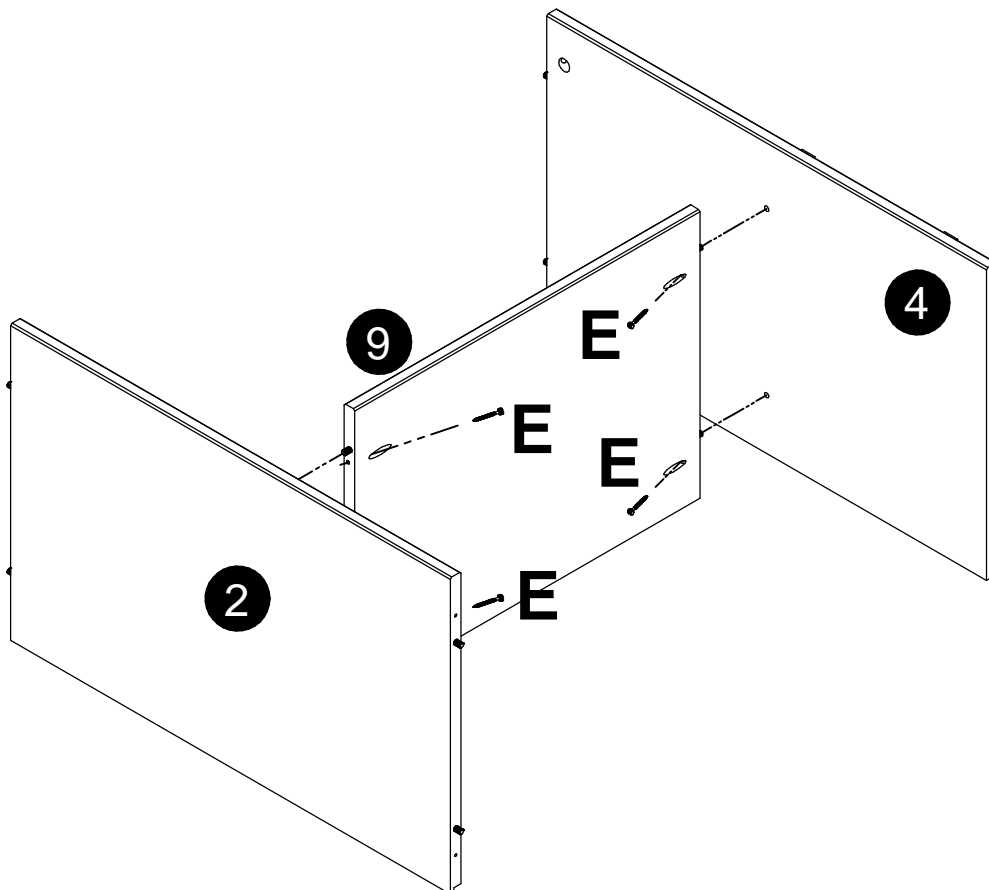
www.klathome.com

STEP 2

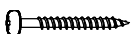


E

Ø3,5x30mm (04x)

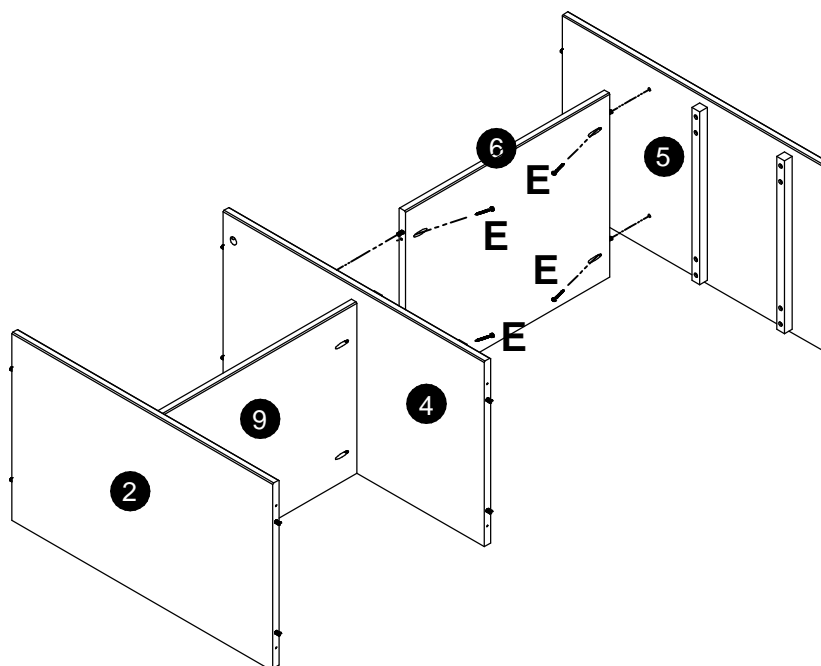


STEP 3



E

Ø3,5x30mm (04x)



ELIAN

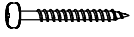
Ref:TL-0007

5/17

KLAST

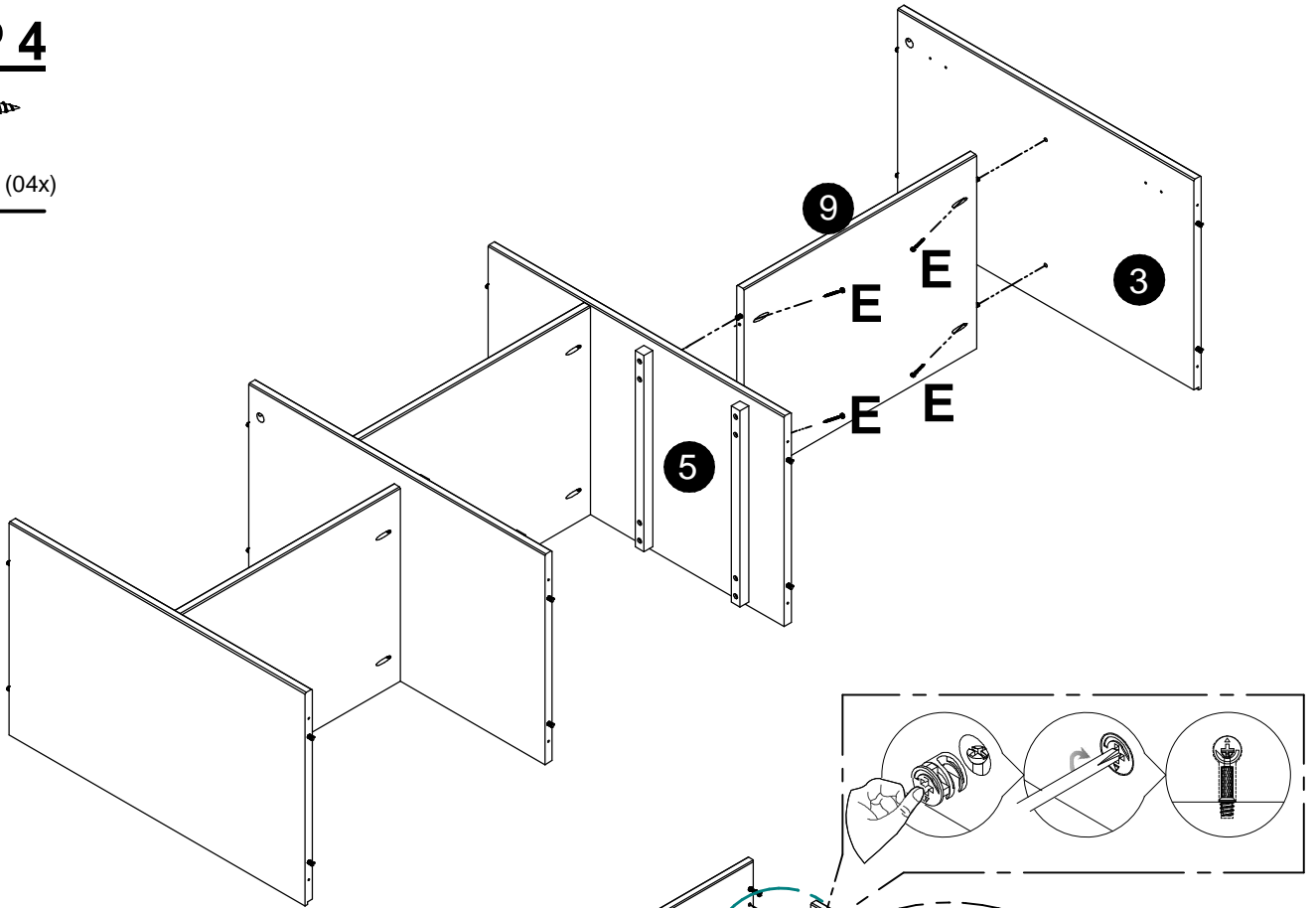
www.klasthome.com

STEP 4



E

Ø3,5x30mm (04x)

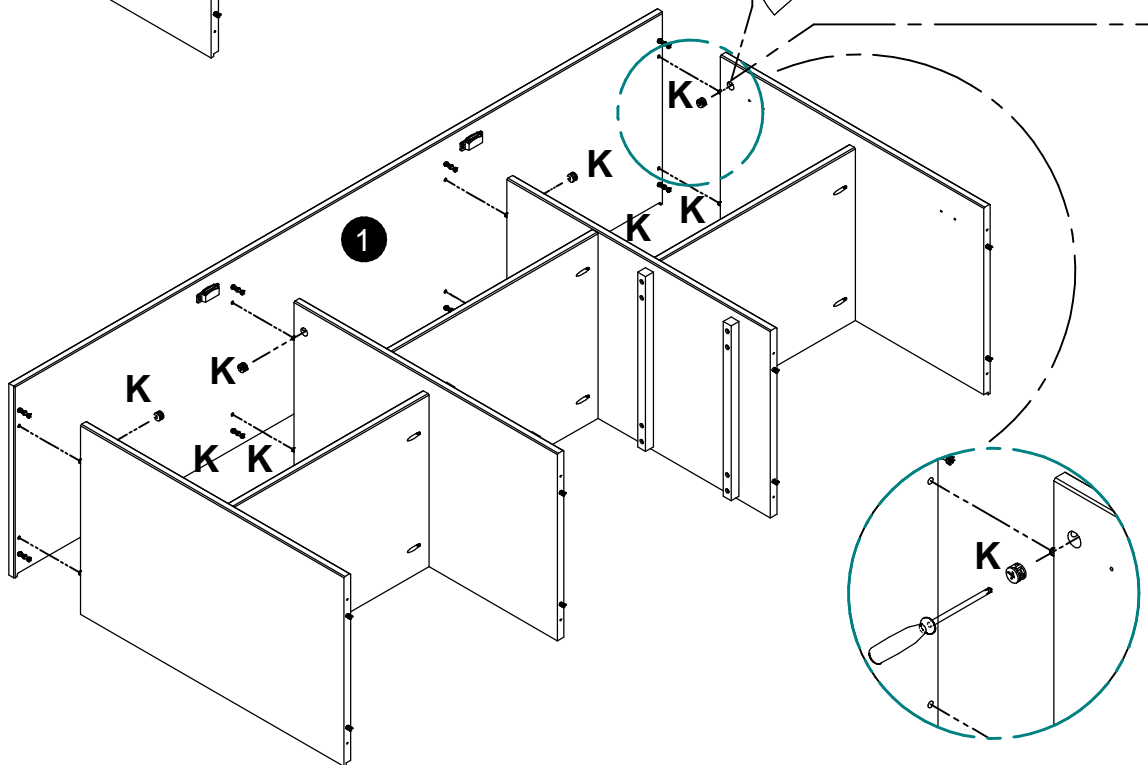


STEP 5



K

(8x)



ELIAN

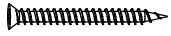
Ref:TL-0007

6/17

KLAST

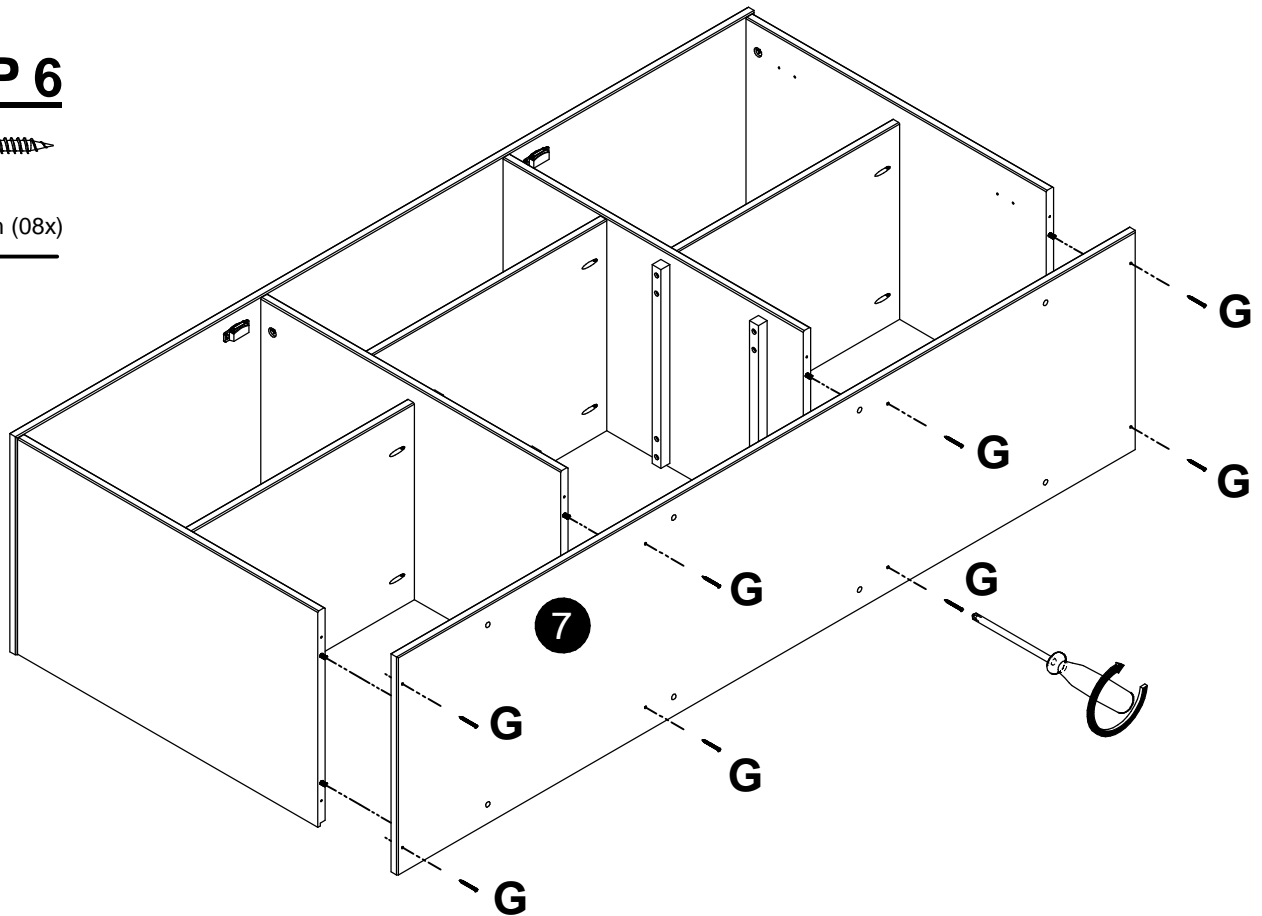
www.klasthome.com

STEP 6



G

Ø3,5x35mm (08x)

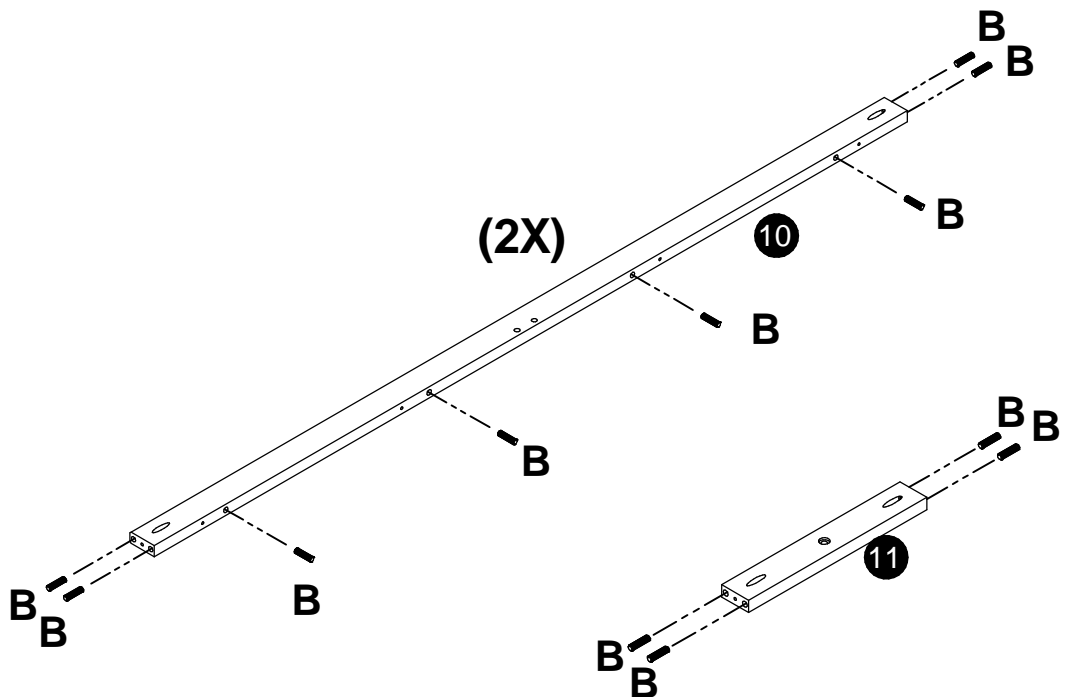


STEP 7



B

Ø8x30mm (20x)



ELIAN

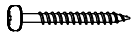
Ref:TL-0007

7/17

KLAST

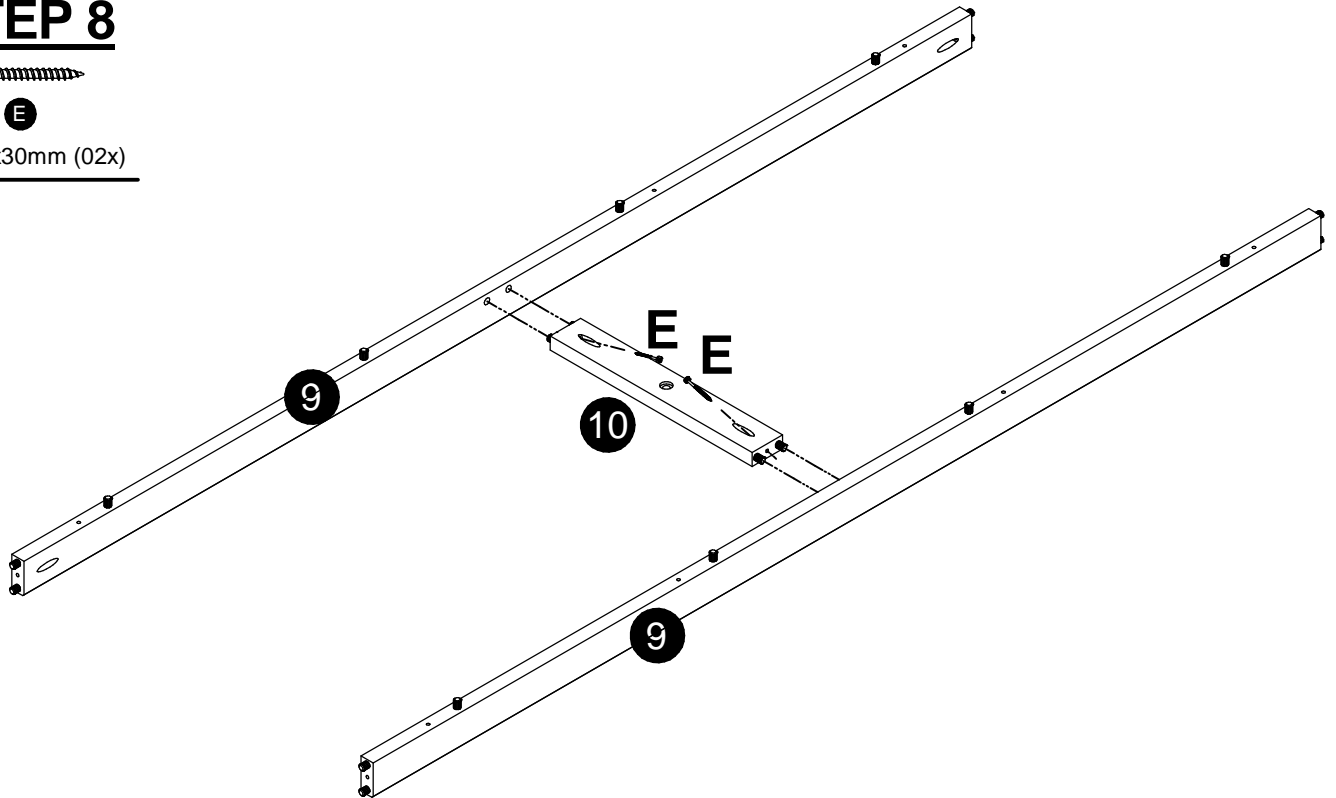
www.klasthome.com

STEP 8

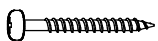


E

Ø3,5x30mm (02x)

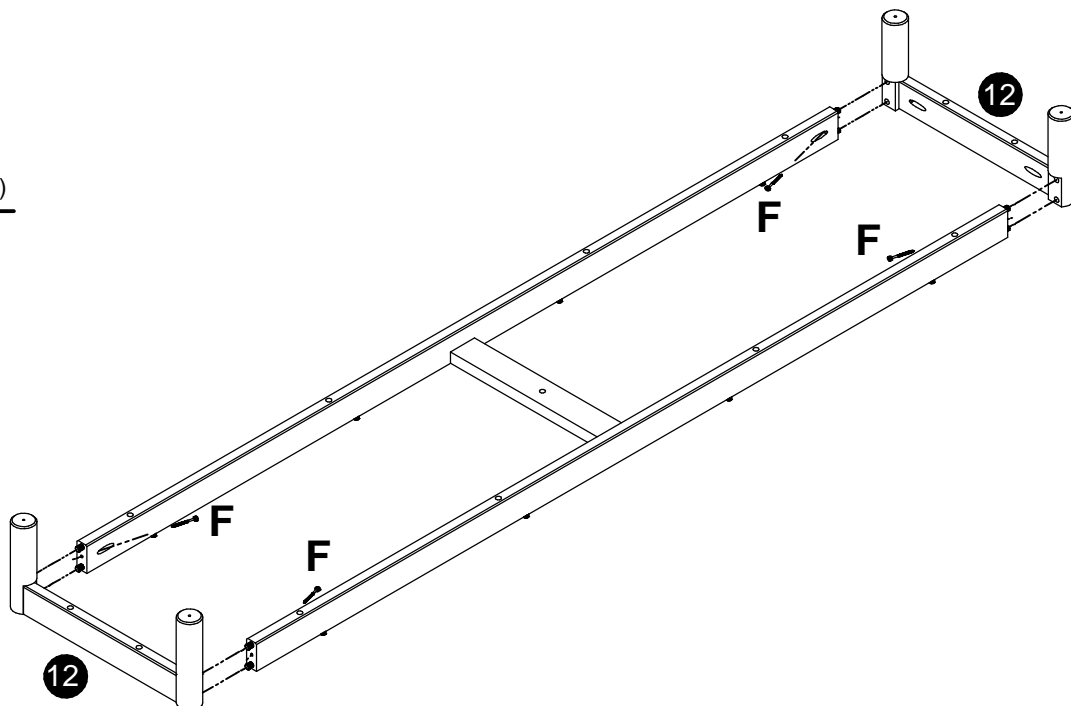


STEP 9



F

Ø3,5x35mm (04x)



ELIAN

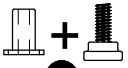
Ref:TL-0007

8/17

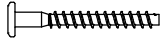
KLAST

www.klasthome.com

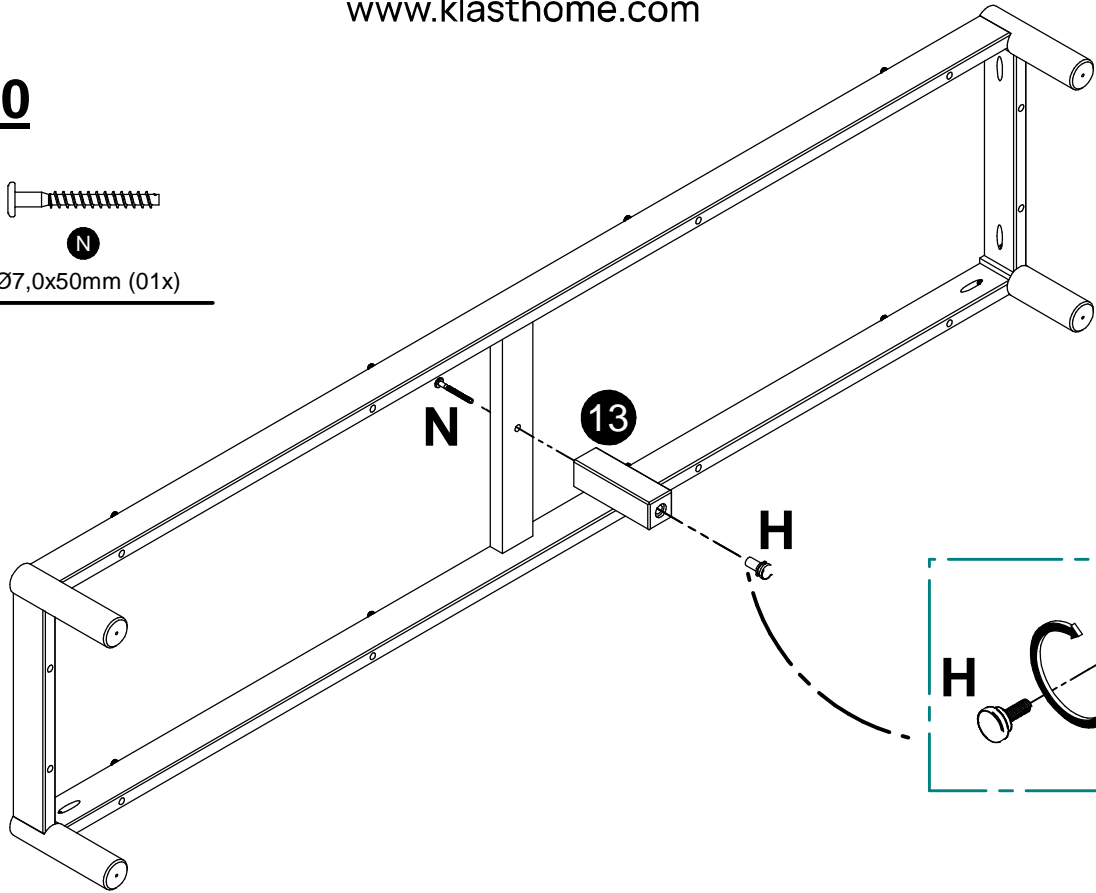
STEP 10



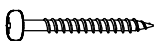
(01x)



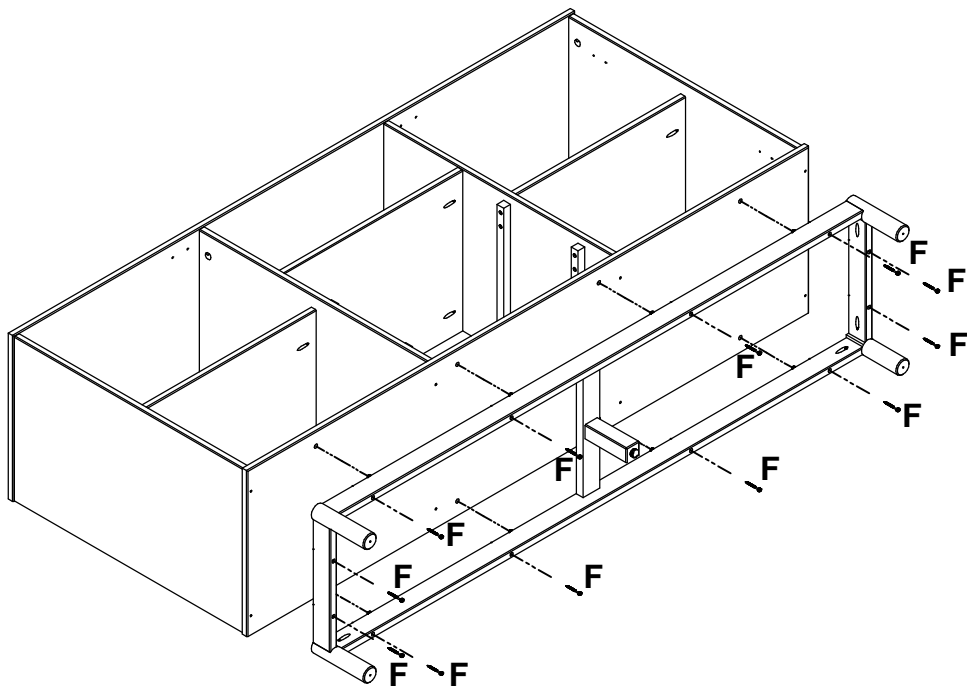
Ø7,0x50mm (01x)



STEP 11



Ø3,5x35mm (12x)



ELIAN

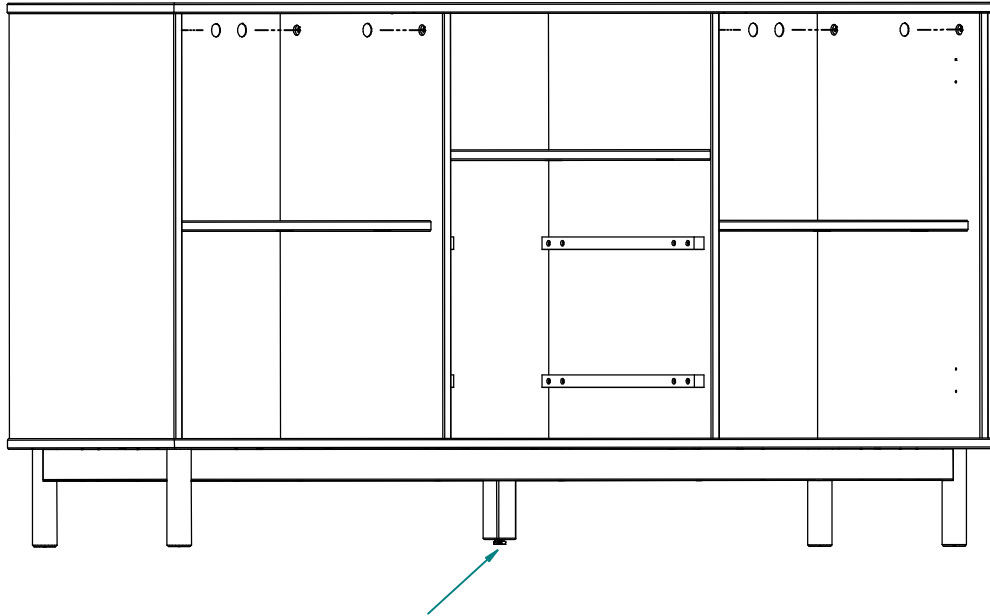
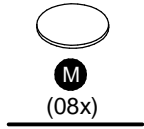
Ref:TL-0007

9/17

KLAST

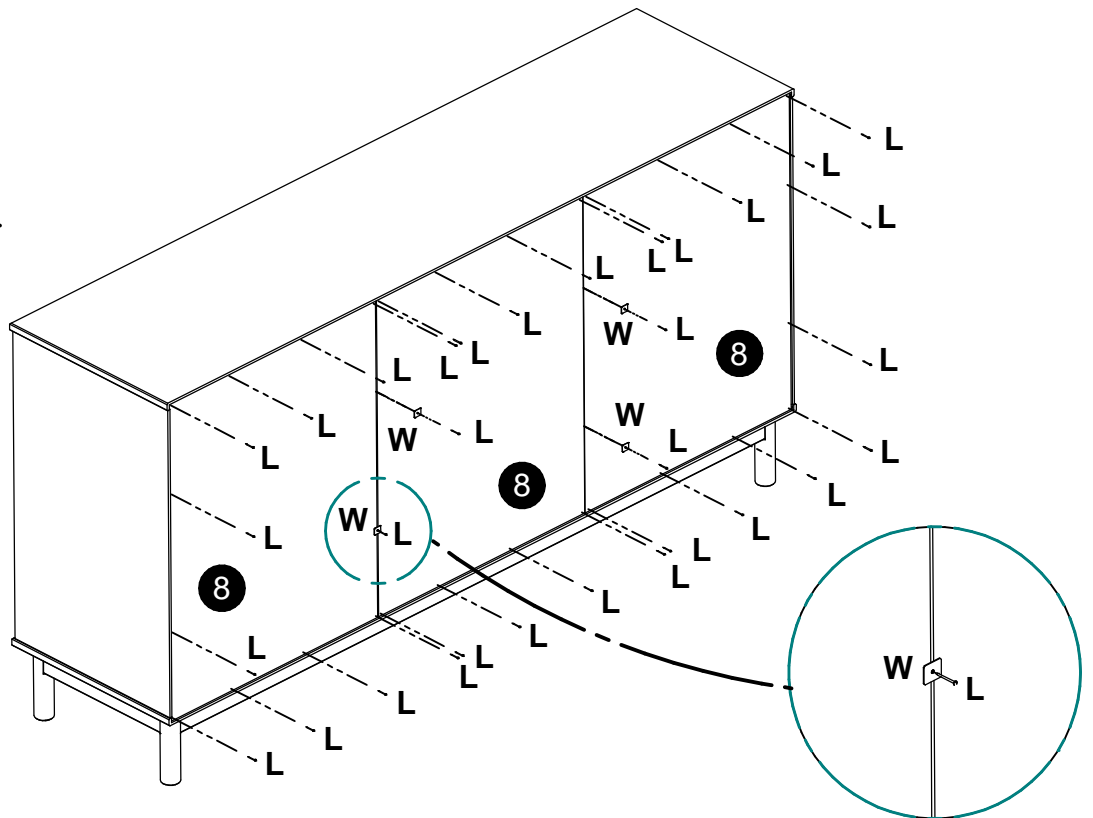
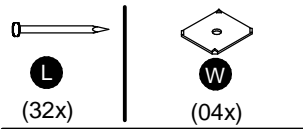
www.klasthome.com

STEP 12



- YOUR PRODUCT HAS A HEIGHT LEVELER, SO THAT THE PRODUCT IS ALIGNED.

STEP 13



ELIAN

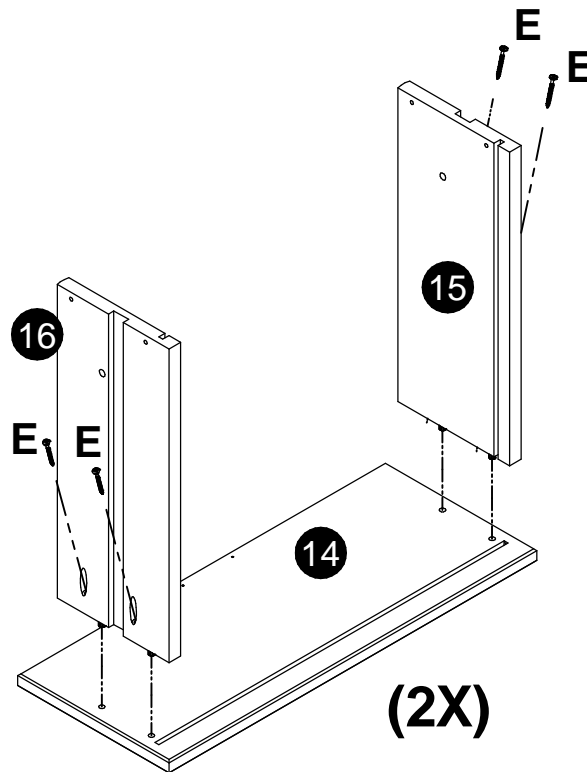
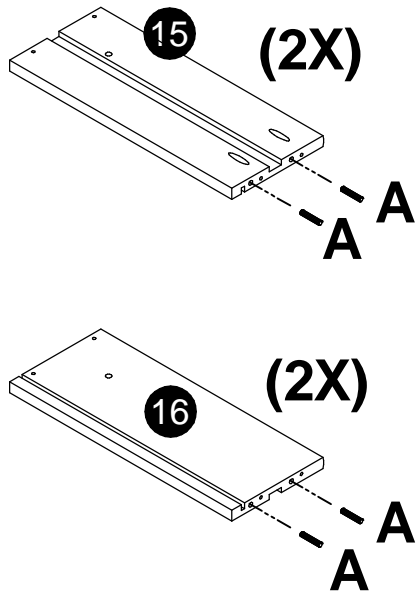
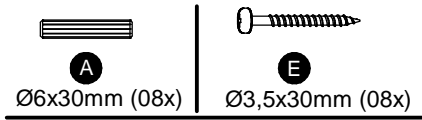
Ref:TL-0007

10/17

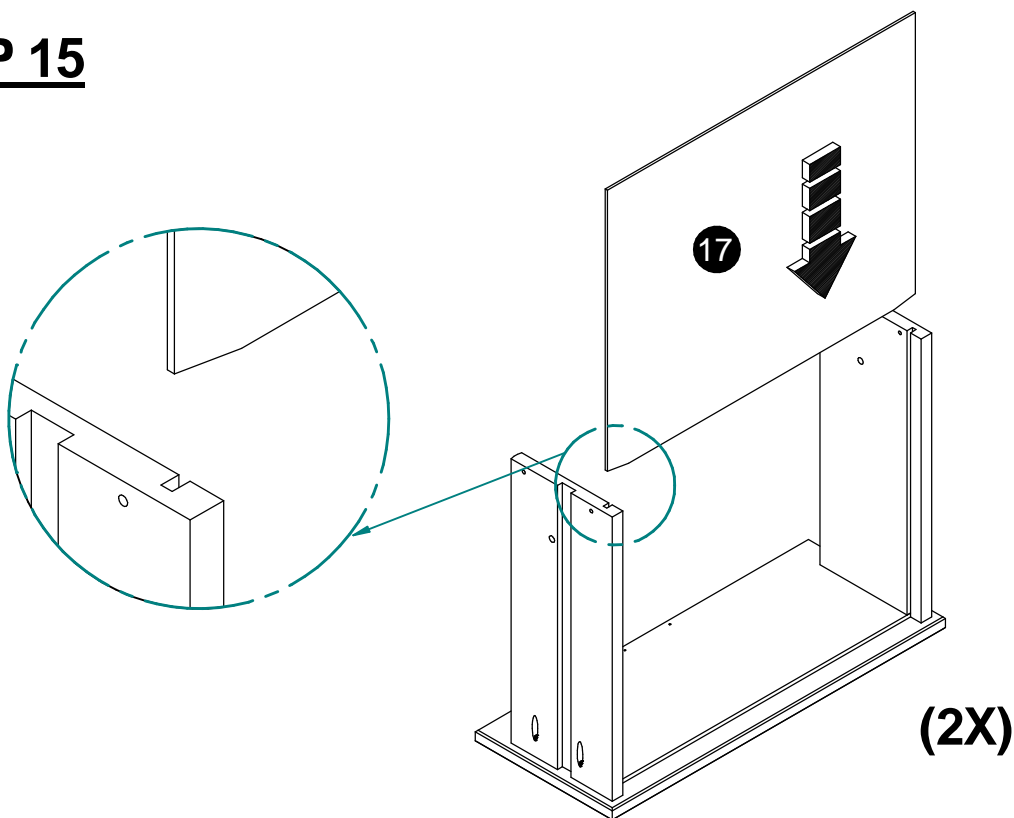
KLAST

www.klasthome.com

STEP 14



STEP 15



ELIAN

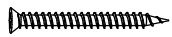
Ref:TL-0007

11/17

KLAST

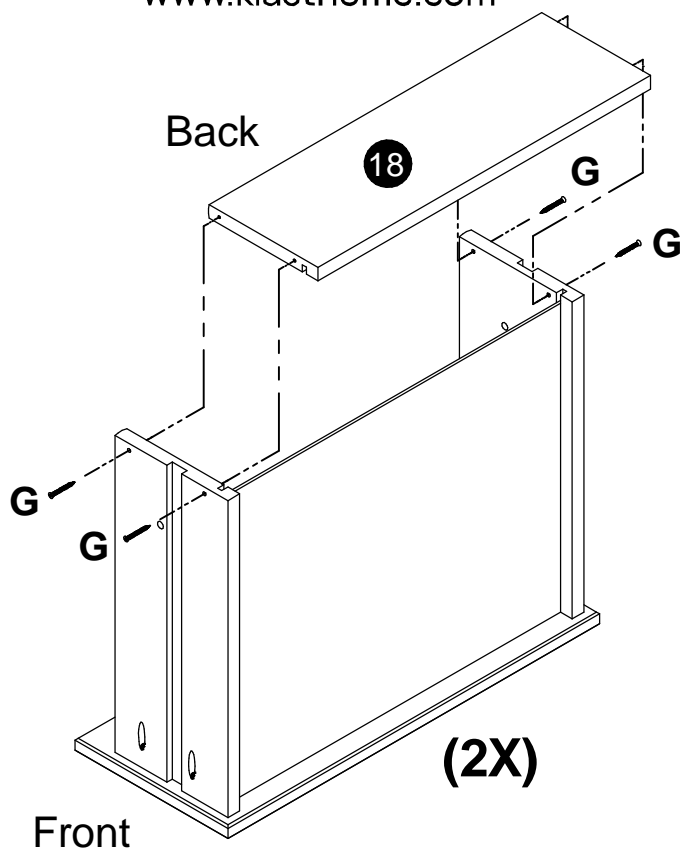
www.klasthome.com

STEP 16



G

Ø3,5x35mm (08x)

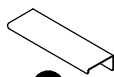


STEP 17



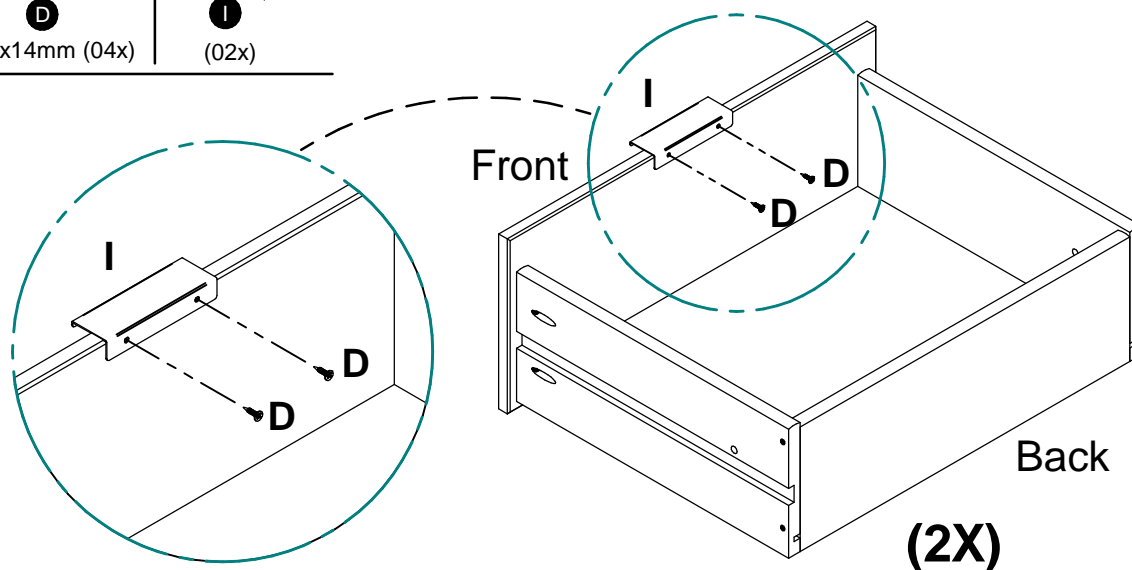
D

Ø3,5x14mm (04x)



I

(02x)



ELIAN

Ref:TL-0007

12/17

KLAST

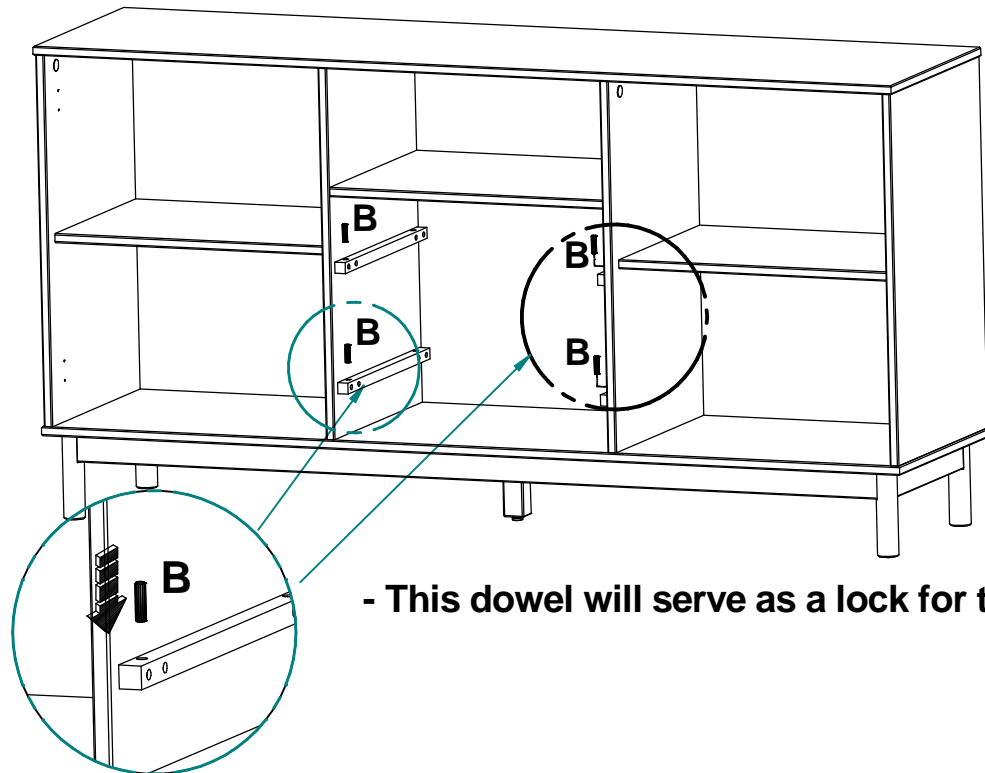
www.klasthome.com

STEP 18



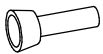
B

Ø8x30mm (04x)



- This dowel will serve as a lock for the drawer.

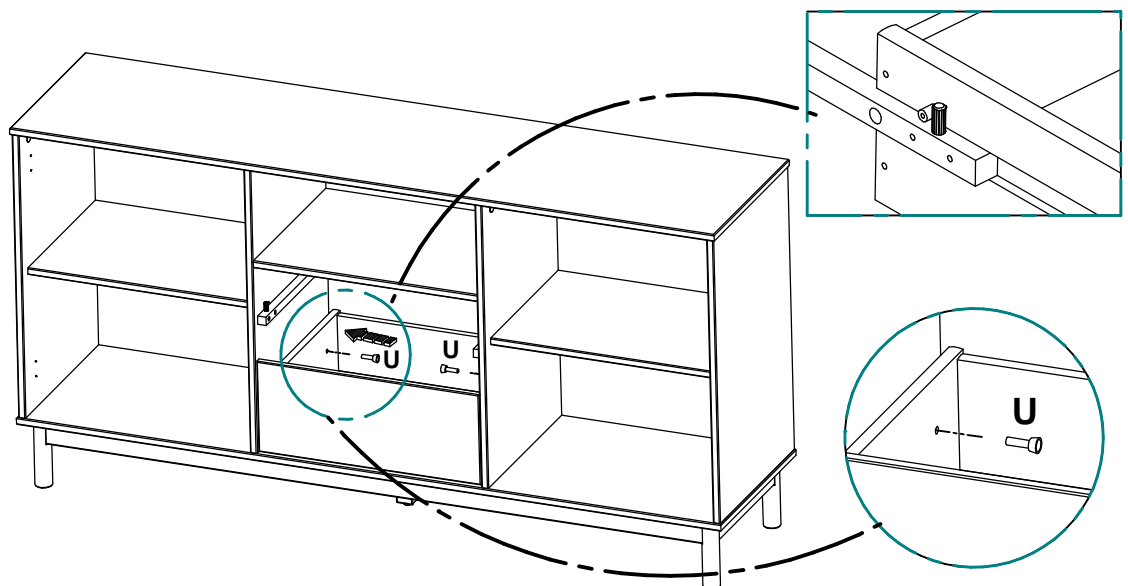
STEP 19



U

(04x)

- After inserting the drawer, fit hardware "U" to complete the drawer locking, as shown image below.



ELIAN

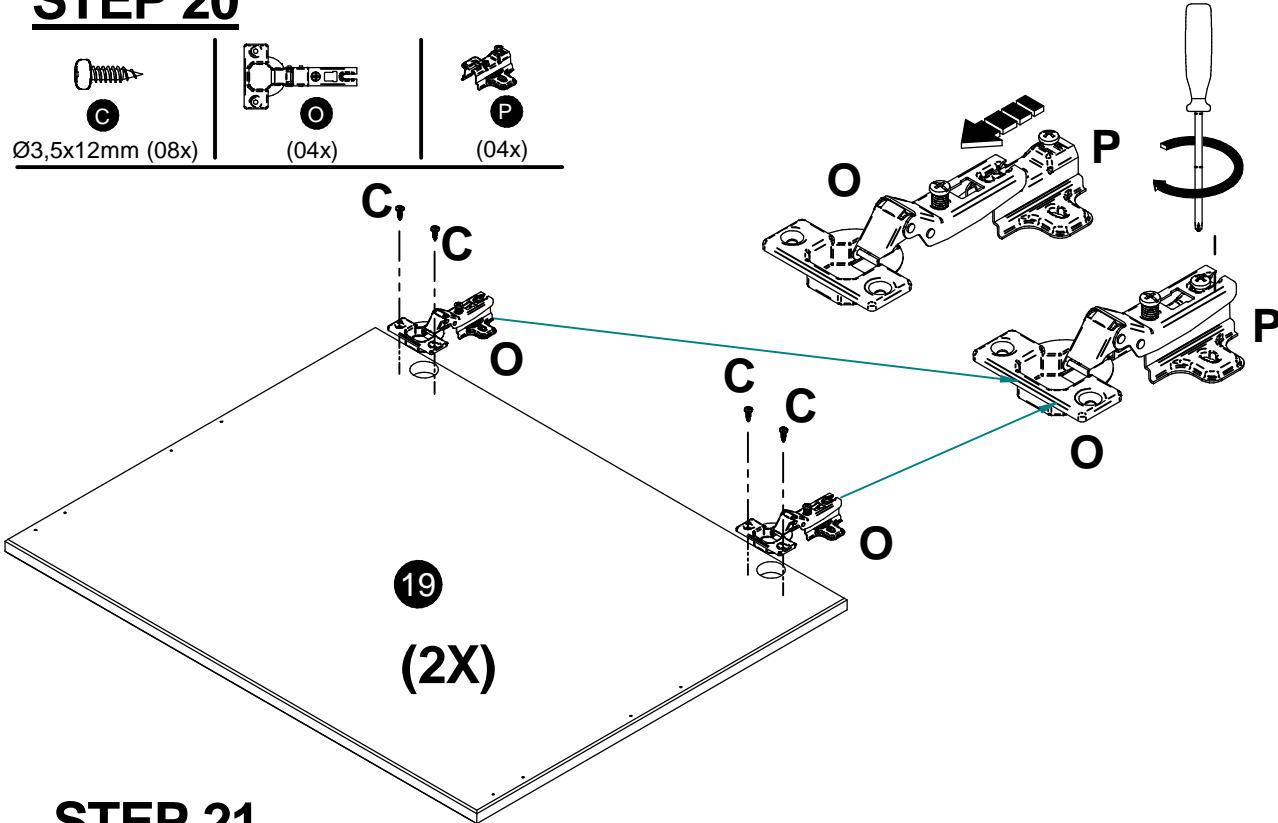
Ref:TL-0007

13/17

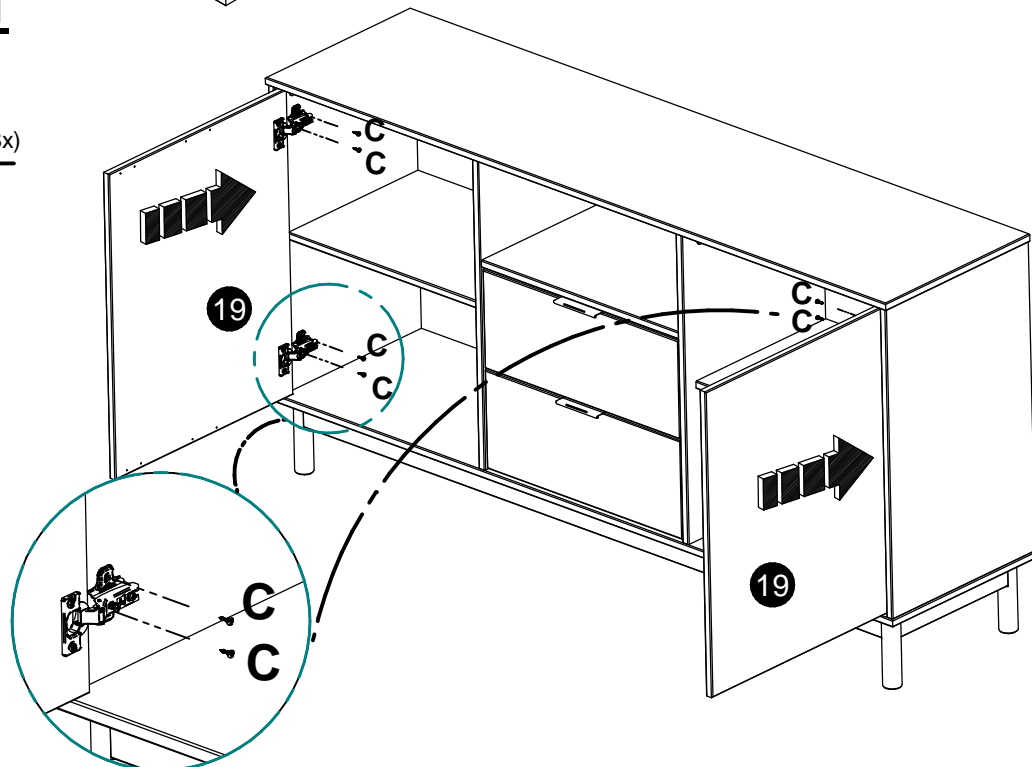
KLAST

www.klathome.com

STEP 20



STEP 21



ELIAN

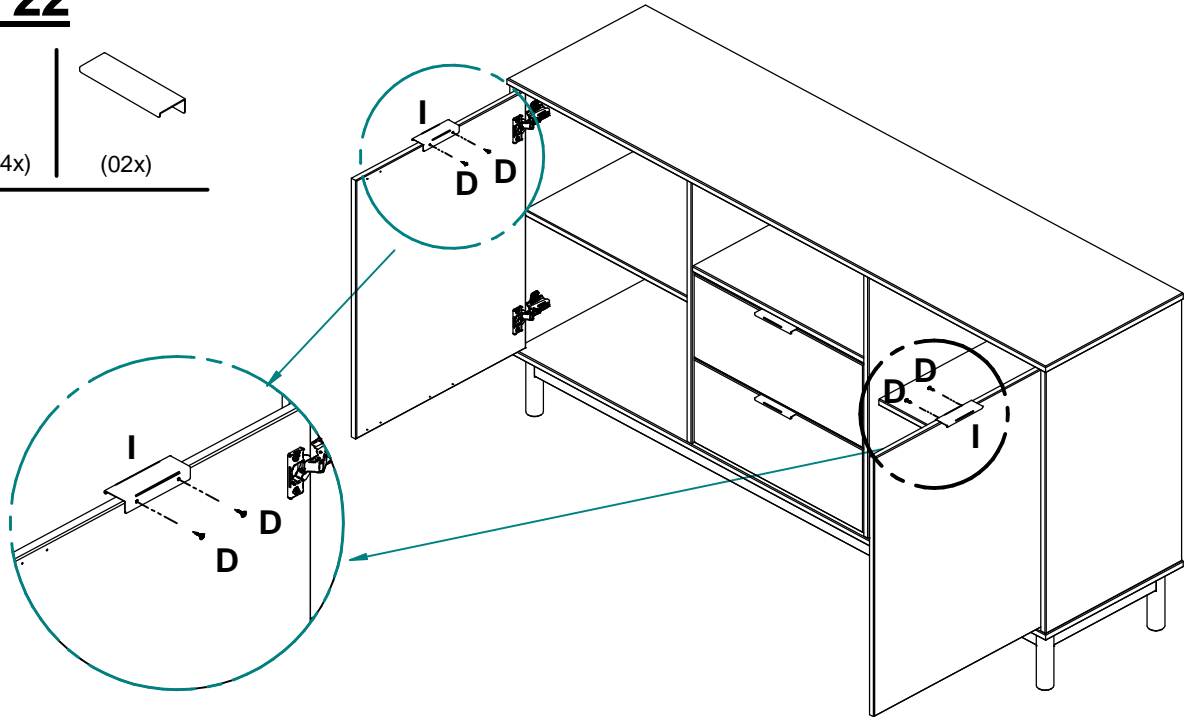
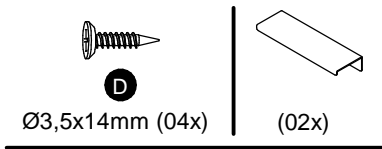
Ref:TL-0007

14/17

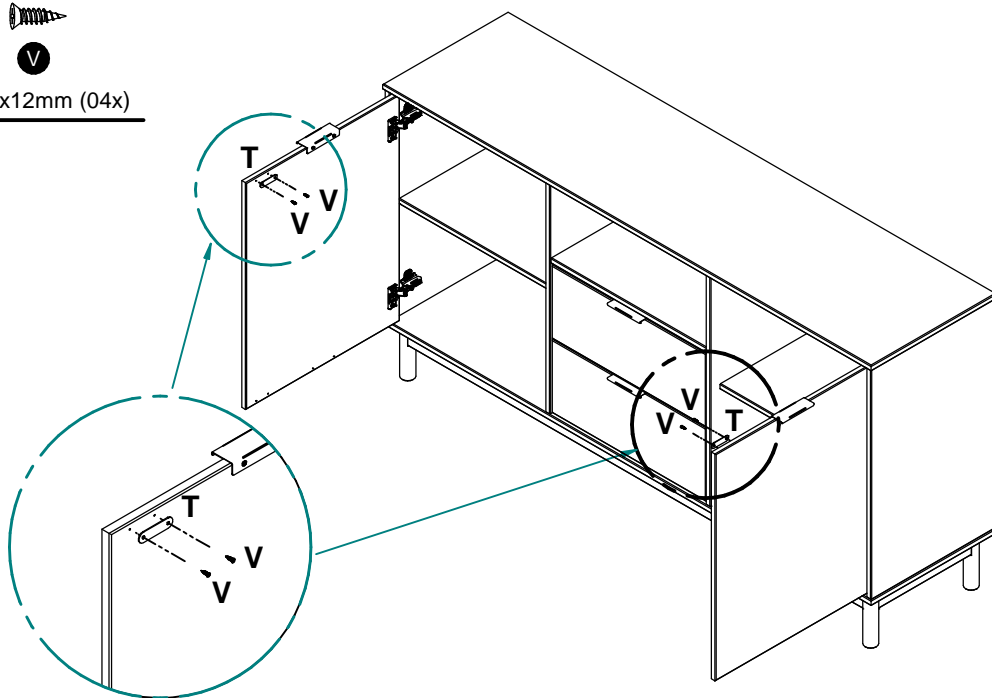
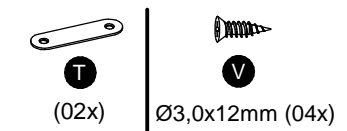
KLAST

www.klasthome.com

STEP 22



STEP 23



ELIAN

Ref:TL-0007

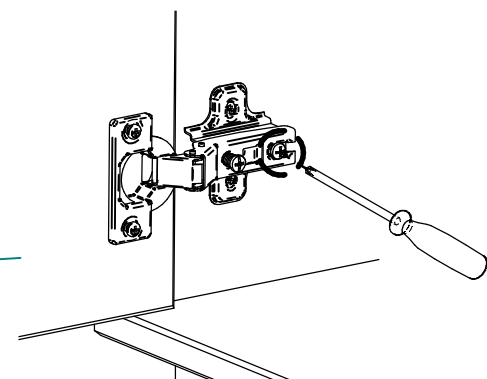
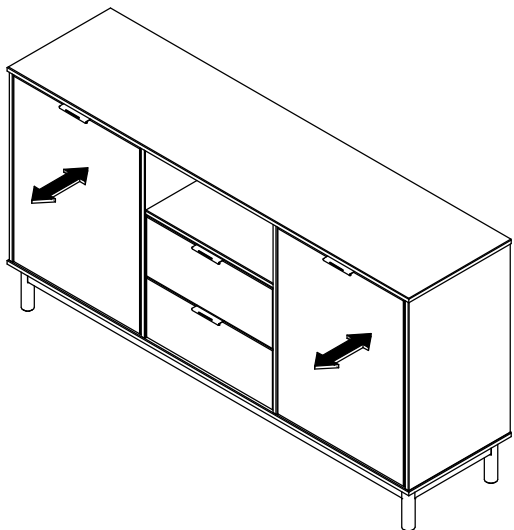
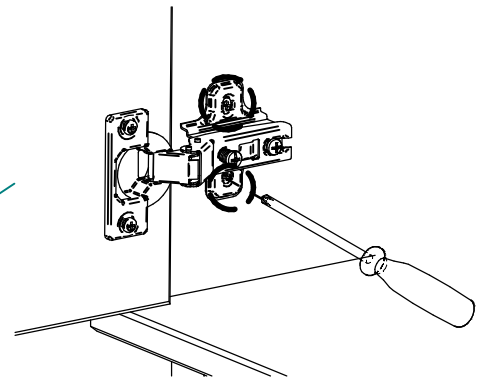
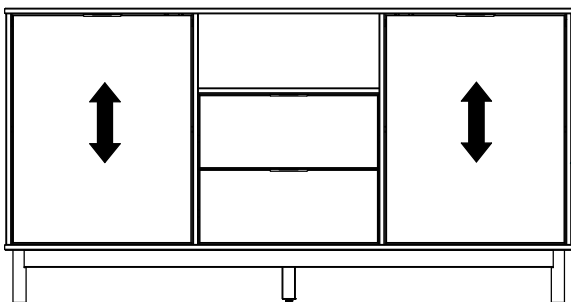
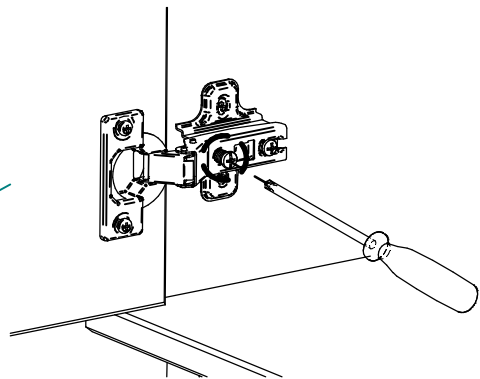
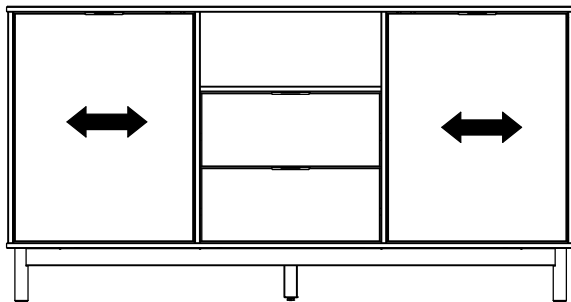
15/17

KLAST

www.klasthome.com

STEP 24

- DOOR ADJUSTMENT



ELIAN

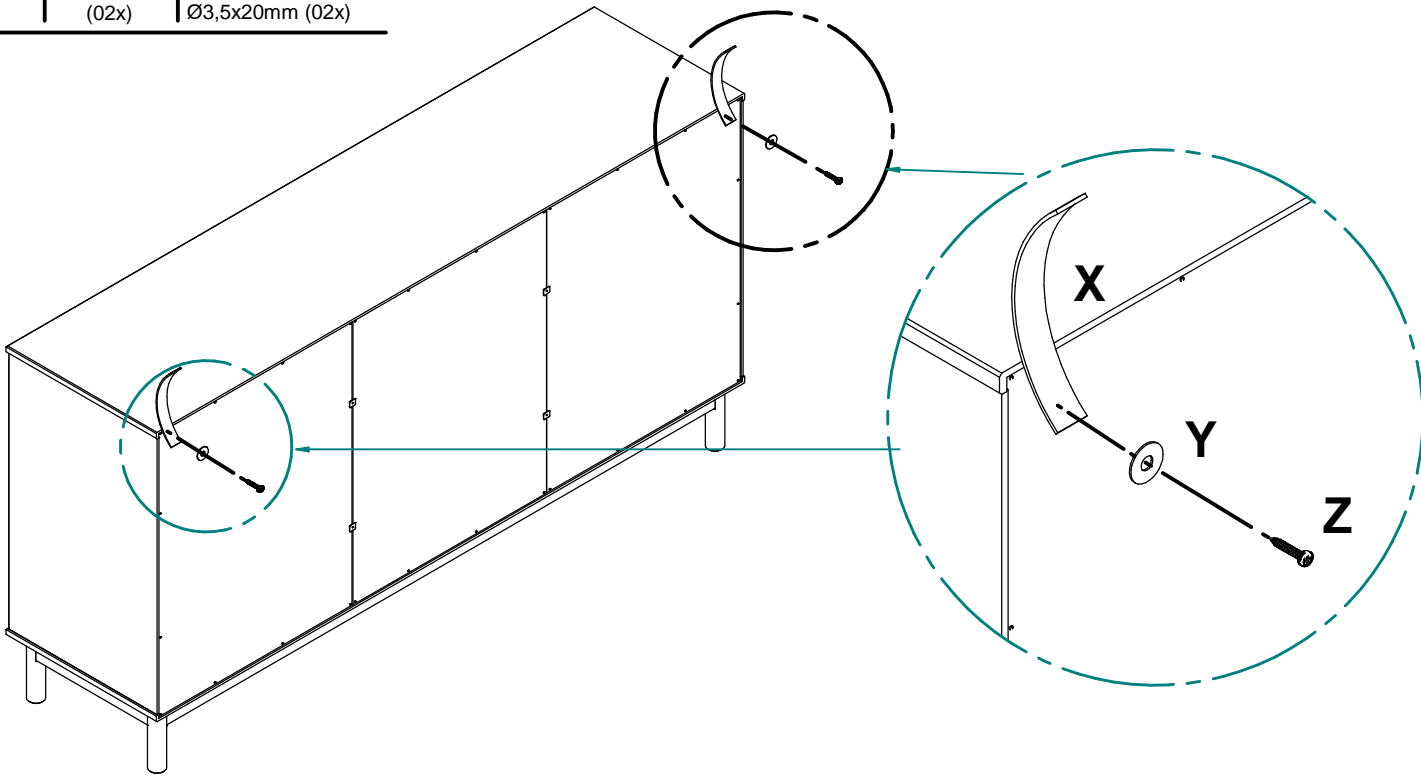
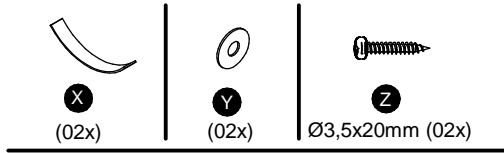
Ref:TL-0007

16/17

KLAST

www.klathome.com

STEP 25



Attention

- Fix textile strap using screw and washer to the back/top of the product as shown above.
- Place your product in the final position. Mark the wall with a pencil where the hole will be drilled.
- Check for hidden gas and water pipes and/or electrical wiring. Drill holes and fit an appropriate wall plug (not supplied) for your wall type. Screw the straps to the wall. Choose an appropriate screw to secure. If in any doubt please consult a professional.

ELIAN

Ref:TL-0007

17/17