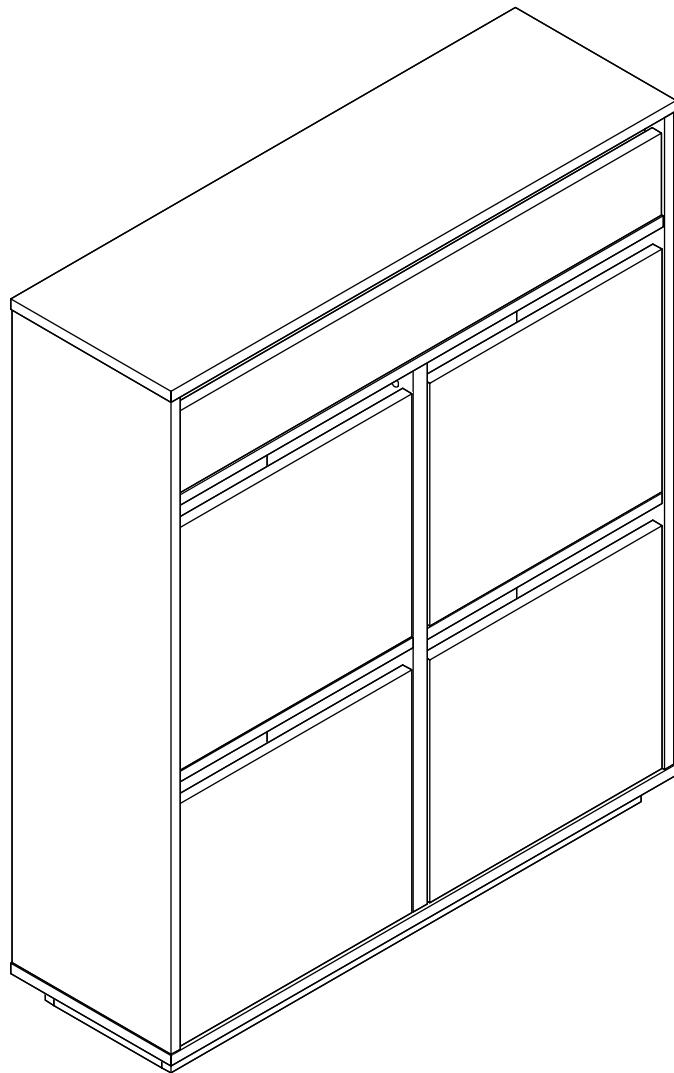


KLAST

www.klasthome.com



OSLO

Ref: LH-0013

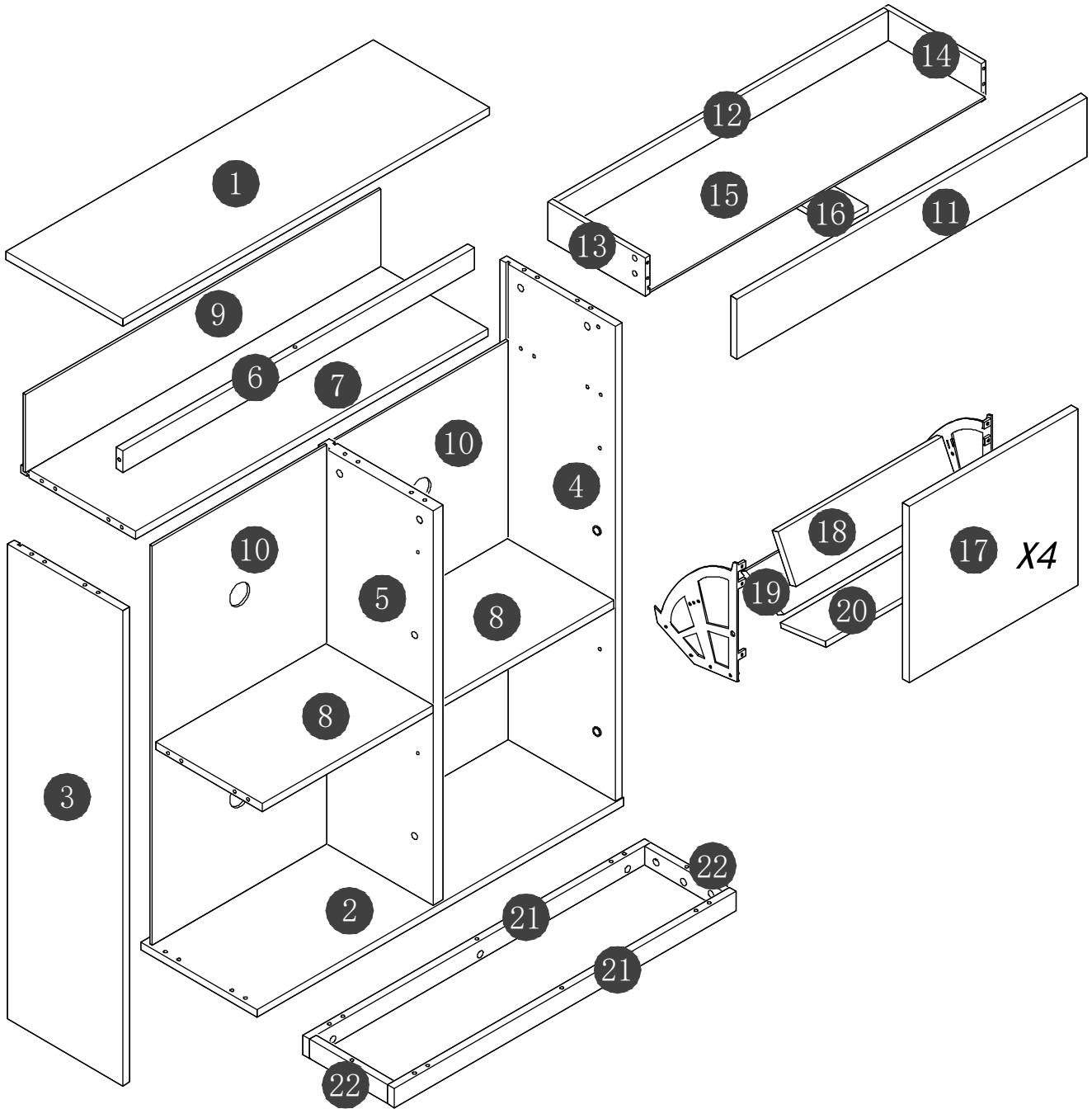
1/15

-V3.0-

KLAST

www.klasthome.com

MATERIAL



OSLO

Ref: LH-0013

2/15

-V3.0-

KLAST

www.klasthome.com

MATERIAL



M6x40 mm
A1 x21 PC



M6x35 mm
A2 x12 PC



Ø8x30 mm
B x28 PC



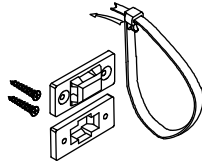
Ø15x12 mm
C x33 PC



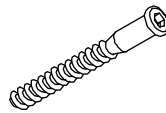
Ø21 mm
D x43 PC



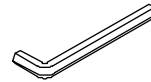
E x16 PC



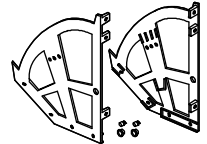
F x1 PC



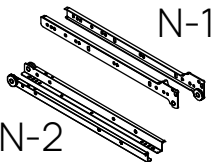
Ø7x50 mm
Q x6 PC



H x1 PC



W x4 PC



200 mm
N x1 PC



M6x34 mm
O x10 PC



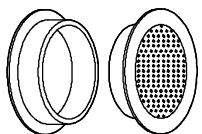
Ø12x10.5 mm
P x10 PC



M3.5x12 mm
V1 x18 PC



M4x18 mm
V2 x64 PC



Y x4 PC

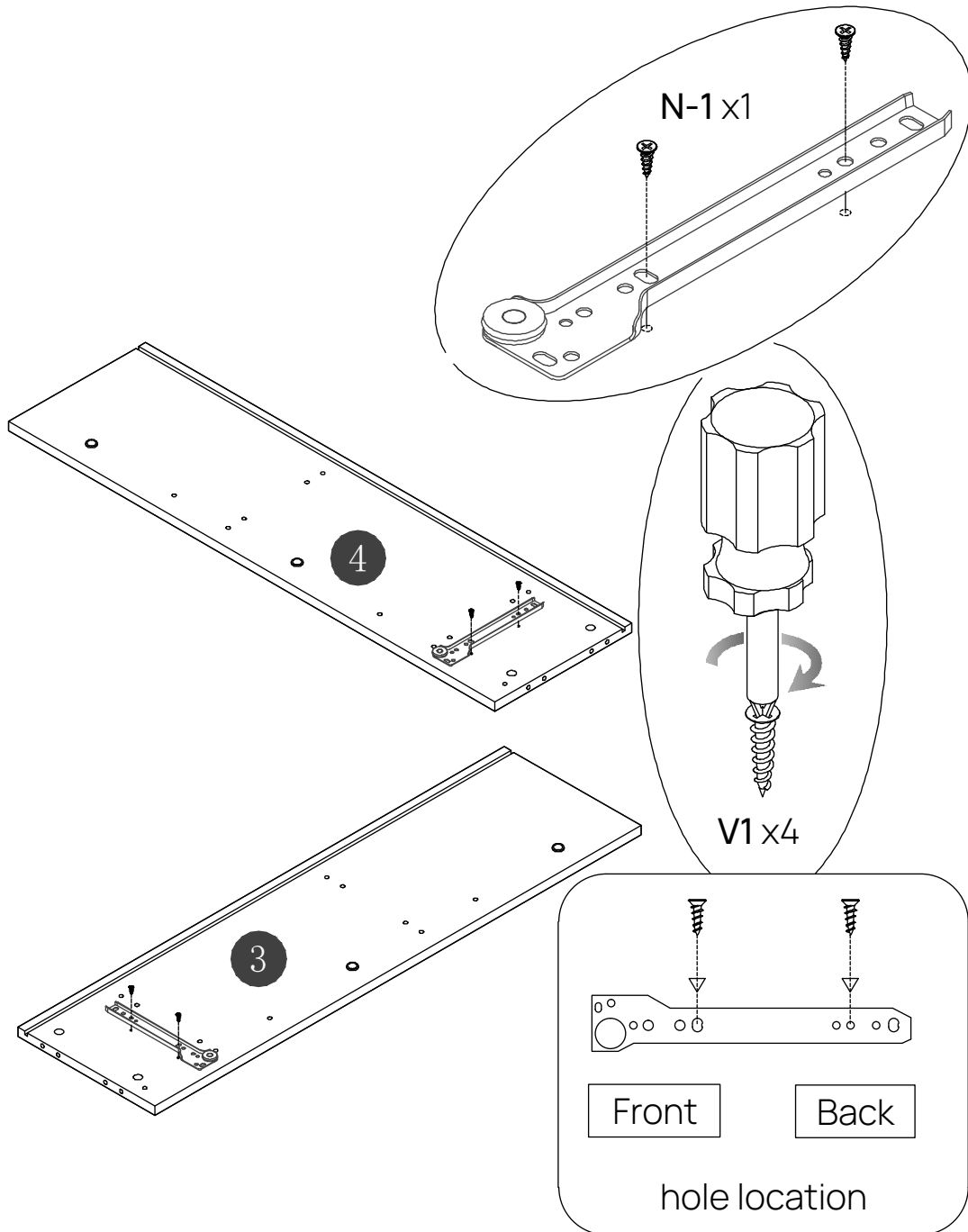
OSLO

Ref: LH-0013

KLAST

www.klasthome.com

STEP 1



OSLO

Ref: LH-0013

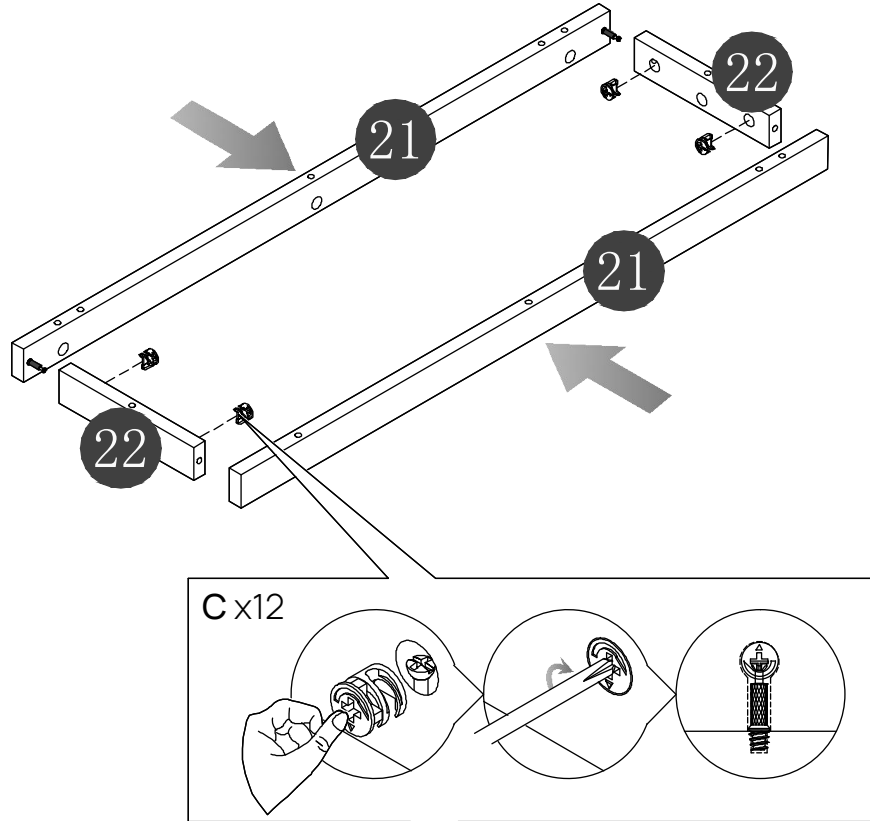
4/15

-V3.0-

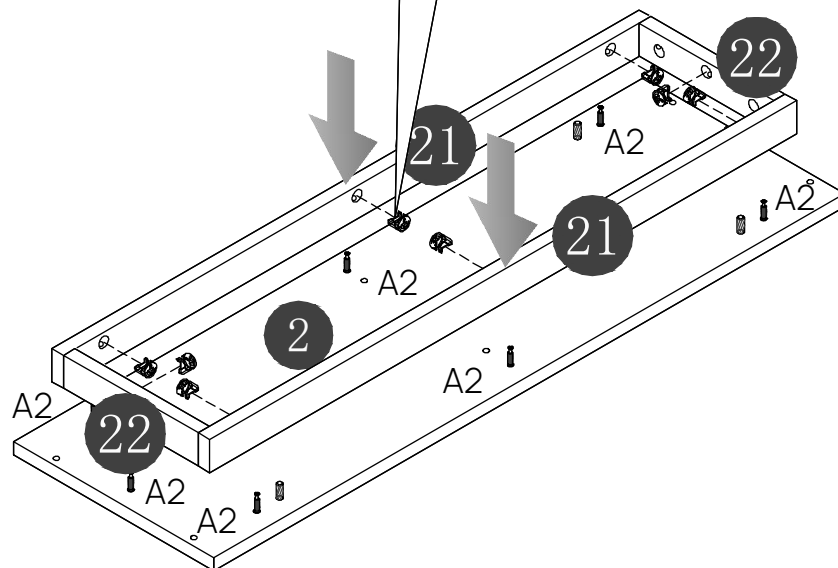
KLAST

www.klasthome.com

STEP 3



STEP 4



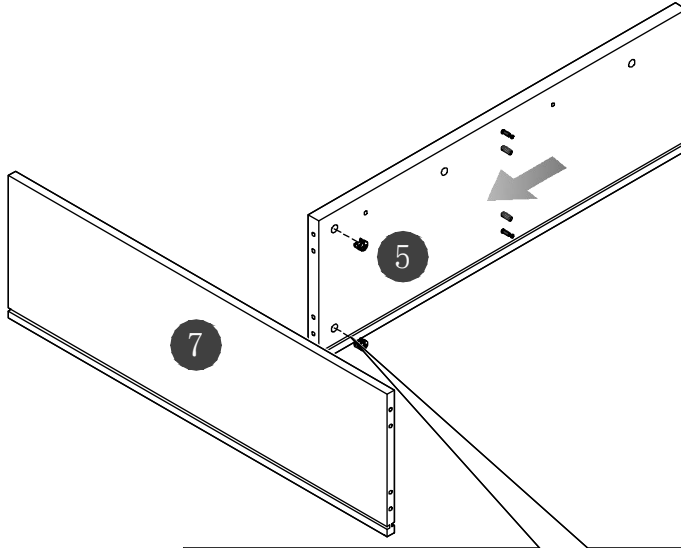
OSLO

Ref: LH-0013

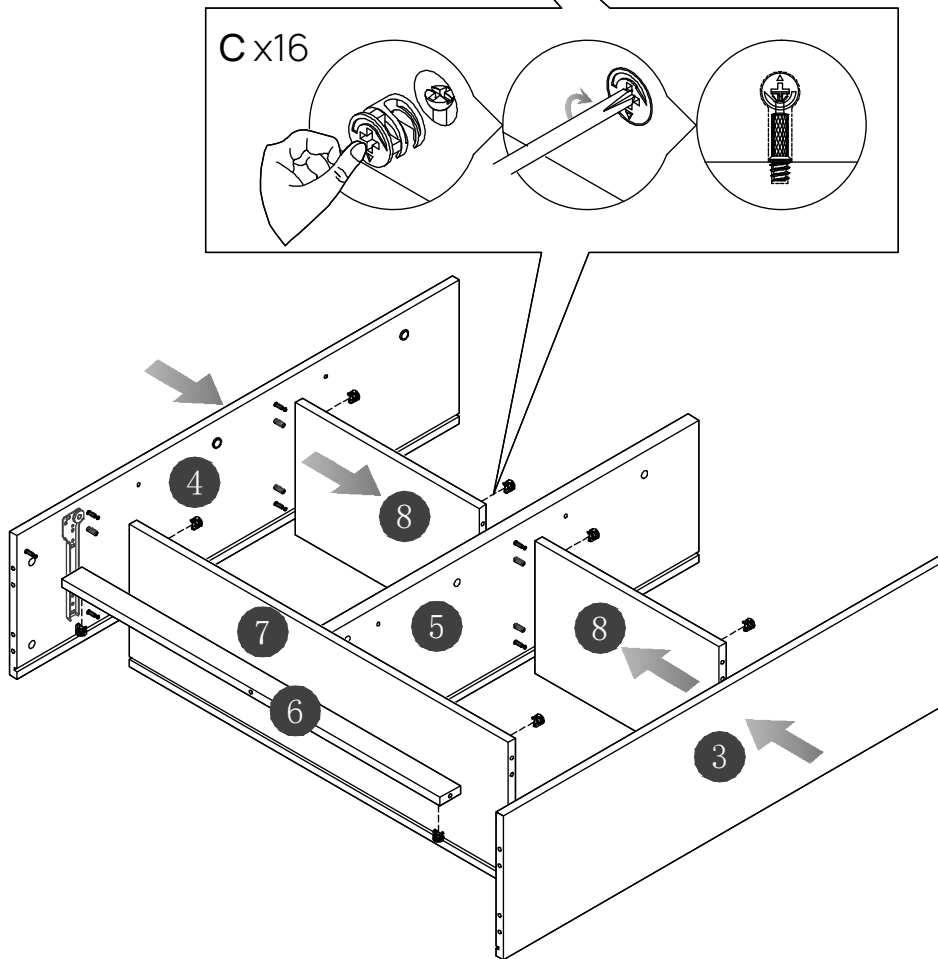
KLAST

www.klasthome.com

STEP 5



STEP 6



OSLO

Ref: LH-0013

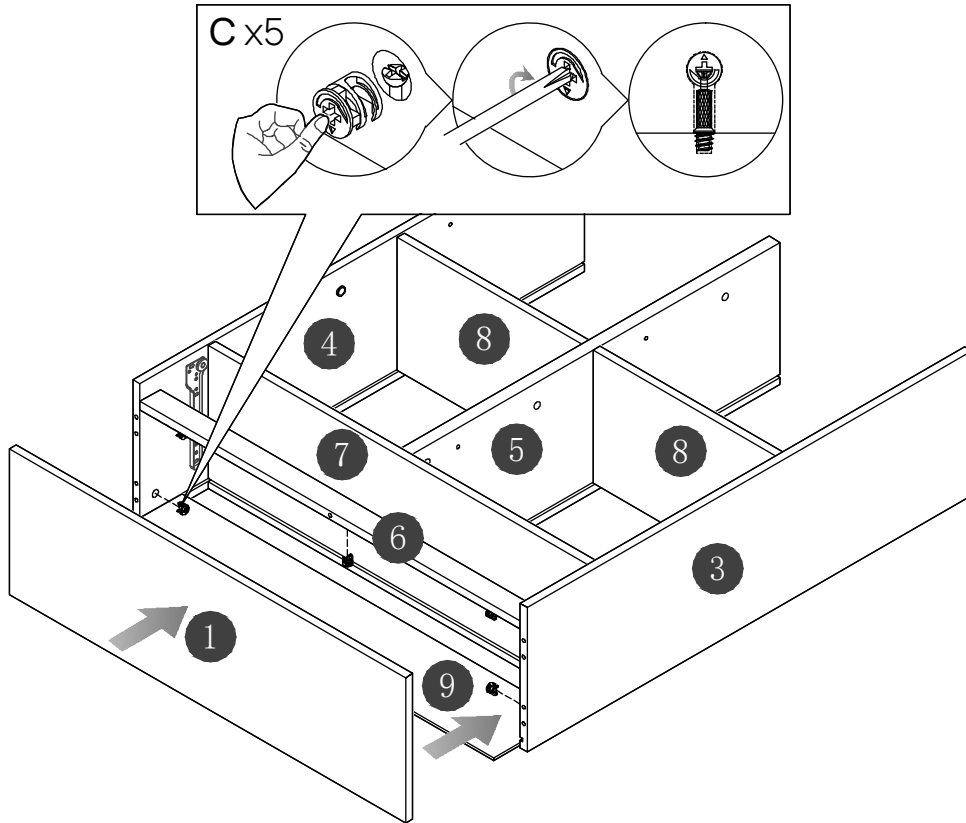
7/15

-V3.0-

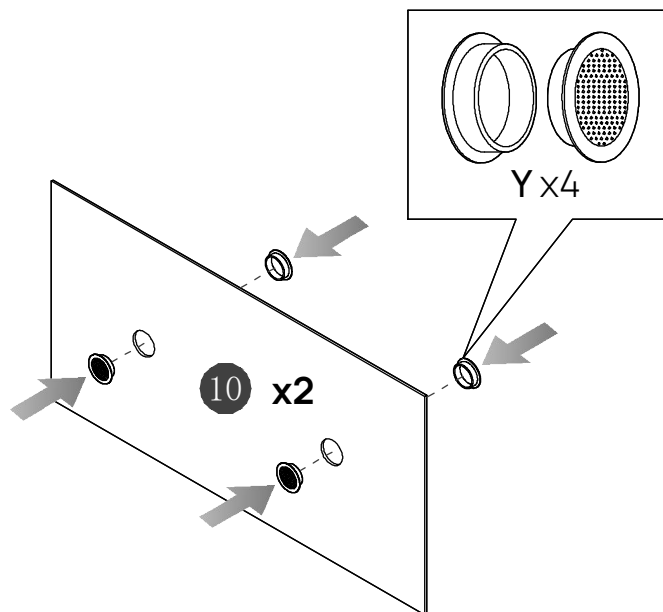
KLAST

www.klasthome.com

STEP 7



STEP 8



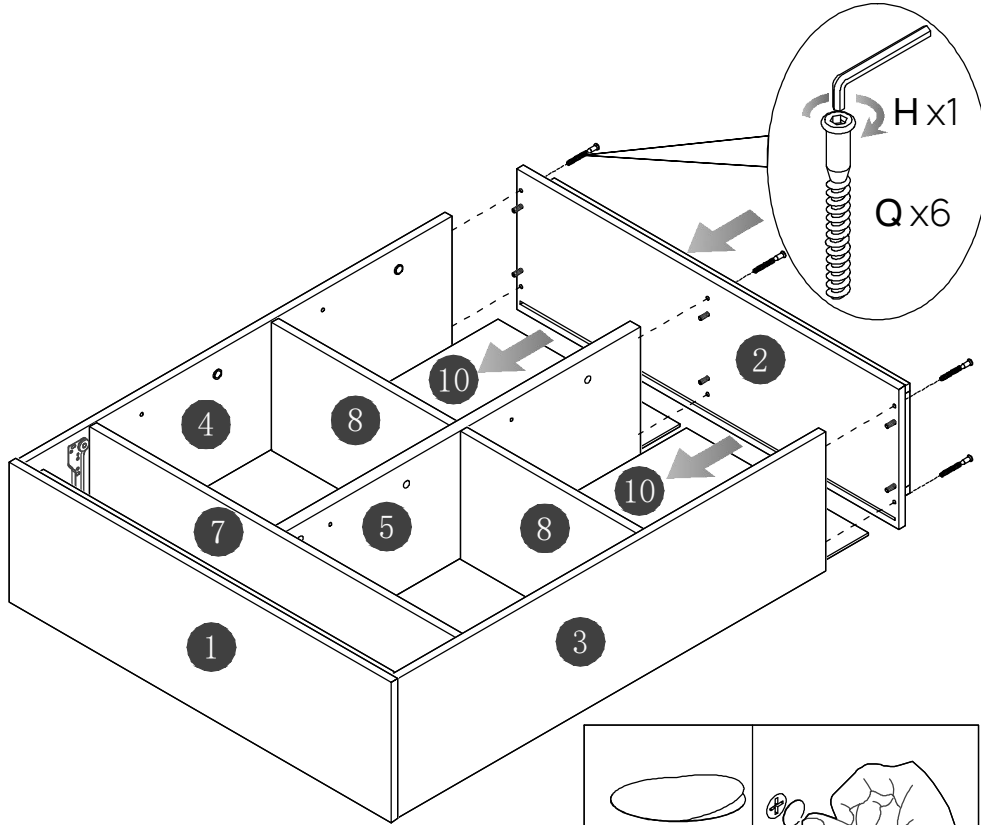
OSLO

Ref: LH-0013

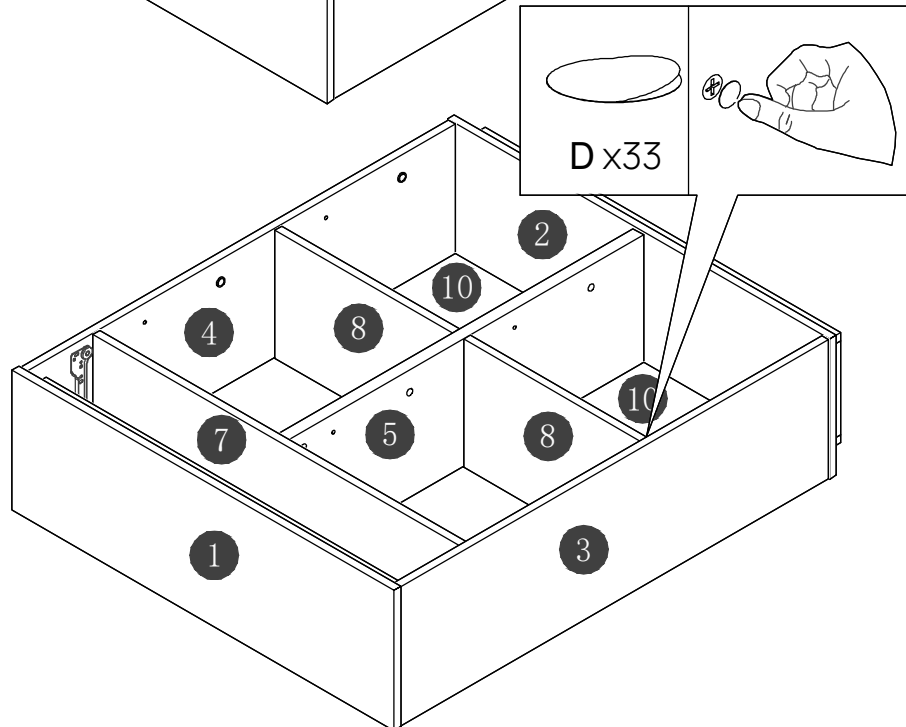
KLAST

www.klathome.com

STEP 9



STEP 10



OSLO

Ref: LH-0013

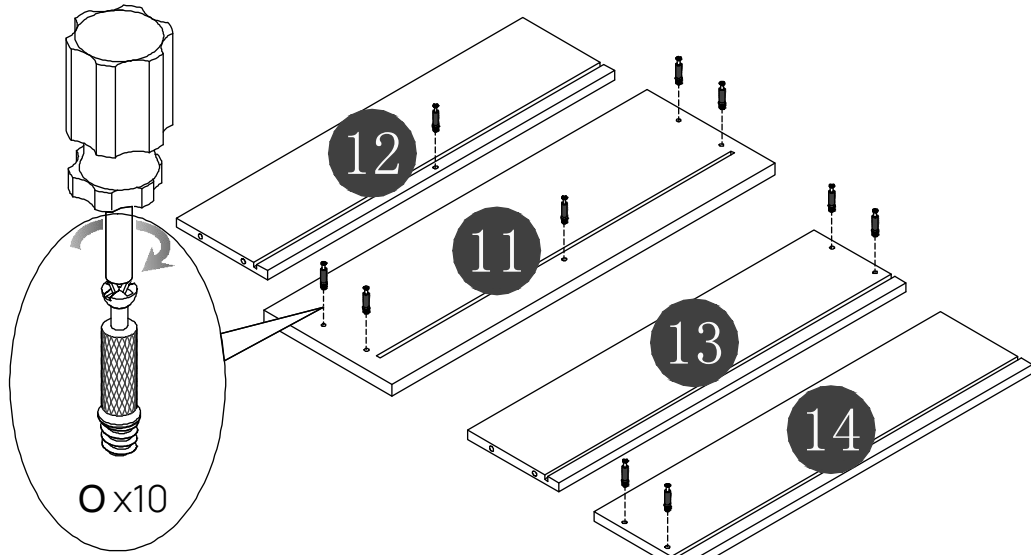
9/15

-V3.0-

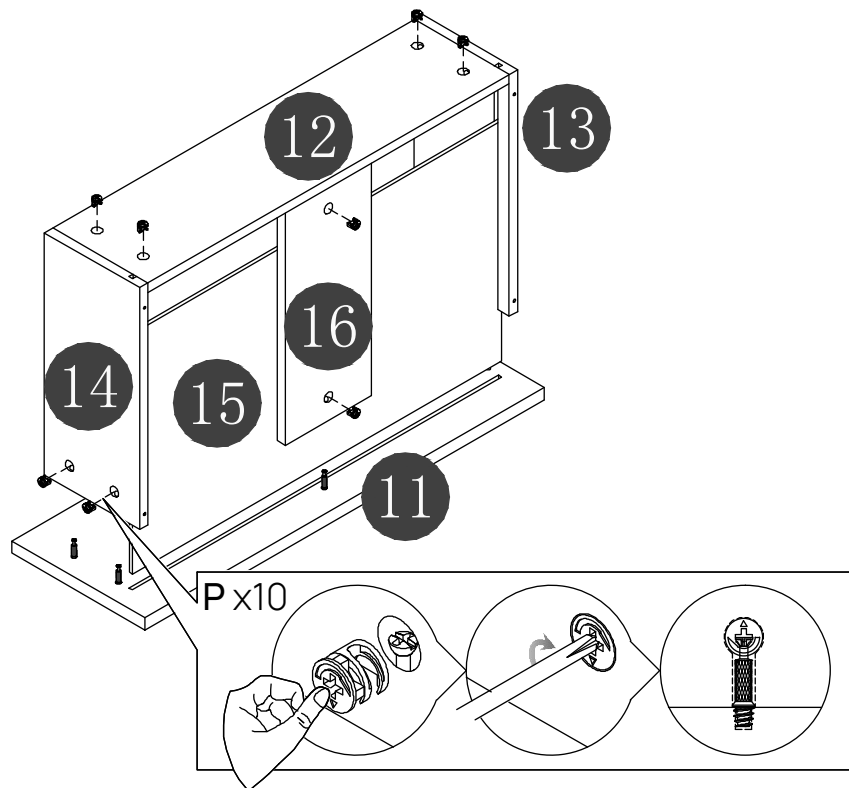
KLAST

www.klasthome.com

STEP 11



STEP 12



OSLO

Ref: LH-0013

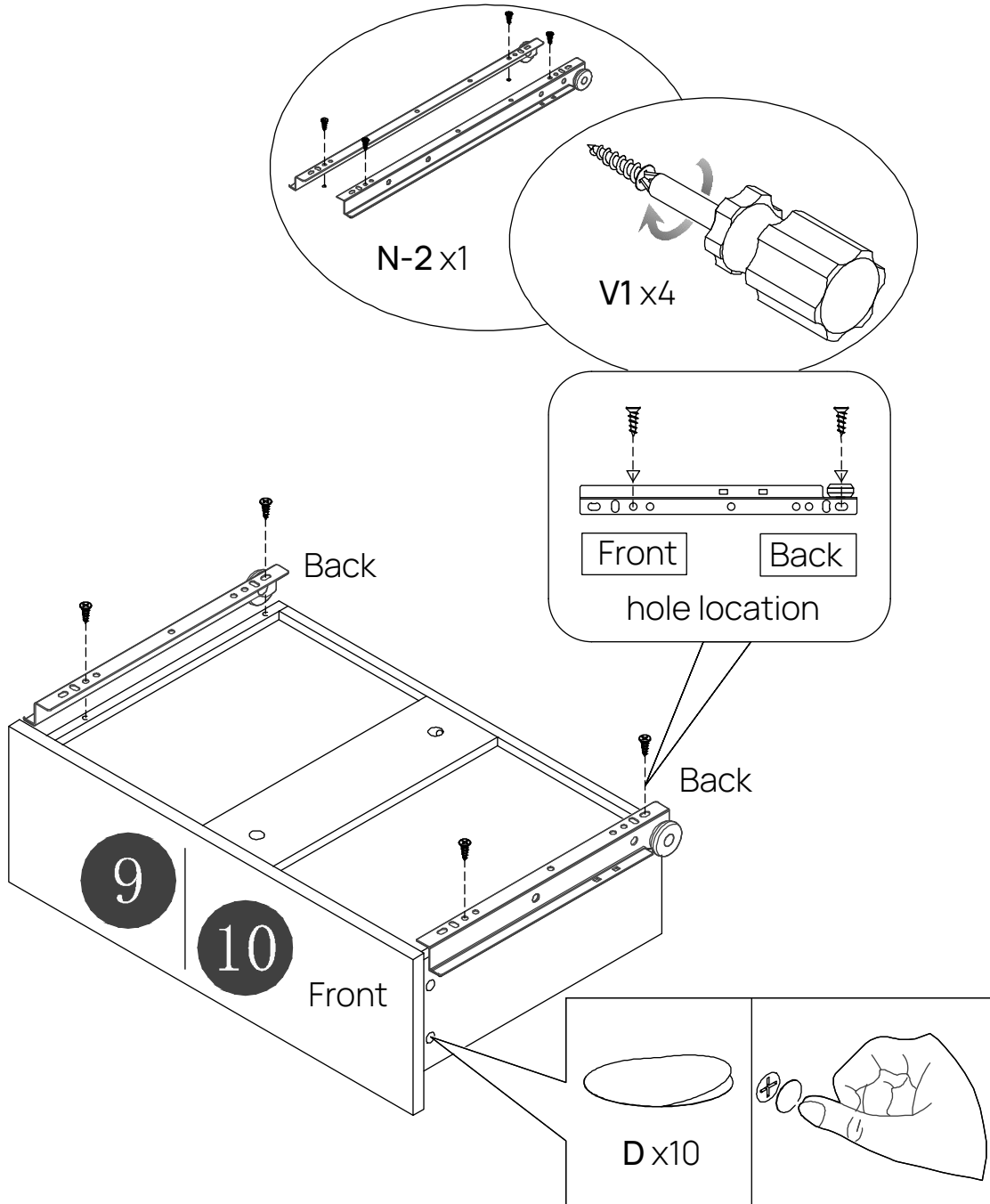
10/15

-V3.0-

KLAST

www.klasthome.com

STEP 13



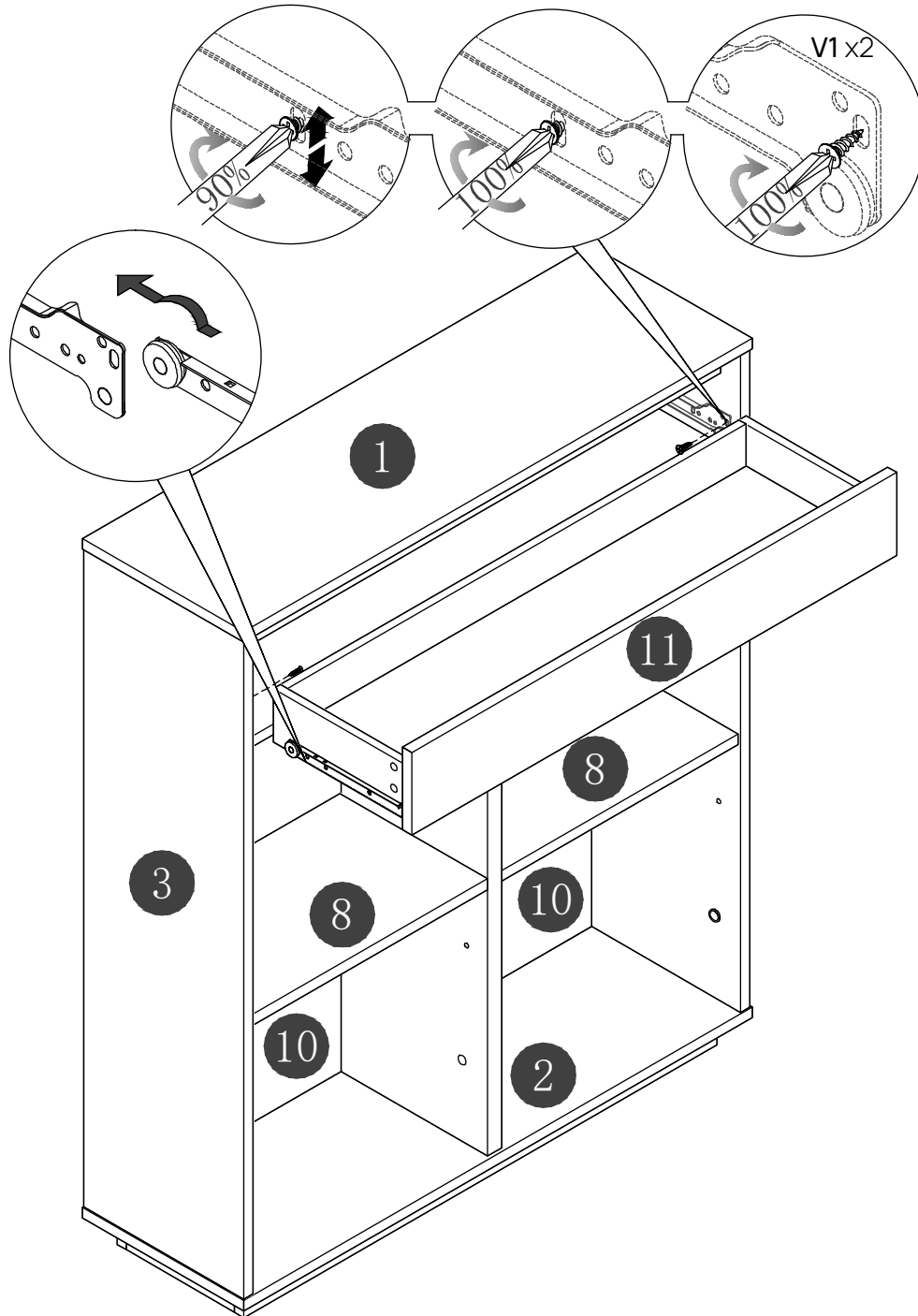
OSLO

Ref: LH-0013

KLAST

www.klasthome.com

STEP 14



OSLO

Ref: LH-0013

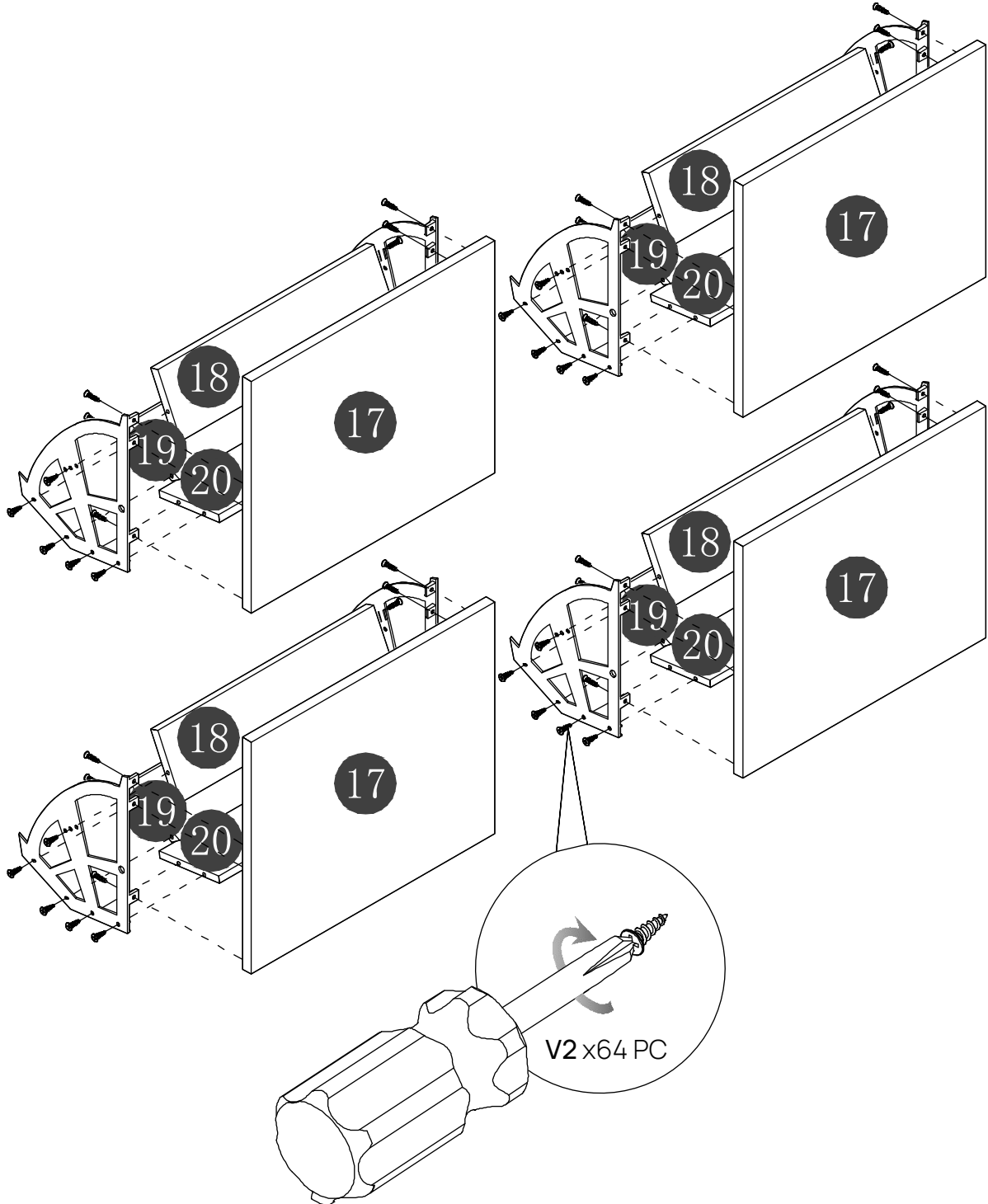
12/15

-V3.0-

KLAST

www.klasthome.com

STEP 15



OSLO

Ref: LH-0013

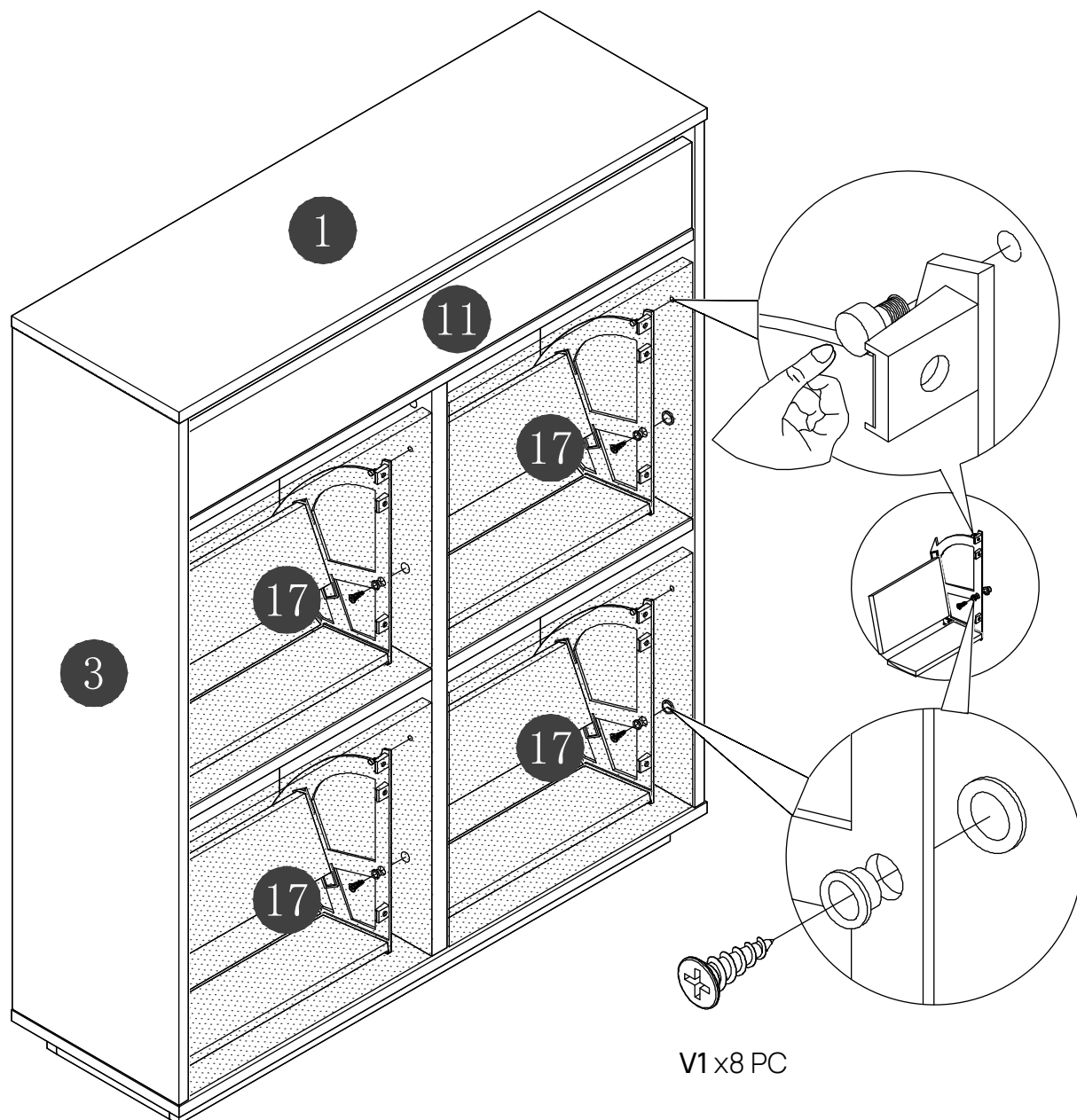
13/15

-V3.0-

KLAST

www.klathome.com

STEP 16



OSLO

Ref: LH-0013

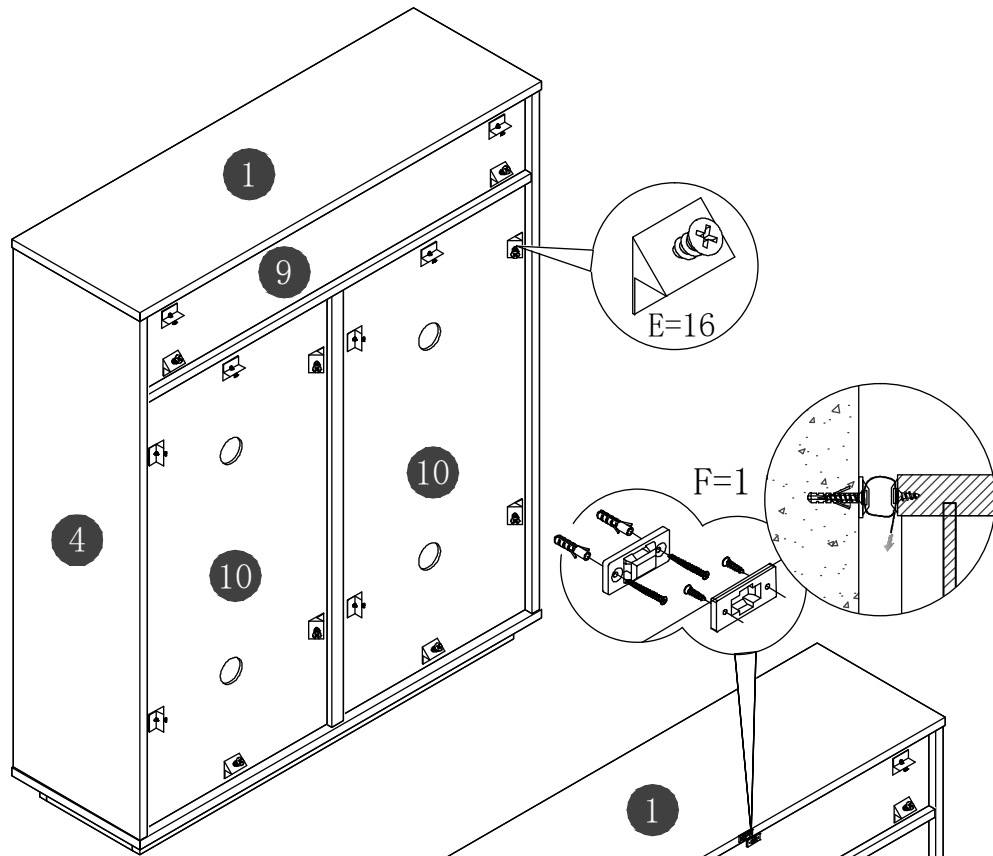
14/15

-V3.0-

KLAST

www.klathome.com

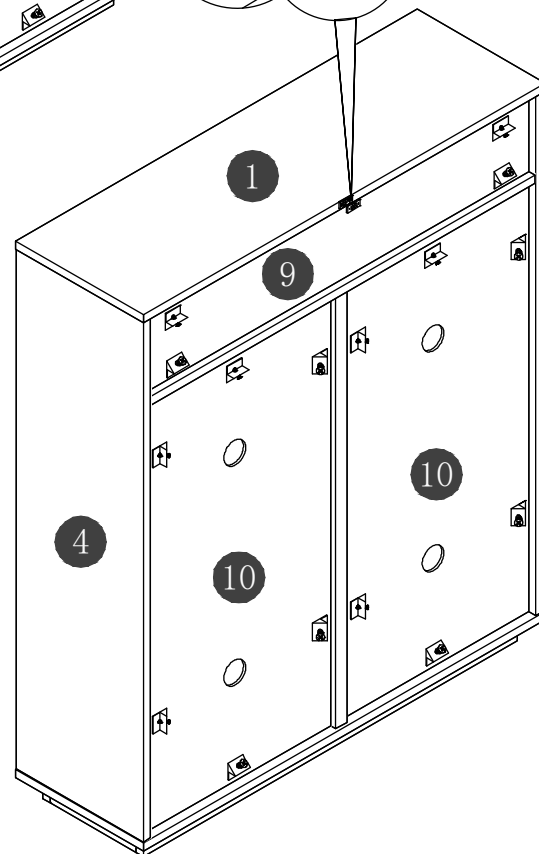
STEP 17



STEP 18

⚠ OBLIGATORY FIX ON THE WALL

The needed hardware for the junction wall/furniture depends of the nature of the wall and is not provide.



OSLO

Ref: LH-0013

15/15

-V3.0-