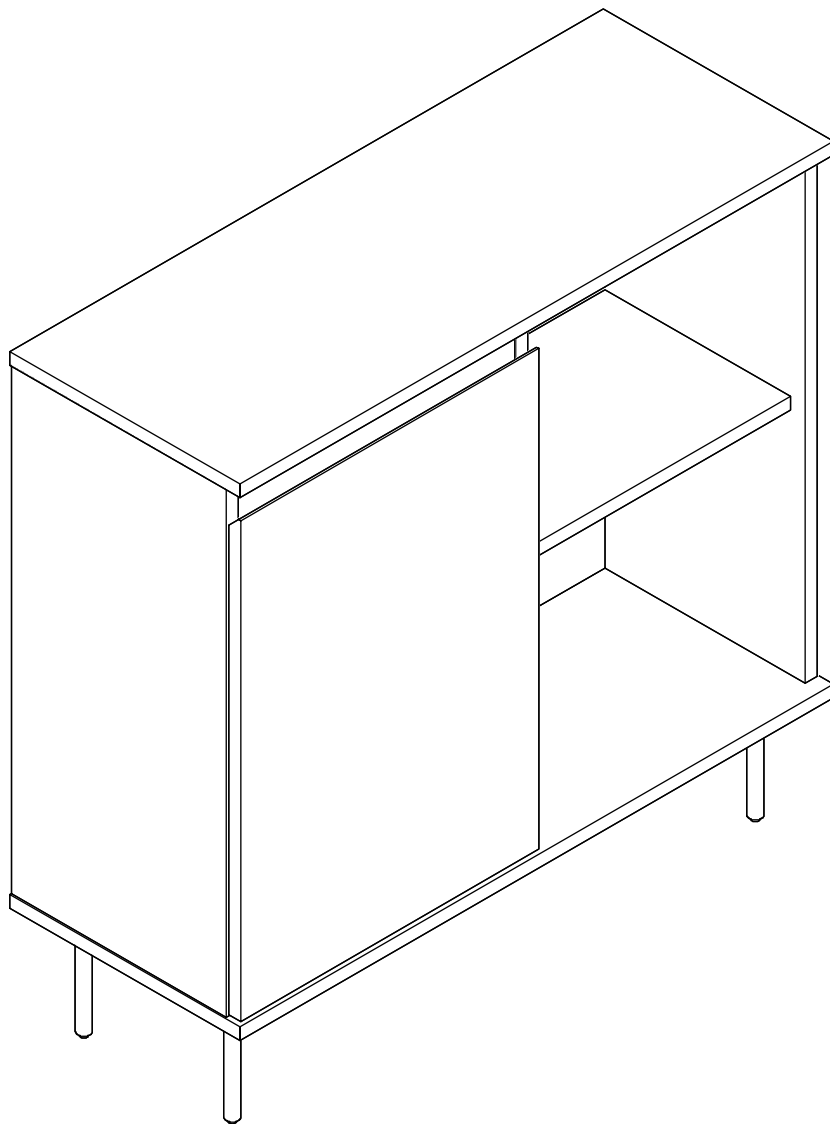


KLAST

www.klasthome.com



ESBEN

Ref: SB-0107

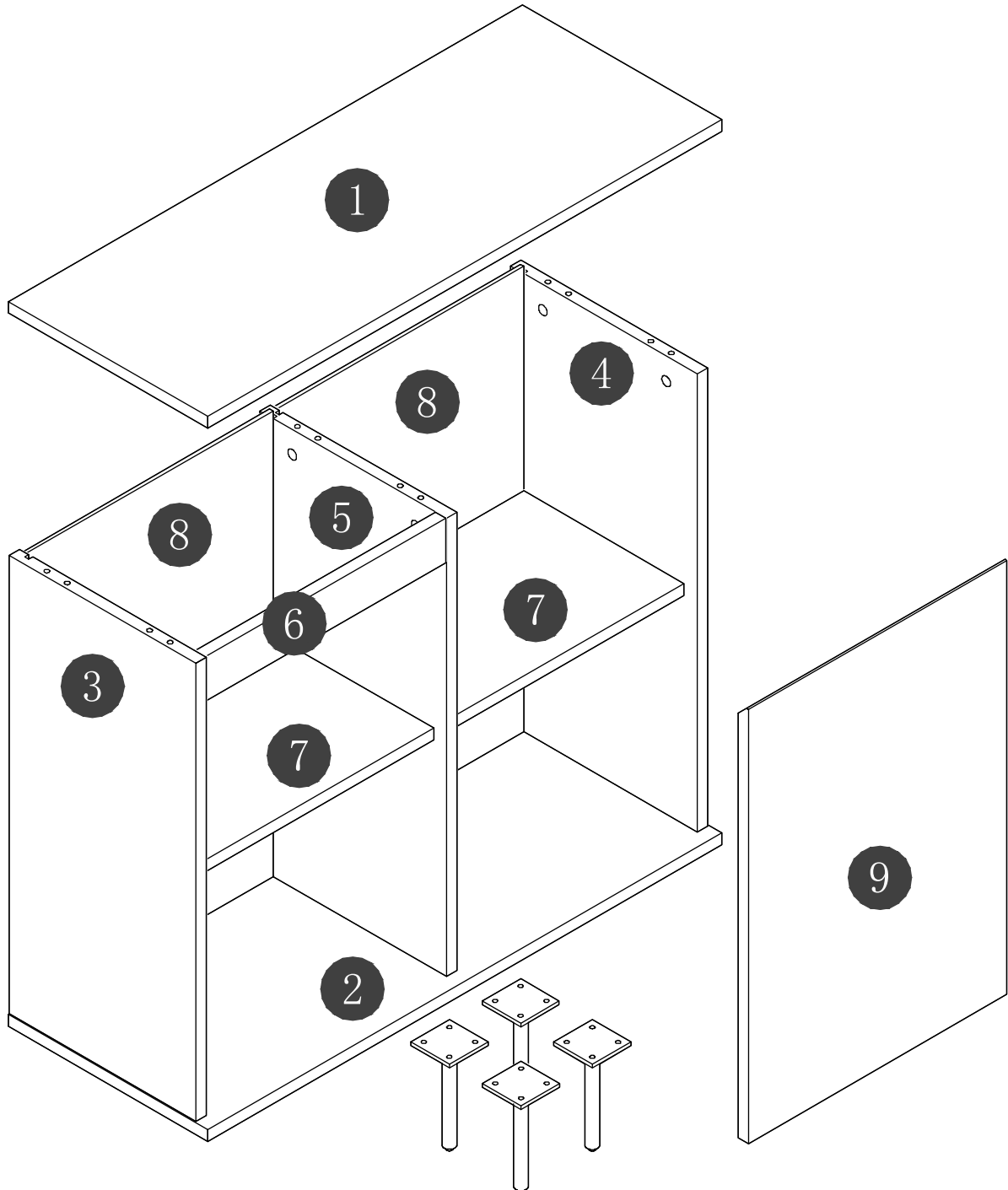
1/11

-V2.0-

KLAST

www.klasthome.com

MATERIAL



ESBEN

Ref: SB-0107

2/11

-V2.0-

KLAST

www.klasthome.com

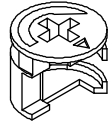
MATERIAL



M6x40 mm
A x16 PC



Ø8x30 mm
B x22 PC



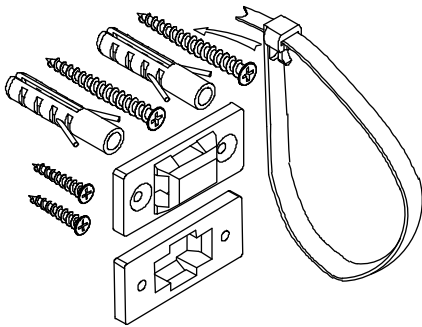
Ø15x12 mm
C x16 PC



Ø21 mm
D x22 PC



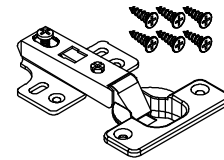
E x12 PC



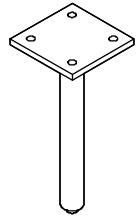
F x1 PC



M6x16 mm
G x16 PC



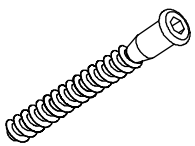
I1 x2 PC



60x60x140
J-1 x4 PC



M4
H x1 PC



Ø7x50 mm
Q x6 PC



M4
Z1 x16 PC



M4
Z2 x16 PC

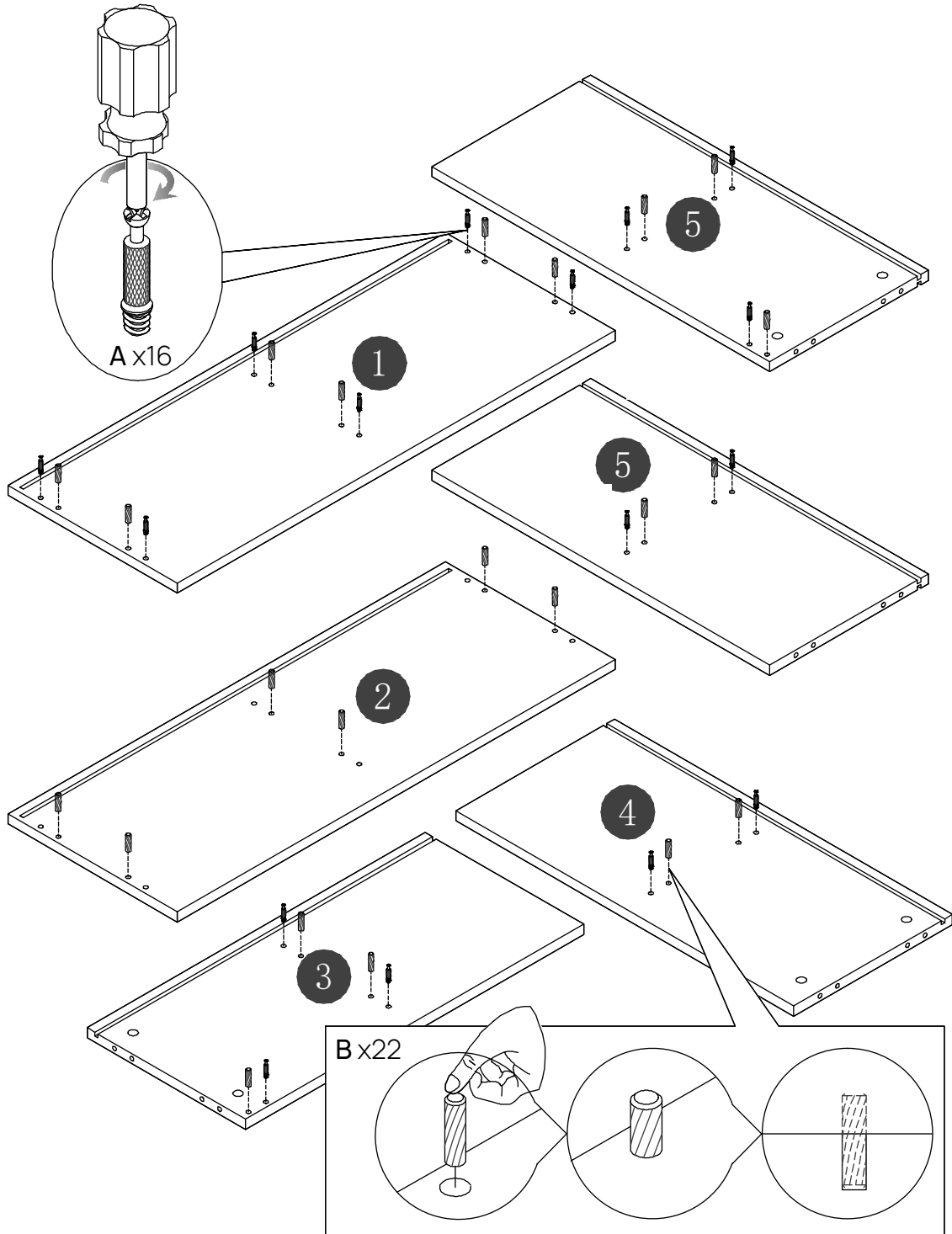
ESBEN

Ref: SB-0107

KLAST

www.klathome.com

STEP 1



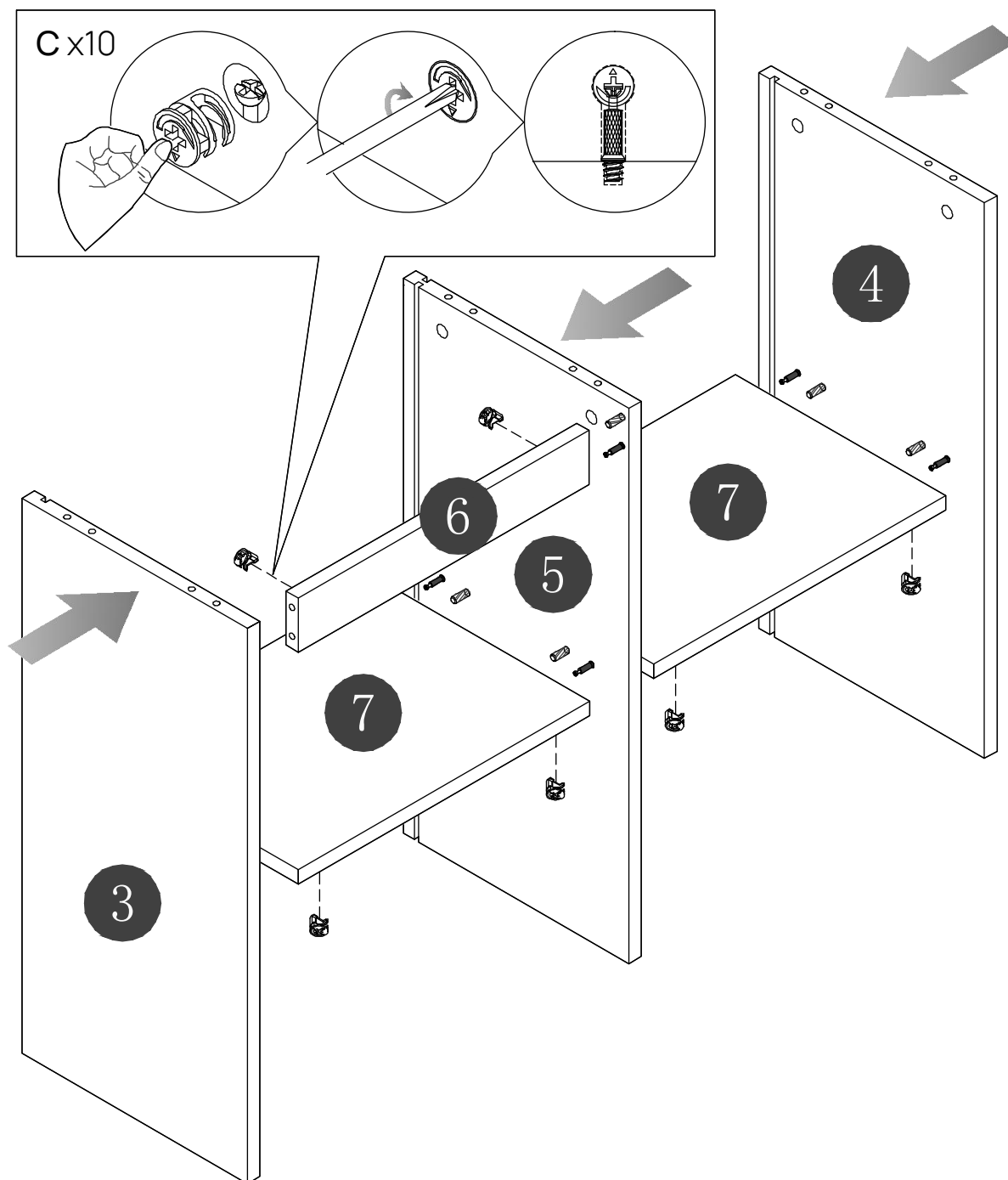
ESBEN

Ref: SB-0107

KLAST

www.klathome.com

STEP 2



ESBEN

Ref: SB-0107

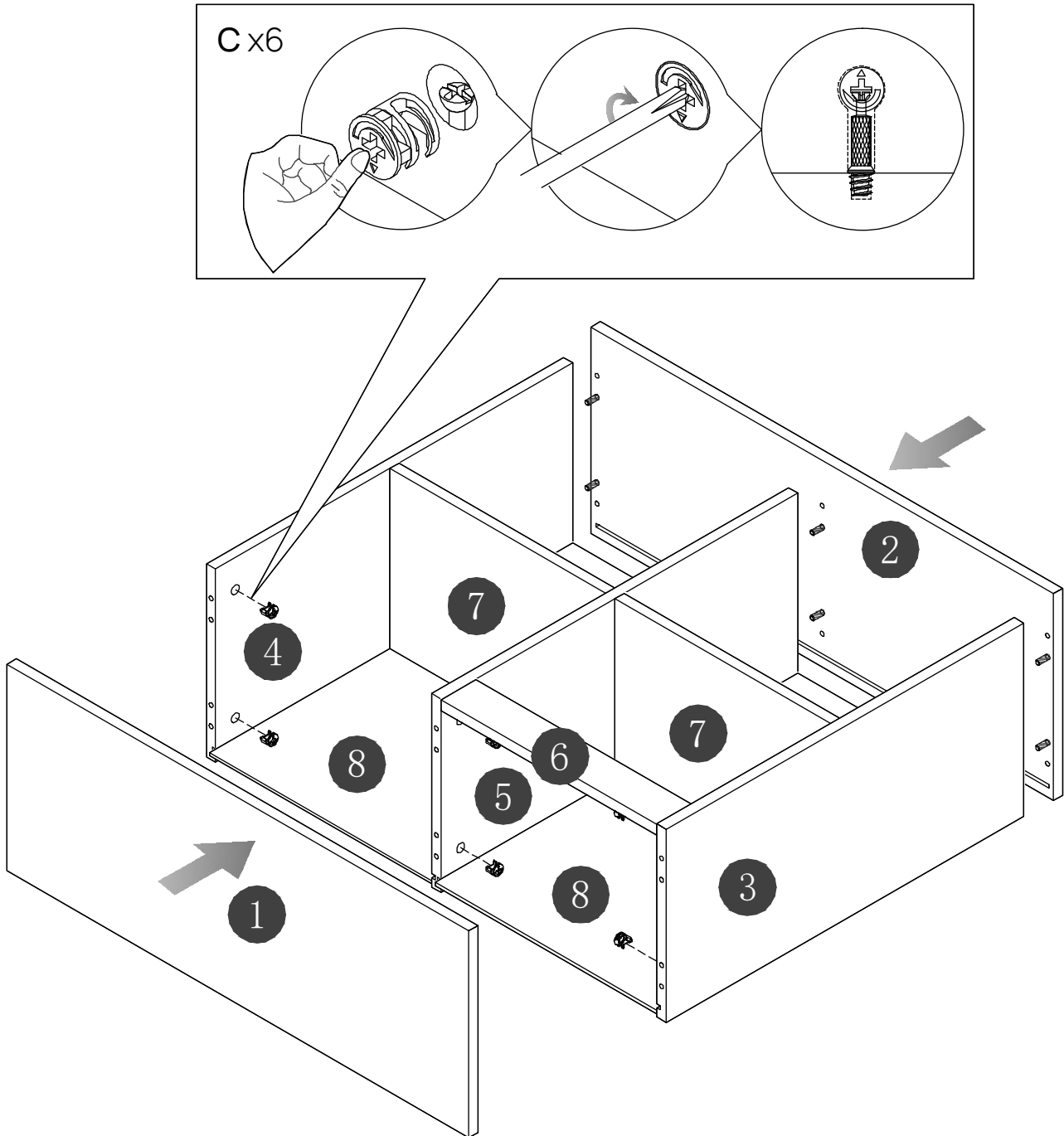
5/11

-V2.0-

KLAST

www.klasthome.com

STEP 3



ESBEN

Ref: SB-0107

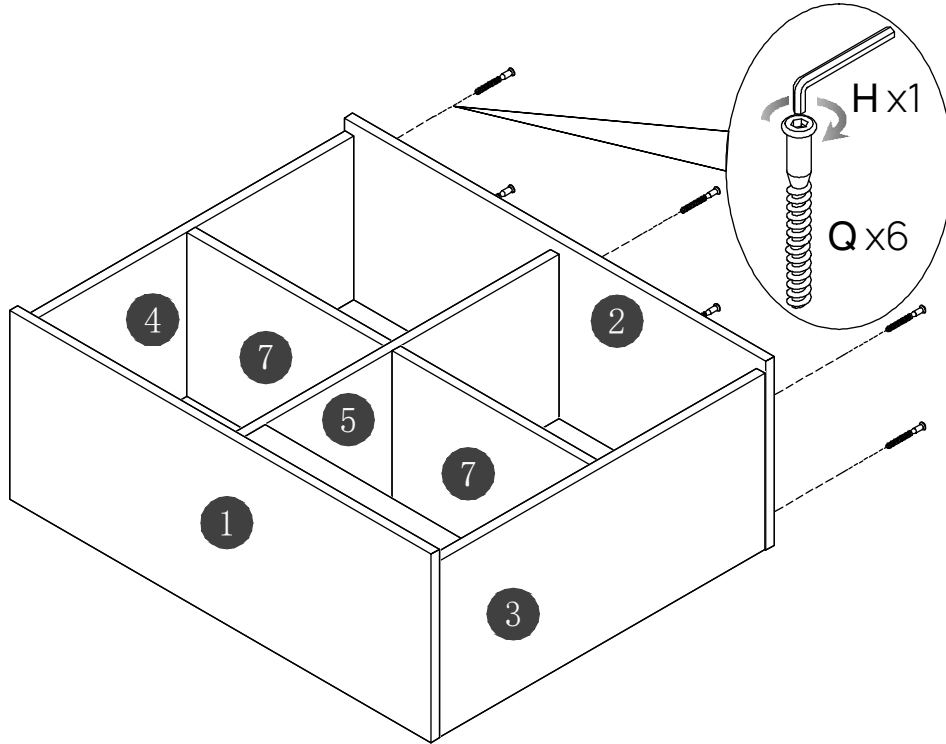
6/11

-V2.0-

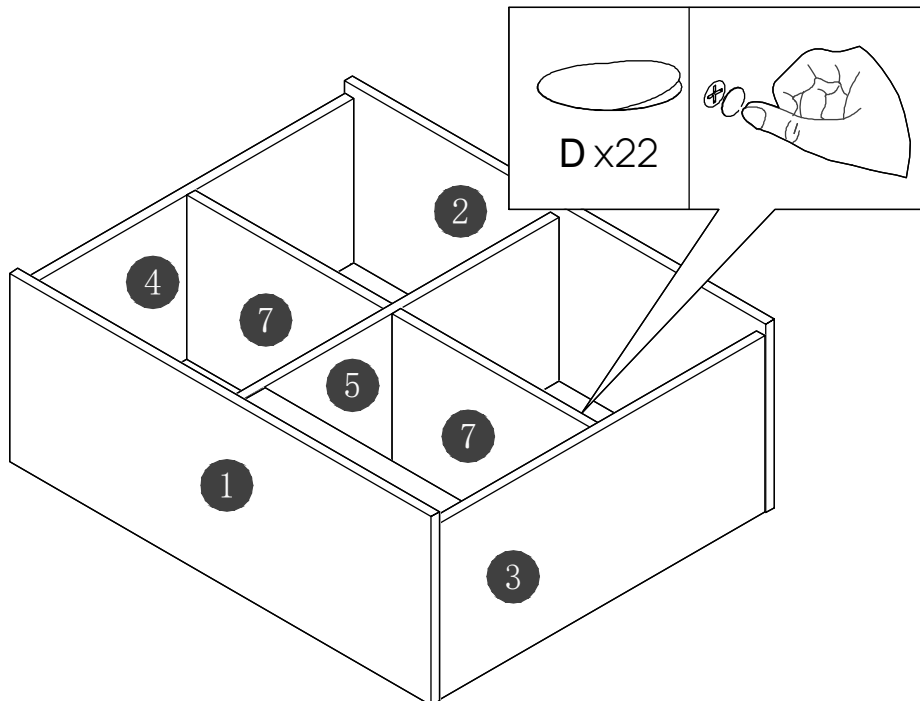
KLAST

www.klathome.com

STEP 4



STEP 5



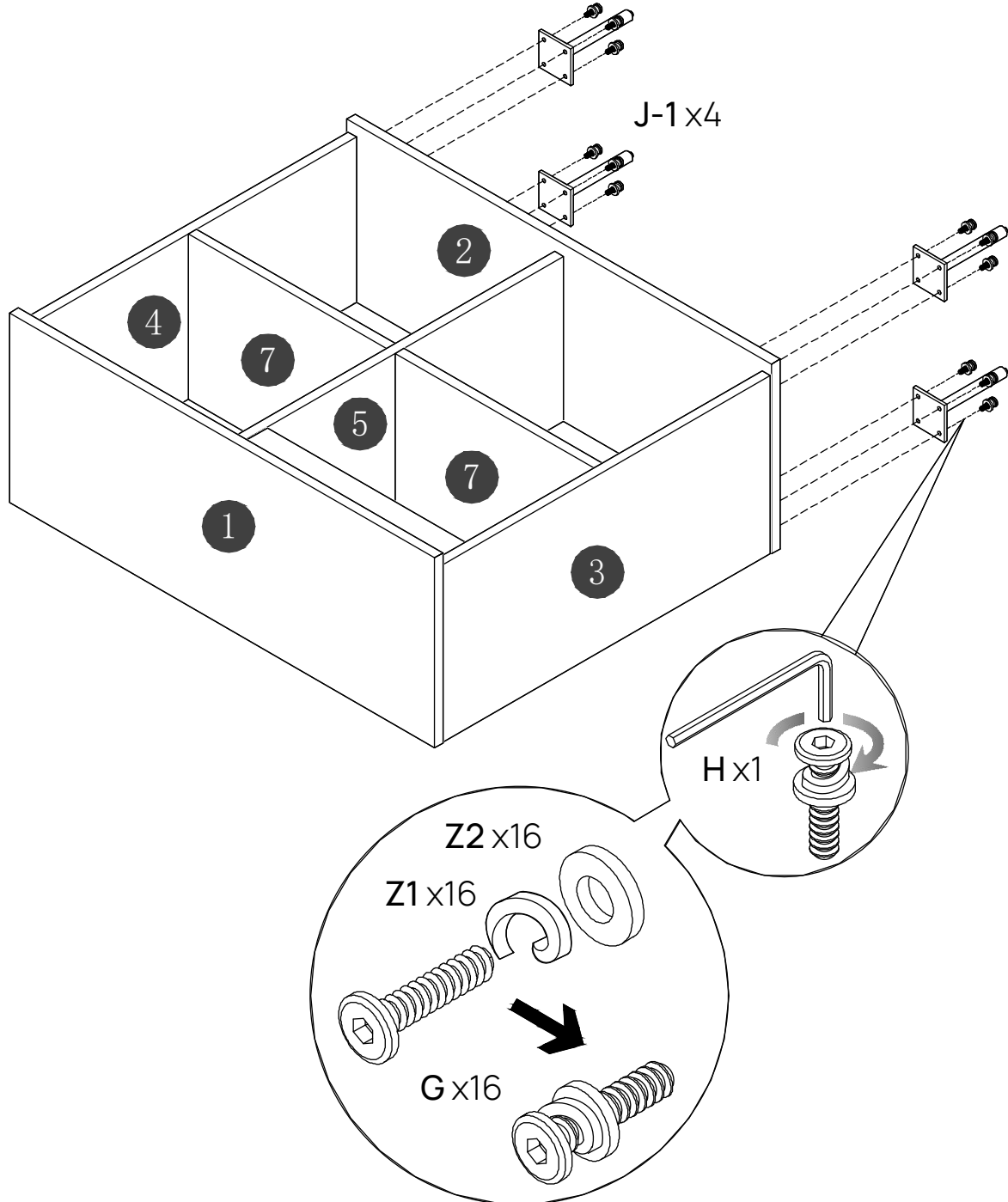
ESBEN

Ref: SB-0107

KLAST

www.klasthome.com

STEP 6



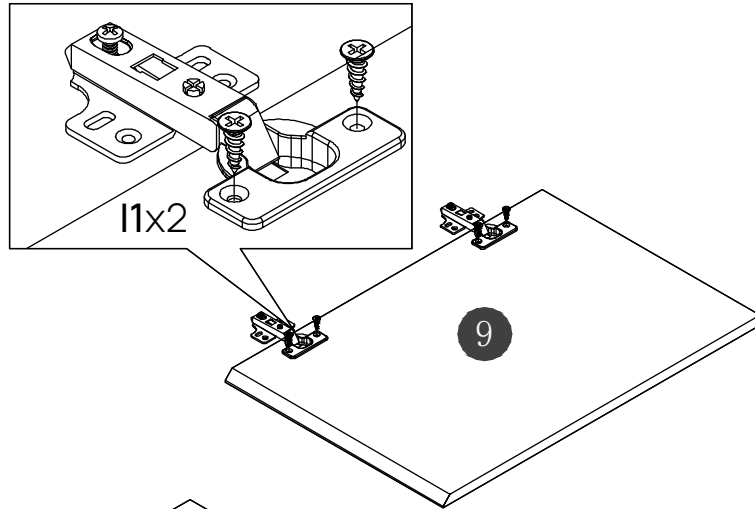
ESBEN

Ref: SB-0107

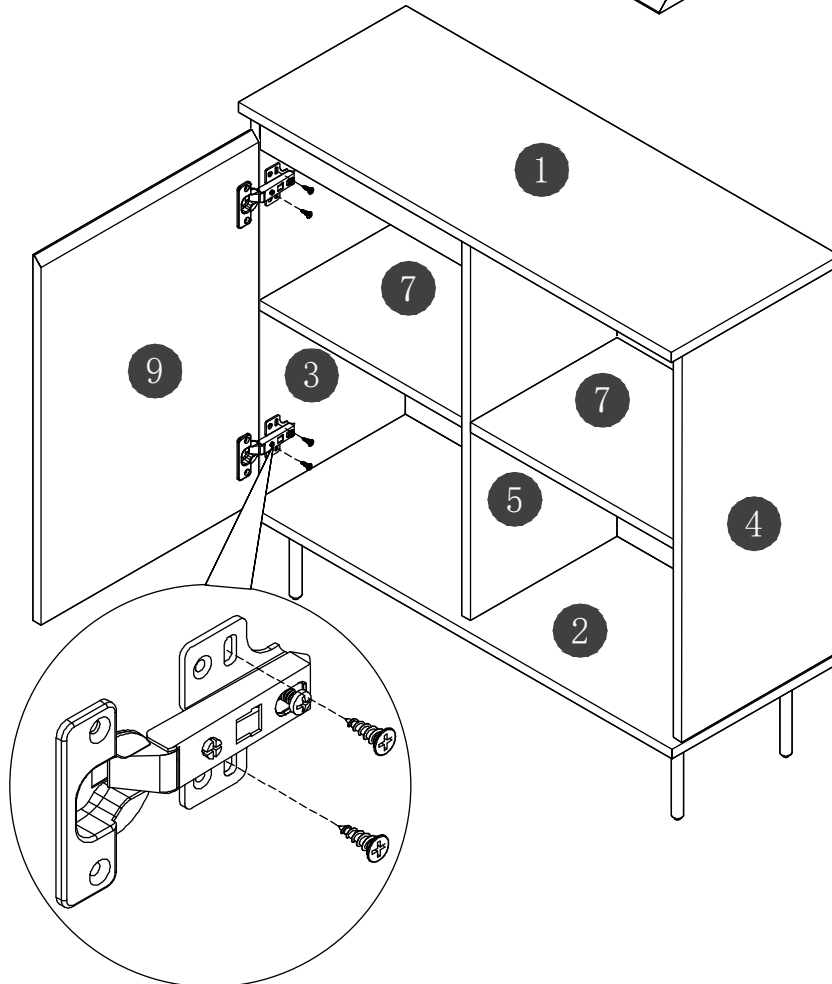
KLAST

www.klasthome.com

STEP 7



STEP 8



ESBEN

Ref: SB-0107

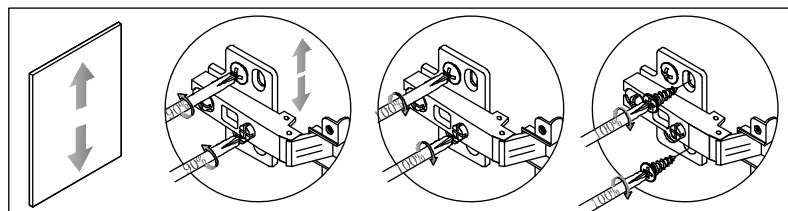
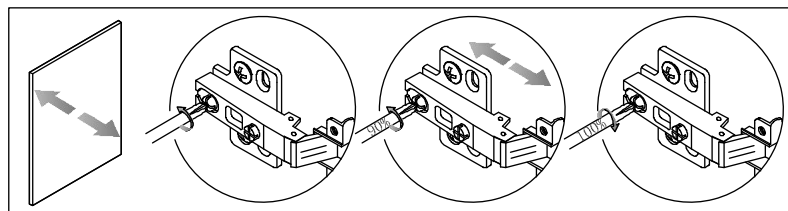
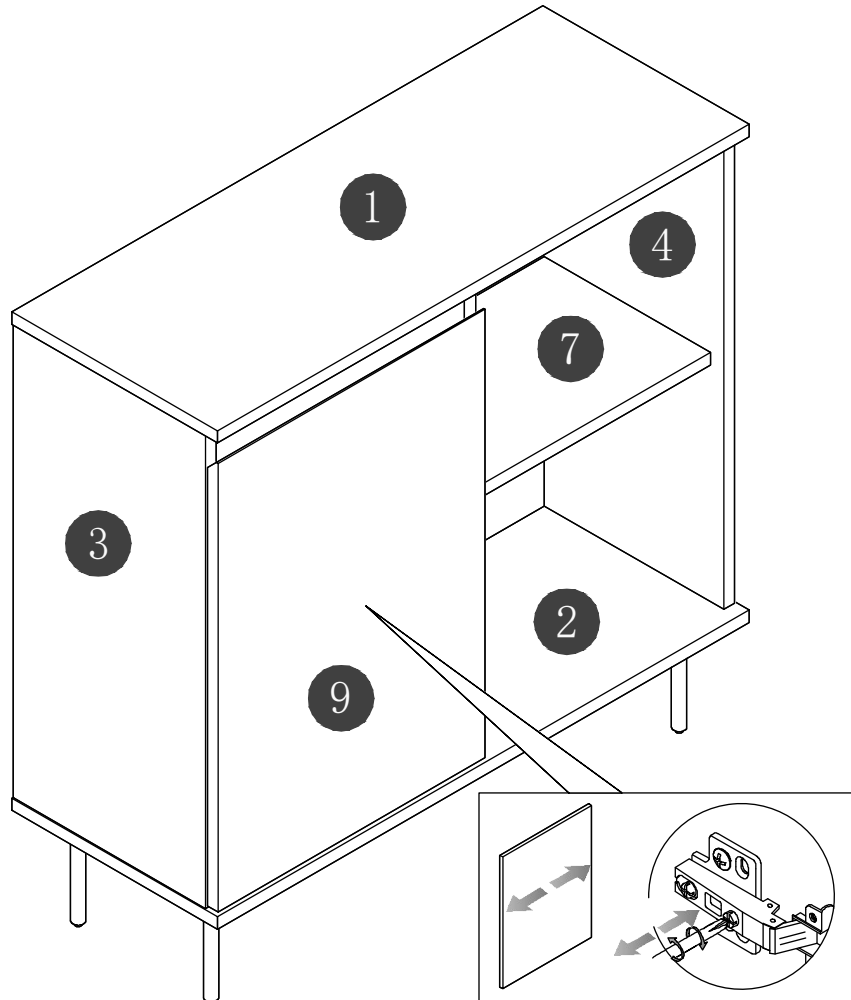
9/11

-V2.0-

KLAST

www.klathome.com

STEP 9



V2x2

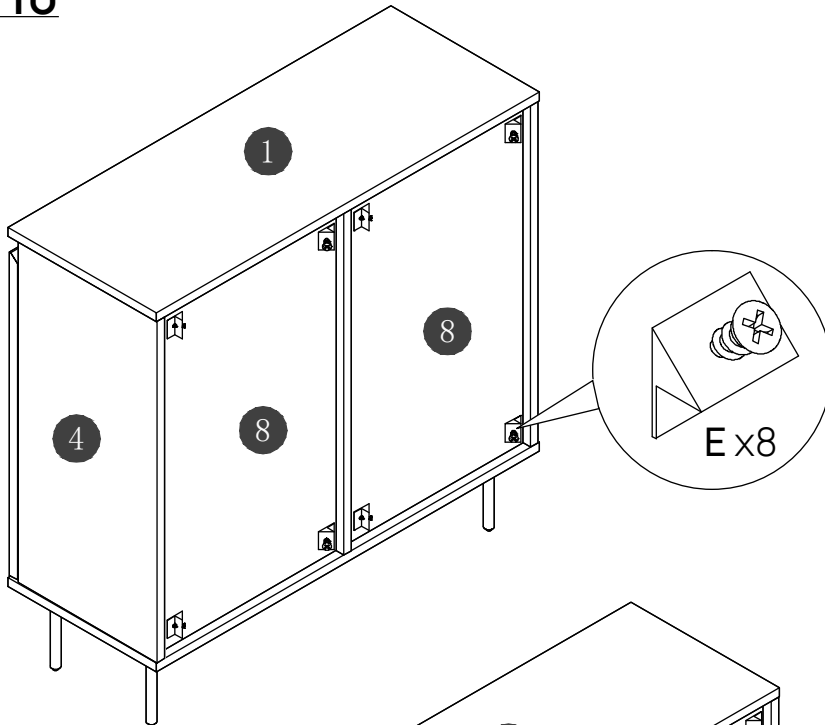
ESBEN

Ref: SB-0107

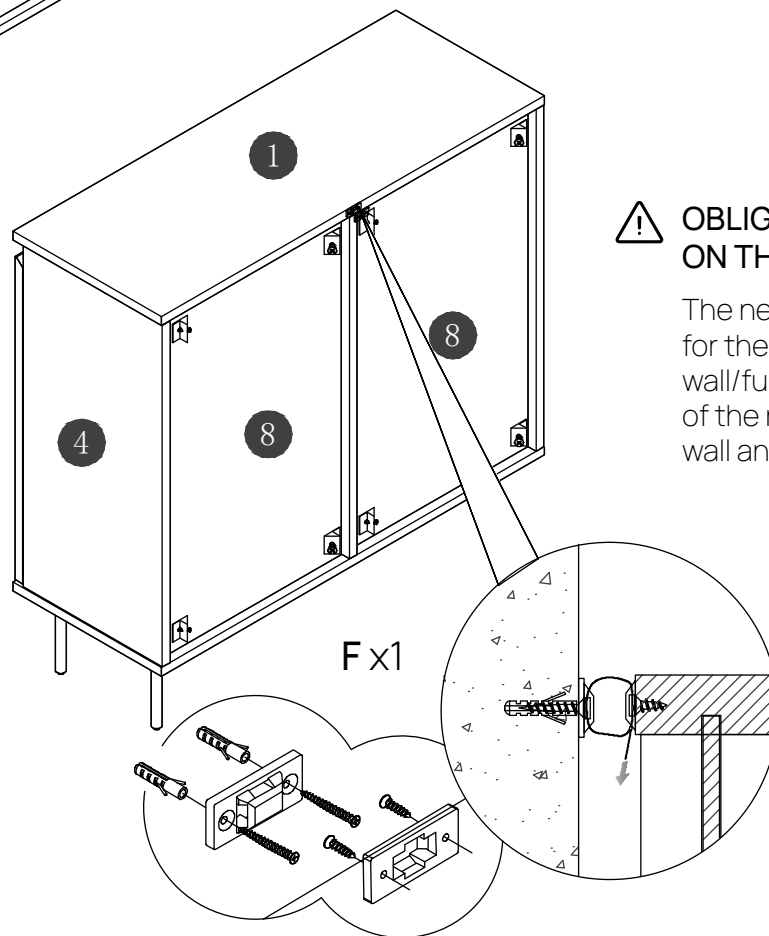
KLAST

www.klathome.com

STEP 10



STEP 11



**OBLIGATORY FIX
ON THE WALL**

The needed hardware
for the junction
wall/furniture depends
of the nature of the
wall and is not provide.

ESBEN

Ref: SB-0107