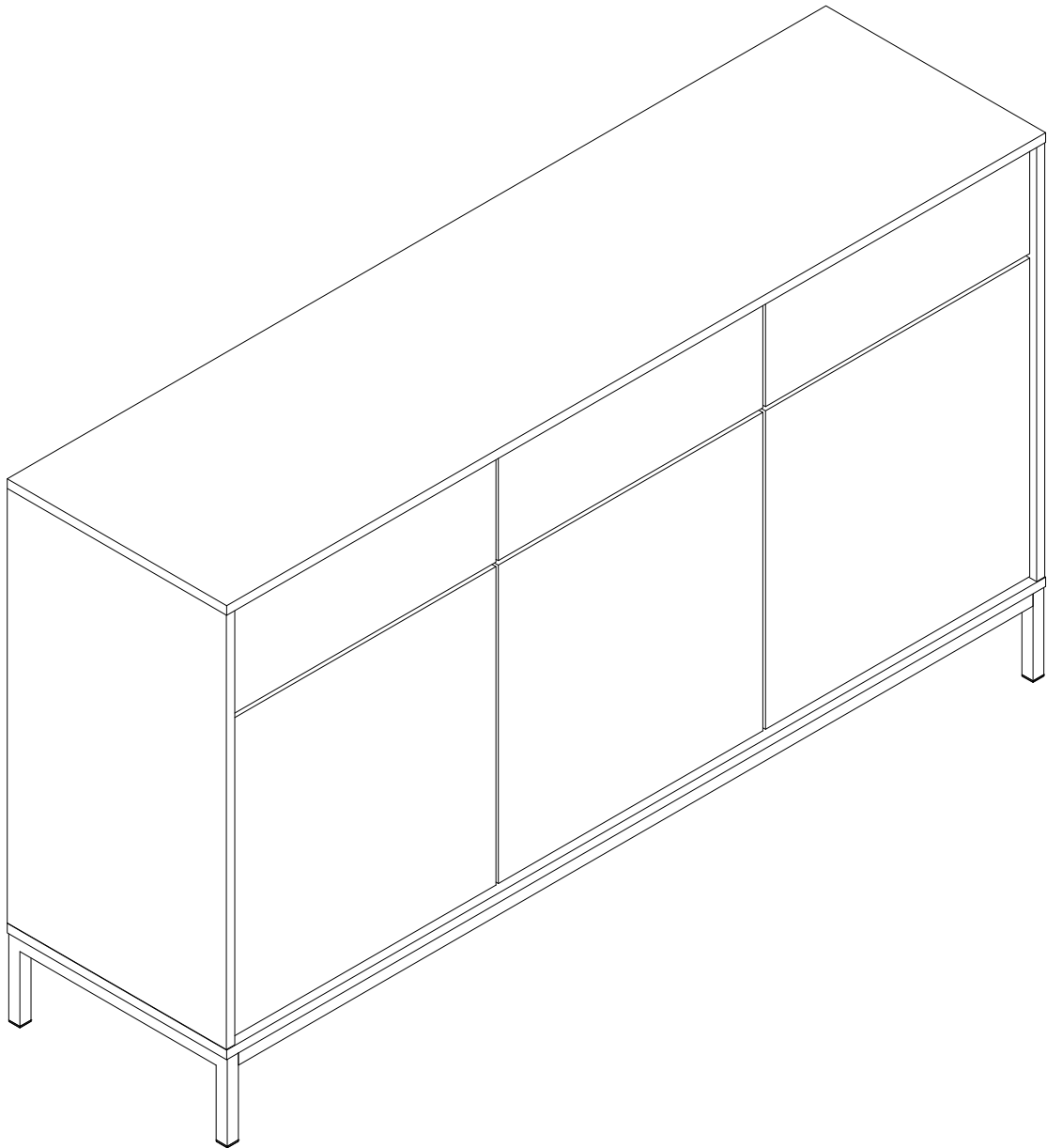


KLAST

www.klasthome.com



REMI

Ref: FF-0033

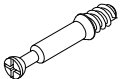

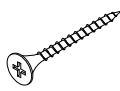

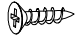
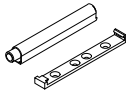


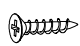

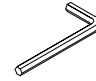






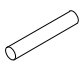
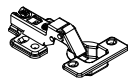
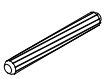


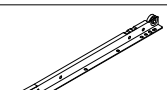
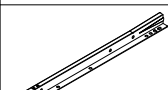
1/15

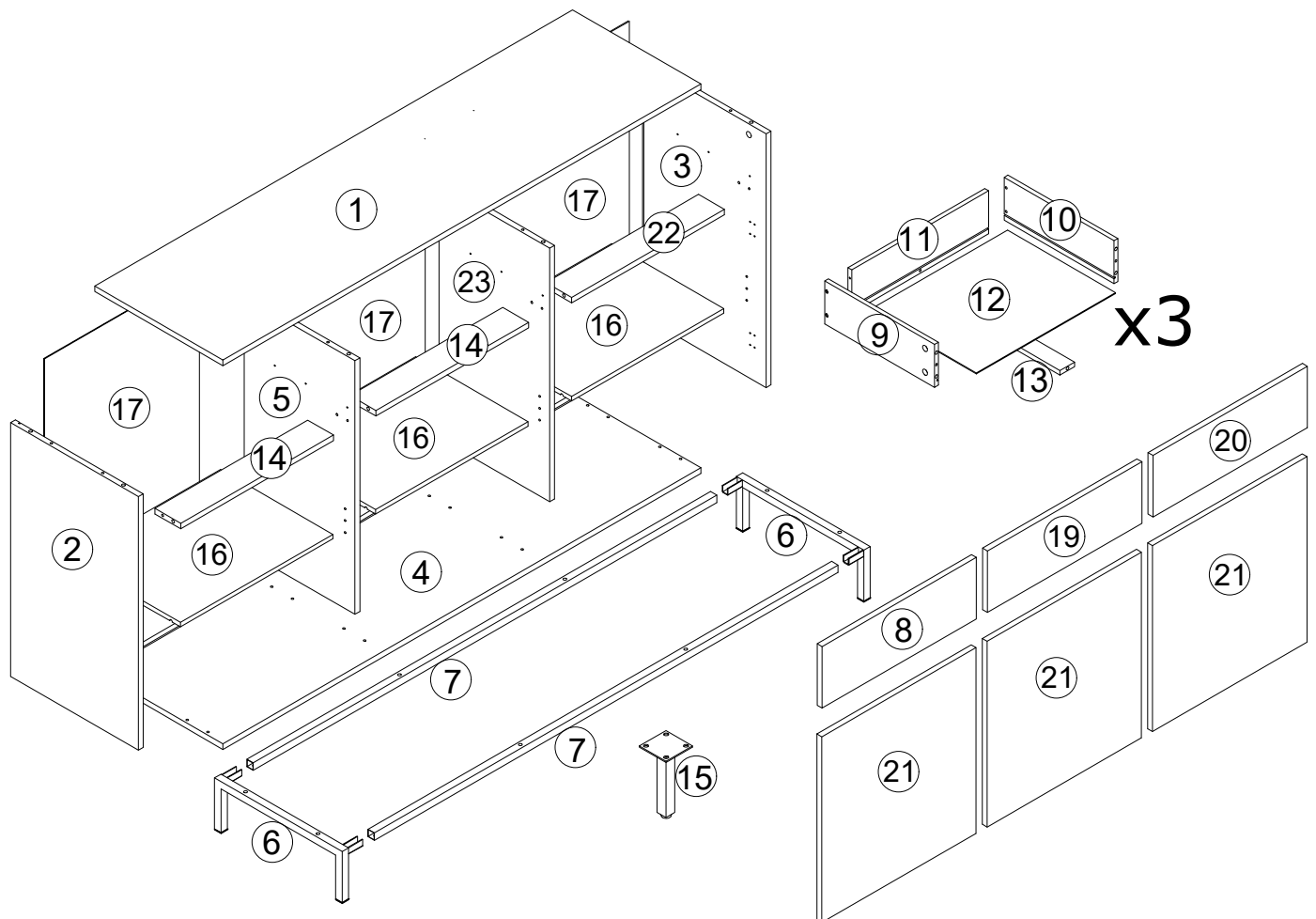
-V1.0-

KLAST

www.klathome.com

MATERIAL

 6x35mm Ax29PCS	 Ø15x9mm Bx29PCS	 4x40mm Cx25PCS	 6x30mm Dx24PCS	 3.5x12mm Ex90PCS	 Fx9PCS	 6x12mm Gx8PCS	 6x30mm Hx8PCS
 3x14mm Ix14PCS	 Jx12PCS	 Kx1PC	 6x30mm Lx2PCS	 Mx2PCS	 Nx4PCS	 Ox4PCS	 4x14mm Px4PCS
 5x20mm Qx12PCS	 5x40mm Rx4PCS	 Sx2PCS	 6x50mm Tx2PCS	 350mm CLx3PCS	 350mm CRx3PCS	 350mm DLx3PCS	 350mm DRx3PCS



REMI

Ref: FF-0033

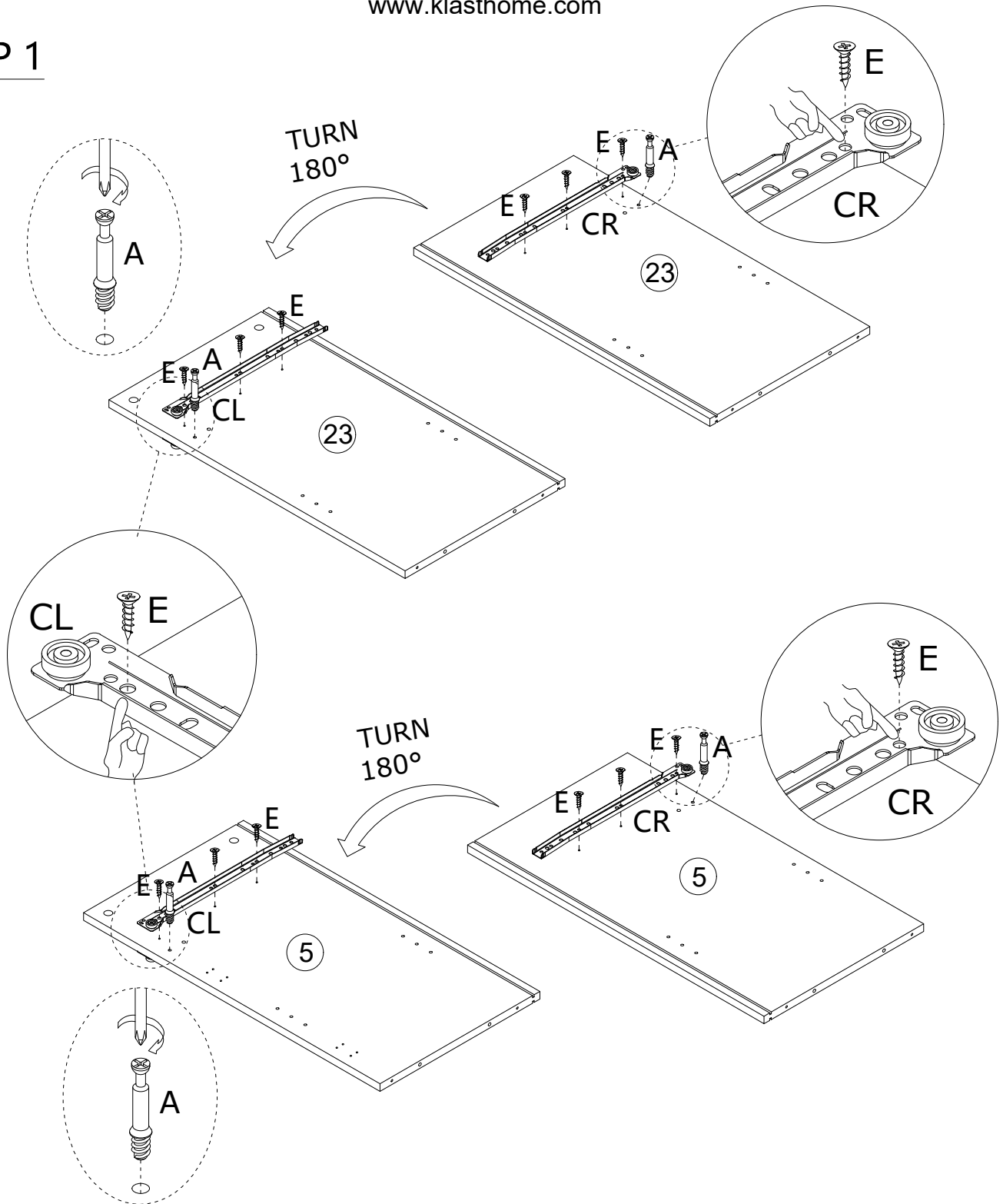
2/15

-V1.0-

KLAST

www.klasthome.com

STEP 1



REMI

Ref: FF-0033

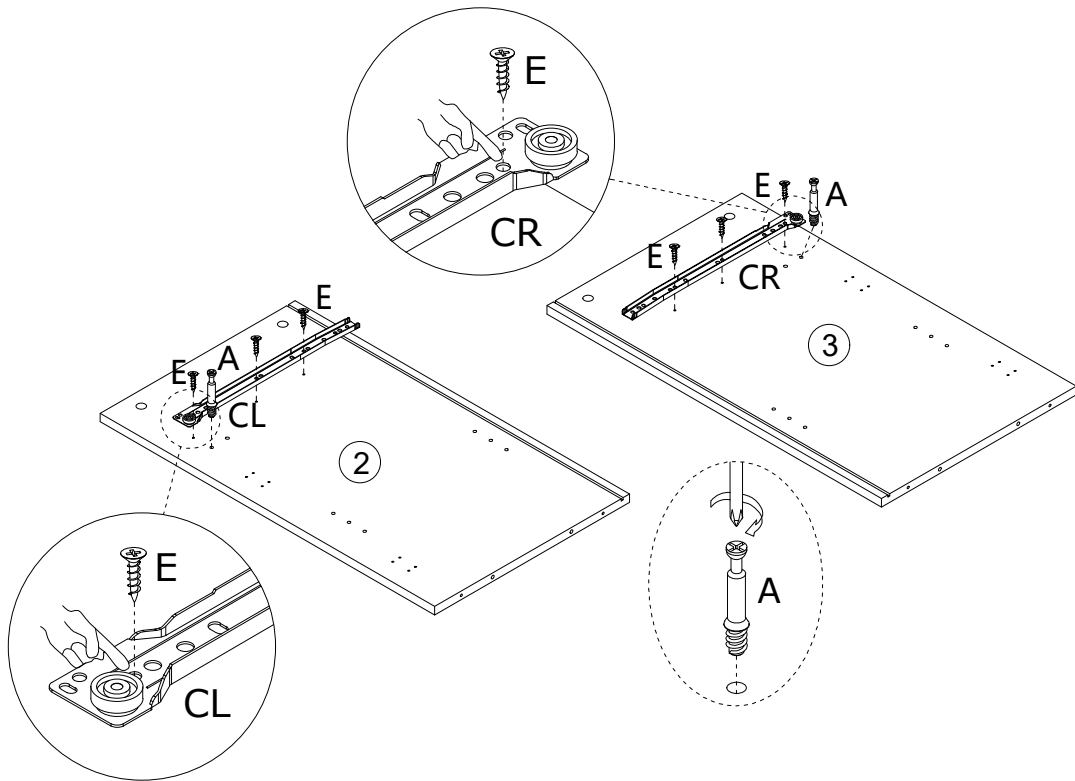
3/15

-V1.0-

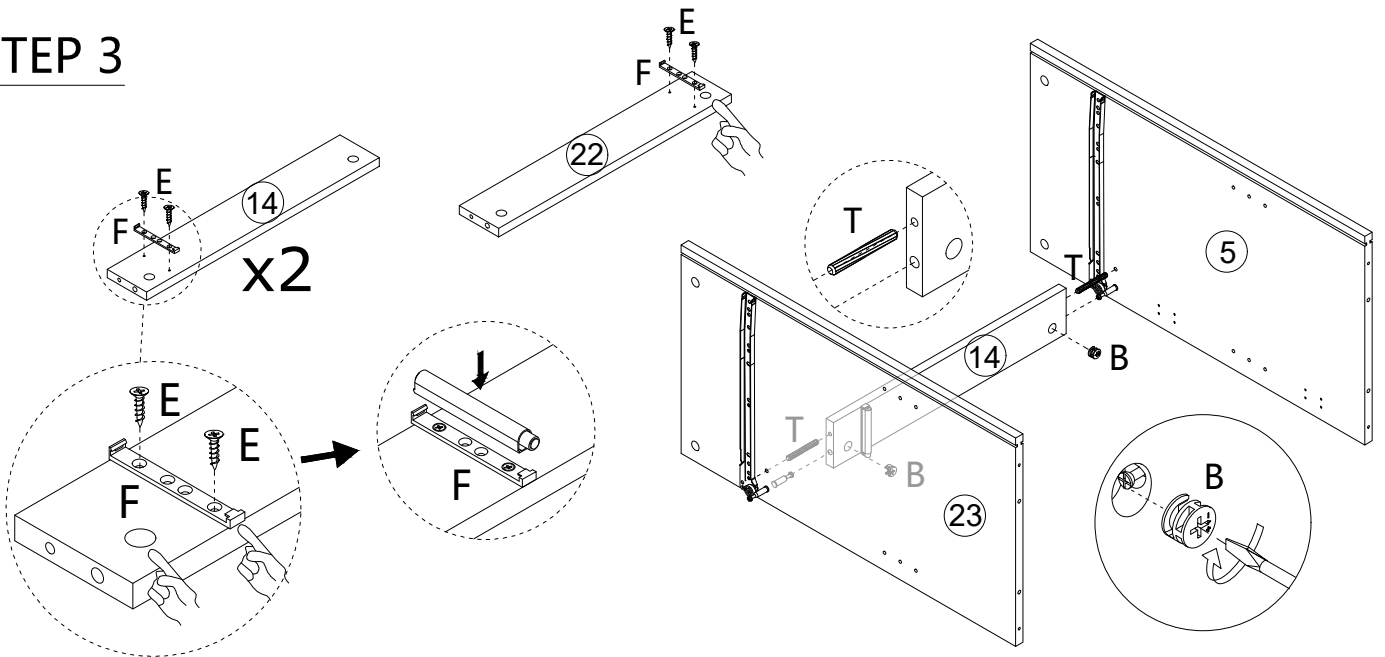
KLAST

www.klasthome.com

STEP 2



STEP 3



REMI

Ref: FF-0033

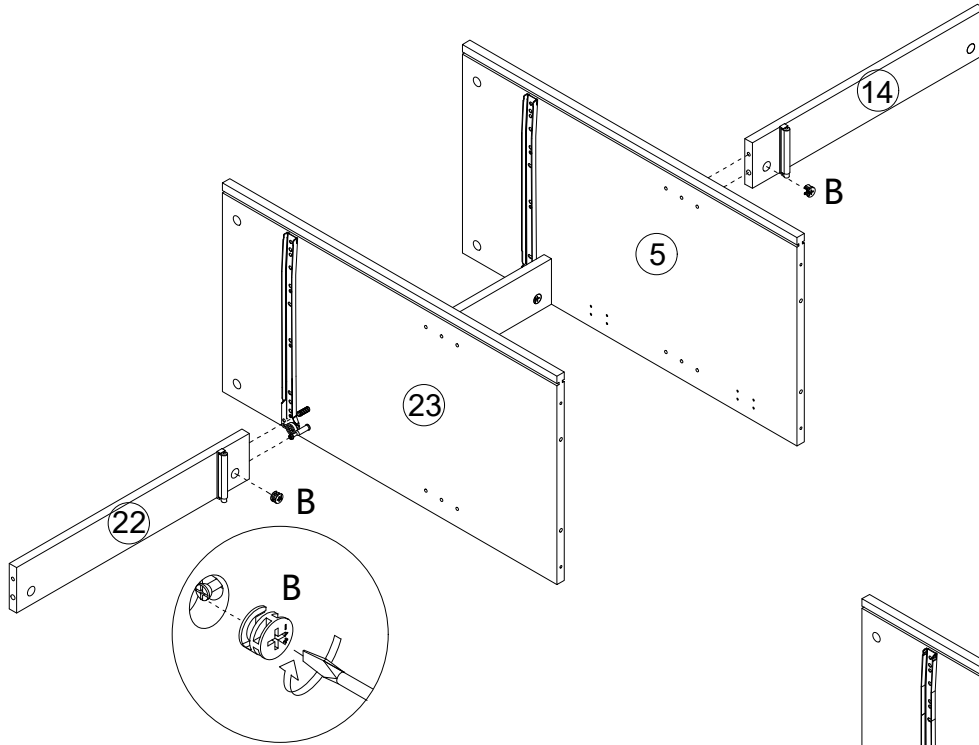
4/15

-V1.0-

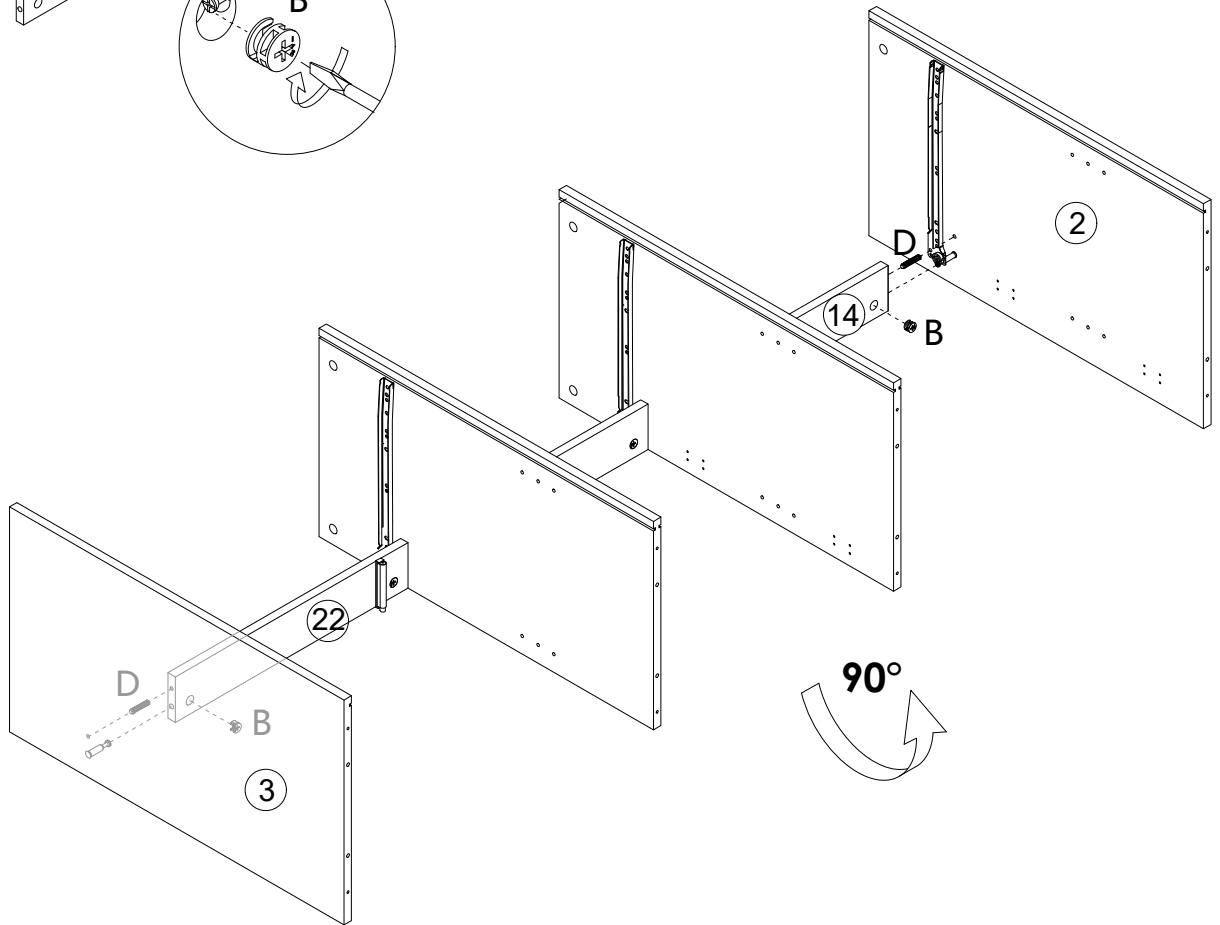
KLAST

www.klasthome.com

STEP 4



STEP 5



REMI

Ref: FF-0033

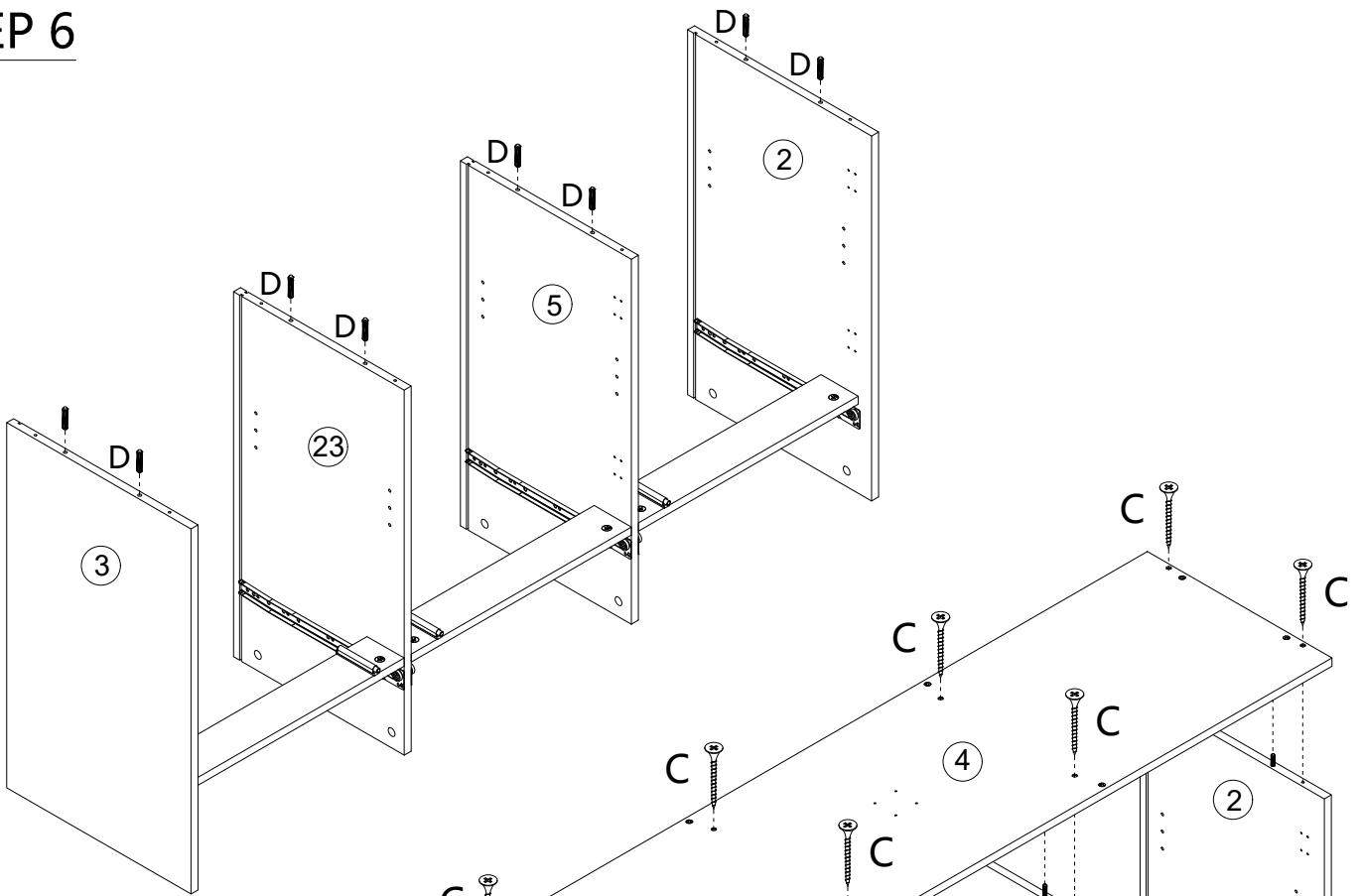
5/15

-V1.0-

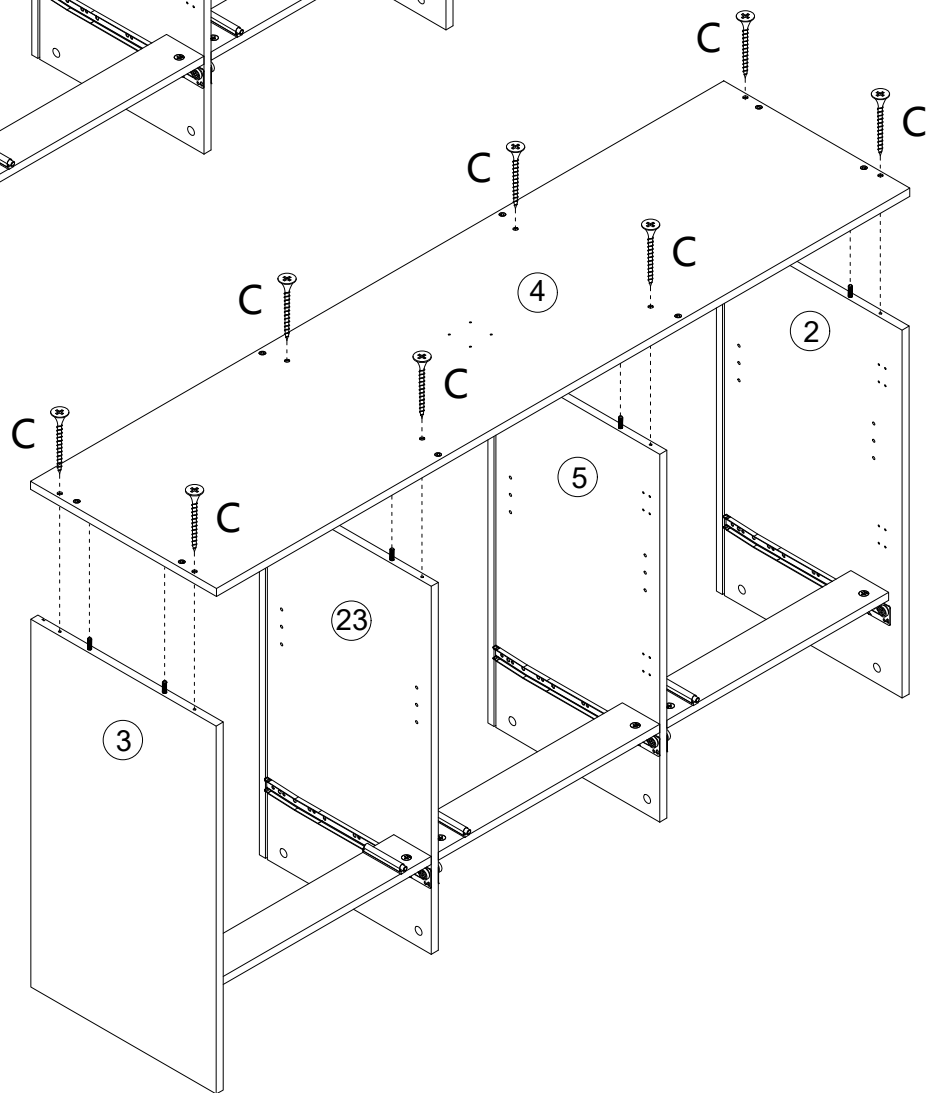
KLAST

www.klasthome.com

STEP 6



STEP 7



REMI

Ref: FF-0033

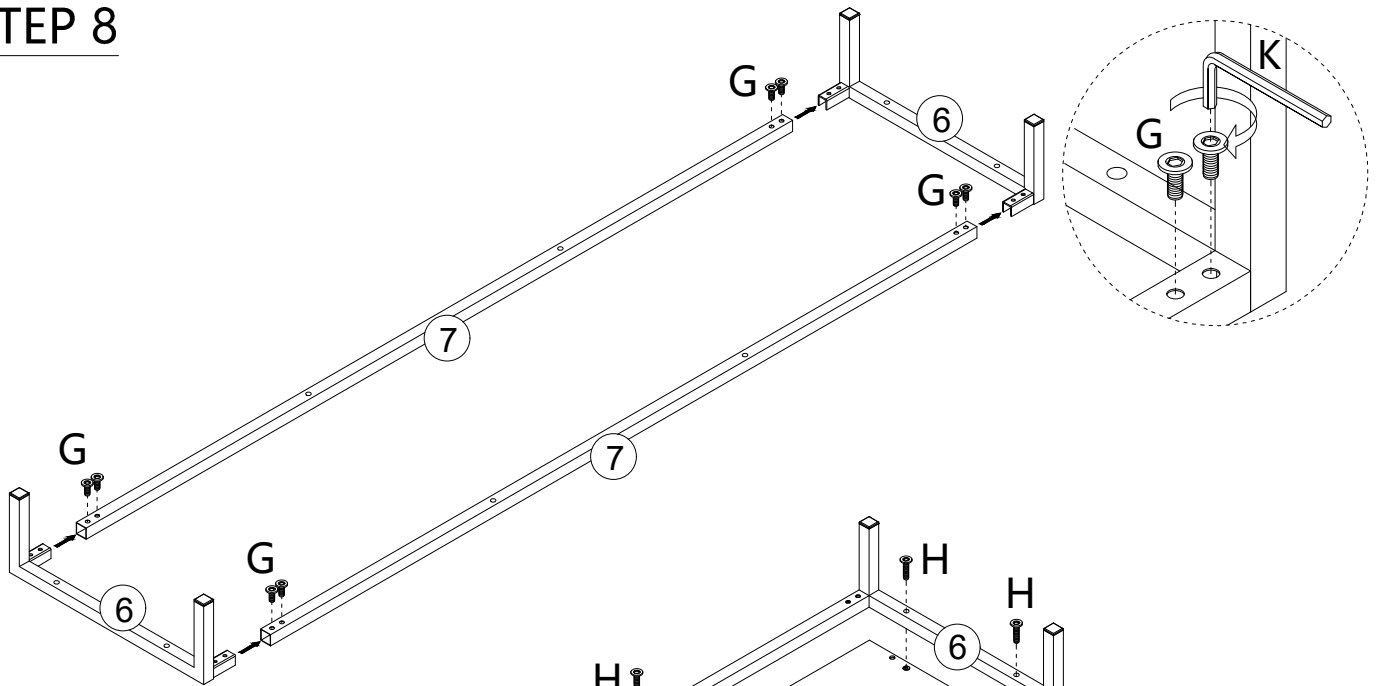
6/15

-V1.0-

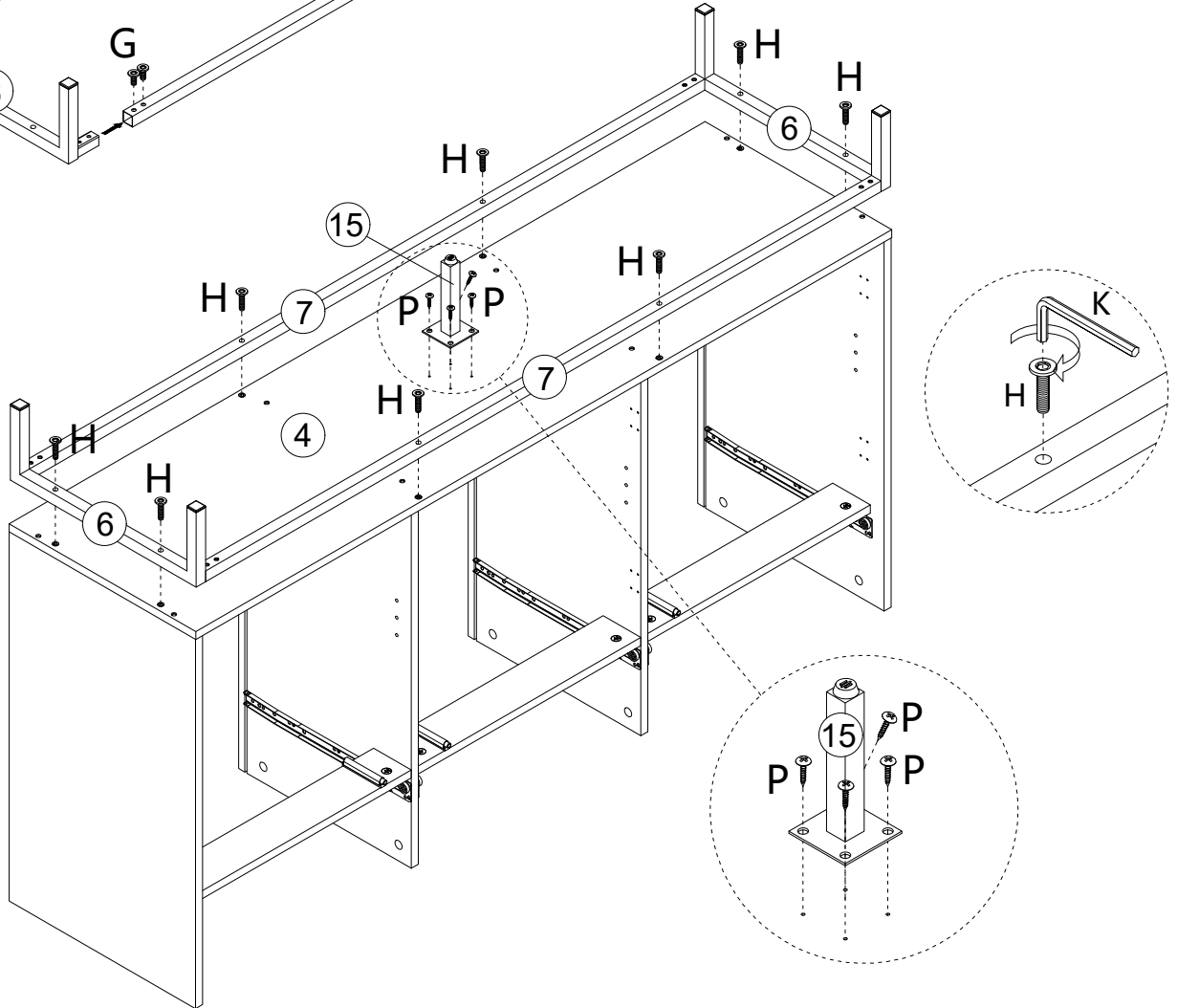
KLAST

www.klathome.com

STEP 8



STEP 9



REMI

Ref: FF-0033

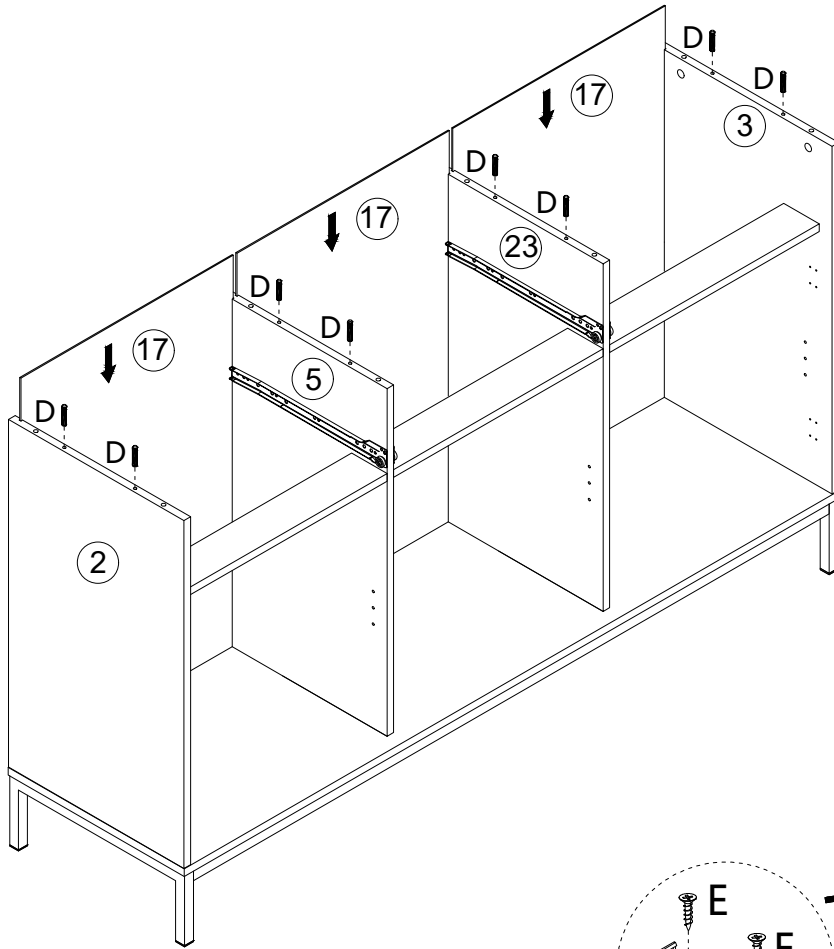
7/15

-V1.0-

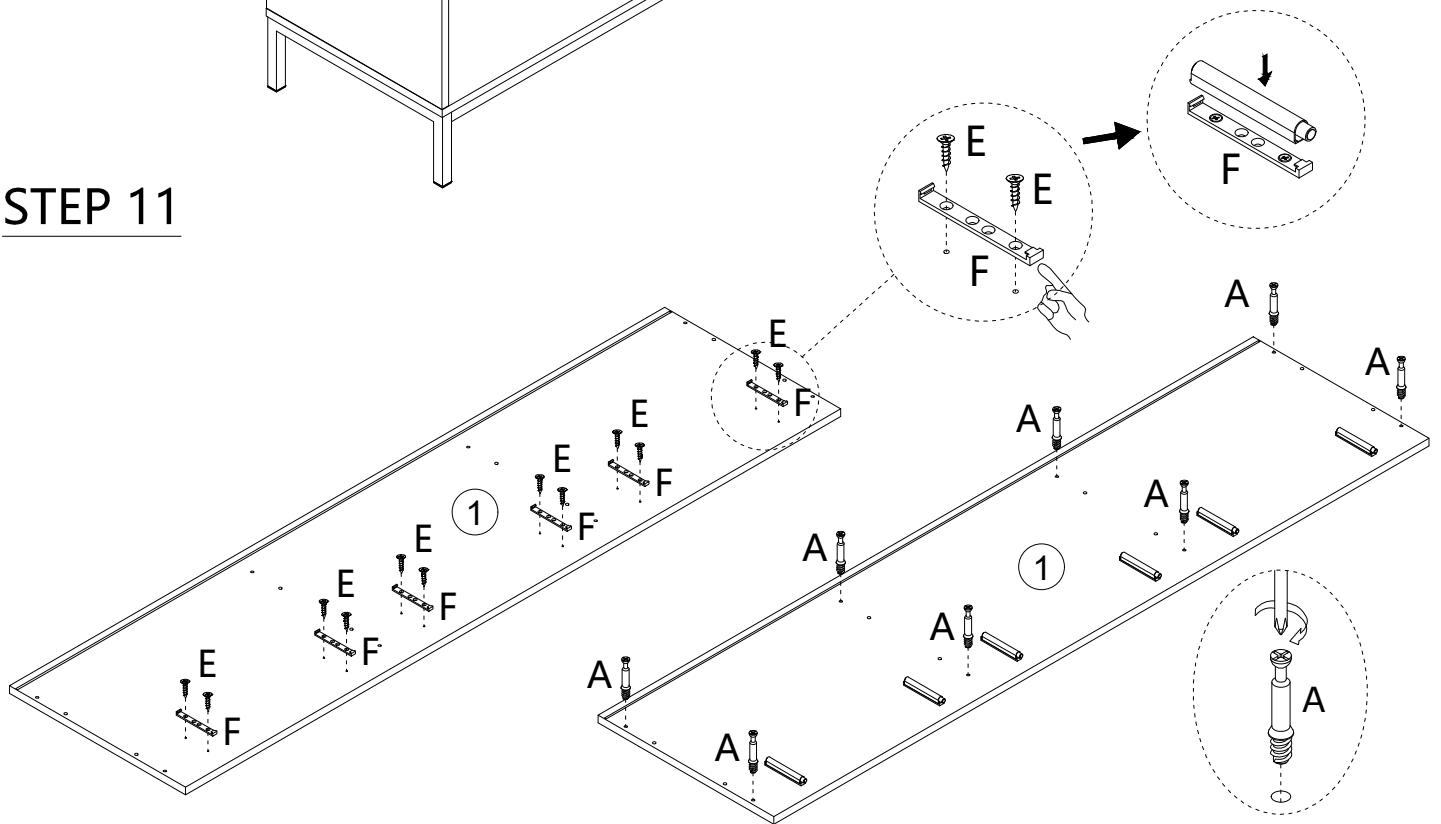
KLAST

www.klasthome.com

STEP 10



STEP 11



REMI

Ref: FF-0033

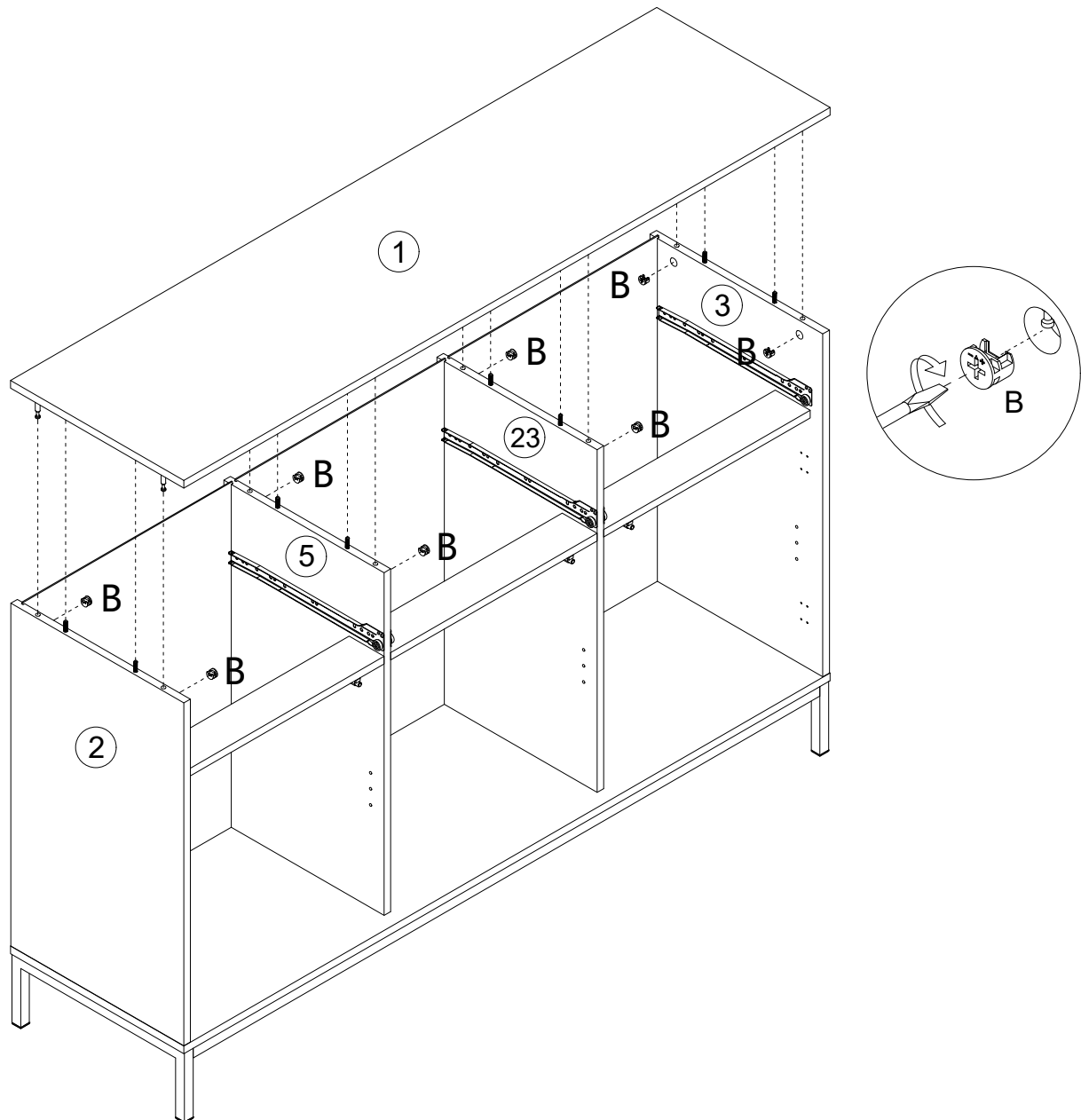
8/15

-V1.0-

KLAST

www.klasthome.com

STEP 12



REMI

Ref: FF-0033

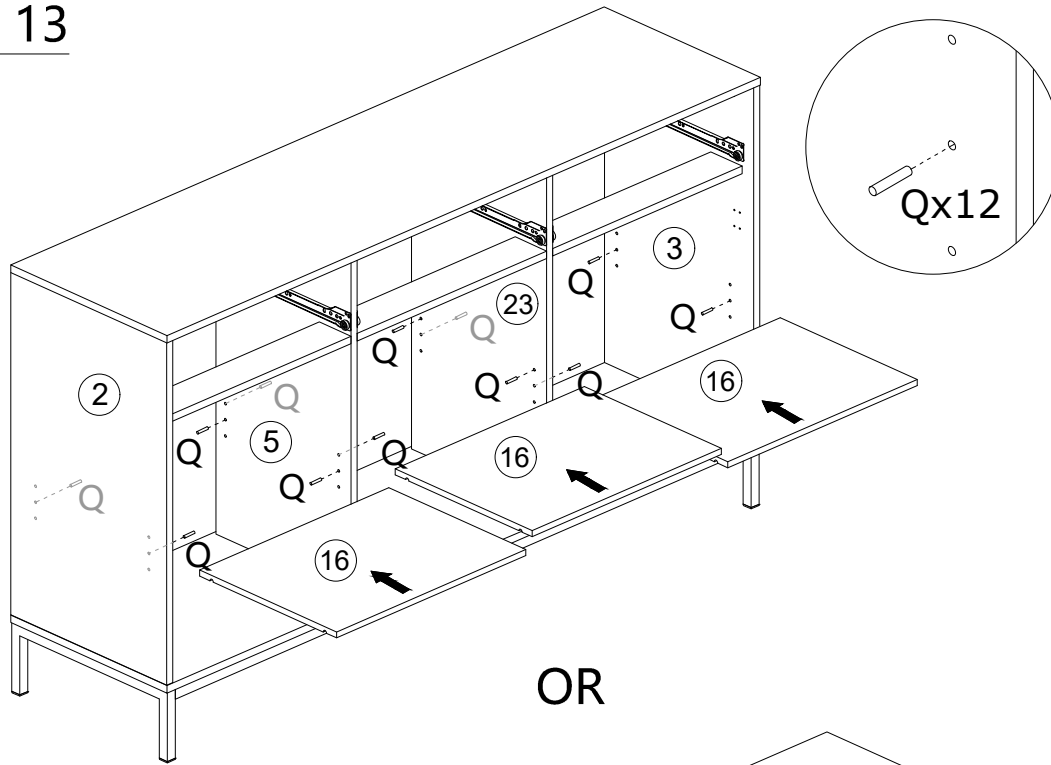
9/15

-V1.0-

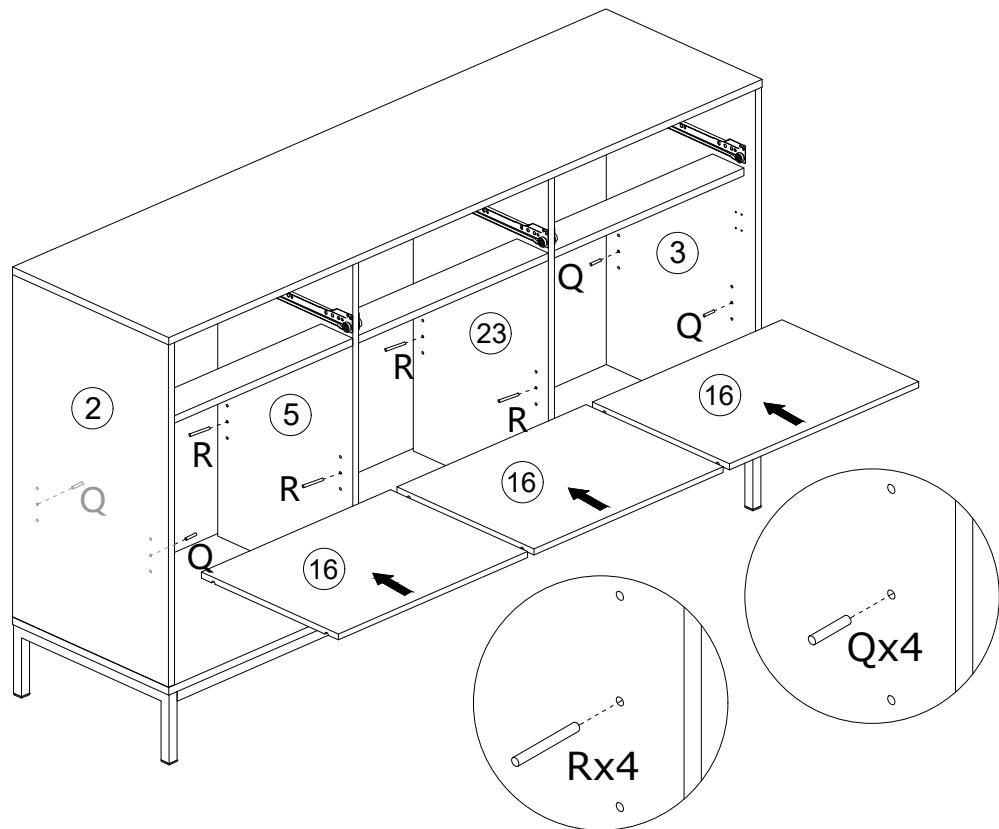
KLAST

www.klasthome.com

STEP 13



OR



REMI

Ref: FF-0033

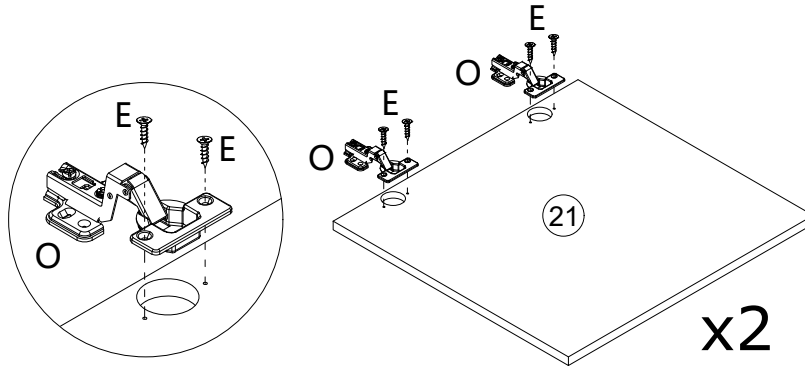
10/15

-V1.0-

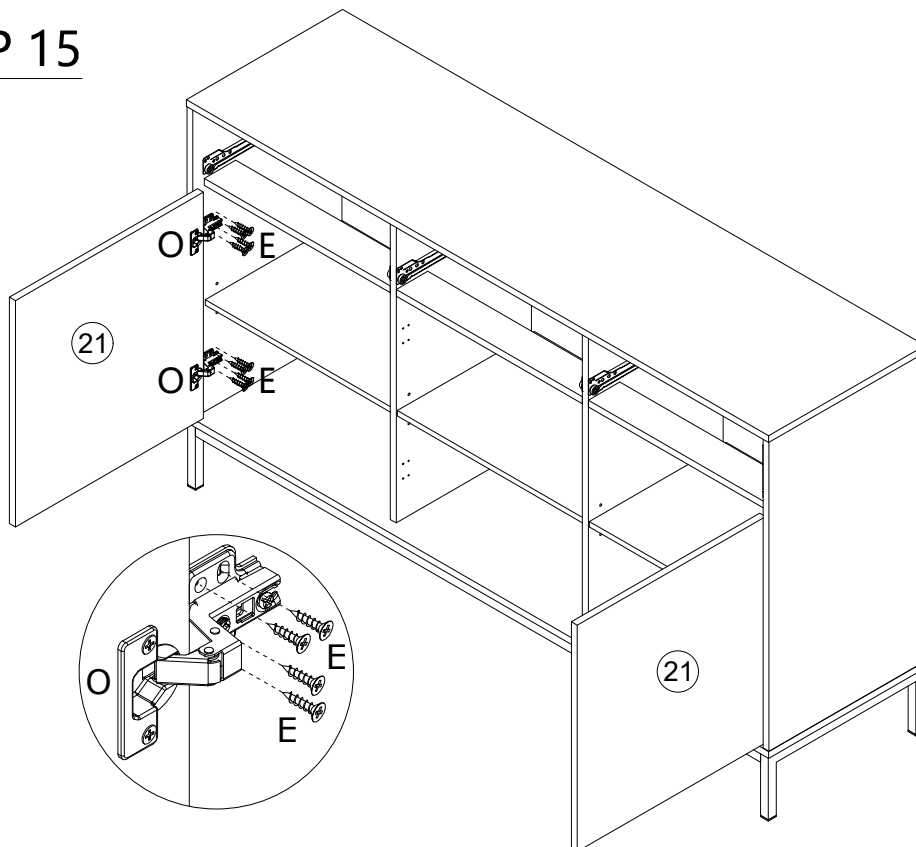
KLAST

www.klasthome.com

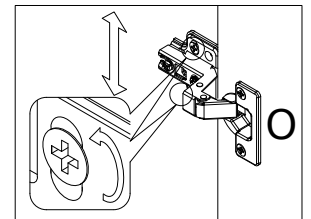
STEP 14



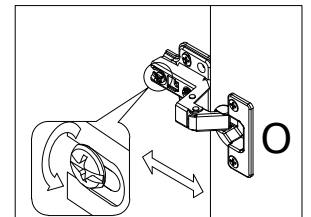
STEP 15



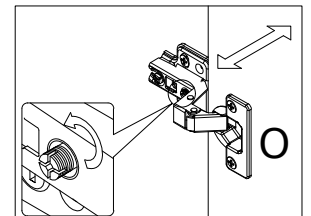
step1



step2



step3



REMI

Ref: FF-0033

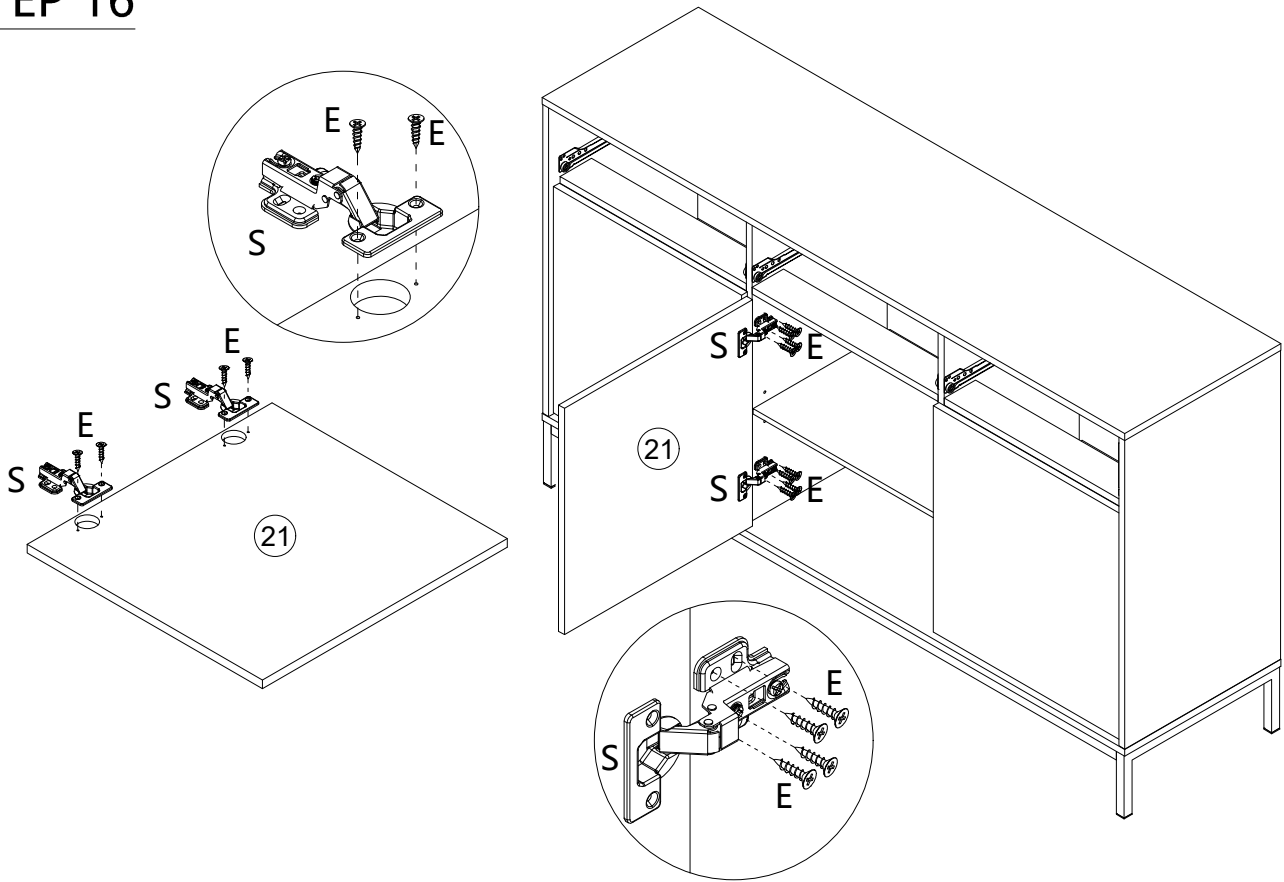
11/15

-V1.0-

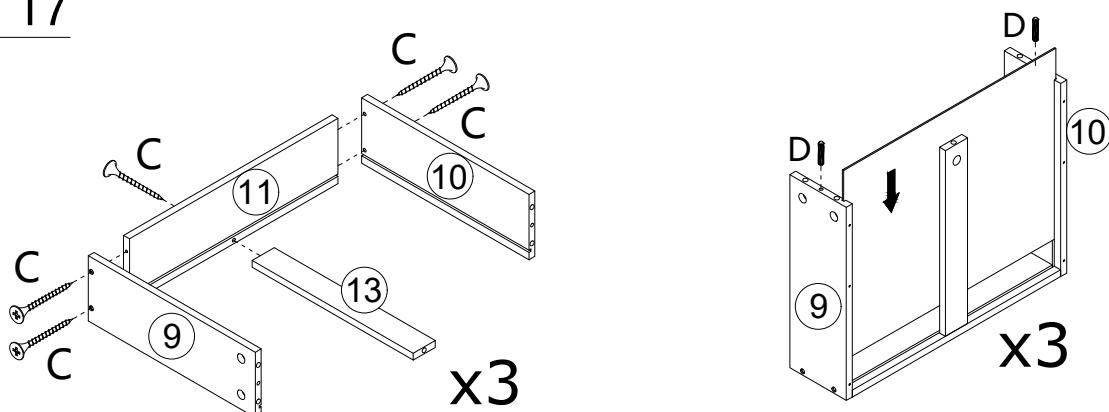
KLAST

www.klasthome.com

STEP 16



STEP 17



REMI

Ref: FF-0033

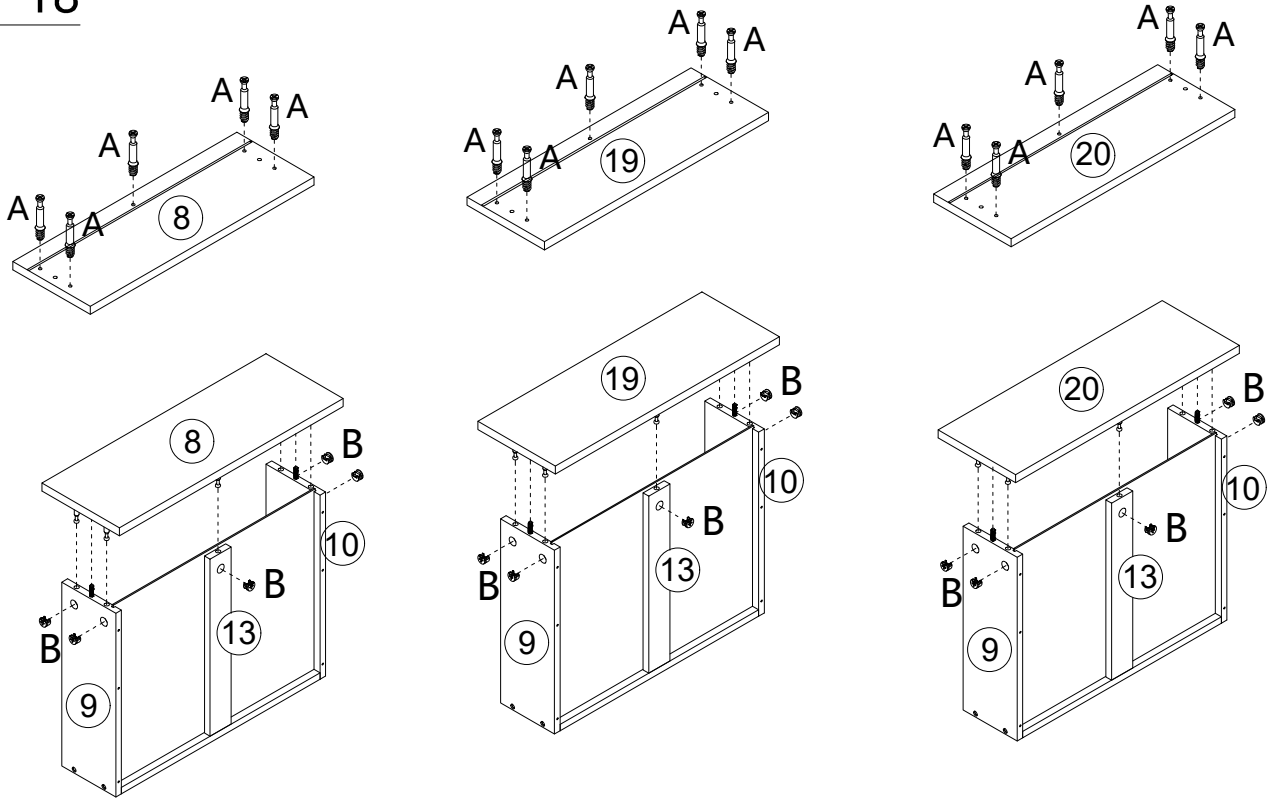
12/15

-V1.0-

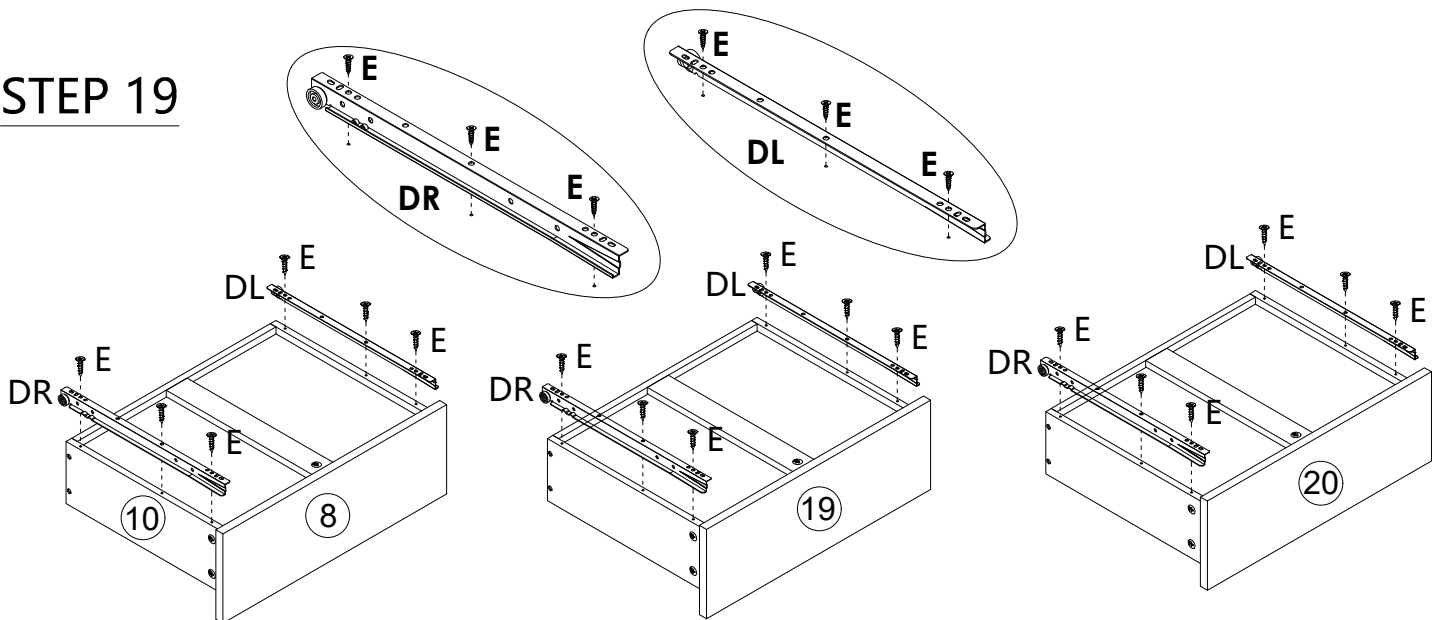
KLAST

www.klathome.com

STEP 18



STEP 19



REMI

Ref: FF-0033

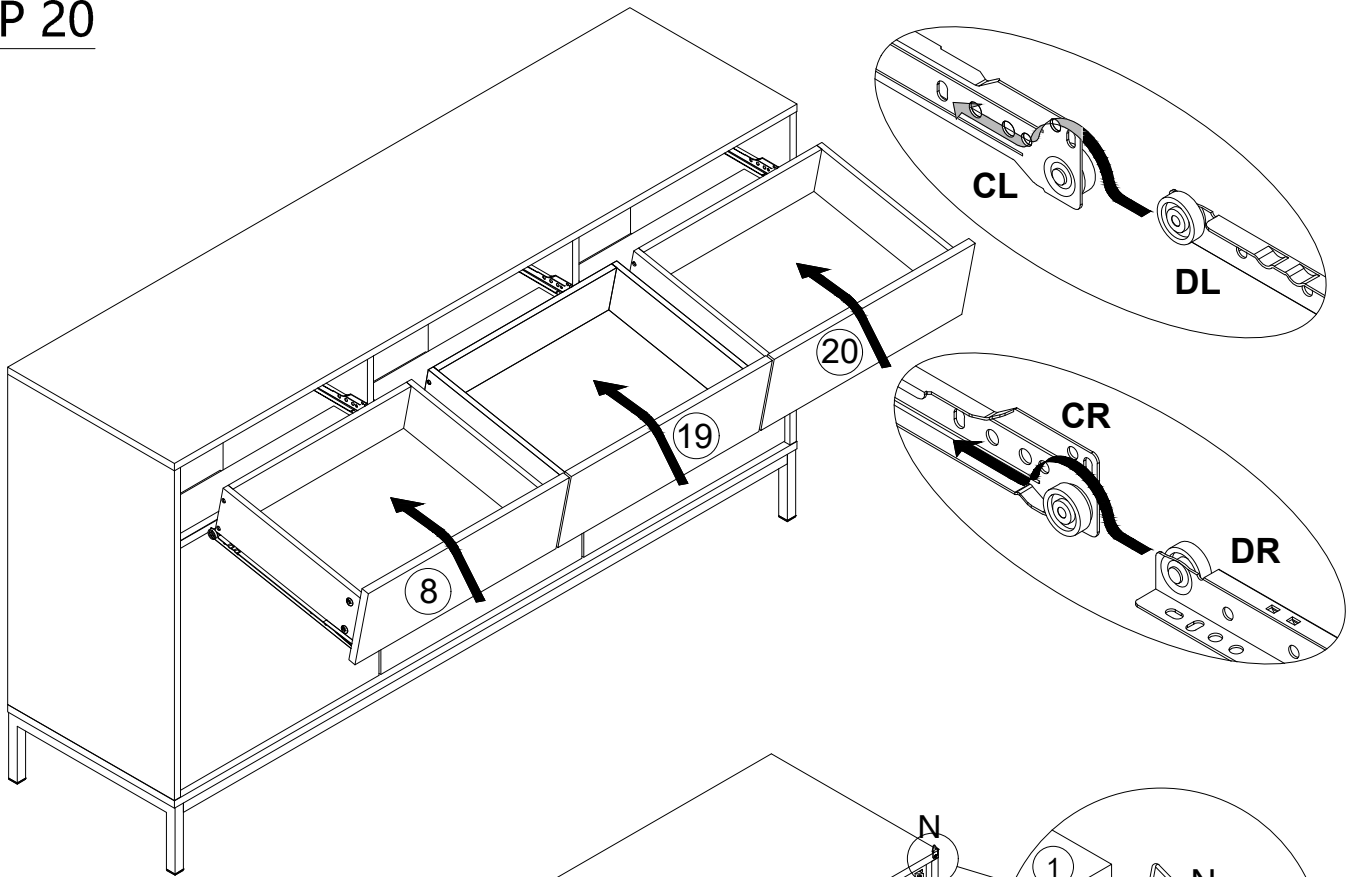
13/15

-V1.0-

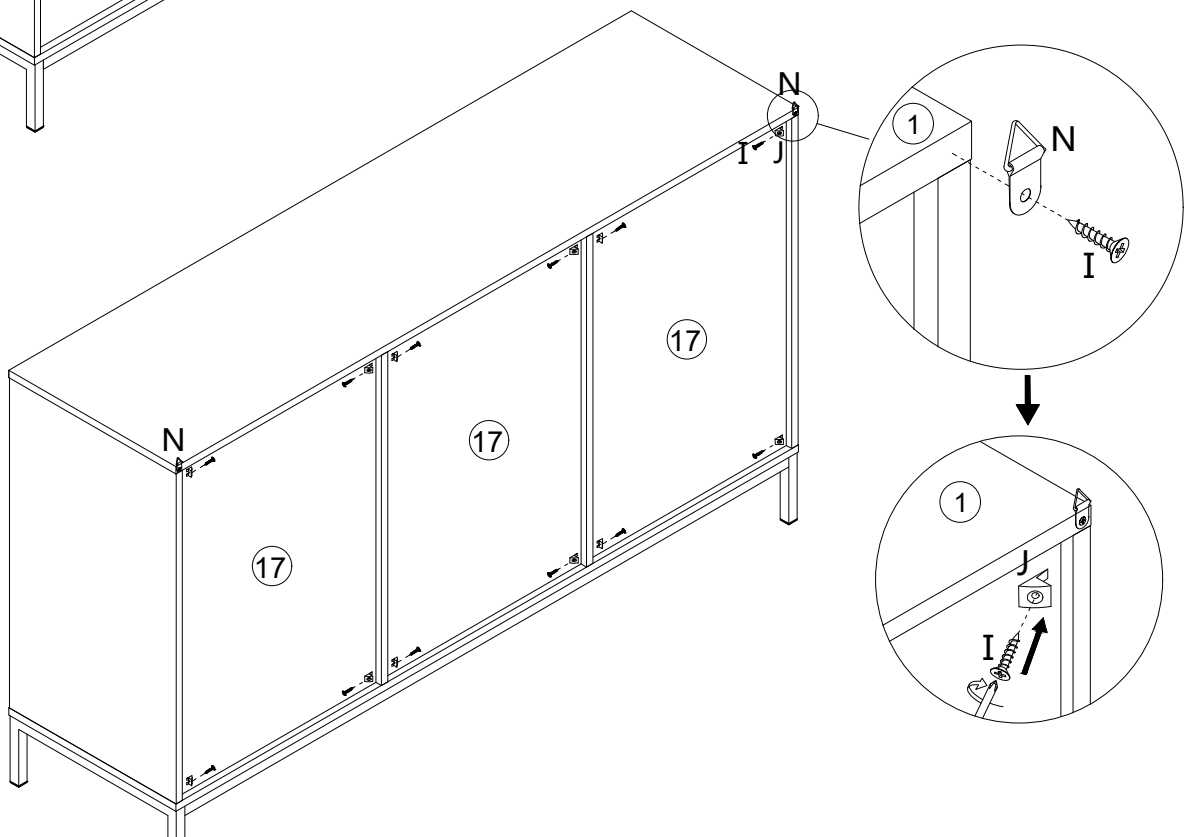
KLAST

www.klathome.com

STEP 20



STEP 21



REMI

Ref: FF-0033

14/15

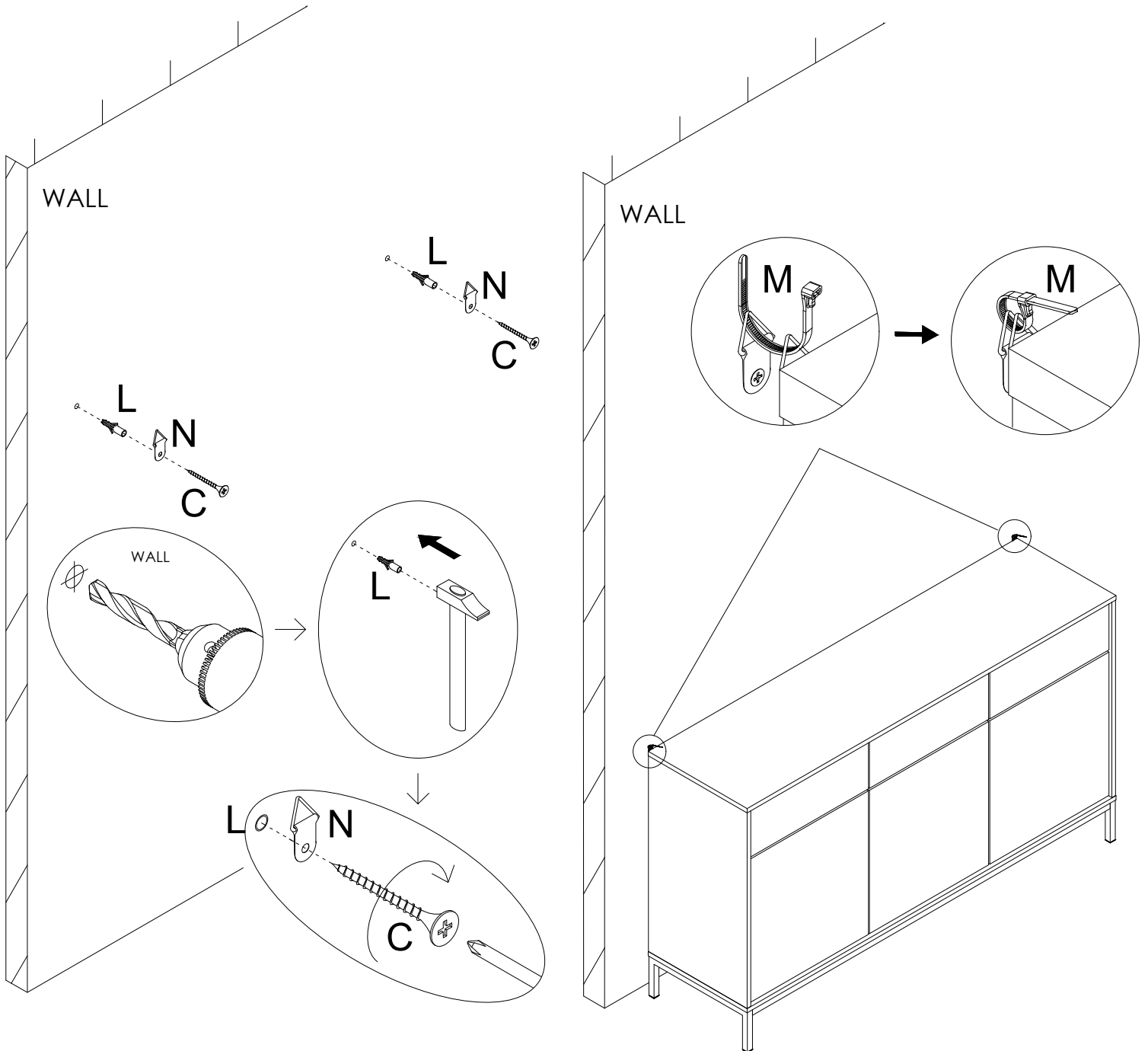
-V1.0-

KLAST

www.klasthome.com

STEP 22

STEP 23



REMI

Ref: FF-0033

15/15

-V1.0-