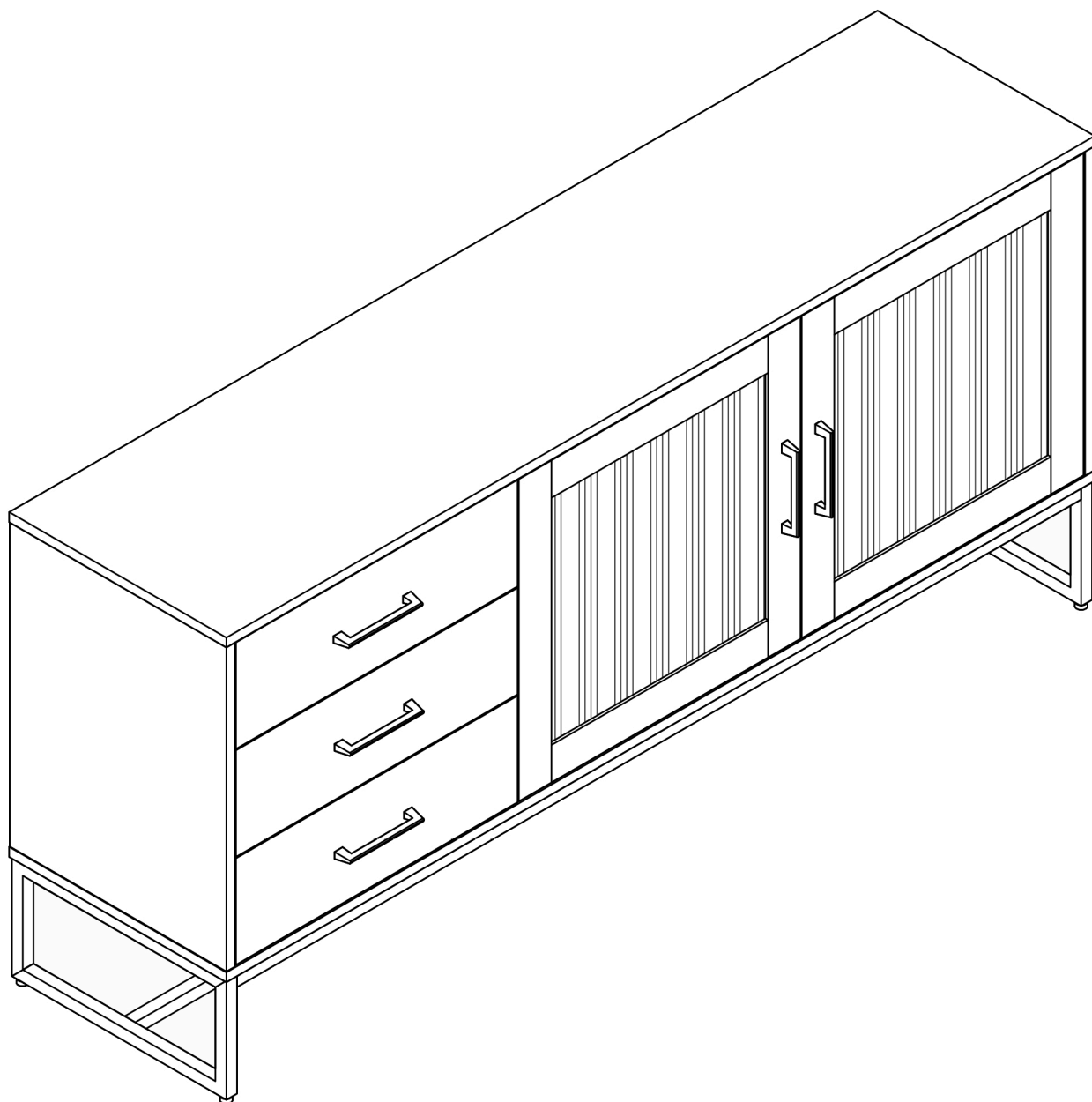


KLAST

www.klasthome.com



MILAN

Ref: SC-0013

1/13

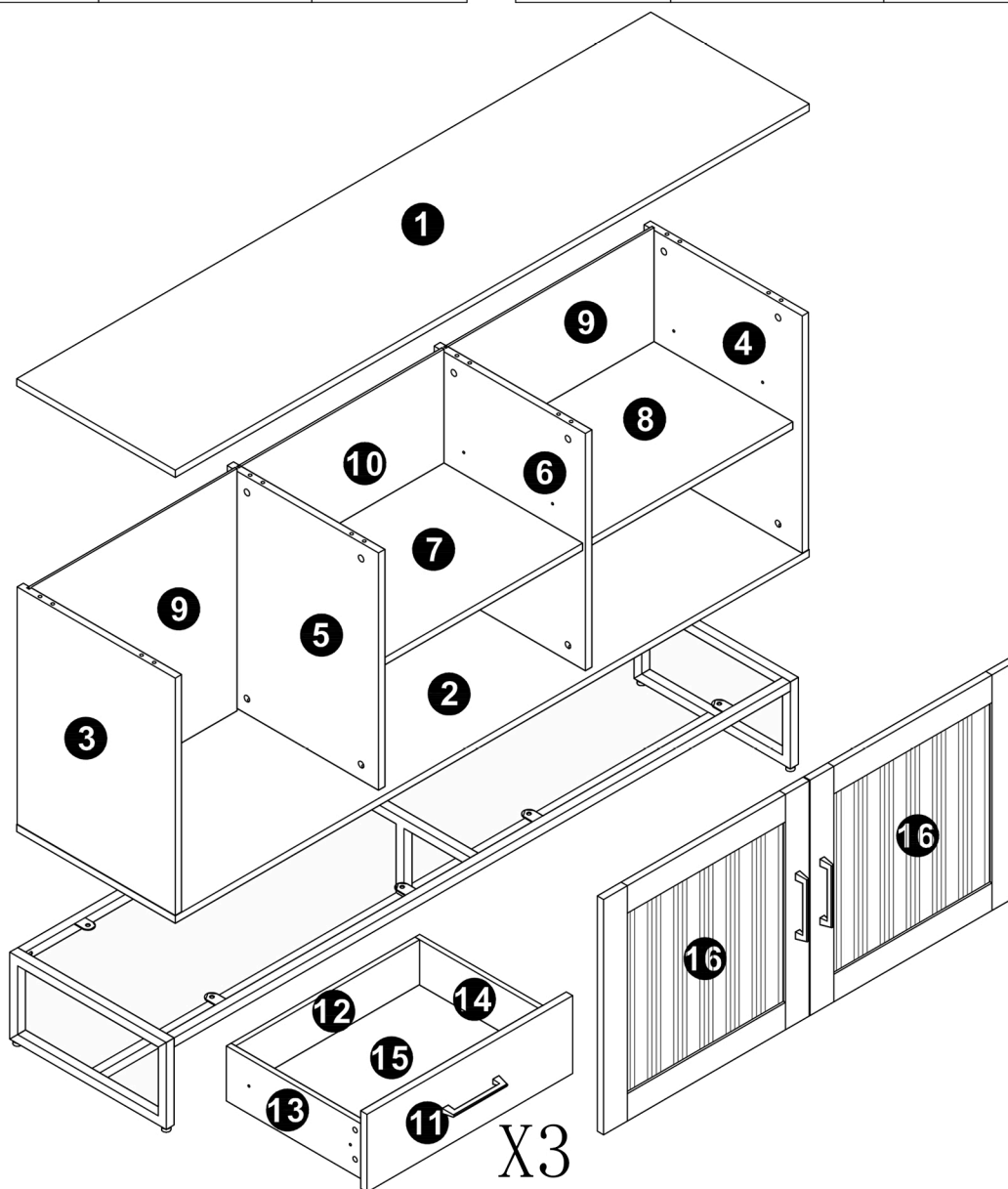
-V1.0-

KLAST

www.klasthome.com

PANEL No	SIZE PANEL (mm)	QUANTITY
1	1600x400x16	1
2	1600x400x16	1
3	518x399x16	1
4	518x399x16	1
5	518x382x16	1
6	518x382x16	1
7	503x350x16	1
8	511x350x16	1

PANEL No	SIZE PANEL (mm)	QUANTITY
9	528x524x5	2
10	528x516x5	1
11	519x170x16	3
12	464x120x12	3
13	350x120x12	3
14	350x120x12	3
15	474x348x5	3
16	514x519x16	2



MILAN

Ref: SC-0013

KLAST

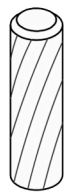
www.klathome.com

MATERIAL



M6*40

A=16



Φ 8*30

B=16



Φ 15*12

C=16

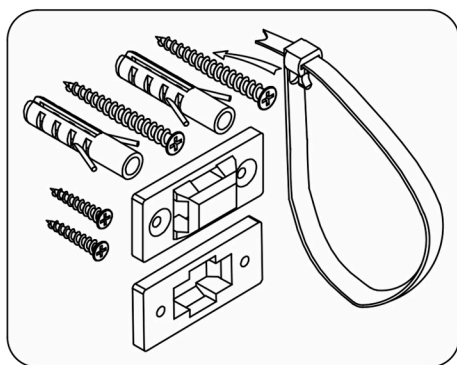


Φ 21

D=40



E=12



F=1



M6*16

G1=16

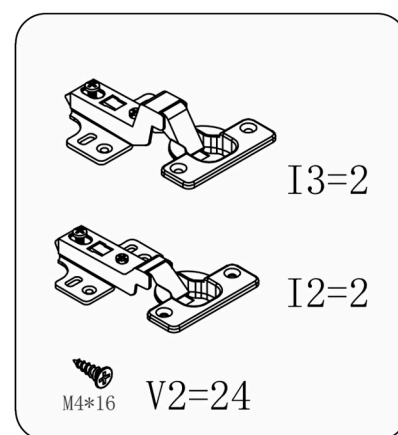


M6*30

G2=1



H=1

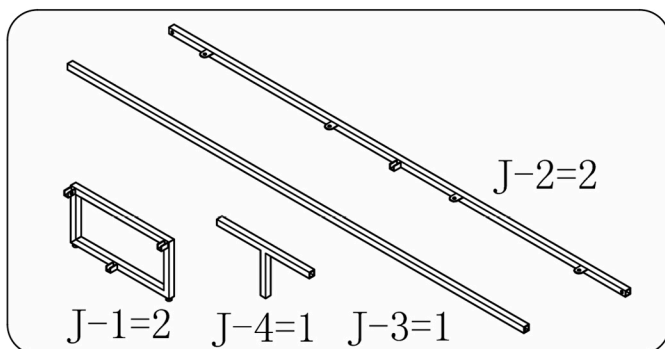


I3=2

I2=2

M4*16

V2=24

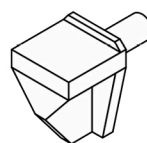


J-2=2

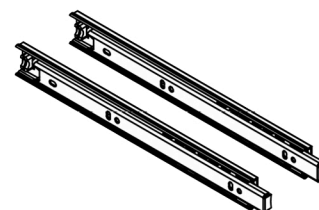
J-1=2

J-4=1

J-3=1



L=8



N=3



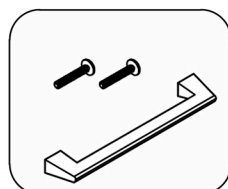
M6*34

O=24



Φ 12*10.5

P=24



U=5



M3. 5*12

V1=24



Z1=8



Z2=8

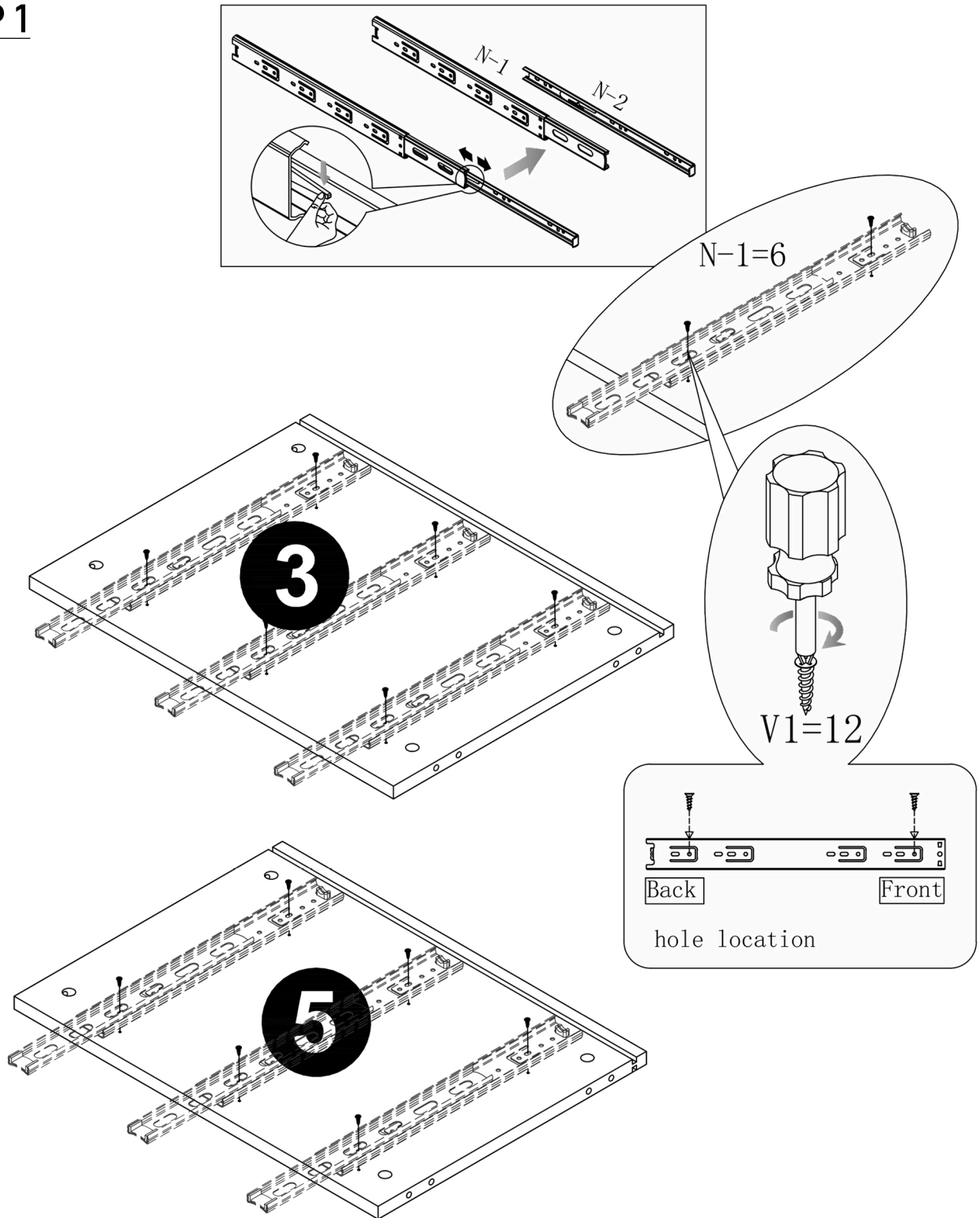
MILAN

Ref: SC-0013

KLAST

www.klasthome.com

STEP 1



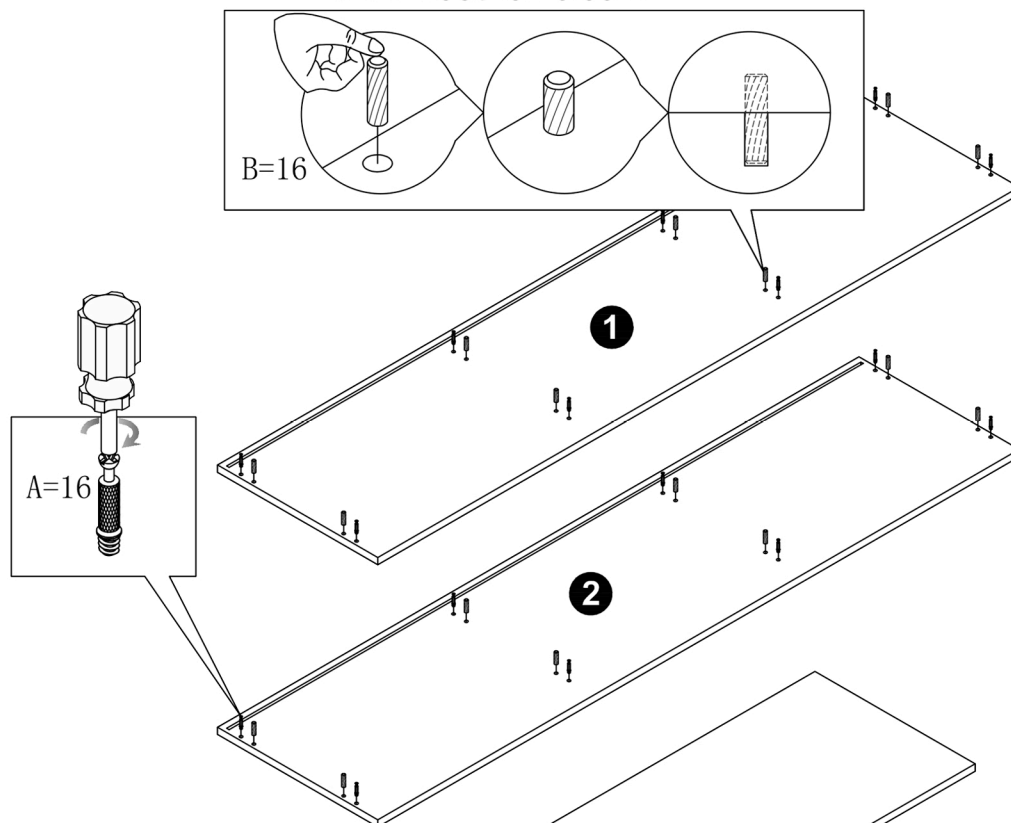
MILAN

Ref: SC-0013

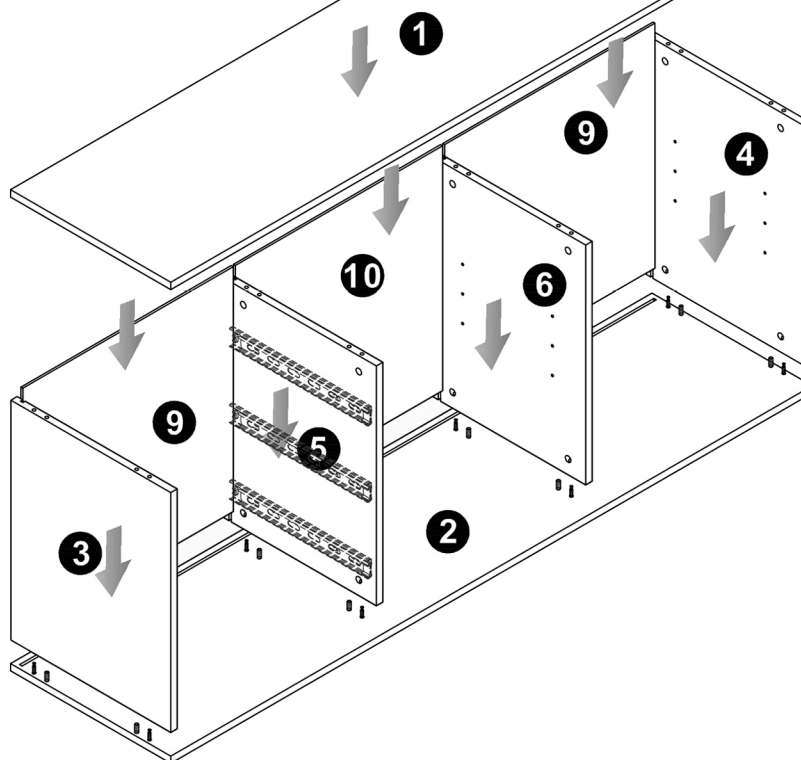
KLAST

www.klasthome.com

STEP 2



STEP 3



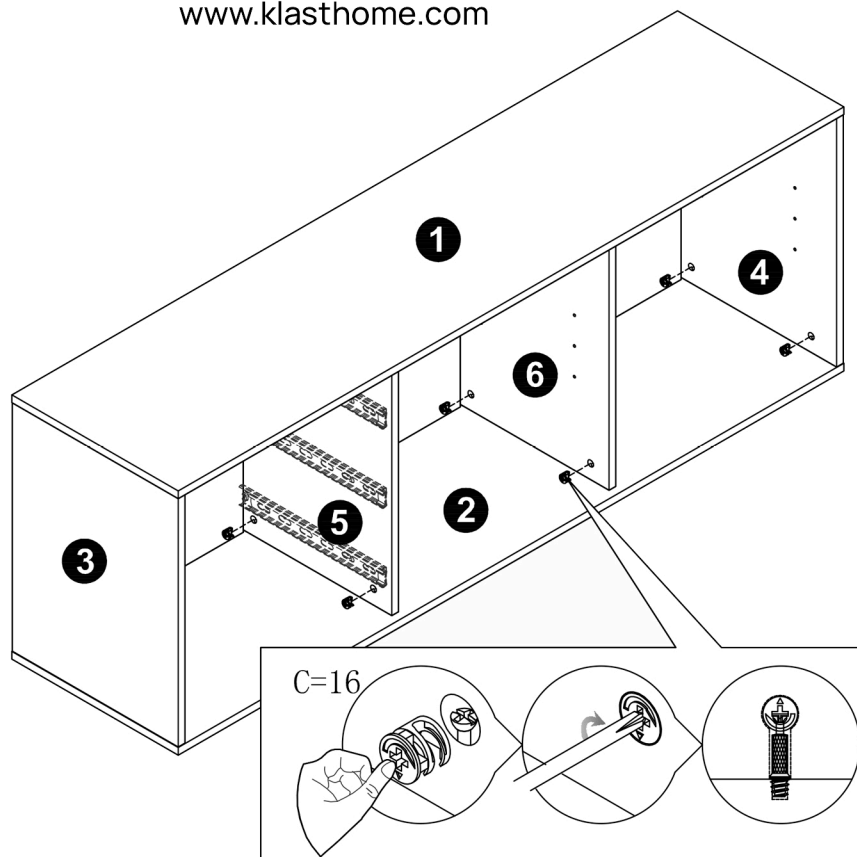
MILAN

Ref: SC-0013

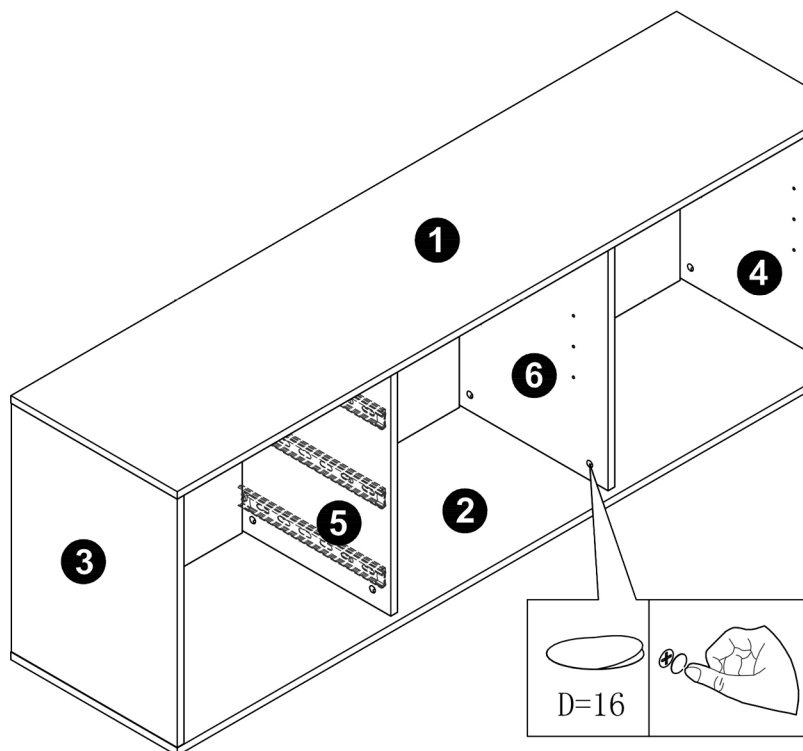
KLAST

www.klasthome.com

STEP 4



STEP 5



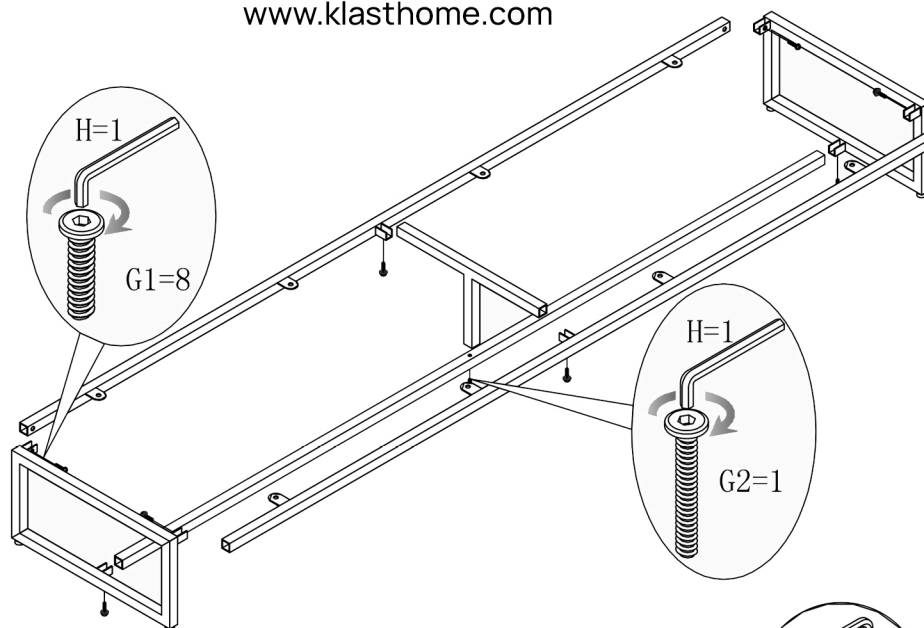
MILAN

Ref: SC-0013

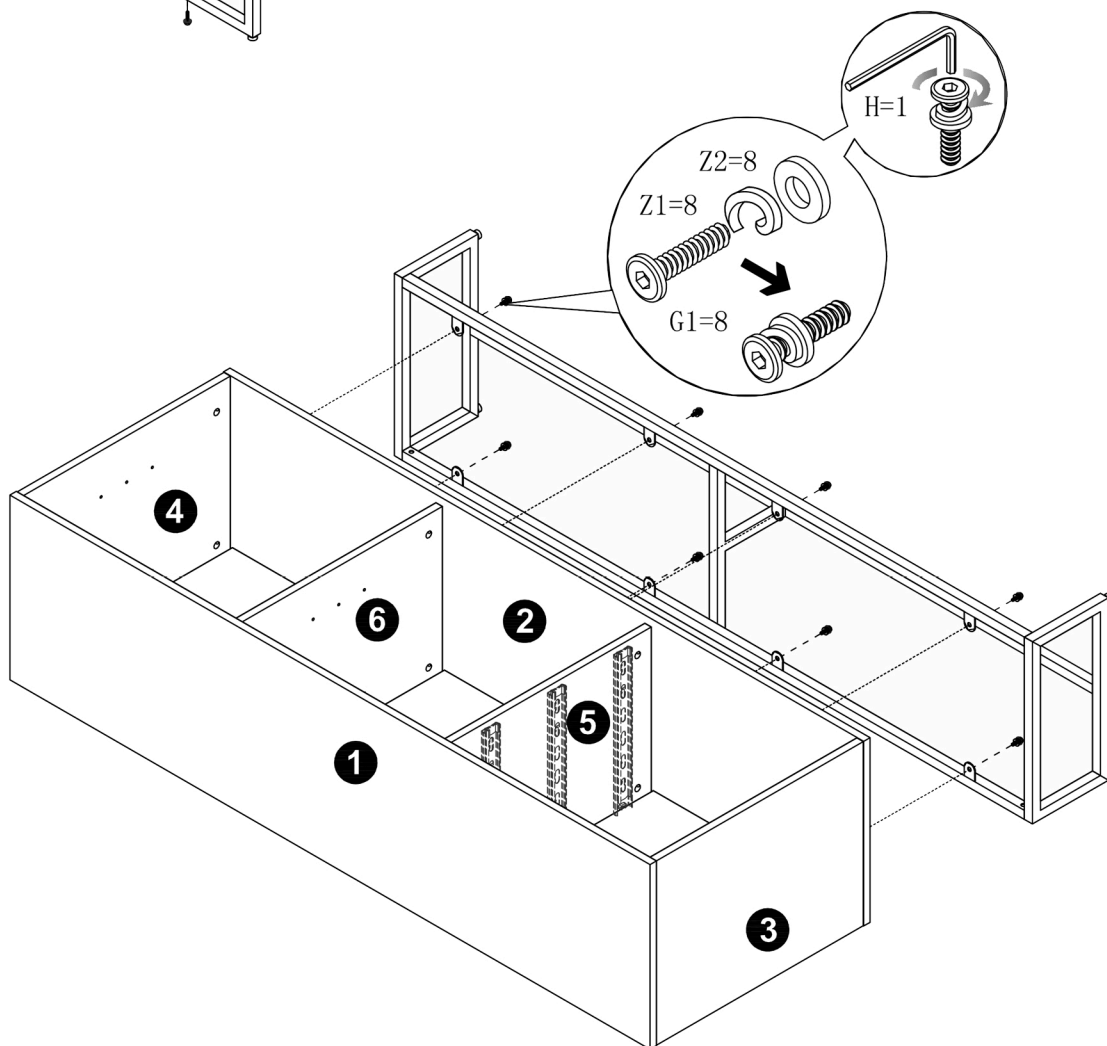
KLAST

www.klasthome.com

STEP 6



STEP 7



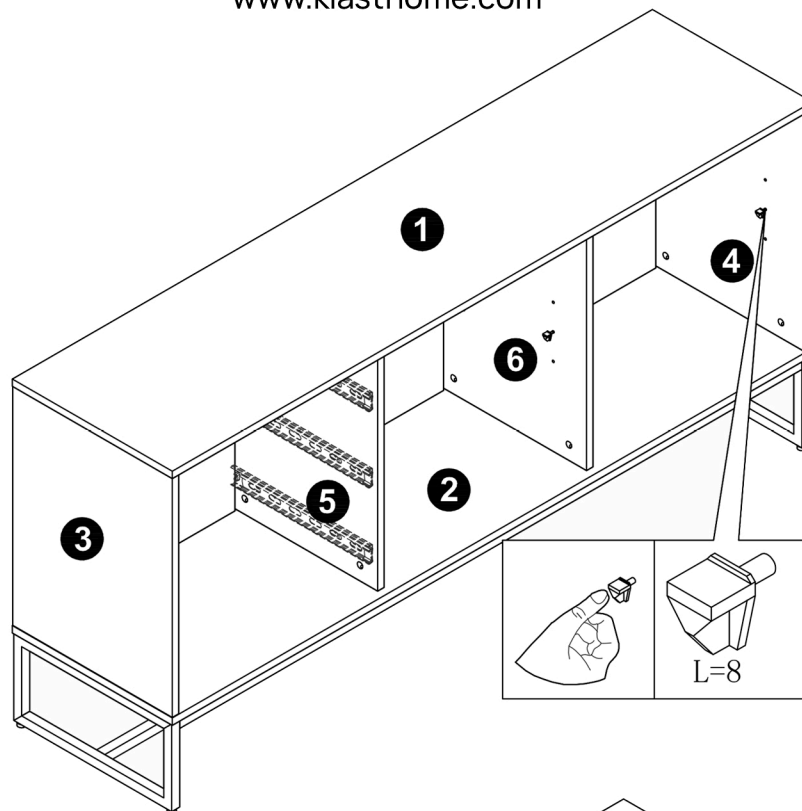
MILAN

Ref: SC-0013

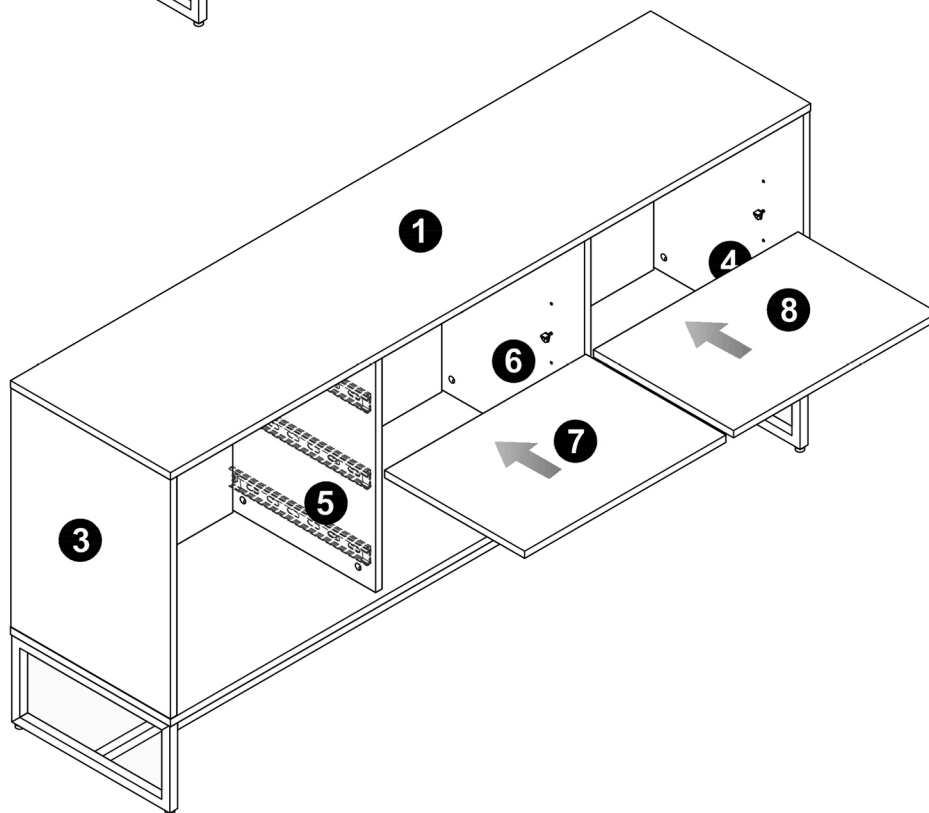
KLAST

www.klasthome.com

STEP 8



STEP 9



MILAN

Ref: SC-0013

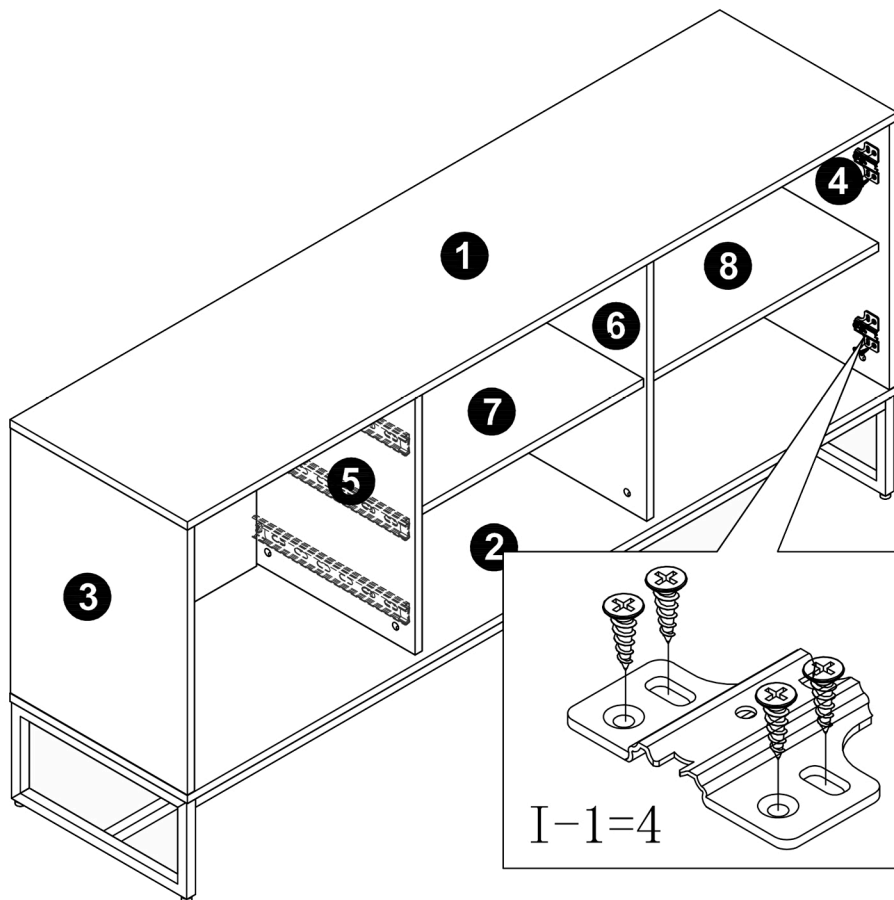
8/13

-V1.0-

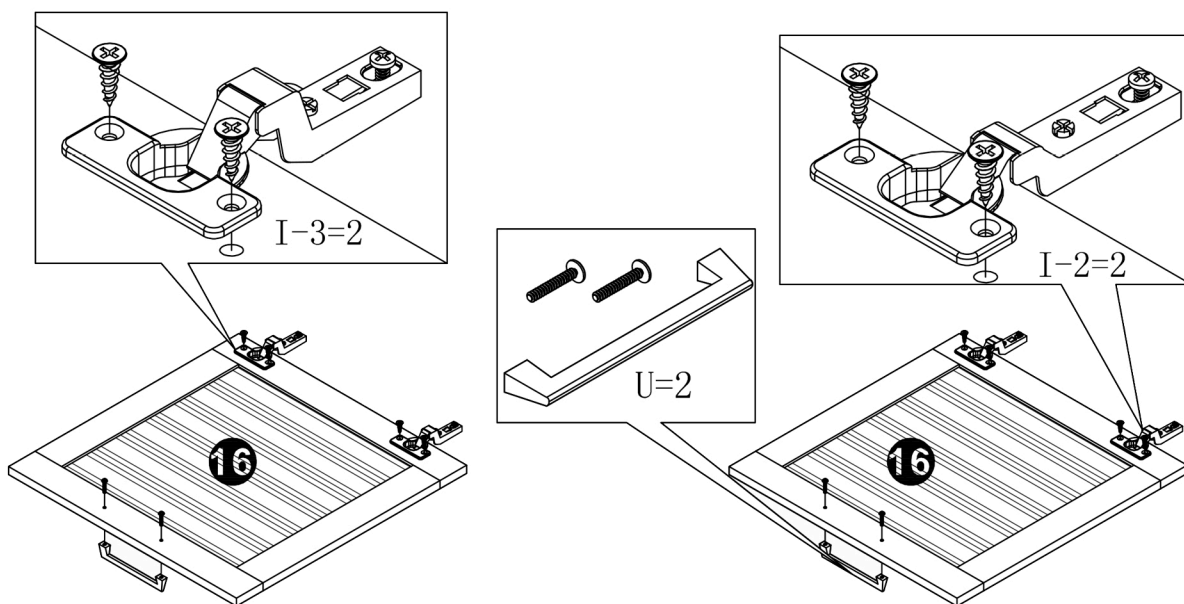
KLAST

www.klathome.com

STEP 10



STEP 11



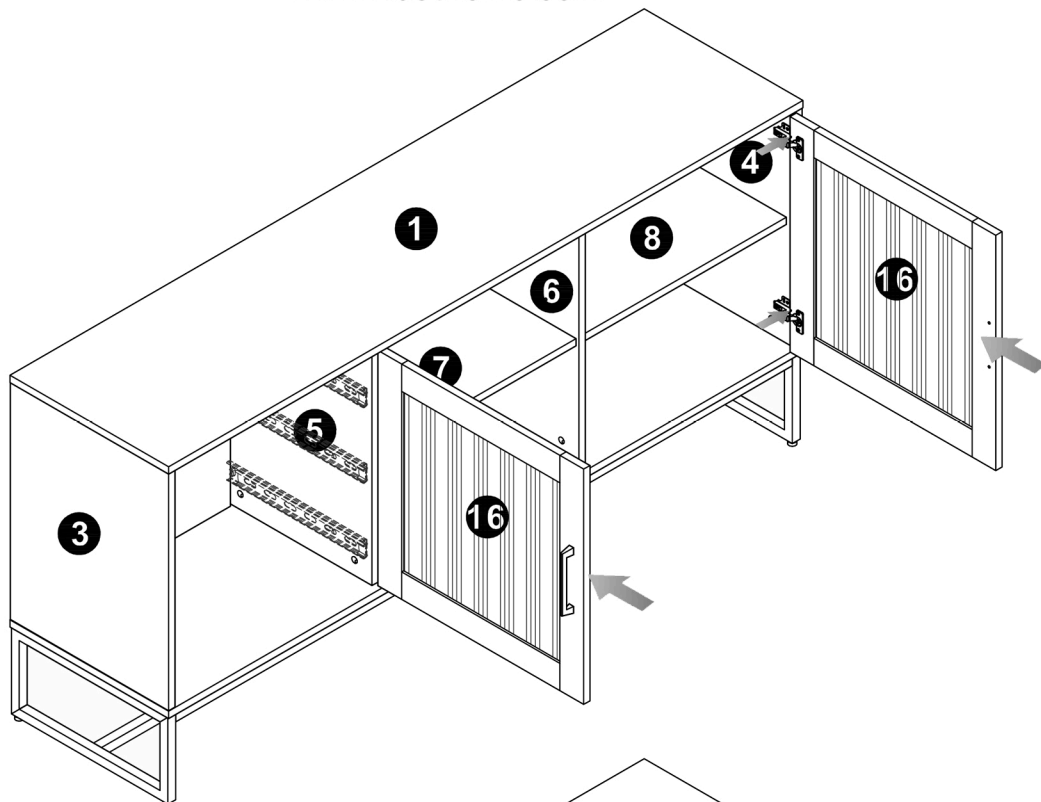
MILAN

Ref: SC-0013

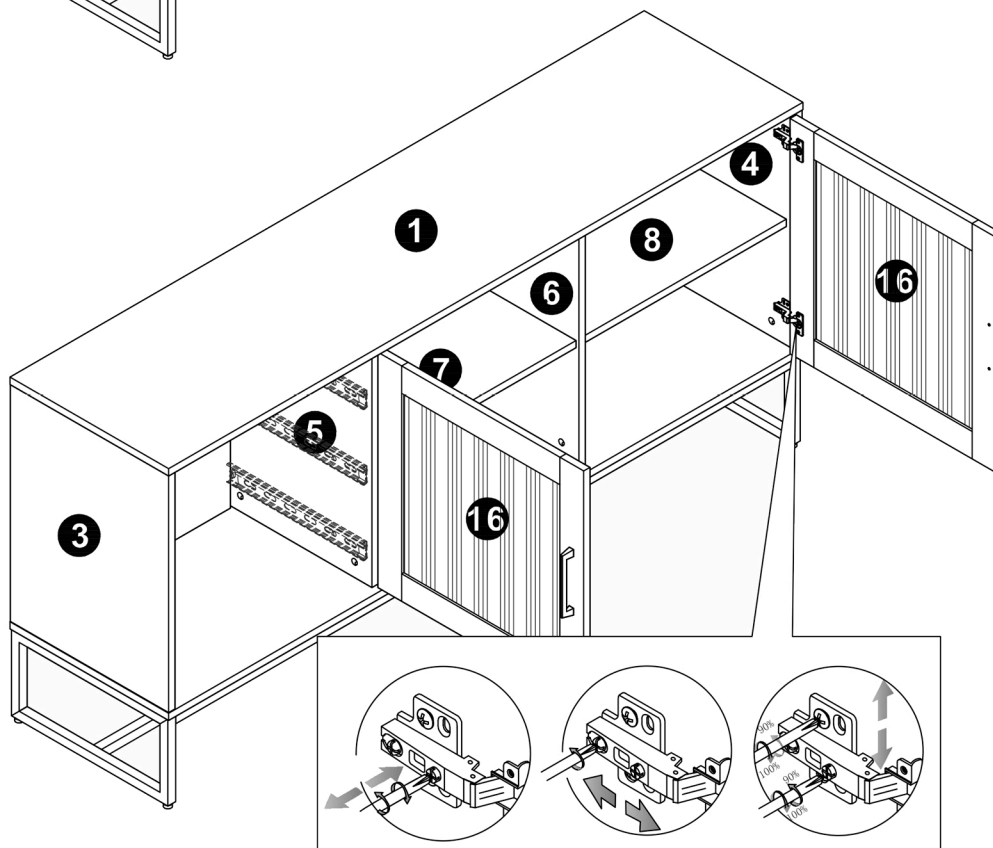
KLAST

www.klasthome.com

STEP 12



STEP 13



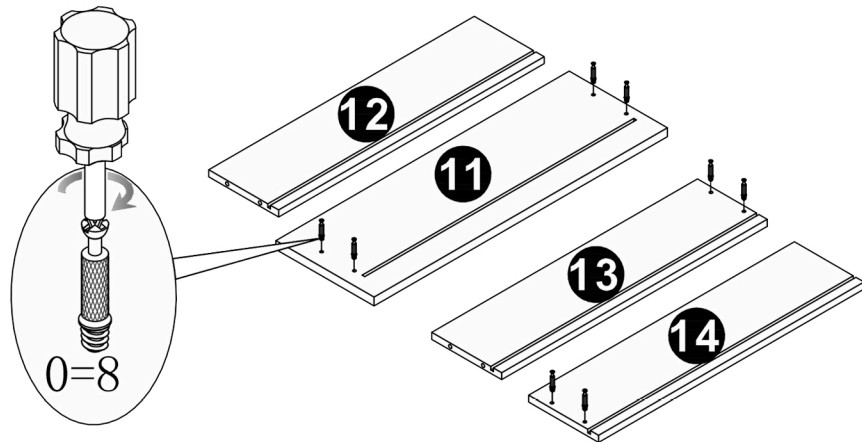
MILAN

Ref: SC-0013

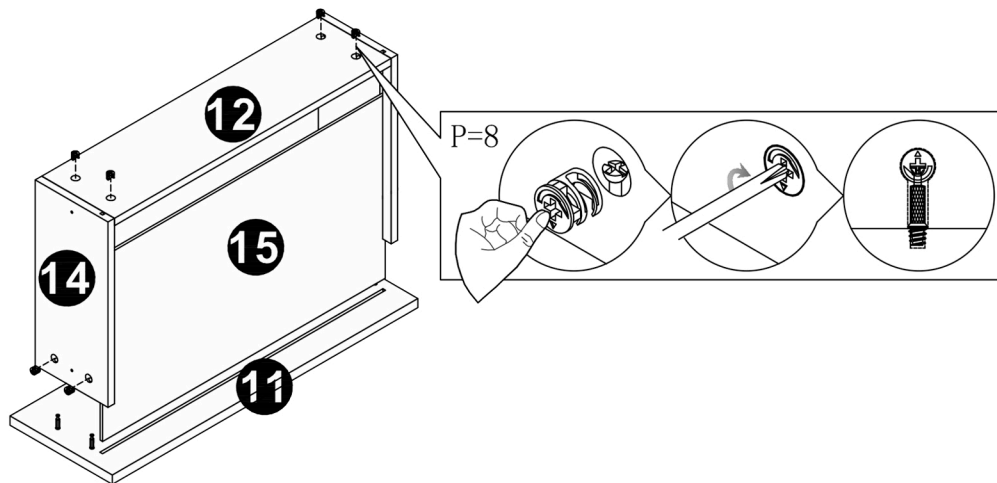
KLAST

www.klasthome.com

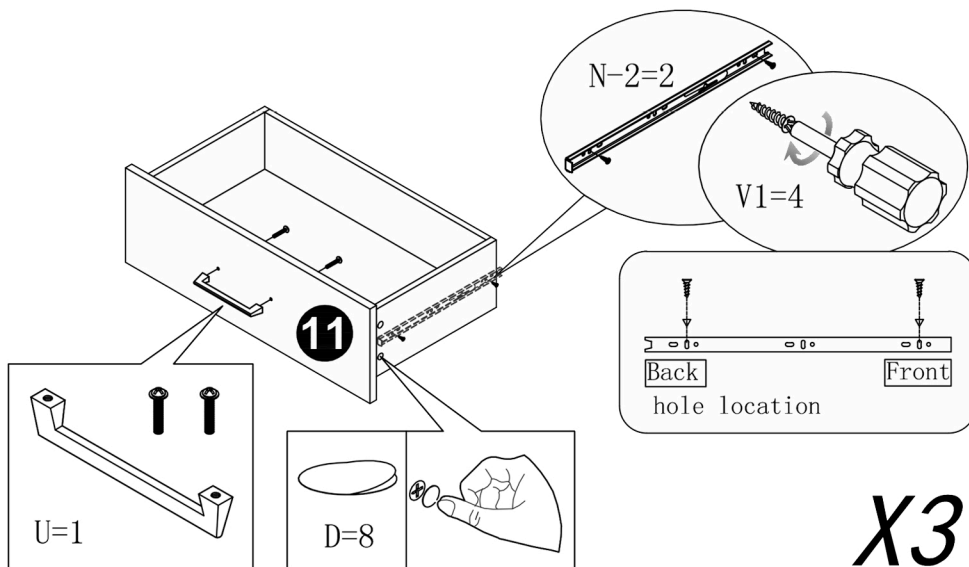
STEP 14.1



STEP 14.2



STEP 14.3



X3

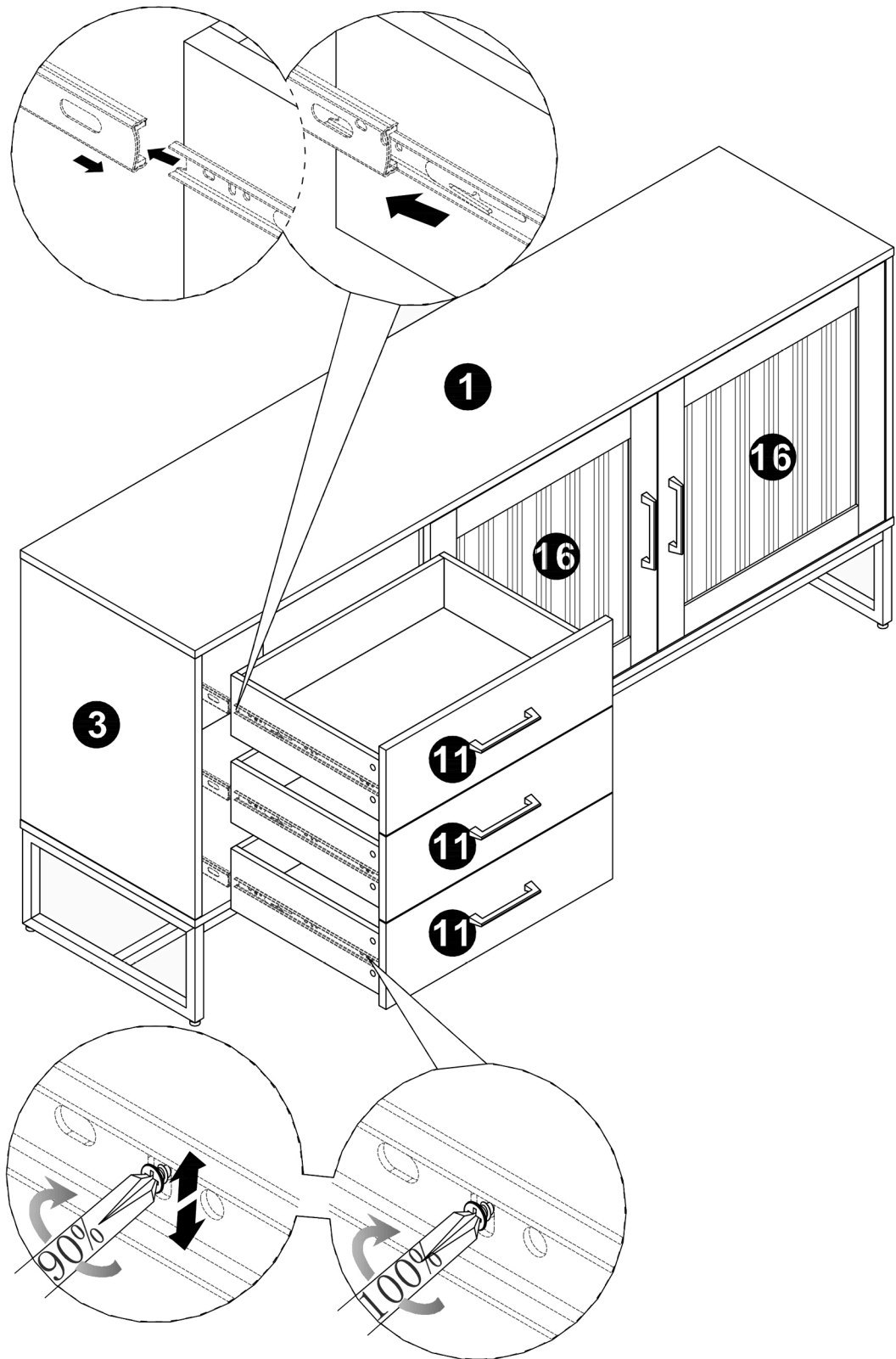
MILAN

Ref: SC-0013

KLAST

www.klasthome.com

STEP 15



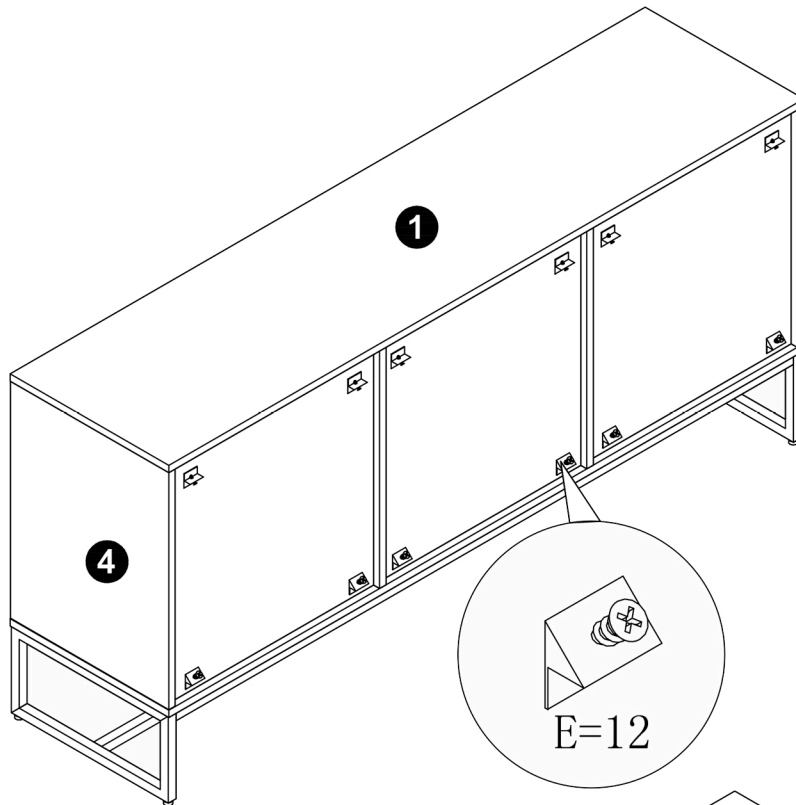
MILAN

Ref: SC-0013

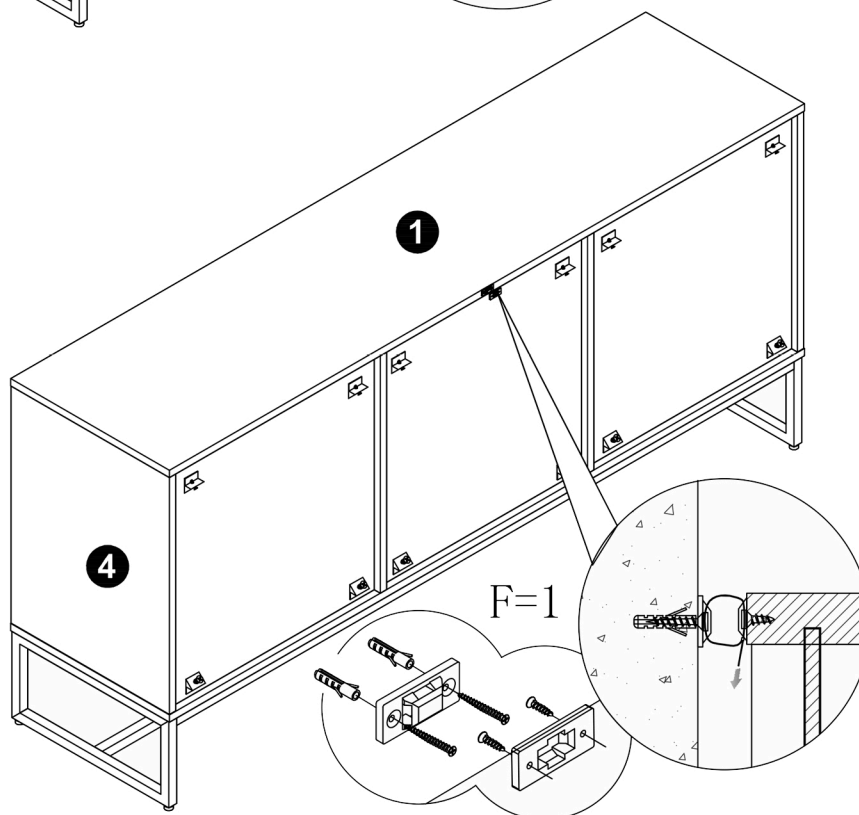
KLAST

www.klasthome.com

STEP 16



STEP 17



MILAN

Ref: SC-0013