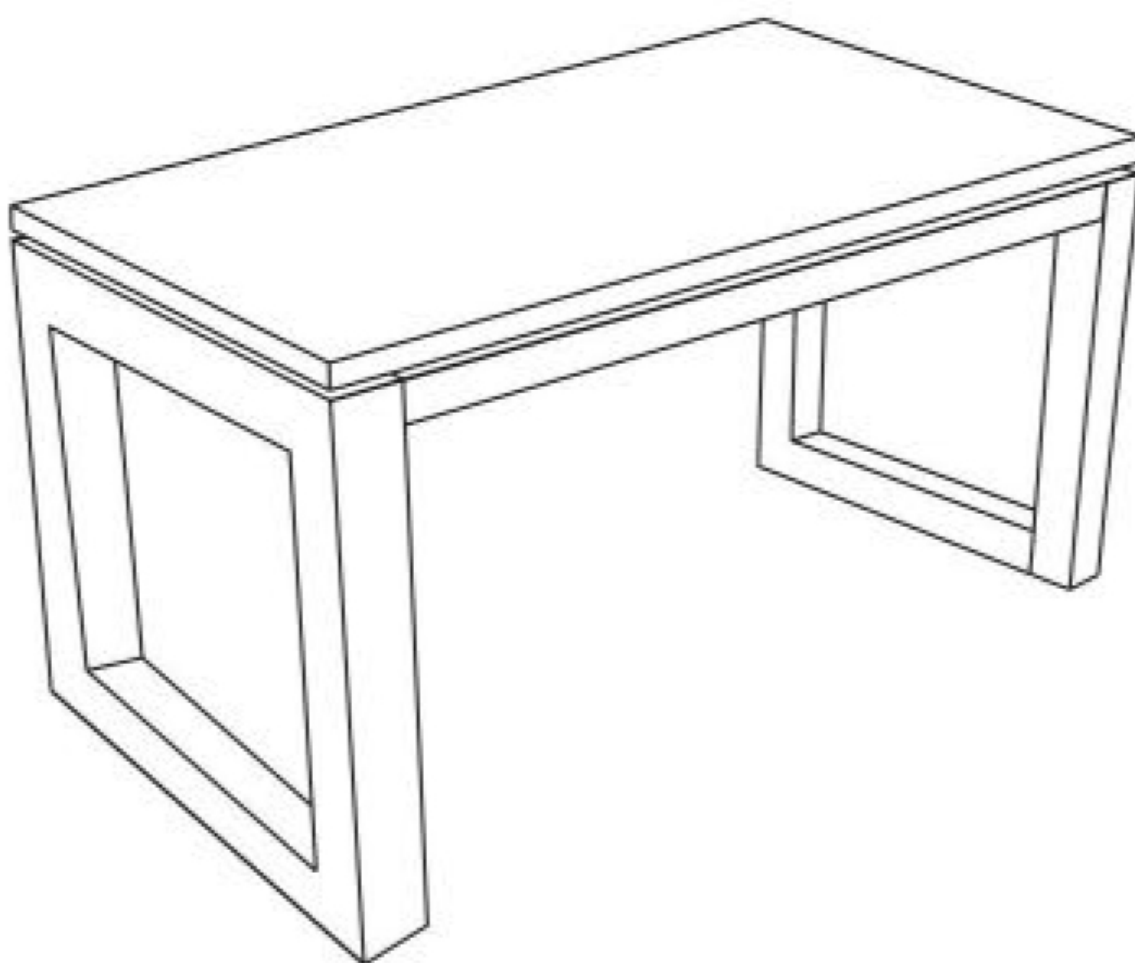


KLAST

www.klasthome.com



ALYS

Ref: GA-0006

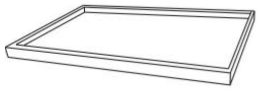
1/4

-V1.0-

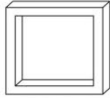
KLAST

www.klasthome.com

MATERIAL



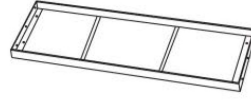
(A) x 1



(B) x 2



(C) x 2

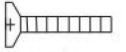


(D) x 1



8x16 mm

(E) x 8



8x20 mm

(F) x 8



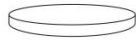
M8

(G) x 4



8x16 mm

(H) x 4



(I) x 4

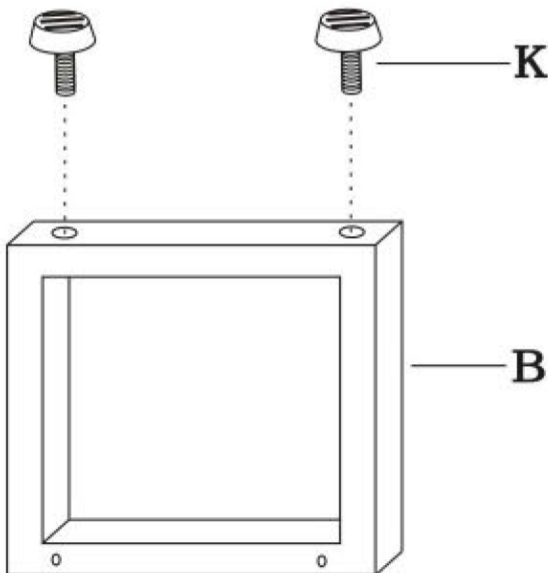


(J) x 1

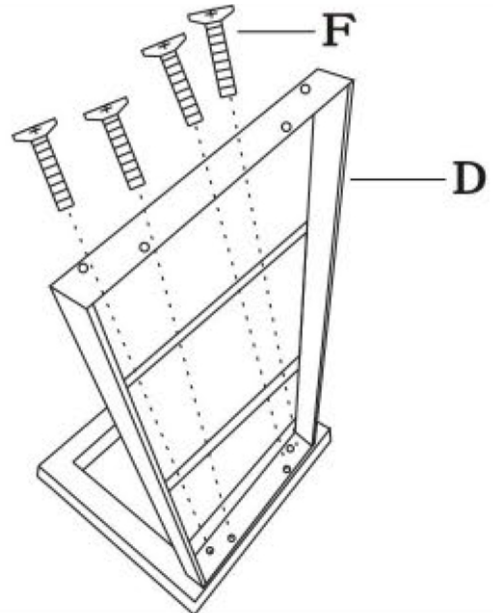


(K) x 4

STEP 1



STEP 2



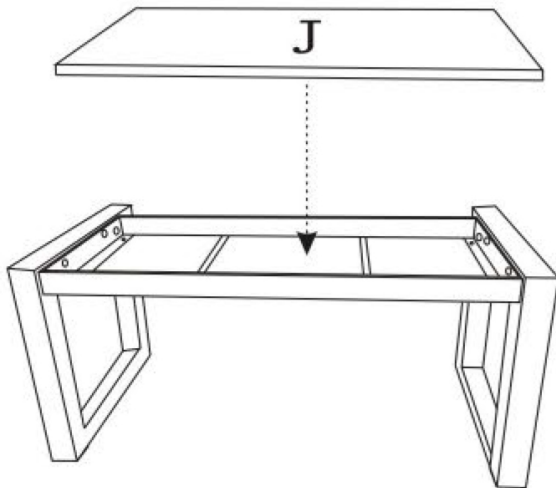
ALYS

Ref: GA-0006

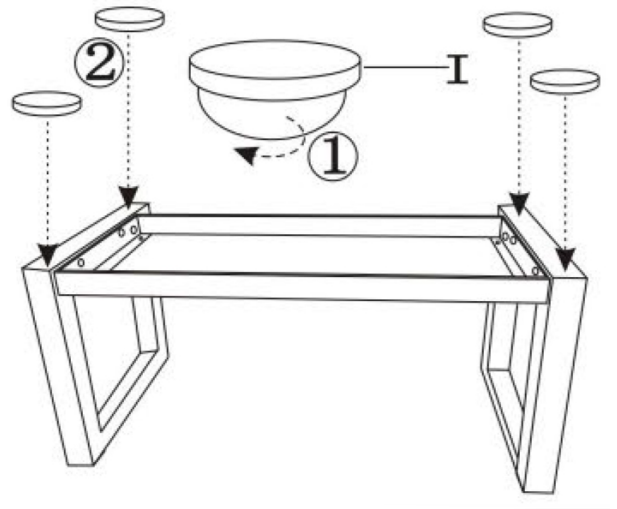
KLAST

www.klasthome.com

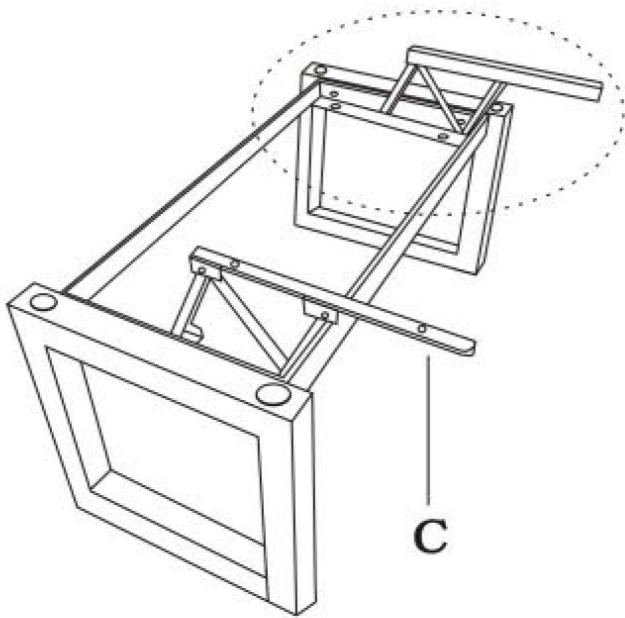
STEP 3



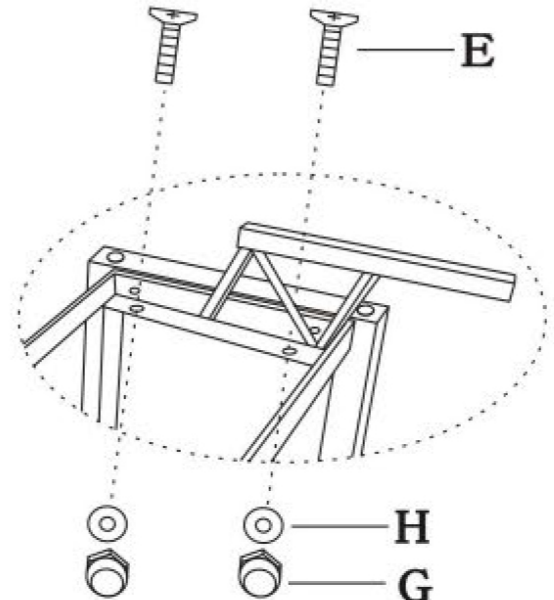
STEP 4



STEP 5



STEP 6



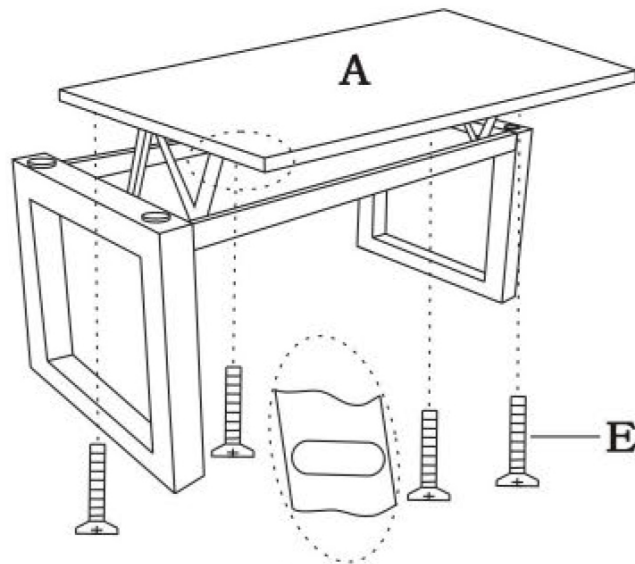
ALYS

Ref: GA-0006

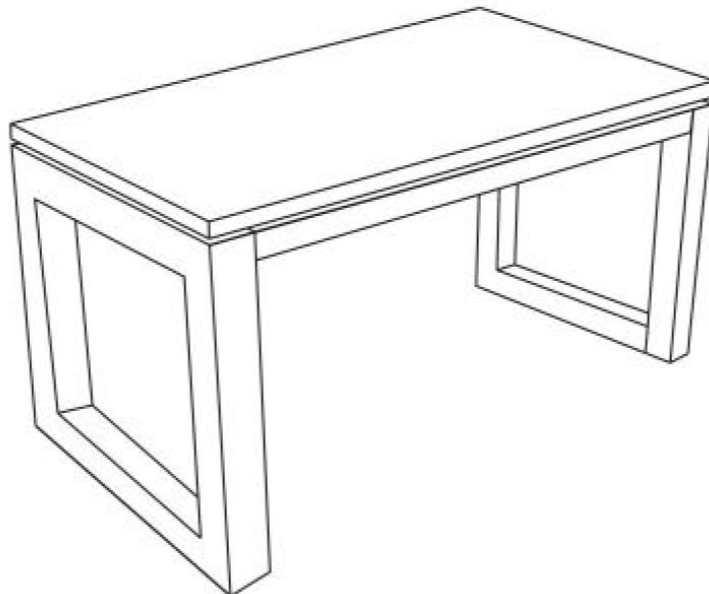
KLAST

www.klasthome.com

STEP 7



STEP 8



ALYS

Ref: GA-0006