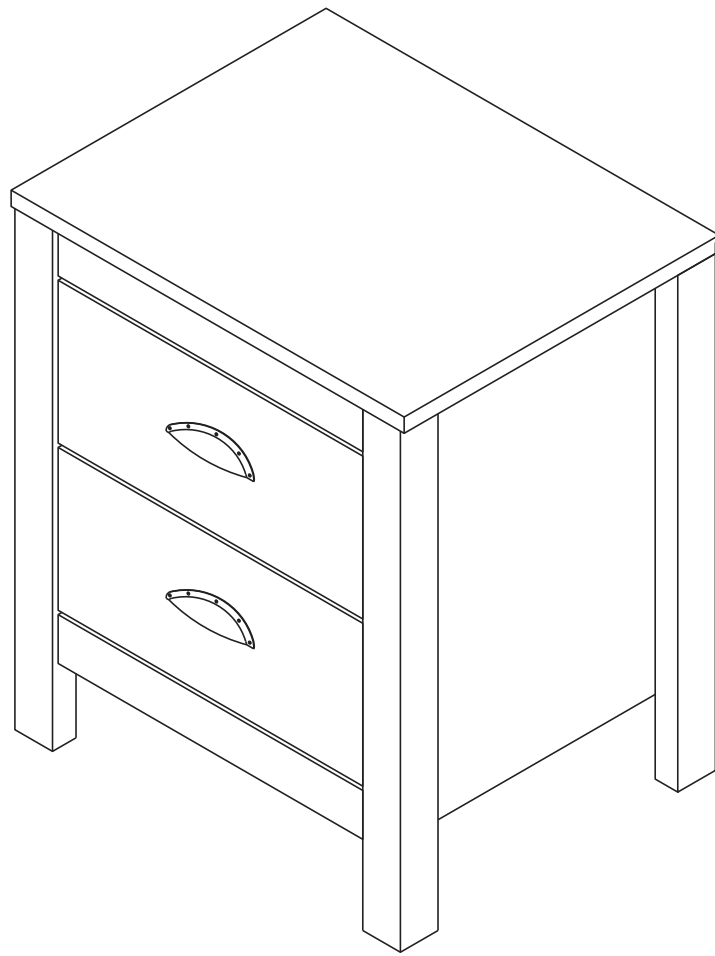


# KLAST

[www.klasthome.com](http://www.klasthome.com)



OAK

Ref: ET-0001

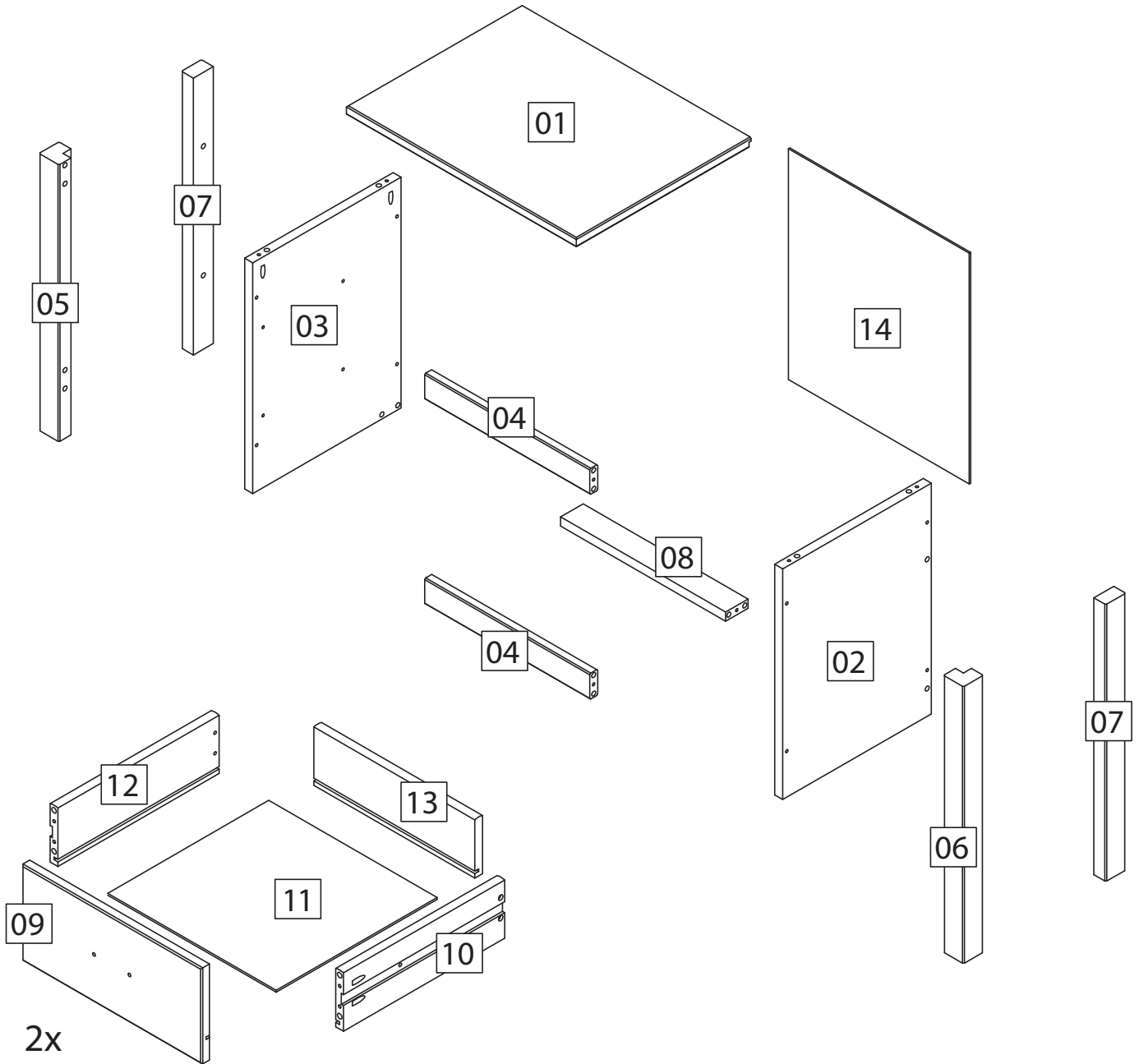
1/8

-V1.0-

# KLAST

www.klasthome.com

## MATERIAL



# OAK

Ref: ET-0001

2/8

-V1.0-

# KLAST

www.klasthome.com

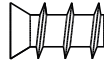
## MATERIAL



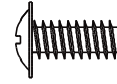
Ø8x30 mm  
A x28 PC



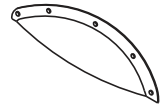
4x30 mm  
B x34 PC



6x8 mm  
C x8 PC



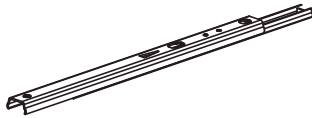
M4x12 mm  
D x4 PC



E x2 PC



F x12 PC



G x4 PC



M4x18 mm  
H x4 PC

## OAK

Ref: ET-0001

3/8

-V1.0-

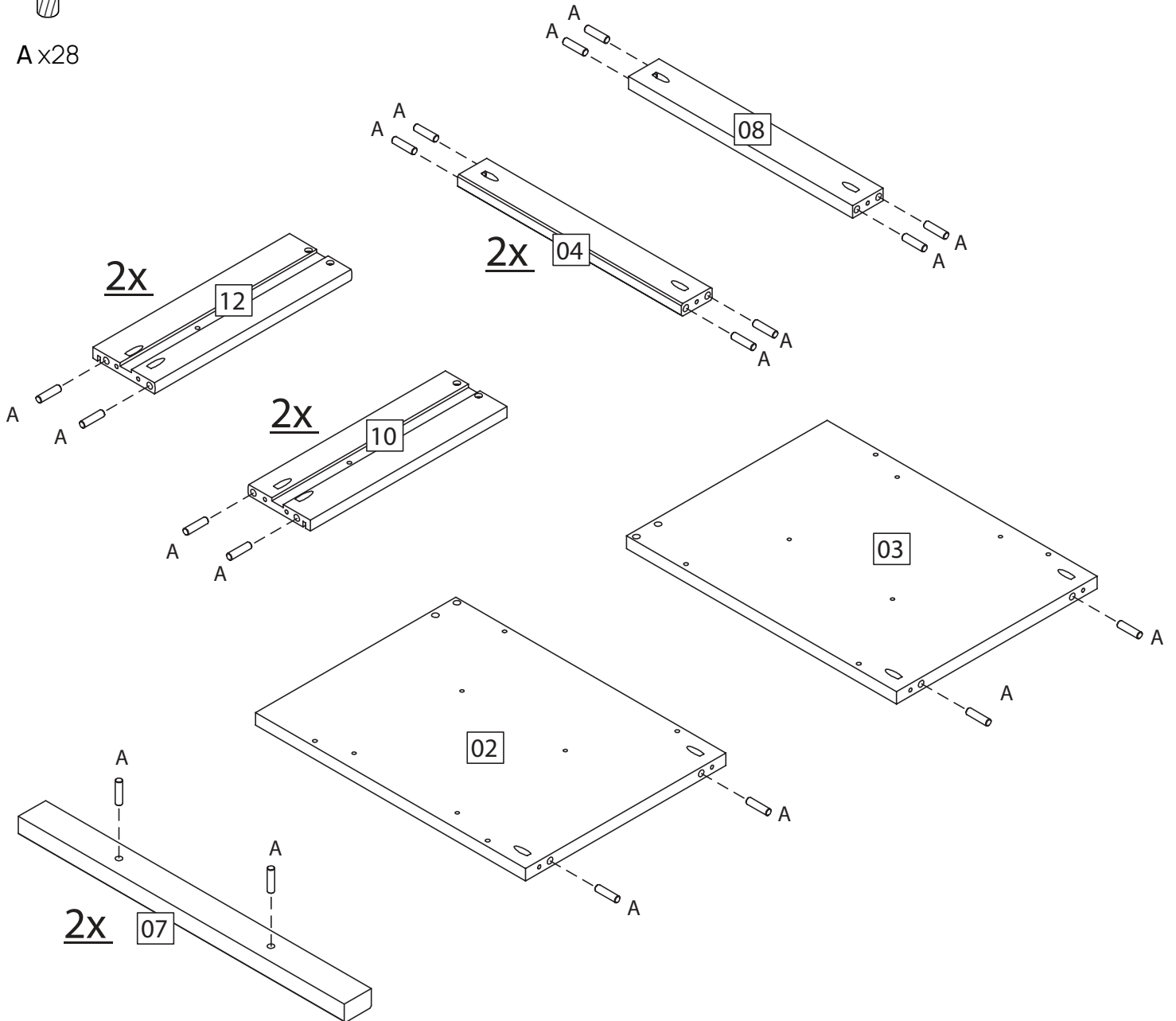
# KLAST

www.klathome.com

## STEP 1



A x 28



# OAK

Ref: ET-0001

4/8

-V1.0-

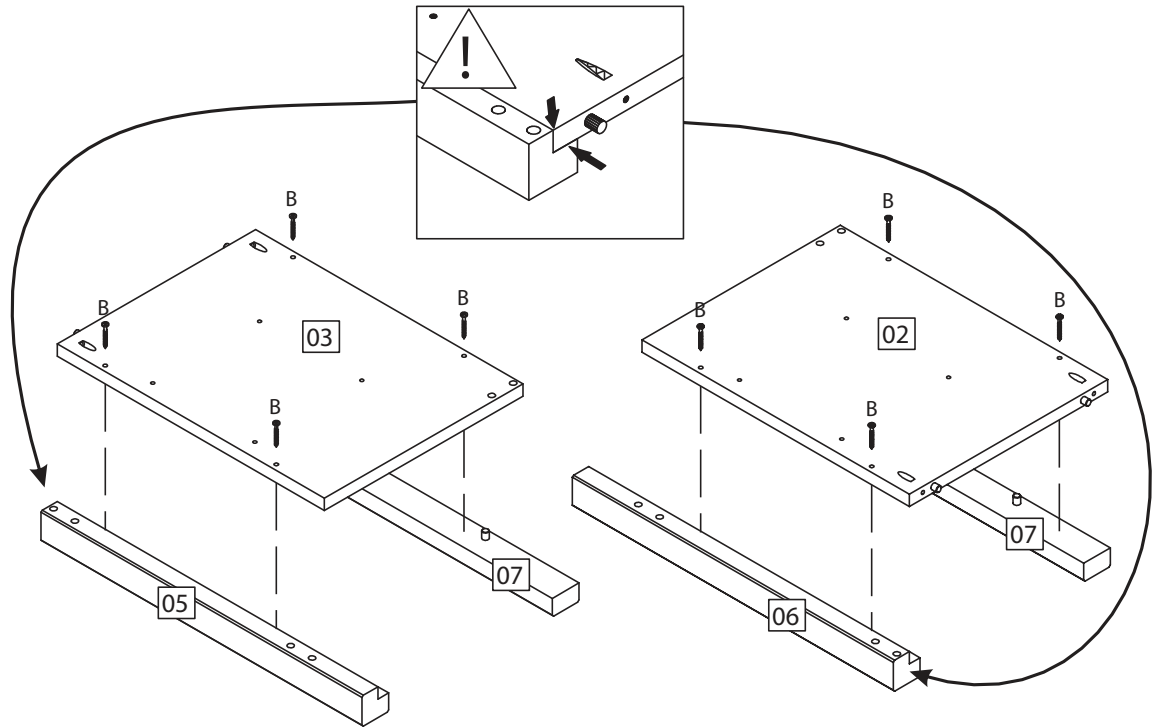
# KLAST

www.klasthome.com

## STEP 2



B x 8



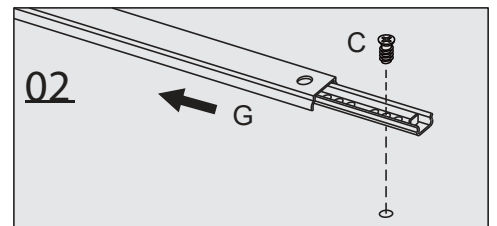
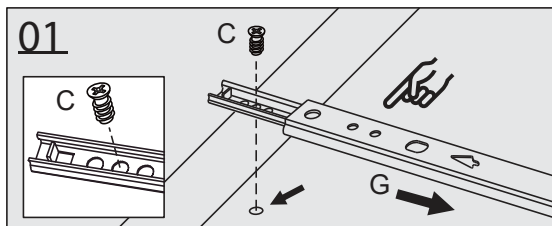
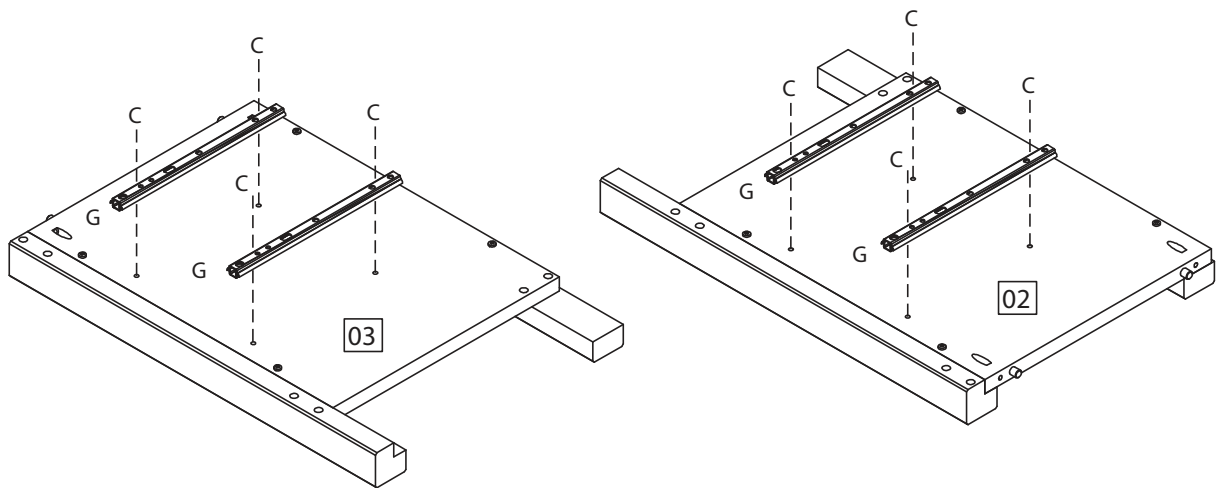
## STEP 3



G x 4



C x 8



# OAK

Ref: ET-0001

5/8

-V1.0-

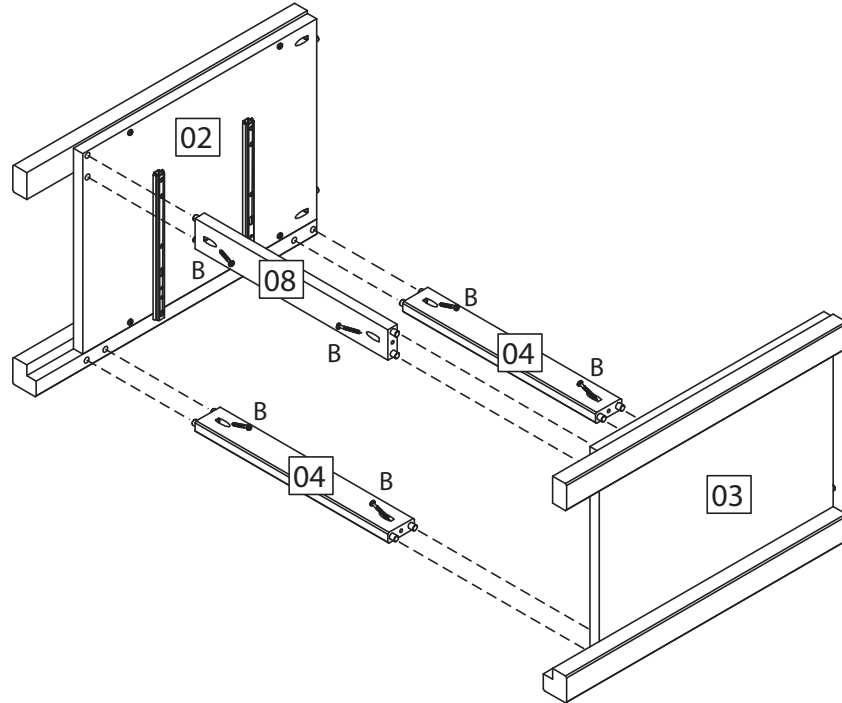
# KLAST

www.klasthome.com

## STEP 4



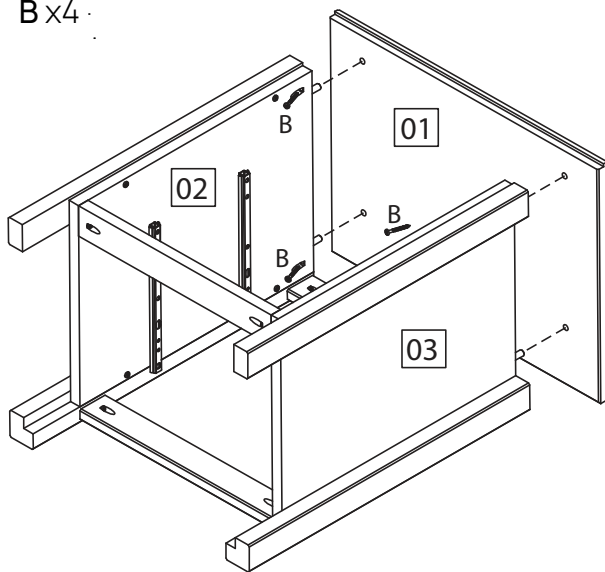
B x 6



## STEP 5



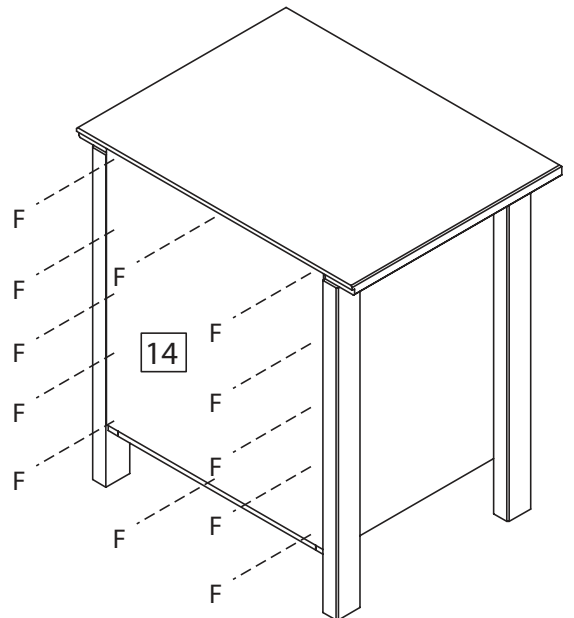
B x 4



## STEP 6



F x 12



# OAK

Ref: ET-0001

# KLAST

www.klathome.com

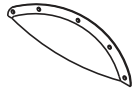
## STEP 7



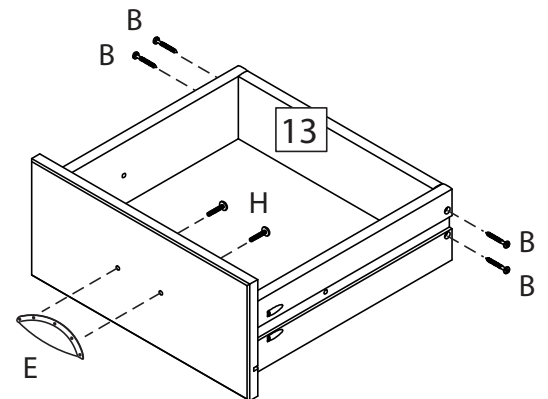
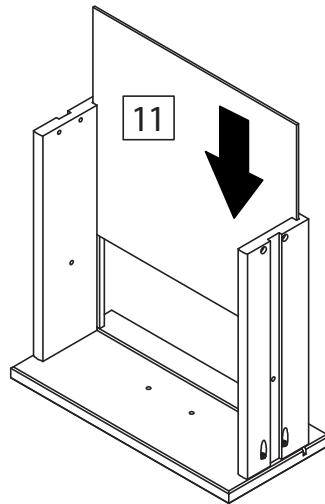
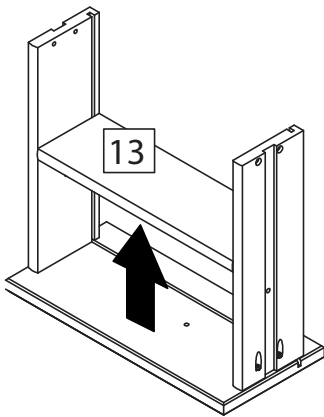
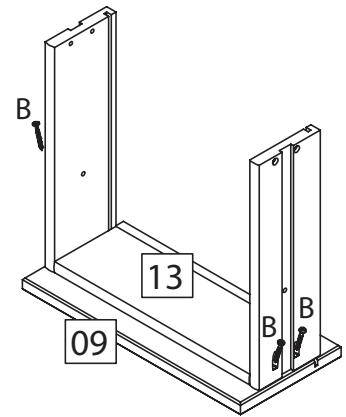
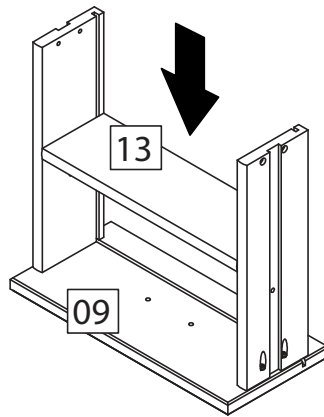
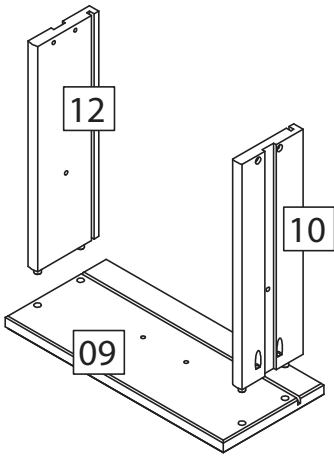
Bx16



Hx4



E x2



# OAK

Ref: ET-0001

7/8

-V1.0-

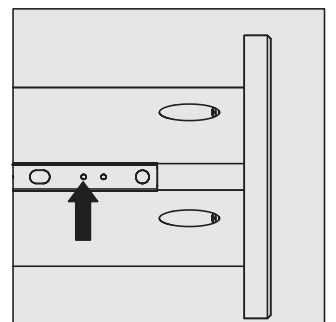
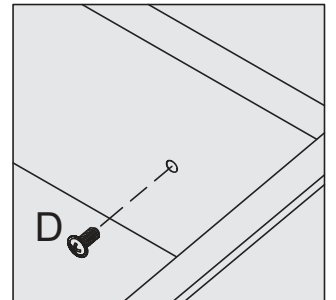
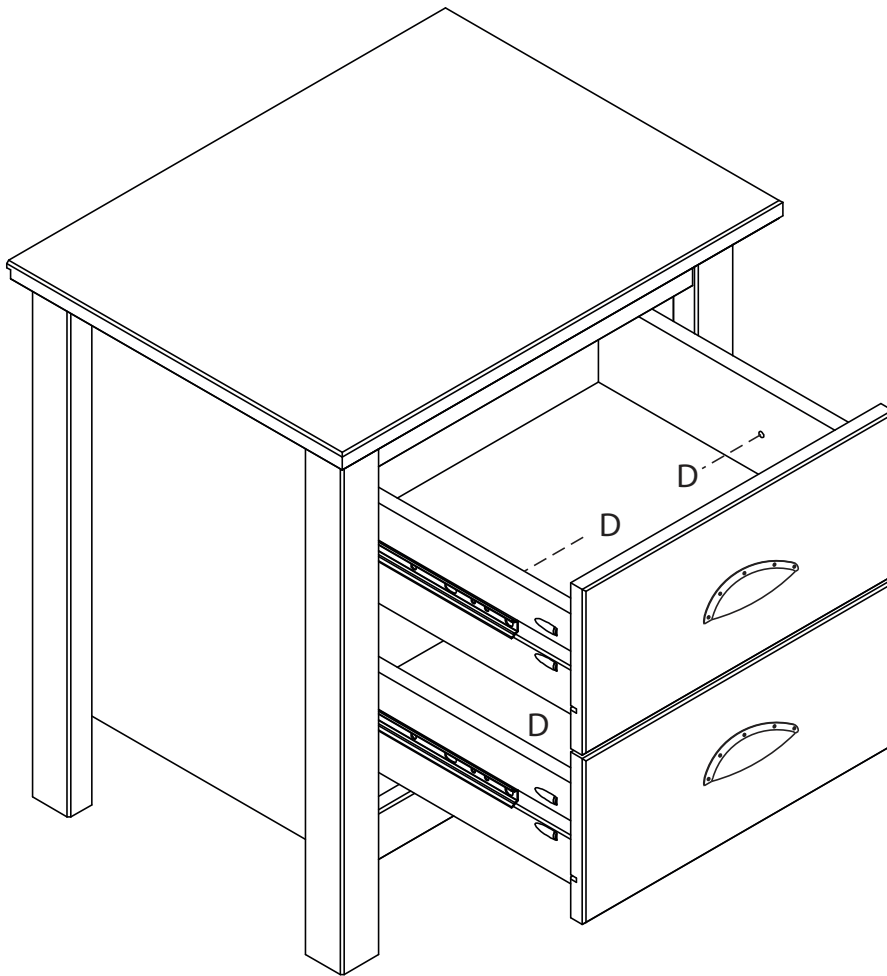
# KLAST

www.klasthome.com

## STEP 8



Dx4



# OAK

Ref: ET-0001

8/8

-V1.0-